

**STIHL MH 445, MH 445 R
MH 560, MH 585, MH 685**

STIHL



- EN** Instruction manual
- NO** Bruksanvisning
- SV** Bruksanvisning
- FI** Käyttöopas
- DA** Betjeningsvejledning
- SL** Navodila za uporabo
- SK** Návod na obsluhu
- TR** Kullanım kılavuzu
- HU** Használati útmutató
- SR** Uputstvo za upotrebu
- HR** Upute za uporabu
- BG** Инструкция за експлоатация
- UK** Посібник з експлуатації
- ET** Kasutusjuhend
- MK** Упатство за употреба
- AZ** İstifadə üzrə təlimat
- KK** Пайдаланушының нұсқаулығы

MH 445.0

MH 445.0 R

MH 560.0

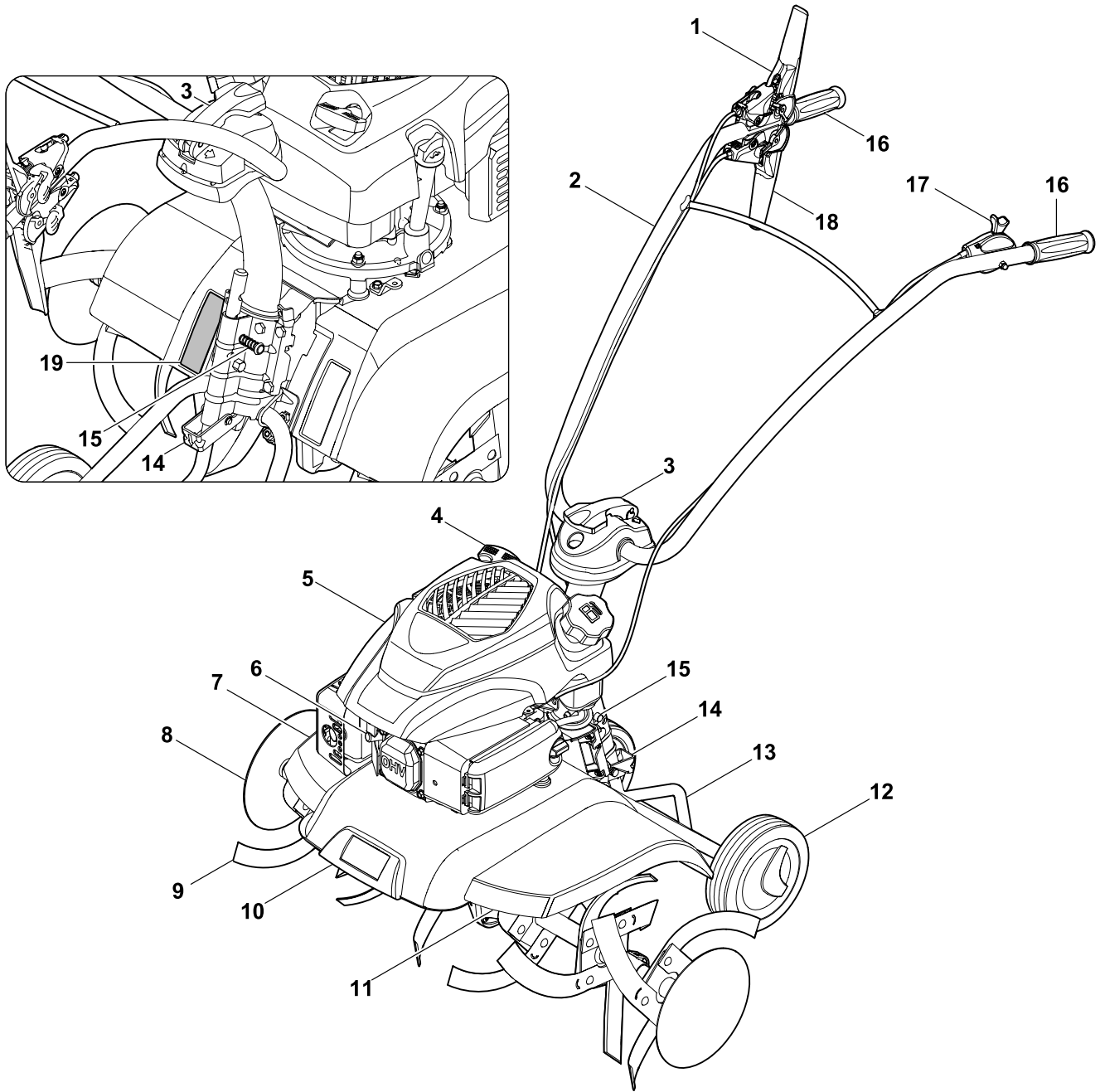
MH 585.0

MH 685.0

B

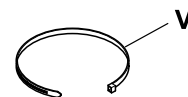
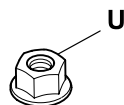
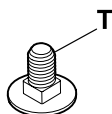
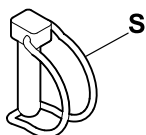
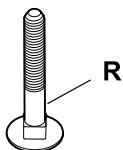
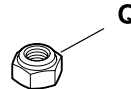
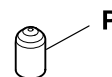
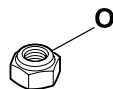
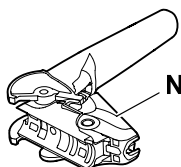
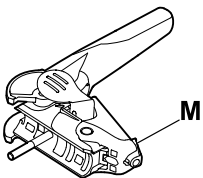
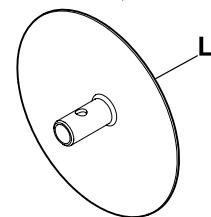
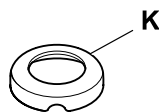
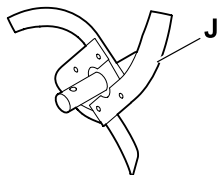
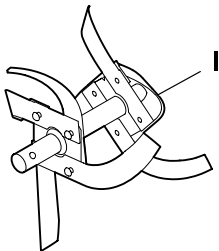
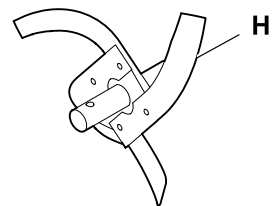
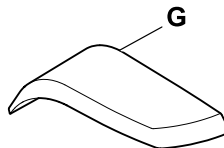
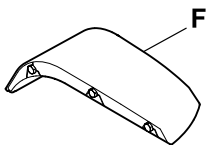
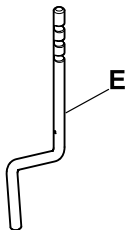
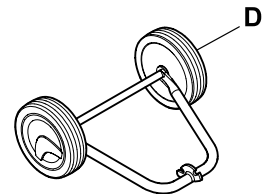
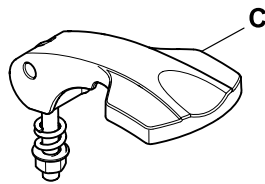
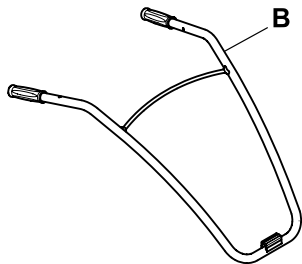
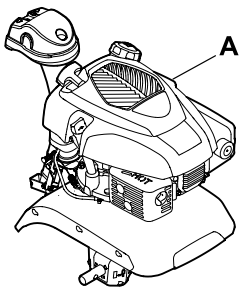
INT 2

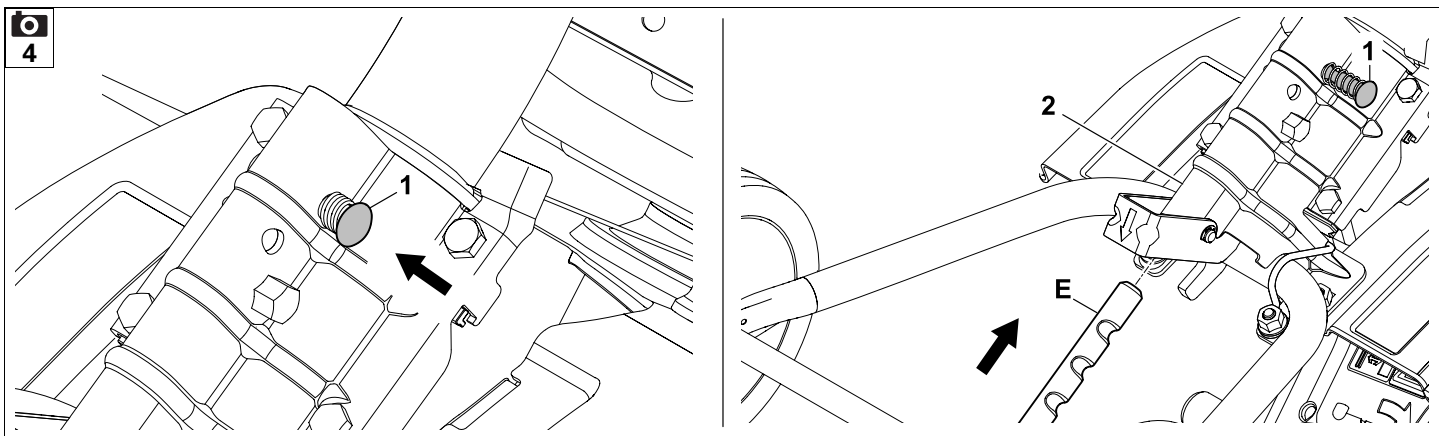
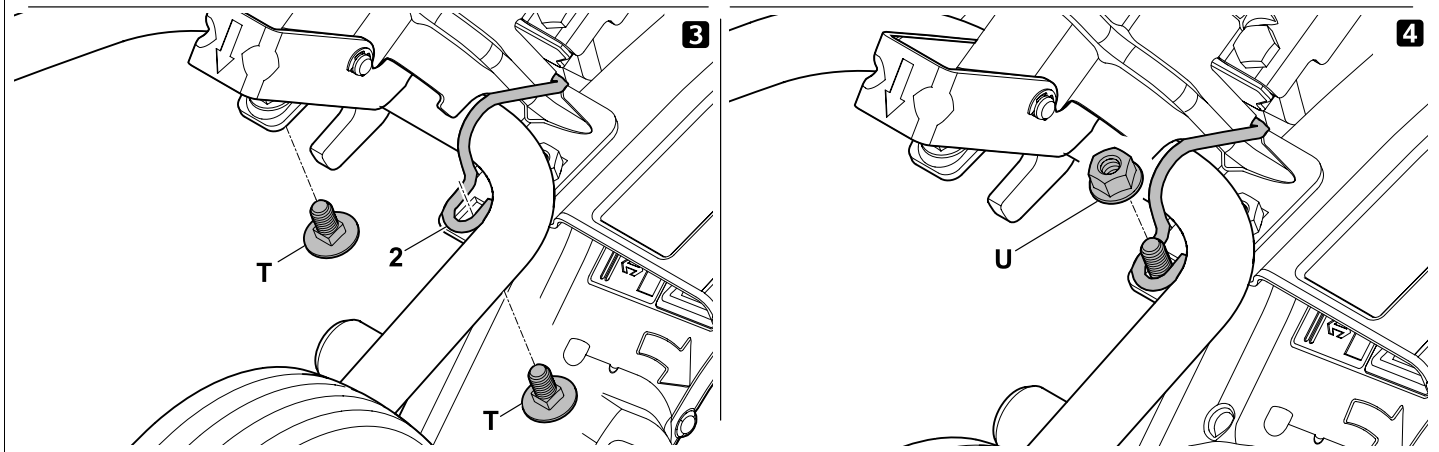
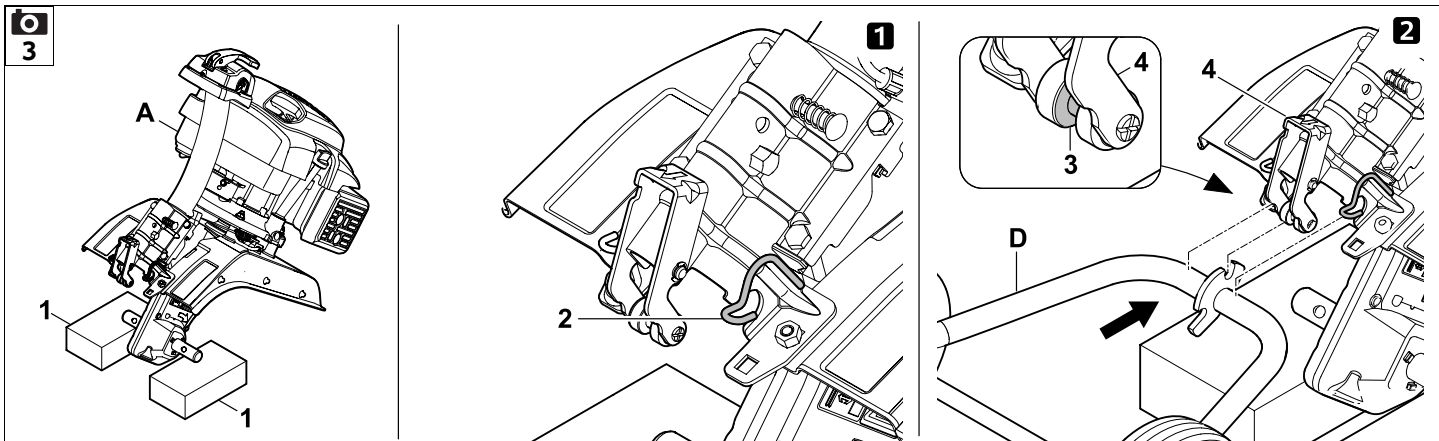


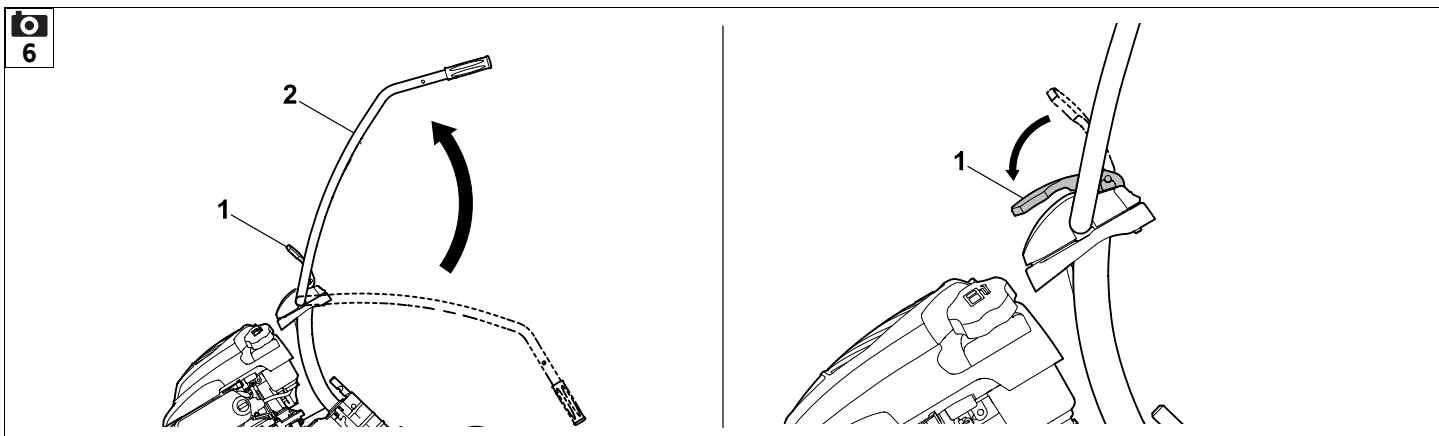
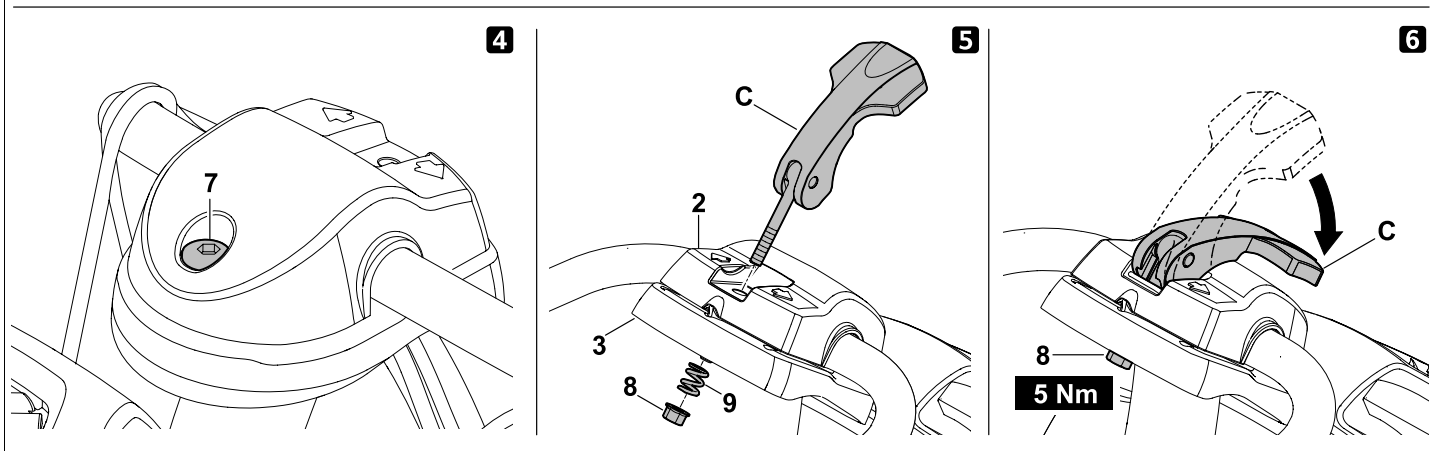
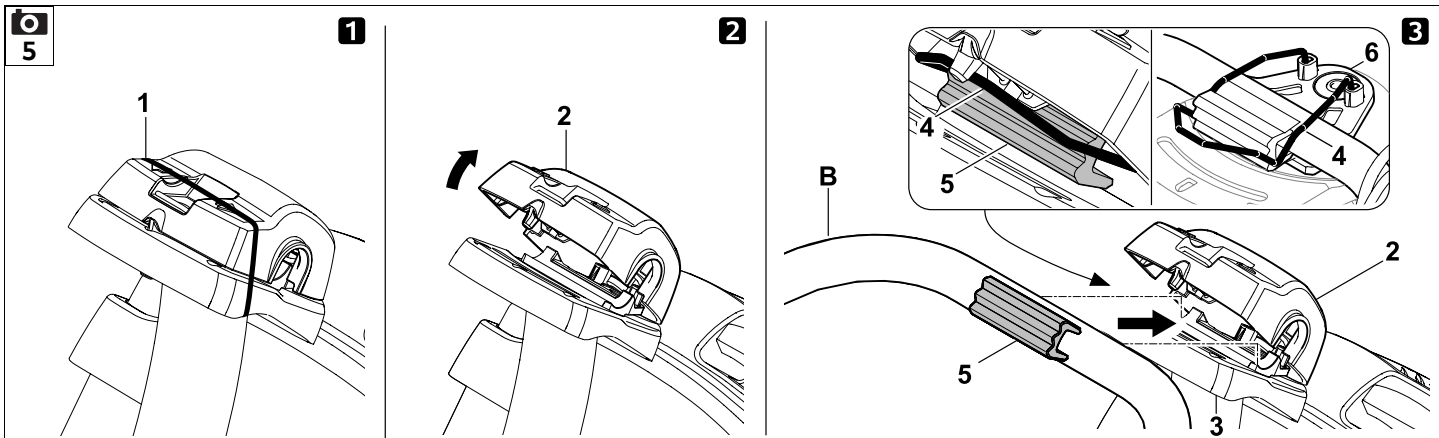


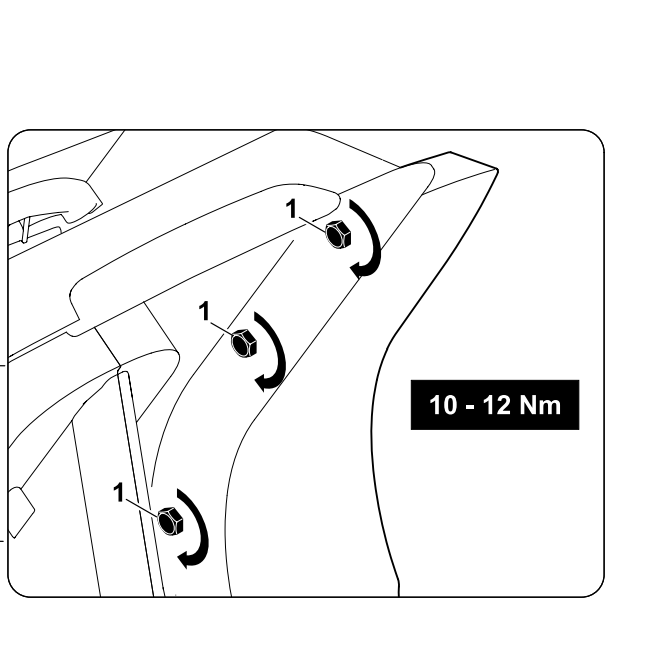
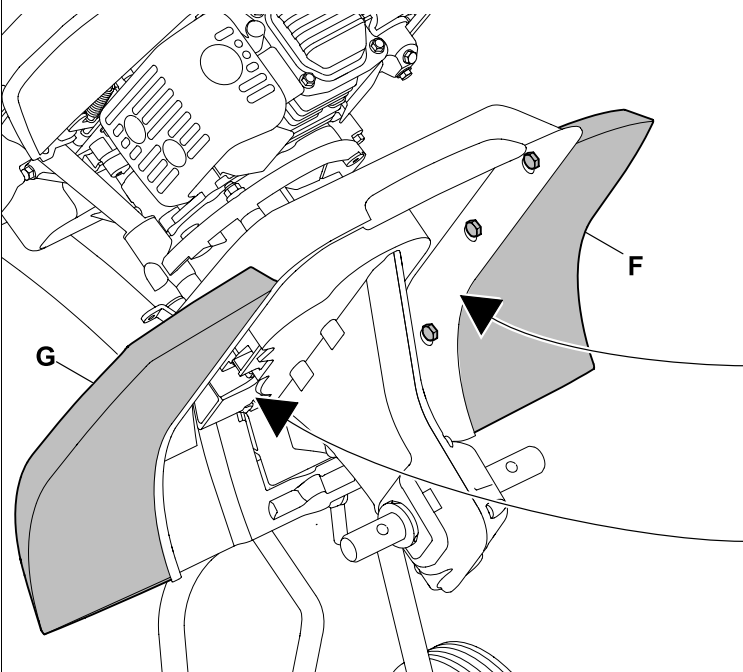
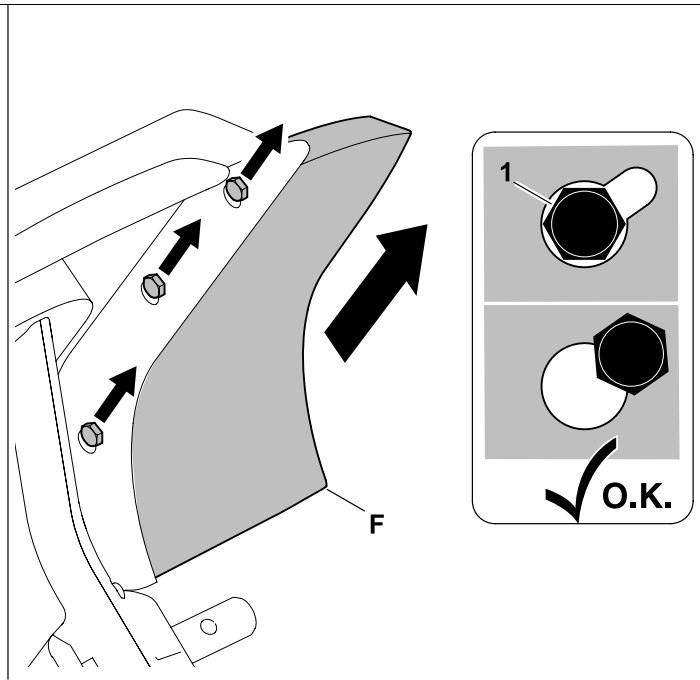
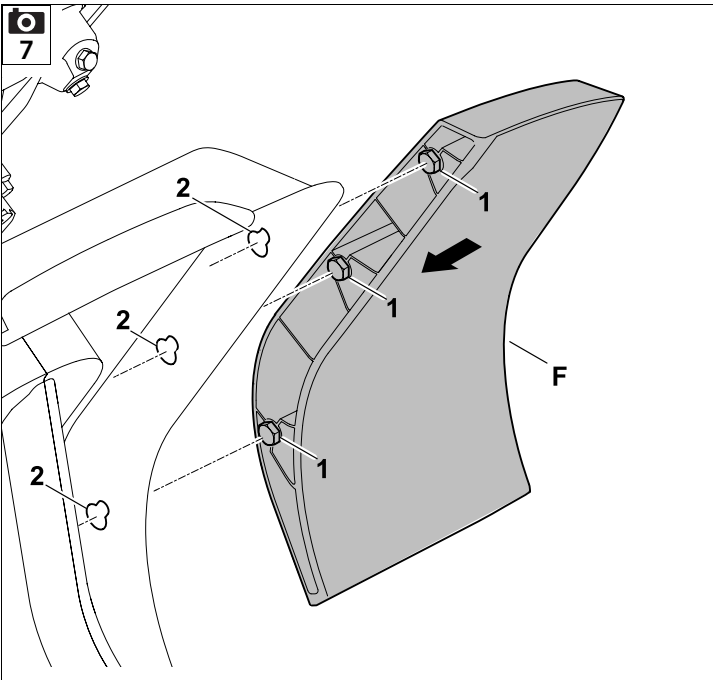


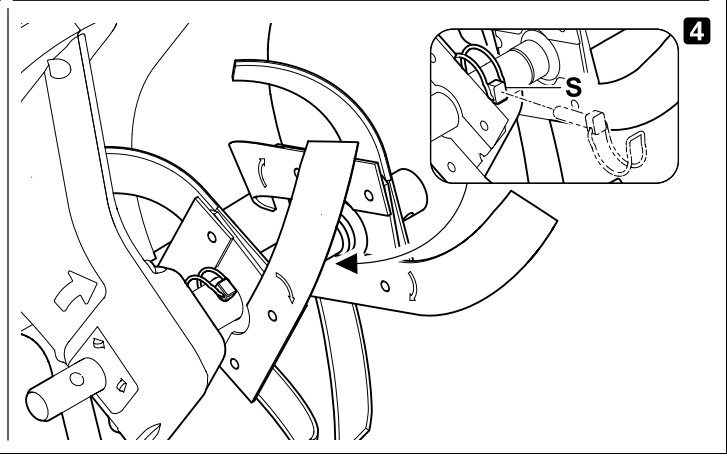
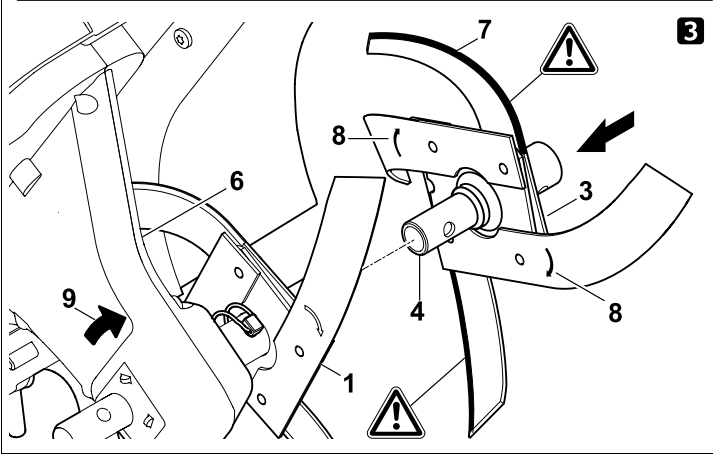
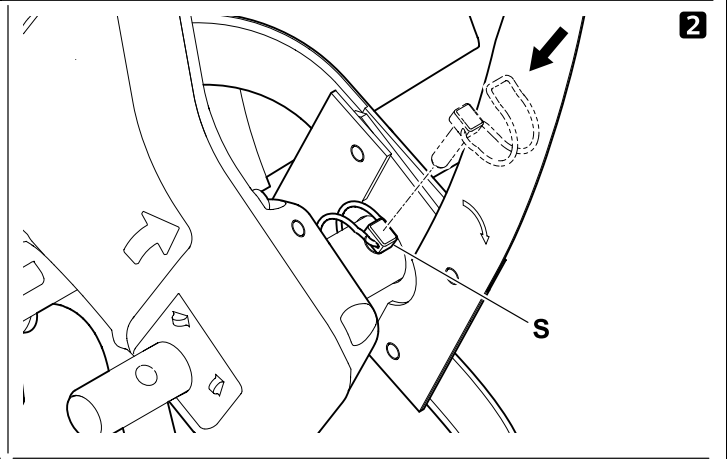
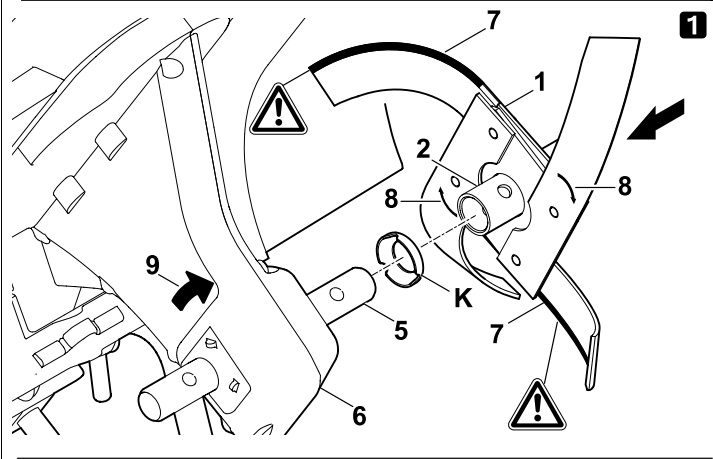
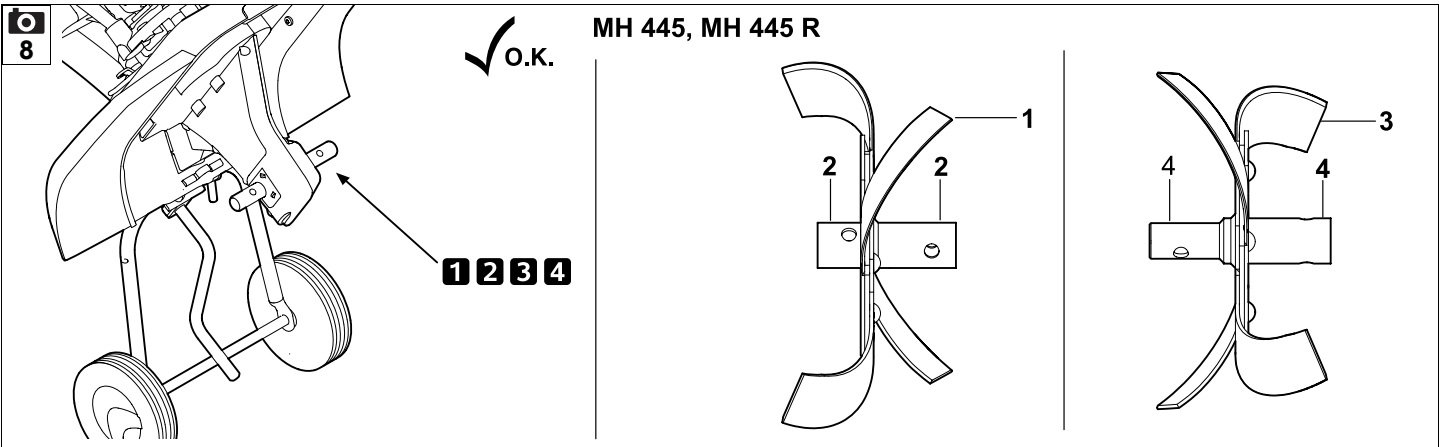
2

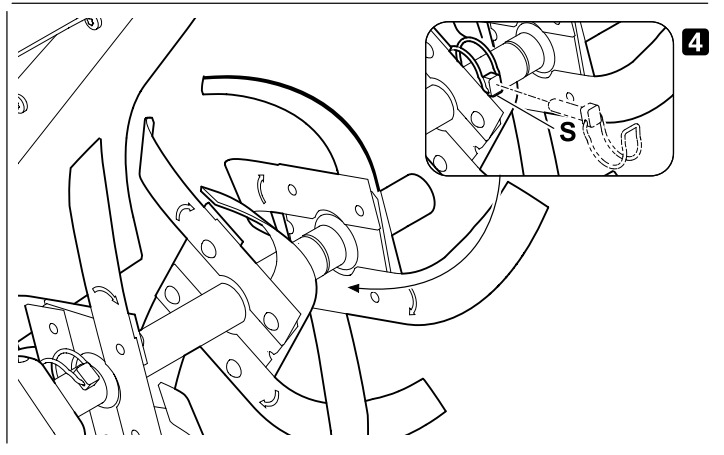
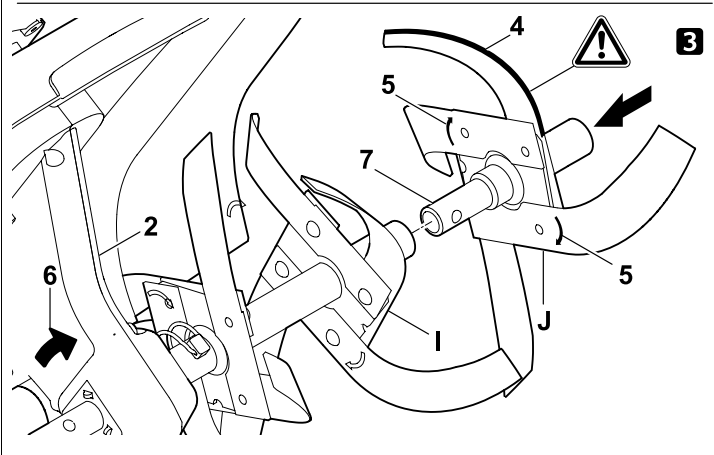
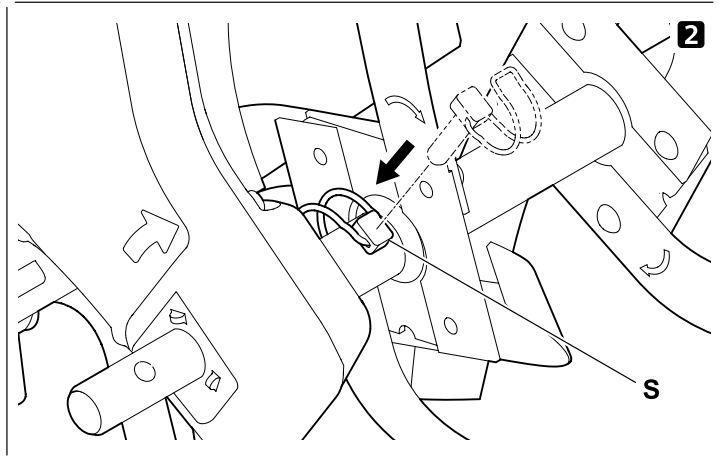
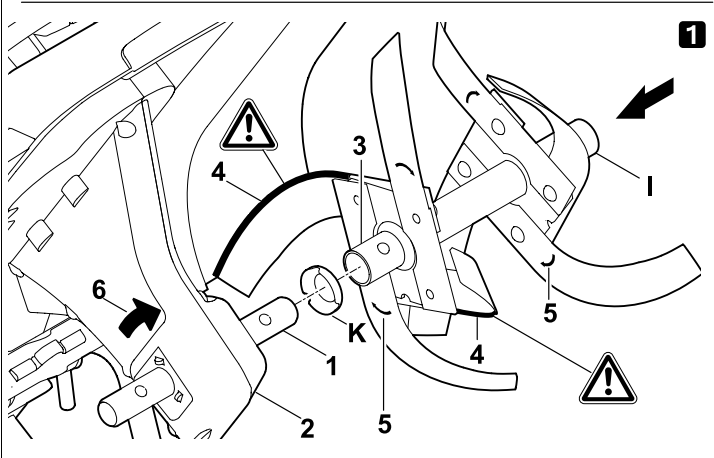
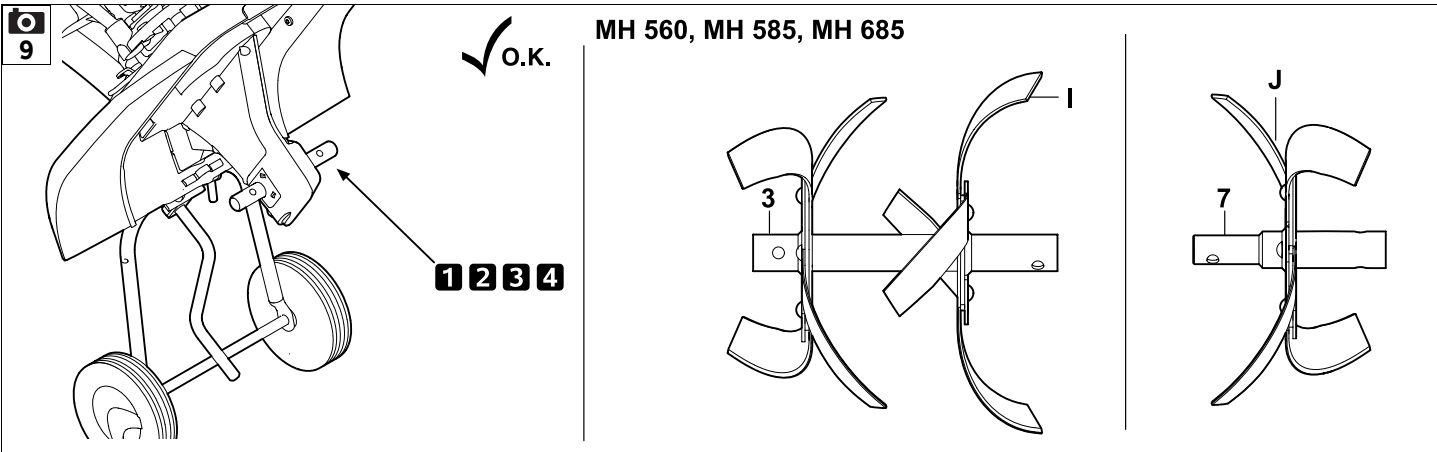


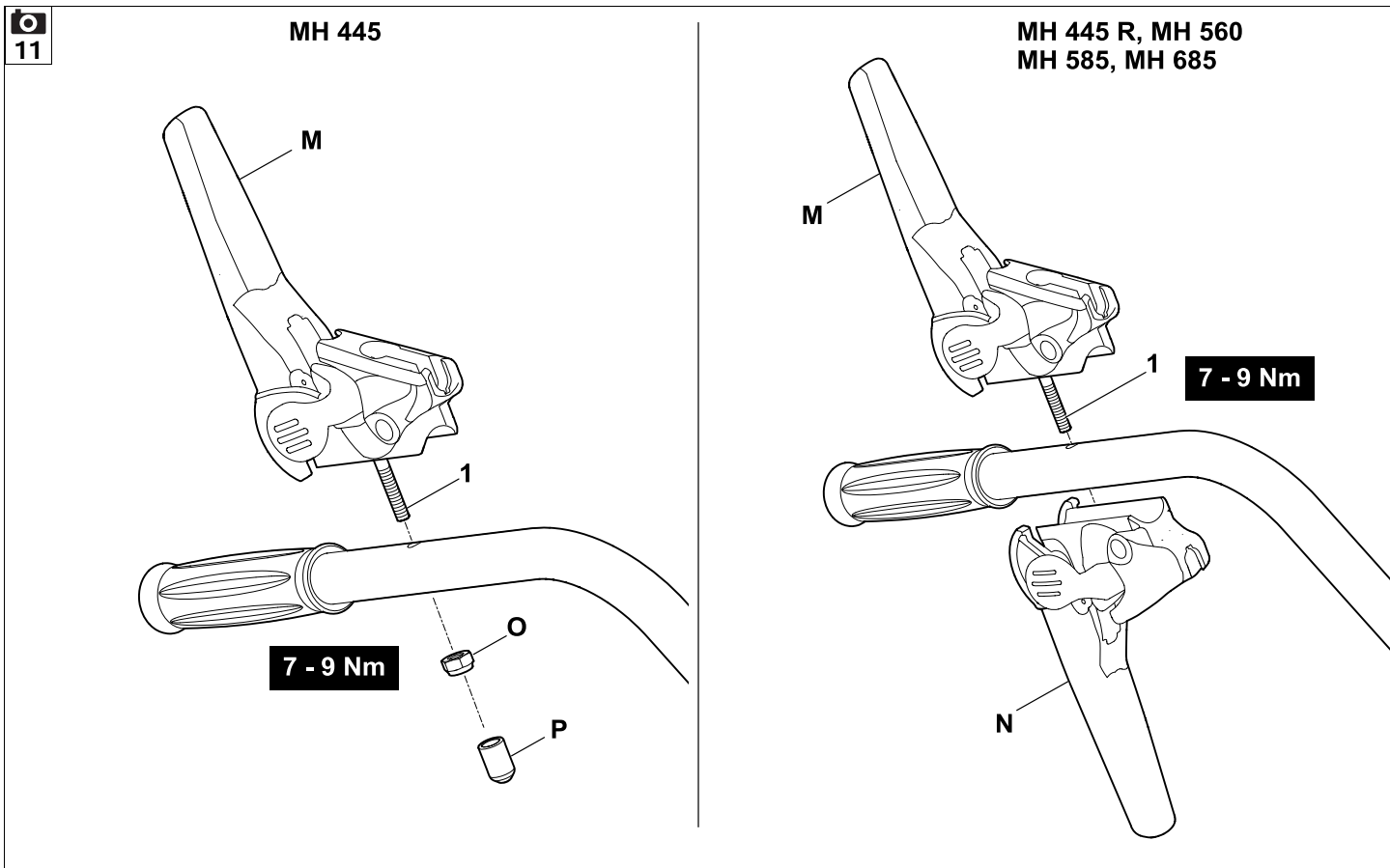
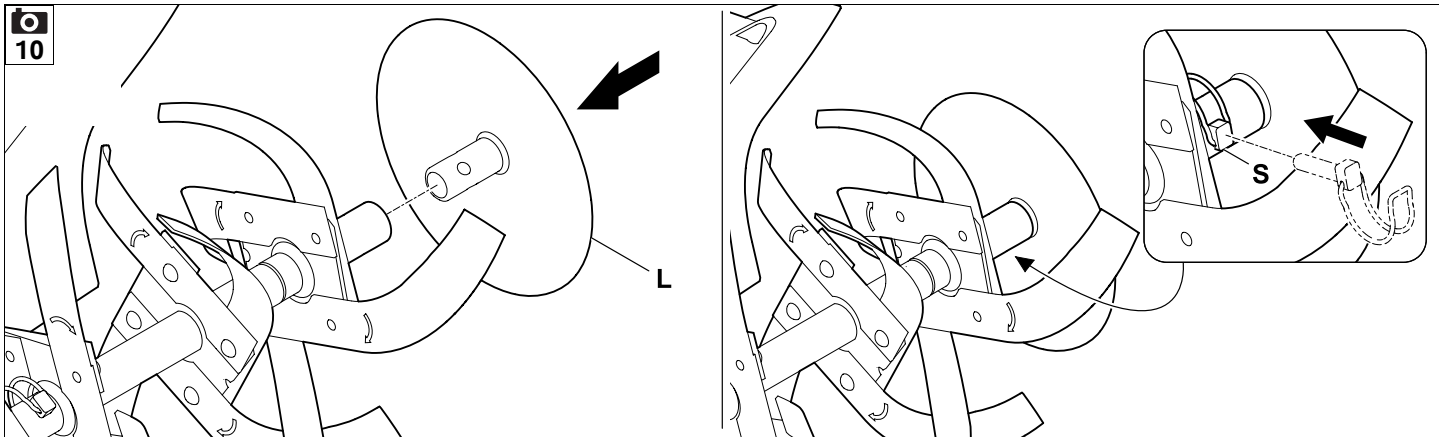




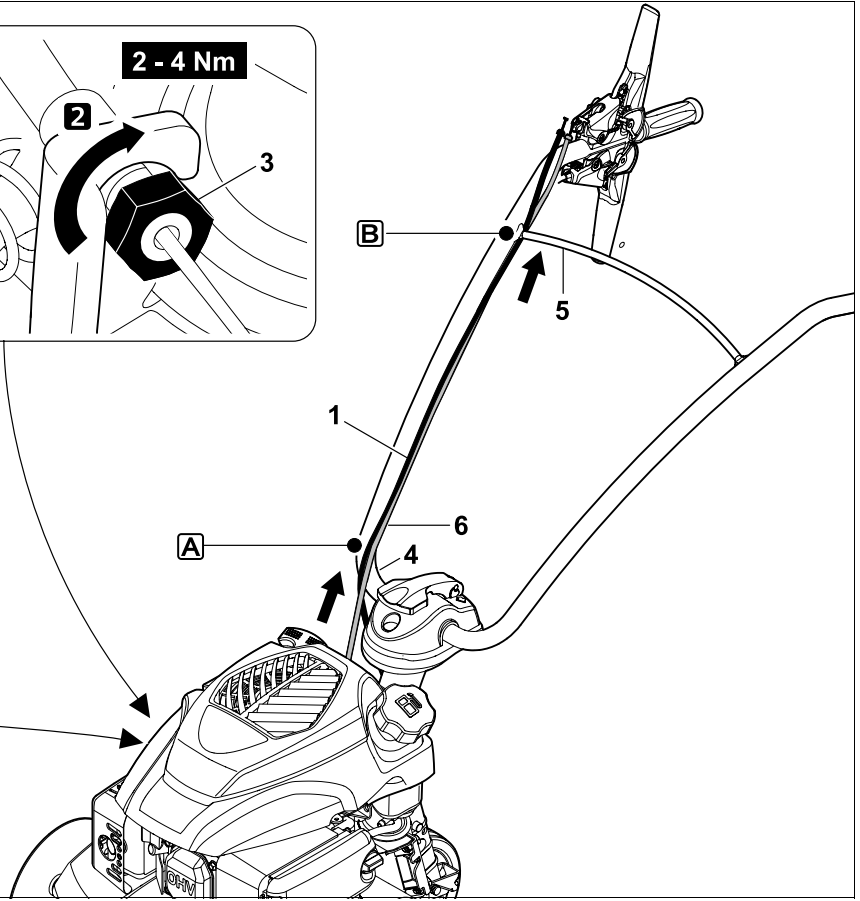
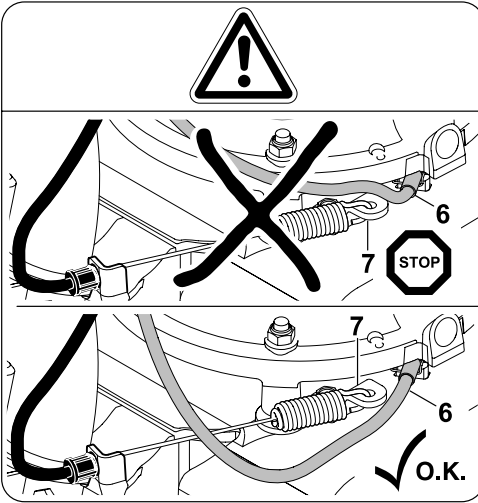
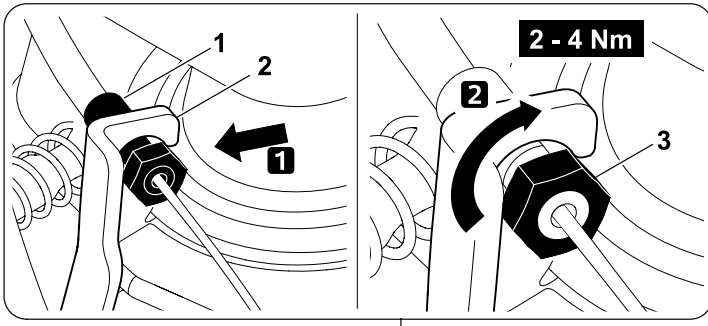




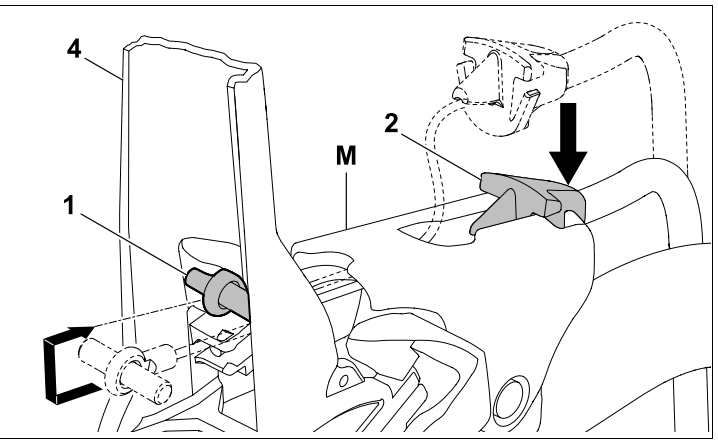
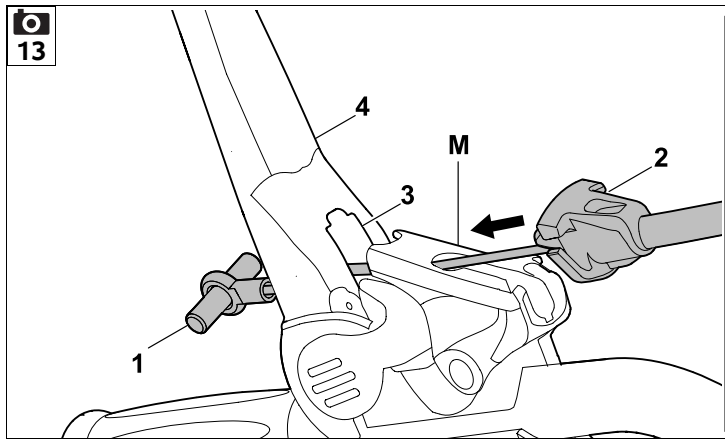


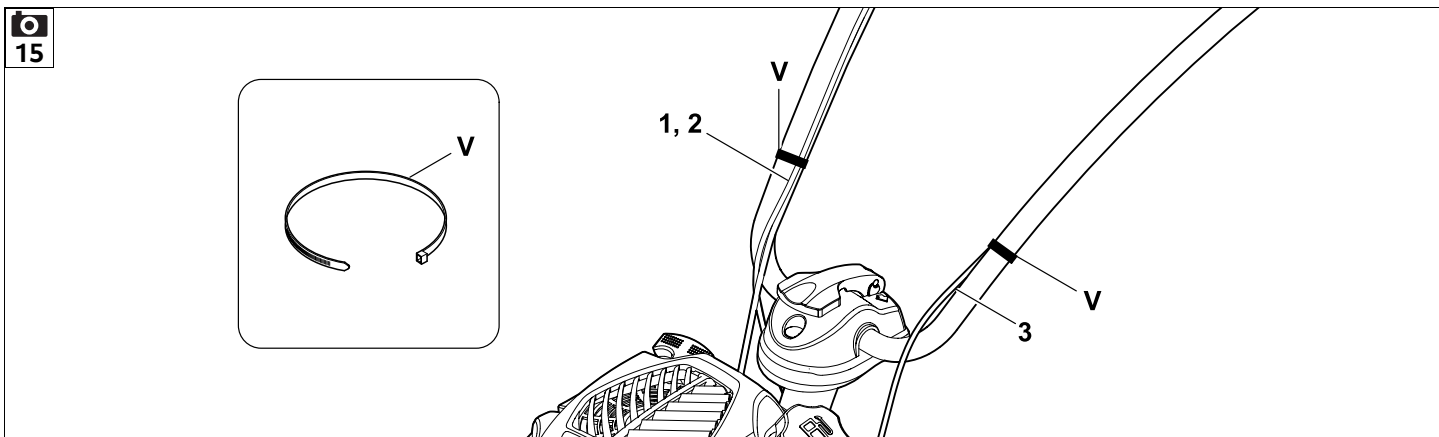
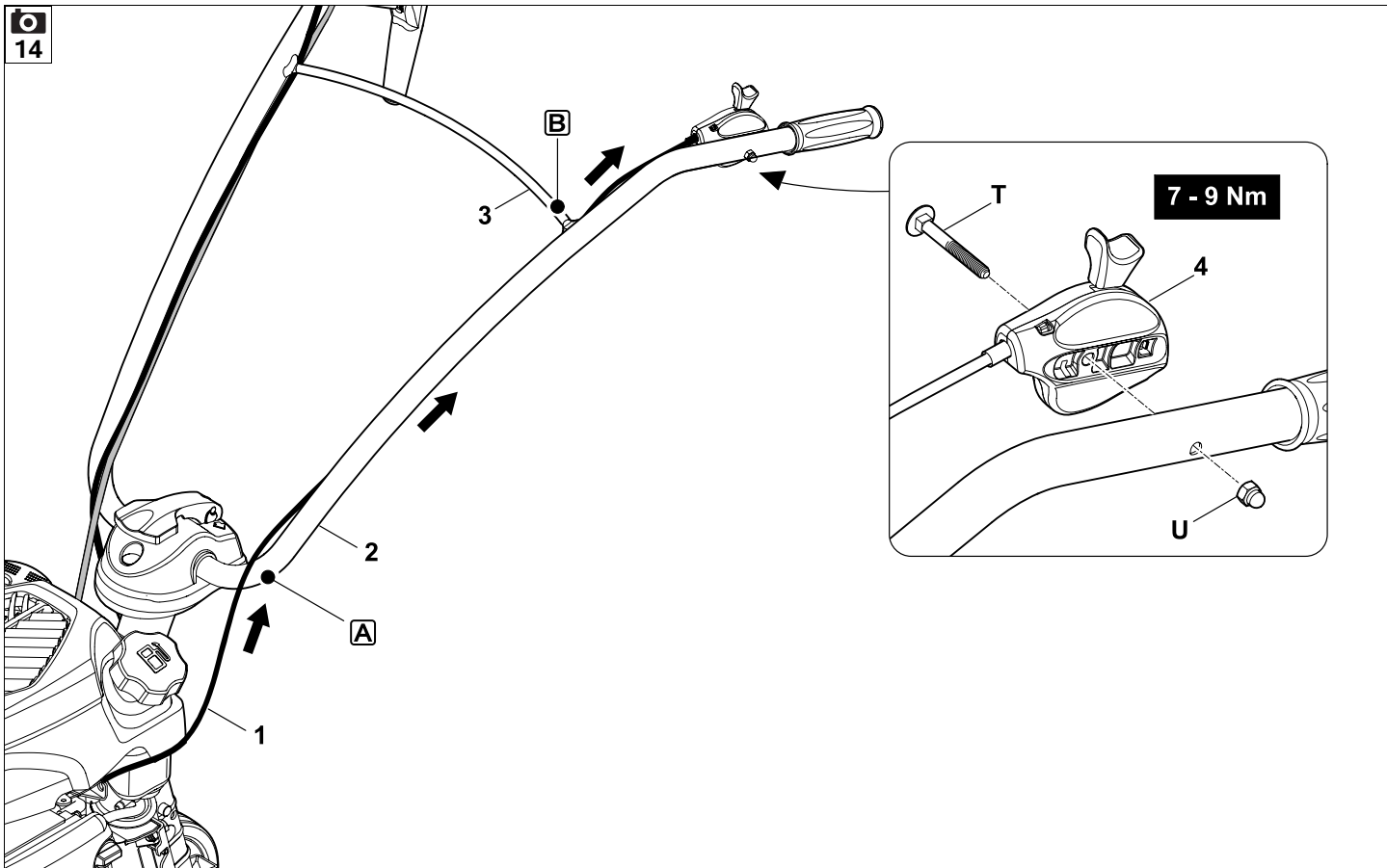


12

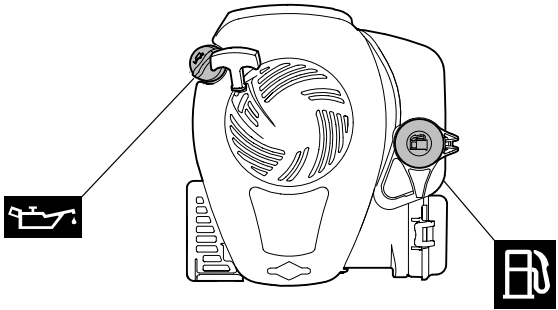


13

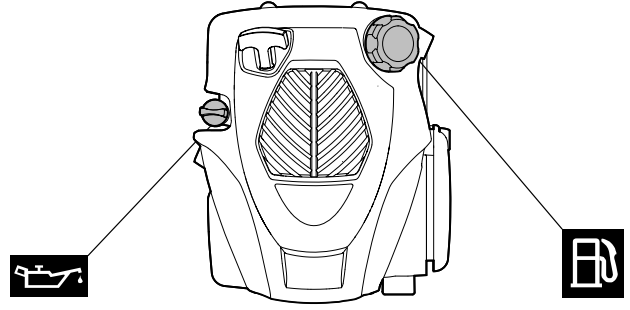




16

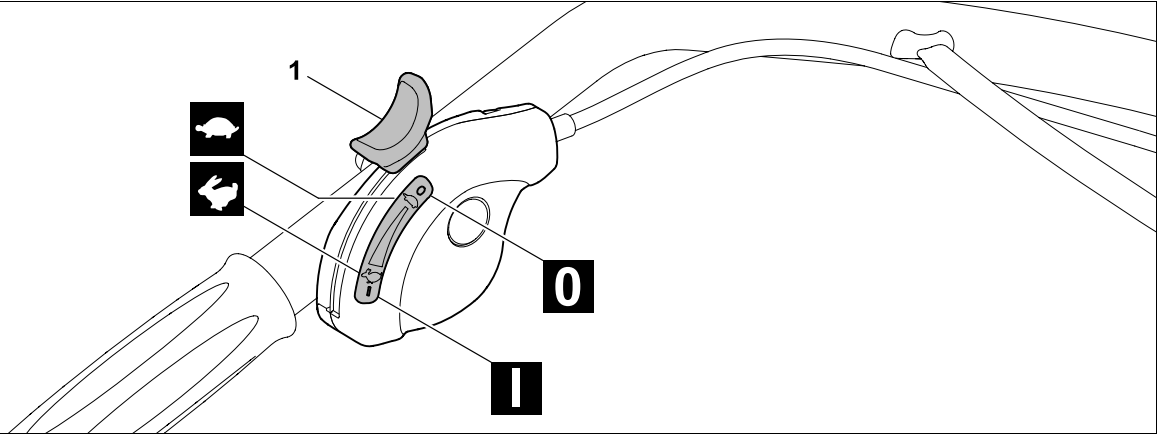


MH 445, MH 445 R

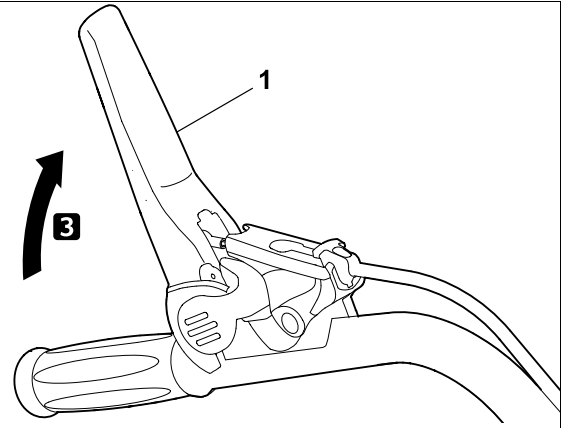
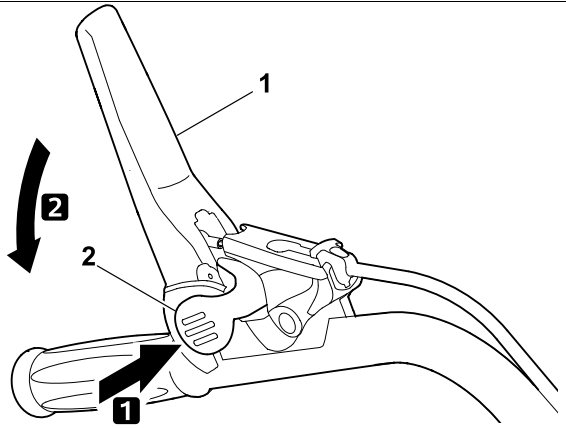


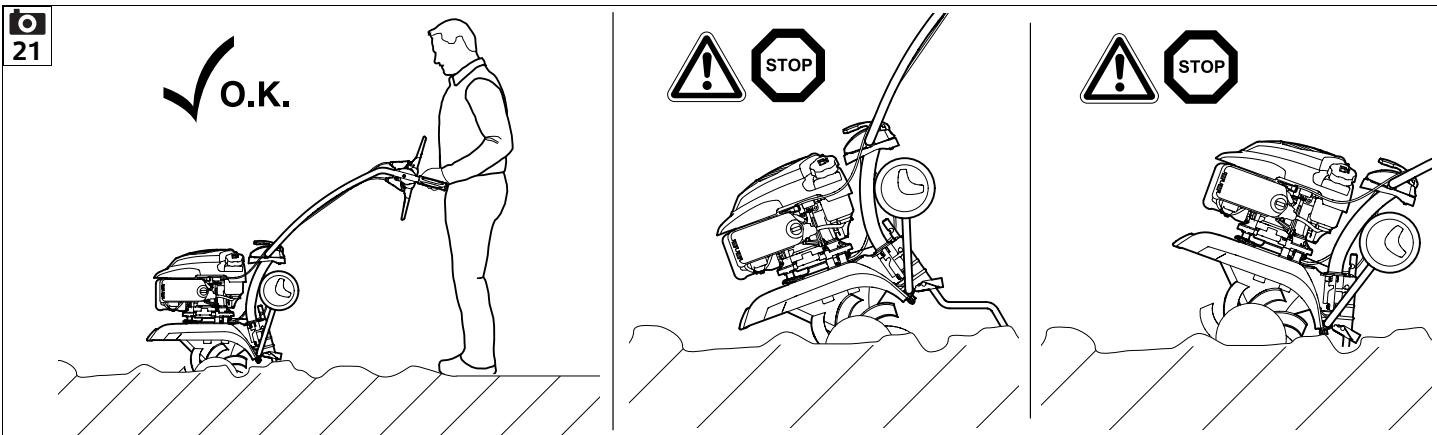
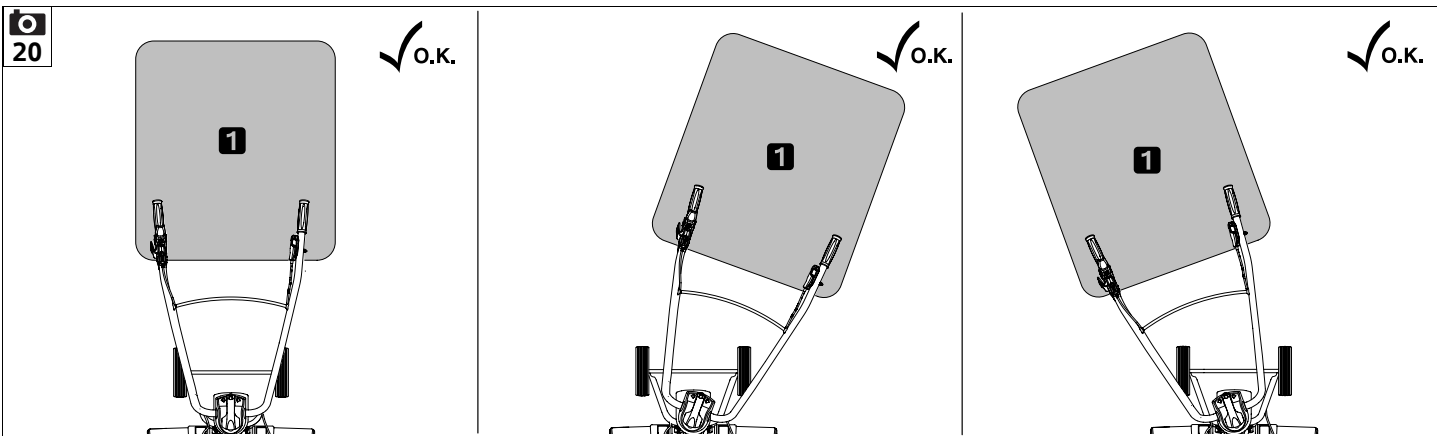
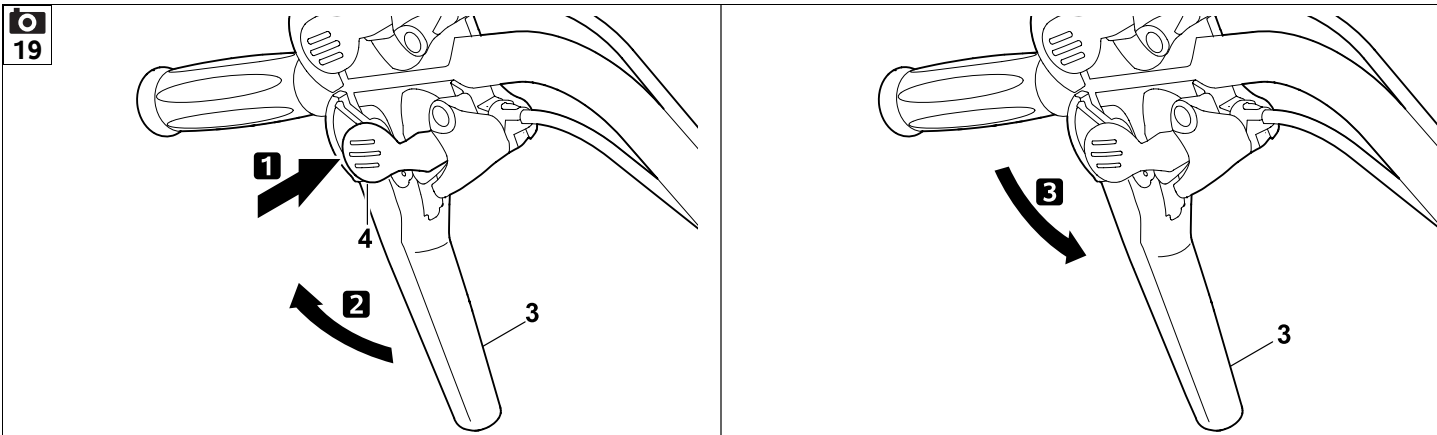
MH 560, MH 585, MH 685

17



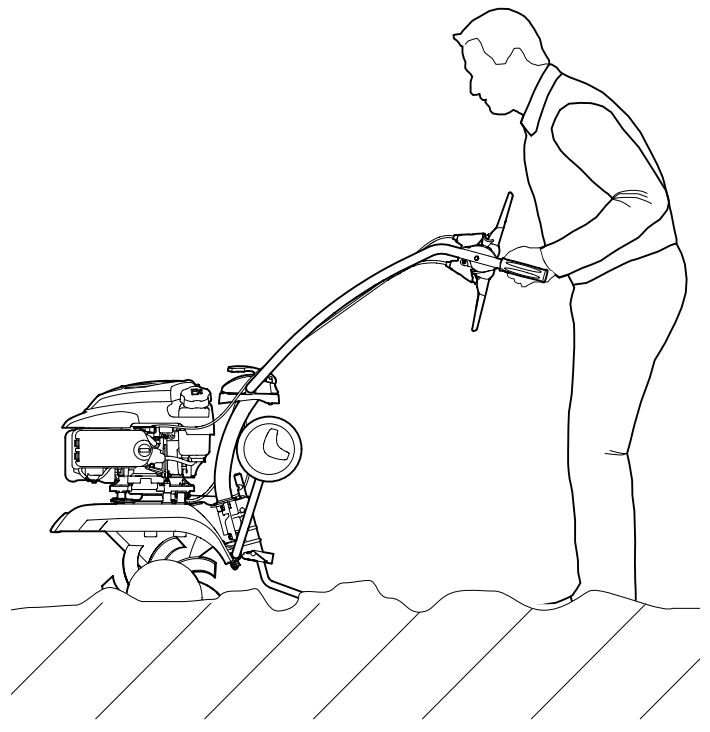
18



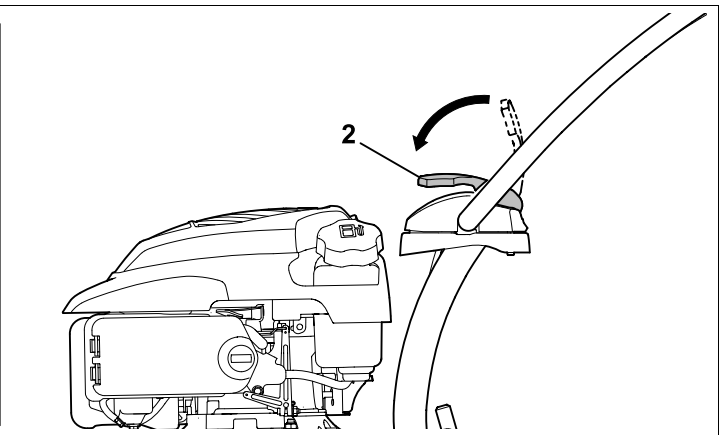
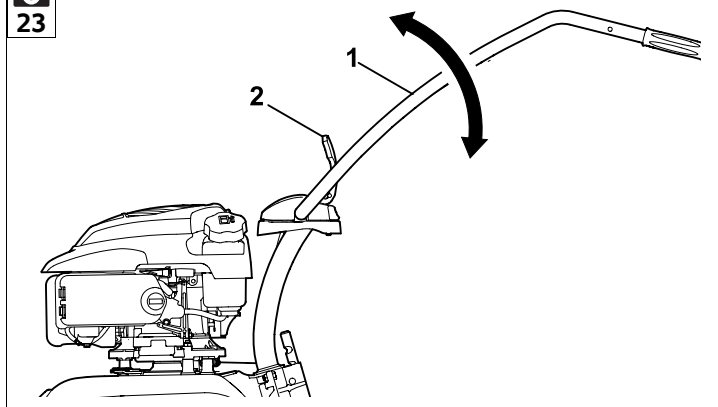


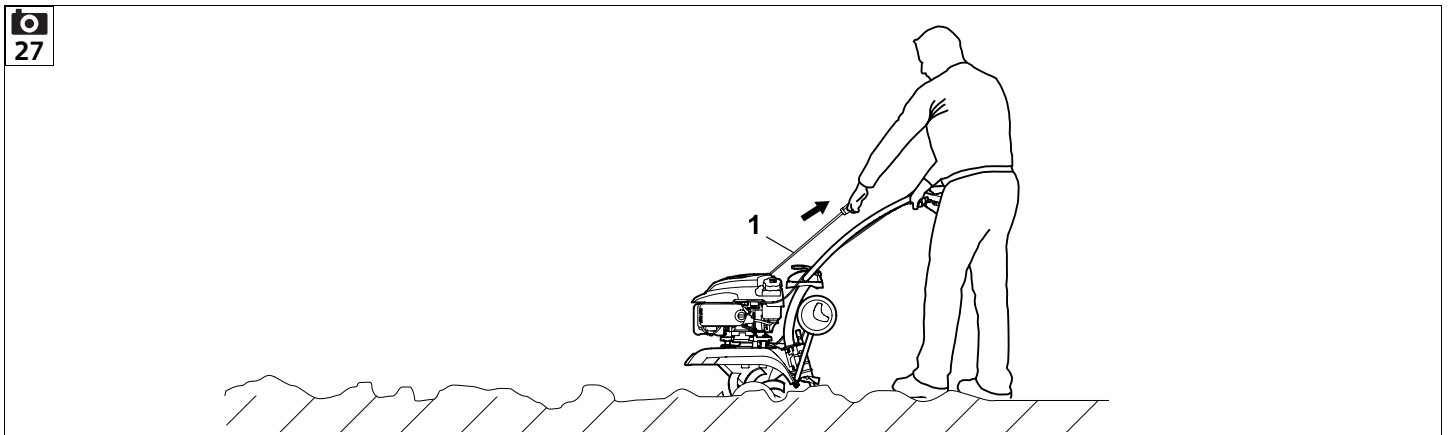
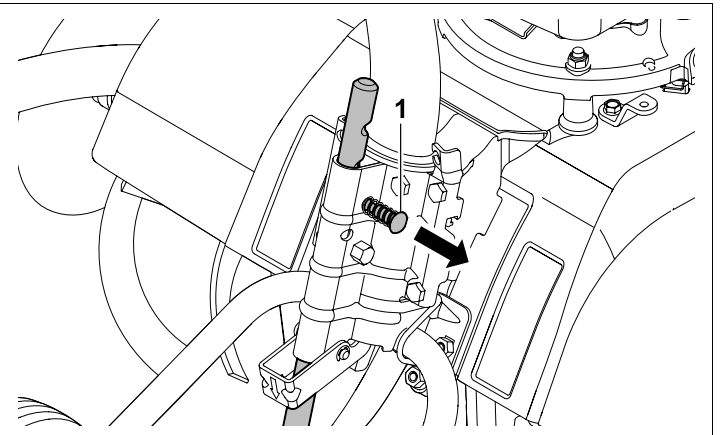
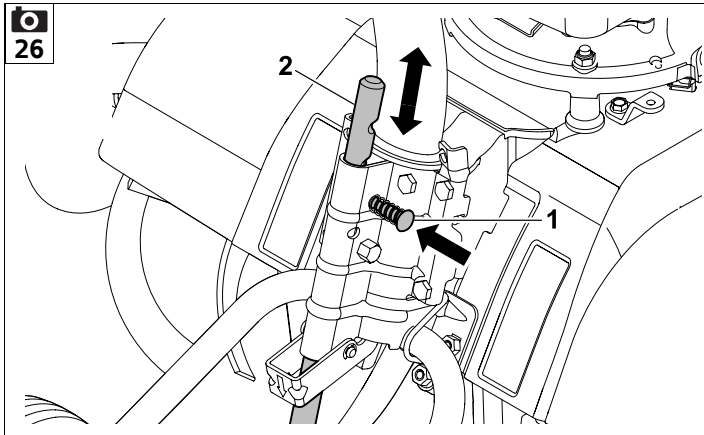
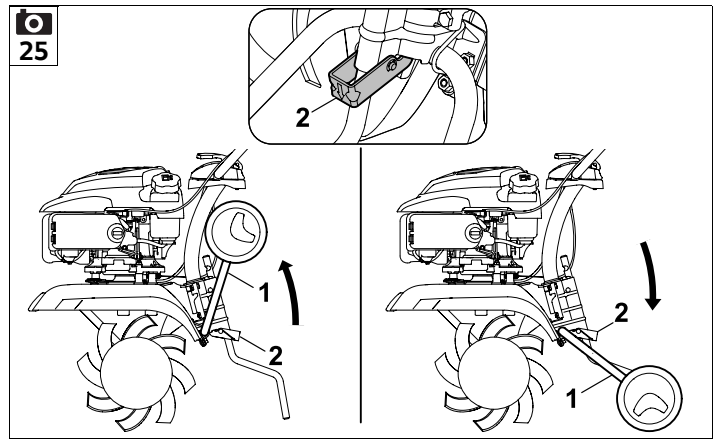
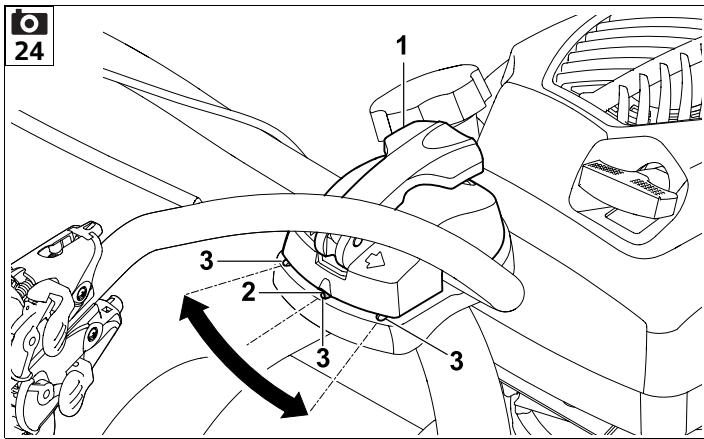
22

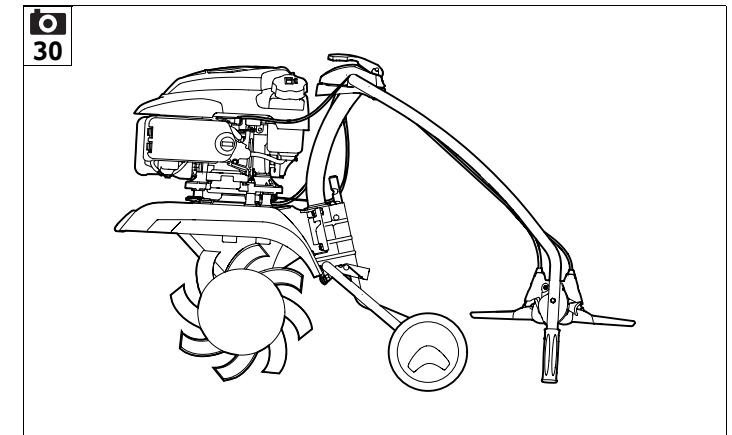
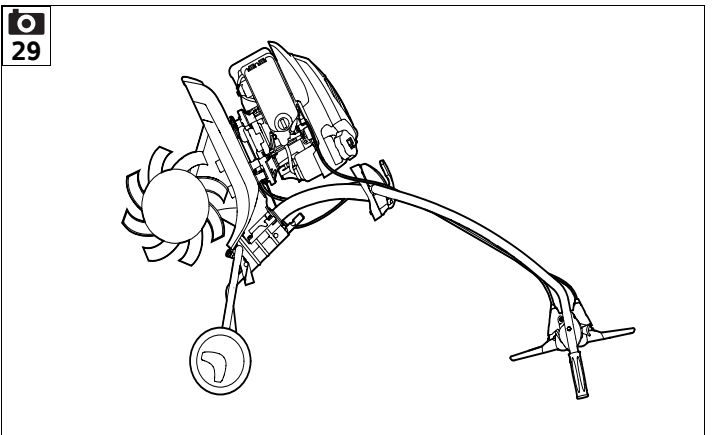
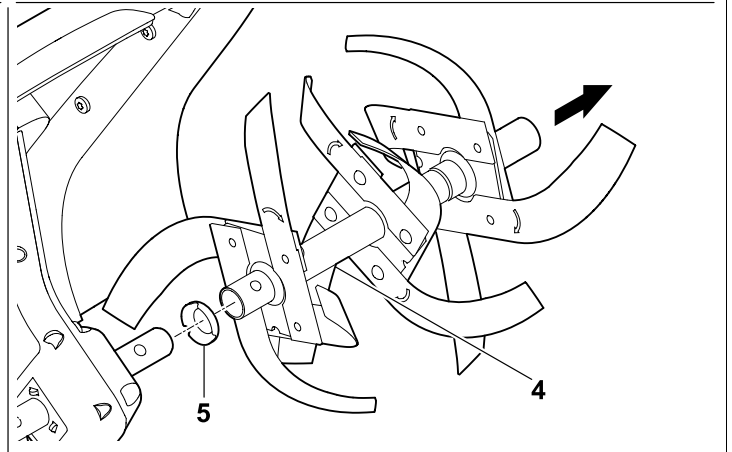
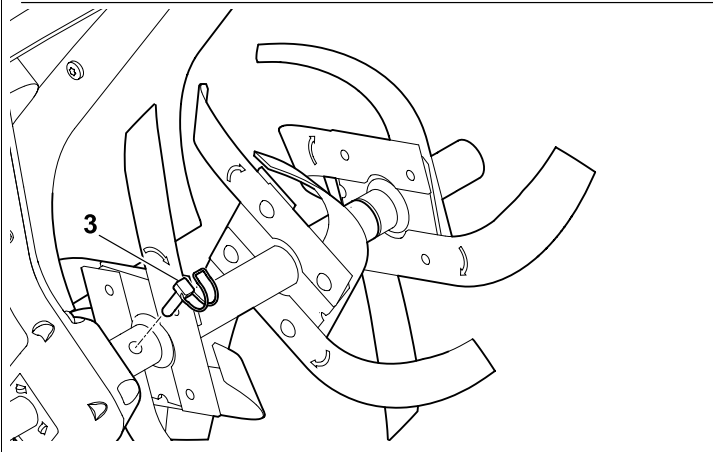
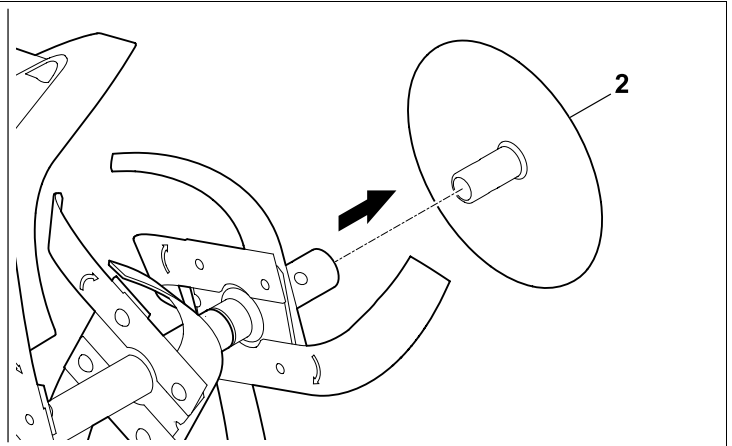
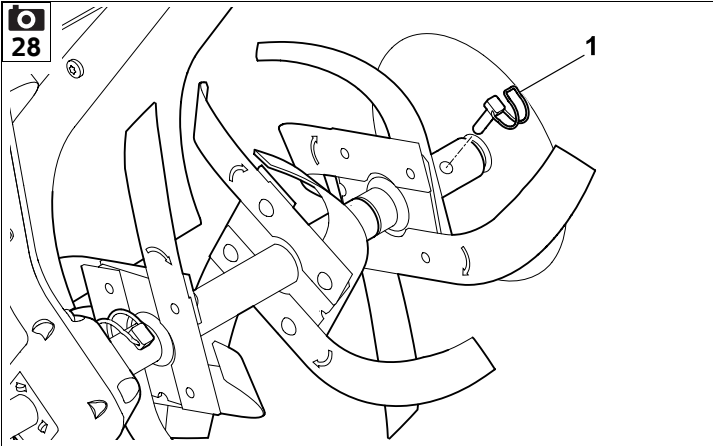
✓ O.K.



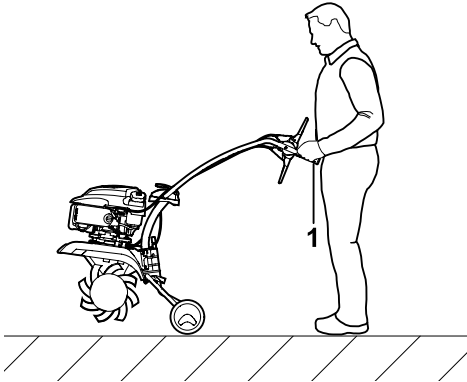
23



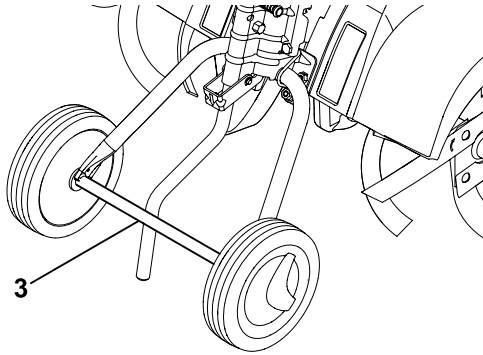
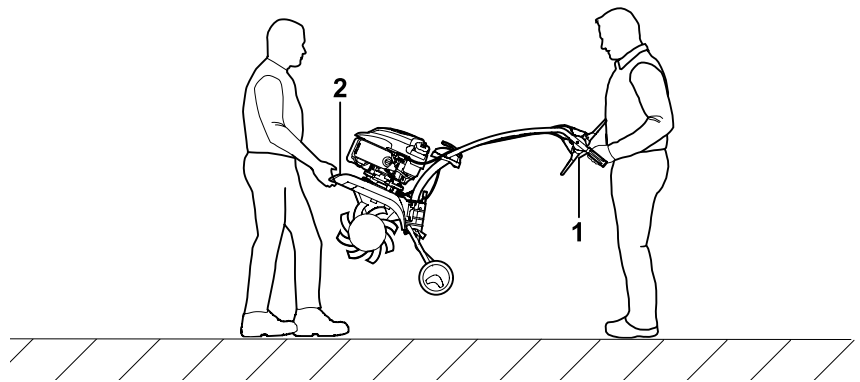




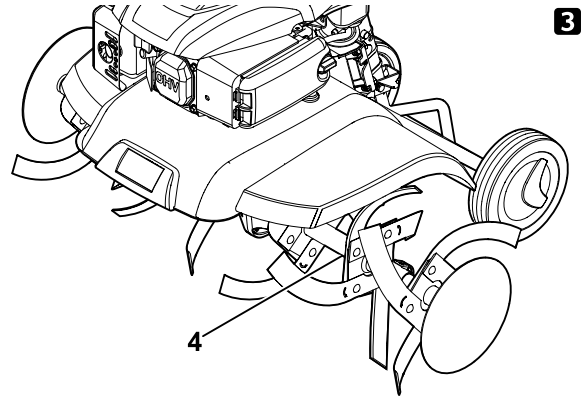
1



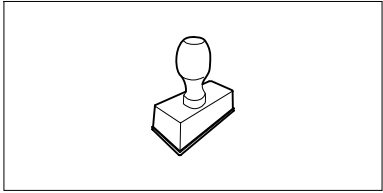
2



3

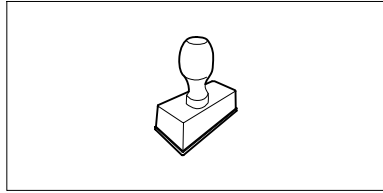


UU _____ 2.0



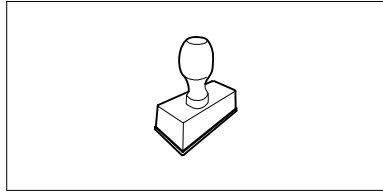
▶ UU _____ 2.0

UU _____ 2.0



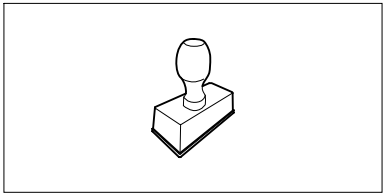
▶ UU _____ 2.0

UU _____ 2.0



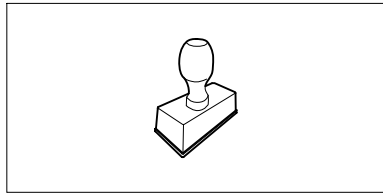
▶ UU _____ 2.0

UU _____ 2.0



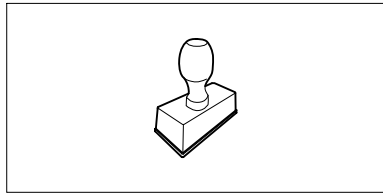
▶ UU _____ 2.0

UU _____ 2.0



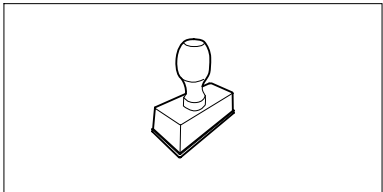
▶ UU _____ 2.0

UU _____ 2.0



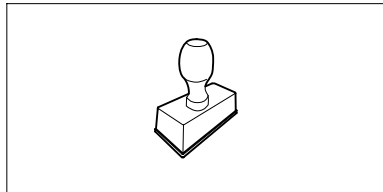
▶ UU _____ 2.0

UU _____ 2.0



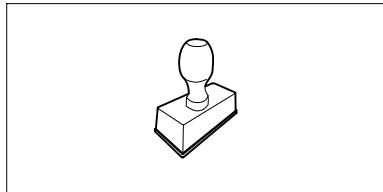
▶ UU _____ 2.0

UU _____ 2.0



▶ UU _____ 2.0

UU _____ 2.0



▶ UU _____ 2.0

Dear Customer,

Thank you for choosing STIHL. We develop and manufacture our quality products to meet our customers' requirements. The products are designed for reliability even under extreme conditions.

STIHL also stands for premium service quality. Our specialist dealers guarantee competent advice and instruction as well as comprehensive service support.

We thank you for your confidence in us and hope you will enjoy working with your STIHL product.



Dr. Nikolas Stihl

**IMPORTANT: READ BEFORE USE AND
KEEP IN A SAFE PLACE.**

1. Table of contents

Notes on the instruction manual	20
General	20
Instructions for reading the instruction manual	20
Machine overview	21
For your safety	21
General	21
Refilling the tank – handling petrol	22
Clothing and equipment	22
Transporting the machine	23
Before operation	23
Working with your machine	24
Maintenance and repairs	25
Storage for prolonged periods without operation	26
Disposal	27
Description of symbols	27
Standard equipment	27
Preparing the machine for operation	28
Installation instructions	28
Attaching the chassis	28
Installing the brake spur	28
Assembling the handlebar	29
Folding up the handlebar	29
Installing impact protectors	29
Mounting the hoes MH 445, MH 445 R	29
Mounting the hoes MH 445, MH 585, MH 685	30
Installing the plant protection disc	31
Installing the self-propulsion levers	31
Routing the drive cables	31
Attaching the drive cables	31
Routing and installing the throttle cable	31
Fastening the cables to the handlebar	31
Fuel and engine oil	32
Controls	32
Throttle lever	32
Self-propulsion levers	32
Safety devices	33
Self-propulsion lever lock	33
Safety devices	33
Notes on working with the machine	33
Working area for operator	33
Working position of the machine	33
Hoe combinations	33
Ideal body position when working	33
Operating the machine	34
Preparatory measures	34
Height adjustment of the upper handlebar	34
Lateral adjustment of the handlebar	34
Folding the transport chassis in and out	34
Adjusting the brake spur	34
Starting the engine	34
Stopping the engine	35
Engaging and disengaging self-propulsion (forwards)	35
Engaging and disengaging self-propulsion (reverse) (MH 445 R, MH 560, MH 585, MH 685)	35
Tilling	35
Maintenance	35
Removing the hoes	36
Cleaning the machine	36
Combustion engine	36

Service intervals	36
Storage and periods of inoperation (winter break)	37
Transport	37
Transporting the tiller	37
Environmental protection	38
Disposal	38
Minimising wear and preventing damage	38
Standard spare parts	39
EU - Declaration of conformity	39
STIHL MH 445.0, MH 445.0 R, MH 560.0, MH 585.0, MH 685.0	
Tiller	39
Technical specifications	40
REACH	41
Troubleshooting	41
Service schedule	43
Handover confirmation	43
Service confirmation	43

2. Notes on the instruction manual

2.1 General

This instruction manual constitutes **original manufacturer's instructions** in the sense of EC Directive 2006/42/EC.

STIHL is continually striving to further develop its range of products; we therefore reserve the right to make alterations to the form, technical specifications and equipment level of our standard equipment.

For this reason, the information and illustrations in this manual are subject to alterations.

This instruction manual may describe models that are not available in all countries.

This instruction manual is protected by copyright. All rights reserved, especially the right of reproduction, translation and processing using electronic systems.

2.2 Instructions for reading the instruction manual

Illustrations and texts describe specific operating steps.

All symbols which are affixed to the machine are explained in this instruction manual.

Viewing direction:

Viewing direction when "**left**" and "**right**" are used in the instruction manual: the user is standing behind the machine and is looking forwards in the direction of travel.

Section reference:

References to relevant sections and subsections for further descriptions are made using arrows. The following example shows a reference to a section: (⇒ 4.)

Designation of text passages:

The instructions described can be identified as in the following examples.

Operating steps which require intervention on the part of the user:

- Release bolt (1) using a screwdriver, operate lever (2)...

General lists:

- Use of the product for sporting or competitive events

Texts with added significance:

Text passages with added significance are identified using the symbols described below in order to especially emphasise them in the instruction manual:



Danger

Risk of accident and severe injury to persons. A certain type of behaviour is necessary or must be avoided.



Warning

Risk of injury to persons. A certain type of behaviour prevents possible or probable injuries.



Caution

Minor injuries or material damage can be prevented by a certain type of behaviour.



Note

Information for better use of the machine and in order to avoid possible operating errors.

Texts relating to illustrations:

Illustrations relating to use of the machine can be found in the front of this instruction manual.

The camera symbol serves to link the figures on the illustration pages with the corresponding text passages in the instruction manual.



3. Machine overview



- 1 Self-propulsion lever (forwards)
- 2 Upper handlebar
- 3 Tension lever
- 4 Recoil starter rope
- 5 Engine
- 6 Spark plug socket
- 7 Impact protector
- 8 Plant protection disc
- 9 Hoes
- 10 Carrying handle
- 11 Impact protector
- 12 Transport chassis
- 13 Brake spur
- 14 Release lever (transport chassis)
- 15 Release pin (brake spur)
- 16 Handle
- 17 Throttle lever
- 18 MH 445 R, MH 560, MH 585, MH 685:
Self-propulsion lever (reverse)
- 19 Rating plate with machine number

4. For your safety

4.1 General



These safety regulations must be observed when working with the machine.



Read the entire instruction manual before using the machine for the first time. Keep the instruction manual in a safe place for future reference.

Observe the operating and maintenance instructions contained in the separate engine instruction manual.

These safety precautions are essential for your safety, however the list is not exhaustive. Always use the machine in a reasonable and responsible manner and be aware that the user is responsible for accidents involving third parties or their property.

Make sure that you are familiar with the controls and operation of the machine. In particular, the user must know how the work tools and engine can be stopped quickly.

The machine must only be used by persons who have read the instruction manual and are familiar with operation of the machine. The user should seek expert and practical instruction prior to initial operation. The user must receive instruction on safe use of the machine from the vendor or another expert.

During this instruction, the user should be made aware that the utmost care and concentration are required for working with the machine.

Residual risks persist even if you operate this machine according to the instructions.



Risk of death from suffocation!

Packaging material is not a toy - danger of suffocation! Keep packaging material away from children.

Only give or lend the machine, including any accessories, to persons who are familiar with this model and how to operate it. The instruction manual forms part of the machine and must always be provided to persons borrowing it.

The machine must only be operated by persons who are well rested and in good physical and mental condition. If your health is impaired, you should consult your doctor to determine whether working with the machine is possible. The machine should not be operated after the consumption of alcohol, drugs or medications which impair reactions.

Make sure that the user is physically, sensorily and mentally capable of operating the machine and working with it. If the user is physically, sensorily or mentally impaired, the machine must only be used under supervision or following instruction by a responsible person.

Make sure that the user is of legal age or being trained under supervision in a profession in accordance with national regulations.

Caution – risk of accident:

The tiller is only suitable for tilling operations such as the sowing, cultivation or care of plants. It must only be used as described in this instruction manual – improper use is prohibited. Use for other purposes is not permitted and may be dangerous. Such use could result in injury to persons or damage to the machine.

Due to physical danger to the user, the tiller must not be used for the following applications (incomplete list):

- working on lawn roofs and in balcony boxes,

- for shredding or chopping tree or hedge cuttings.

It is not permitted to transport objects, animals or persons, particularly children, on the machine.

For safety reasons, any modification to the machine, except the proper installation of accessories approved by STIHL, is forbidden and results in voiding of the warranty cover. Information regarding approved accessories can be obtained from your STIHL specialist dealer.

In particular, any tampering with the machine which increases the power output or speed of the engine or motor is forbidden.

Particular care is required during use in public green spaces, parks, sports fields, along roads and in agricultural and forestry businesses.



Caution! Danger to health due to vibrations.

Excessive exposure to vibrations can result in damage to the cardiovascular or nervous system, particularly in persons with cardiovascular problems. Please consult a physician if you experience symptoms that may have been caused by vibrational loads.

Symptoms of this kind principally affect the fingers, hands or wrists and include (incomplete list):

- numbness,
- pain,
- muscular weakness,
- skin discolouration,
- unpleasant tingling sensation.

Hold the handlebar tightly, but not tensed, with both hands in the designated locations during operation.

Plan your working times so that more severe physical strains over a longer period are avoided.

When using the tiller, plan for work breaks and avoid using the machine for excessively long periods, as this may be damaging to health due to vibration.

4.2 Refilling the tank – handling petrol



Danger to life!

Petrol is poisonous and extremely inflammable.

Petrol must only be stored in appropriate, tested containers (canisters). Always screw on the fuel tank and canister caps properly and tightly. Defective caps must be replaced for safety reasons.

Never use beverage bottles or similar for disposal or storage of fuels and lubricants. Persons, particularly children, could be tempted to drink out of them.



Keep petrol away from sparks, naked flames, pilot lights, heat sources, and other ignition sources. Do not smoke!

Refill the tank out-of-doors and do not smoke during refilling.

Before refilling the tank, stop the engine and allow it to cool.

Refilling with petrol must be performed before the engine is started. When the engine is running or is hot, the tank cap must not be removed and the tank must not be refilled with petrol.

Do not overfill the fuel tank!

To give the fuel room to expand, never fill the fuel tank past the lower edge of the filler neck.

Observe the additional instructions in the engine instruction manual.



If petrol is spilled, the engine must only be started after the petrol-contaminated area has been cleaned. All attempts at starting must be avoided until the petrol fumes have dispersed (wipe dry).

Any spilt fuel must be wiped up immediately.

Clothing must be changed if it comes into contact with petrol.

Never store the machine with petrol in the tank inside a building. The resulting petrol fumes could come into contact with naked flames or sparks and could be ignited.

If it is necessary to drain the tank, this must be done out of doors.

4.3 Clothing and equipment



Always wear sturdy footwear with high-grip soles when working. Never work barefoot or, for example, in sandals.



Also always wear sturdy gloves and tie up and secure long hair (headscarf, cap, etc.) when performing maintenance and cleaning work or when transporting the machine.



Wear suitable, close-fitting clothing when working with the machine, e.g. overalls, but not work coats. Do not wear scarves, ties, jewellery, clothing with

dangling straps or cords or other protruding articles of clothing when working with the machine.

Hair, clothing or parts of clothing could become caught or entangled in the rotating parts. This can result in serious injury.

4.4 Transporting the machine

Always wear gloves in order to prevent injuries due to sharp-edged and hot components.

Do not transport the machine with the engine running. Before transport, switch off the engine, allow the work tool to come to a complete standstill and detach the spark plug socket.

Only transport the machine once the engine has cooled down and with an empty fuel tank.

Observe the information in the section "Transport". It describes how to lift and lash the machine. (⇒ 13.)

Always carry the machine with two people – use the appropriate lifting points.

Use suitable loading aids (loading ramps, lifters).

For safety reasons, a tilt angle of 15° must not be exceeded when transporting and loading the machine, especially when using loading ramps.

Secure the machine and any machine components being transported on the load floor using adequately dimensioned fastening material (belts, ropes, etc.). Never transport the machine unsecured.

STIHL recommends transporting the tiller using a suitable trailer or on a suitable load floor and not inside a vehicle (e.g. luggage compartment).

When transporting the machine, always observe regional legislation, especially regarding load security and the transport of objects on load floors.

4.5 Before operation

Make sure that only persons who are familiar with the instruction manual are permitted to use the machine.

Check the fuel system (particularly visible parts such as e.g. tank, tank cap, hose connections) before operating the machine. In the event of any leaks or damage, do not start the engine – **fire hazard!**

Have the machine repaired by a specialist dealer prior to operation.

Observe the local regulations regarding permitted operating times for gardening power tools with combustion engines.

Carefully inspect the complete area on which the machine is to be used and remove any large stones, sticks, wires, bones or other foreign objects which could be thrown up by the machine.

Objects hidden in the ground (lawn sprinkler systems, posts, water valves, foundations, electrical wires, etc.) must be clearly marked before working with the machine and avoided during operation. Never run over any such foreign objects.

All faulty, worn or damaged parts must be replaced before using the machine. Replace any illegible or damaged danger signs and warnings on the machine. Your STIHL specialist has a supply of replacement stickers and all the other spare parts.

Check secure seating of the spark plug socket on the spark plug before using the machine.

The machine must only be used in good operating condition. Before each use, check whether:

- The entire machine is properly assembled.
- The safety devices (e.g. self-propulsion lever, impact protectors, protective covers, handlebar, protective grille) are in good condition and working properly. Never use the machine with missing, damaged or worn safety devices.
- The work tools (hoes), fastening bolts and retaining pins are fitted and are not worn or damaged (notches, cracks). Worn or damaged parts must be replaced.
- The work tools (hoes) are secure and firmly installed.
- The self-propulsion levers are working and are easy to operate.
- The tank cap is properly attached.
- The tank and fuel-carrying parts, as well as the tank cap are in good condition.
- The oil closure screw is properly attached.
- The accessories used are complete and are properly installed on the machine. All the components included in the scope of delivery of the accessory must be installed/used.

Carry out any necessary work or consult a specialist dealer. STIHL recommends STIHL specialist dealers.

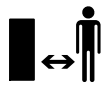
The left and right impact protectors are adapted to the relevant working width and must always be properly installed. If, on

models MH 445 and MH 445 R, the working width is increased using additional hoes (STIHL accessories), the larger impact protectors (supplied in the scope of delivery of the accessories) must also be installed.

Push or pull the machine to the area to be worked with the aid of the transport wheels.

Before operating, remove any foreign objects (tools, cloths, etc.) placed on the machine.

4.6 Working with your machine



Keep other persons out of the danger area. Never work when animals or persons, particularly children, are in the danger area.

Caution: Objects such as soil, stones, etc. can be thrown up or thrown out sideways during working.

The machine may only be operated by one person. The operator must stay within the working area when the engine is running. (⇒ 10.1)

During operation, the machine must not be lifted, pushed or pulled at the transport handle, guard plate or at other machine parts except for the handles of the handlebar – and especially not by a second person.

The switch and safety devices installed in the machine must not be removed or bypassed. In particular, never secure the self-propulsion lever to the upper handlebar (e.g. by tying it).



Caution – risk of injury!

Never put hands or feet on or underneath rotating parts. Always observe the safety

distance provided by the handlebar. This safety distance corresponds to the length of the properly installed and folded-out handlebar. Do not modify the handlebar and never operate the machine with the handlebar folded down.

Never attach any objects to the handlebar (e.g. work clothing).

Only work during the day or with good artificial light.

Do not operate the machine in the rain or during thunder storms, particularly when there is a risk of lightning strike.

The risk of accidents is higher if the ground is damp due to increased danger of slipping.

Particular caution should be exercised during working in order to prevent slipping. If possible, avoid using the machine when the ground is damp.

Do not operate the machine on tarmac or paved areas, etc. with the hoes attached.

Use the machine with great care when working near slopes, terraces, ditches and embankments. In particular, ensure that you maintain sufficient distance to such danger areas.

Exhaust gases:



Danger to life through poisoning!

In the case of nausea, headache, impaired vision (e.g. decreasing field of view) hearing disorder, dizziness, decreasing power of concentration, stop working immediately. These symptoms may be caused by excessively high exhaust gas concentrations.



The machine generates poisonous exhaust gases when the engine is running. The

gases contain poisonous carbon monoxide, a colourless and odourless gas, as well as other pollutants. The engine must never be operated in closed or poorly ventilated spaces.

Observe discharge direction of exhaust gases. Never point the exhaust towards persons.

Starting:

Exercise care when starting the machine and observe the instructions contained in the section entitled "Operating the machine" (⇒ 11.). Starting the machine in accordance with these instructions reduces the risk of injury.

Risk of injury!

If the starter rope recoils at speed, the hand and arm will be pulled towards the engine faster than the starter rope can be released. This kickback can result in broken bones, crush injuries and sprains.

Ensure that you keep your feet far enough away from the work tools.

The machine must not be tilted during start-up.

The self-propulsion levers must not be pressed when starting.

Working on slopes:

Always work across and back on slopes, never up and down.

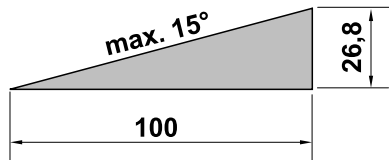
The operator must never stand below the running machine on a slope. If the user loses control, there is a risk of being run over by the machine.

Be particularly careful when changing direction on a slope.

Always ensure good stability on slopes and avoid mowing on excessively steep slopes.

The machine can tip over when used on slopes. For safety reasons, the machine must not be used on slopes with an inclination of more than 15° (26.8 %). **Risk of injury!**

A slope inclination of 15° corresponds to a vertical height increase of 26.8 cm for a 100 cm horizontal distance.



In order to ensure an adequate oil supply for the engine, the information in the accompanying engine instruction manual must be additionally observed when using the machine on slopes.

Working:



Risk of injury!

Never place your hands or feet above, underneath or on rotating parts.

For safety reasons, the machine must always be operated using both hands, which must be kept on the handles of the handlebar at all times during operation. Never work using only one hand.

Only control the working depth by applying pressure to the brake spur.

Use the machine with particular care when operating on difficult (e.g. stony and hard) ground. Reduce the rotational speed of the work tools (fuel control).

Only operate the machine at walking speed – never run when working with the machine. Working quickly with the machine increases the risk of injury due to stumbling, slipping, etc.

Caution – risk of injury!

Exercise particular caution and ensure that there is sufficient distance between the work tools (hoes) and your feet when turning the machine around, pulling it towards you, or using reverse gear.

Caution – Risk of stumbling!

Watch out for obstacles behind the operator when moving the machine backwards.

If the machine becomes stuck, stop the engine and detach the spark plug socket. Lift the machine with the help of a second person and free it.

Stop the engine

- when the machine has to be tilted for transportation
- when pushing or pulling the machine to and from the area to be worked
- when leaving the machine unattended
- before re-filling the tank. Allow the engine to cool down before re-filling the tank. **Fire hazard!**
- when pushing or pulling the machine on an area that is not to be worked.

Stop the engine and detach the spark plug socket:

- before remedying blockages
- before lifting or carrying the machine
- before transporting the machine
- before checking or cleaning the machine or before carrying out any other work (e.g. adjusting the handlebar, folding out the transport chassis) on it

- after hitting a foreign object or if the machine vibrates excessively. In these cases, check the machine, in particular the work tools (hoes, hoe retainers, drive shaft), for damage and carry out the necessary repairs before restarting and working with the machine.



Risk of injury!

Strong vibration is normally an indication of a fault.

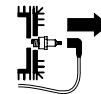
In particular, the tiller must not be operated with a damaged or bent drive shaft or with damaged work tools.

If you do not have the appropriate expertise, have the necessary repairs carried out by a specialist dealer (STIHL recommends STIHL specialist dealers).

4.7 Maintenance and repairs

Before beginning cleaning, adjustment, repair and maintenance operations:

- Park the machine on firm and level ground
- Stop the engine and allow it to cool down
- Detach the spark plug socket.



Caution – risk of injury!

Keep the spark plug socket away from the spark plug; an inadvertent ignition spark can result in fires or electric shocks.

Inadvertent contact between the spark plug and the spark plug socket can result in unwanted starting of the engine.

Set the machine down on its back only for cleaning and maintenance work. If machine is set onto its side or front, this

may cause damage to the engine and other machine parts, resulting in expensive repairs.

Allow the machine to cool down before performing maintenance operations on the gearbox, engine, exhaust manifold or muffler in particular. Temperatures of 80° C and above can be reached. **Danger of burns!**

Direct contact with engine oil can be dangerous. Engine oil must not be spilled. STIHL recommends leaving the task of topping up engine oil or performing engine oil changes to a STIHL specialist dealer.

Check the entire machine for wear or damage on a regular basis, particularly before extended periods when the machine is not in use (e.g. over winter). For safety reasons, worn or damaged parts must be replaced immediately to ensure that the machine is always in a safe operating condition.

Cleaning:

The complete machine must be cleaned thoroughly following use. (⇒ 12.2)

Remove accumulated clipping deposits using a stick. Clean the underside of the machine with water and a brush.

Do not use aggressive cleaning agents. These can damage plastics and metals, impairing the safe operation of your STIHL machine.

The underside of the machine (everything below the guard plate) can be cleaned using a high-pressure cleaner or steam cleaner. Maintain a distance of at least 1 m and never direct the water jet directly at the bearing points or seals – especially the seal between the gearbox housing and guard plate.

In order to prevent fire hazards, keep the area around the air vents, cooling ribs and the area of the exhaust free from e.g. grass, straw, moss, leaves or escaping grease.

Maintenance operations:

Only maintenance operations described in this instruction manual may be carried out. Have all other work performed by a specialist dealer.

If you do not have the necessary expertise or auxiliary equipment, please **always** contact a specialist dealer.

STIHL recommends that you have maintenance operations and repairs performed exclusively by a STIHL specialist dealer.

STIHL specialist dealers regularly attend training courses and are provided with technical information.

Only use tools, accessories or attachments approved for this machine by STIHL or technically identical parts. Otherwise, there may be a risk of accidents resulting in personal injury or damage to the machine. If you have any questions, please consult a specialist dealer.

The characteristics of original STIHL tools, accessories and spare parts are optimally adapted to the machine and the user's requirements. Genuine STIHL spare parts can be recognised by the STIHL spare parts number, by the STIHL lettering and, if present, by the STIHL spare parts symbol. On smaller parts, only the symbol may be present.

For safety reasons, fuel-carrying components (fuel line, fuel cock, fuel tank, tank cap, connections, etc.) must be checked regularly for damage and leaks

and replaced by a technician if necessary (STIHL recommends STIHL specialist dealers).

Always keep warning and information stickers clean and readable. Damaged or missing stickers must be replaced by new, original plates from your STIHL specialist dealer. If a component is replaced with a new component, ensure that the new component is provided with the same stickers.

Ensure that all nuts, pins, bolts and screws are securely tightened, so that the machine is in a safe operating condition.

Never alter the basic setting of the engine or run at excessive engine speeds.

Components or guards that are removed for maintenance operations must be properly reinstalled immediately.

When replacing the work tools (hoes), ensure that the correct hoe type and hoe combination are installed – only those versions approved by STIHL are permitted.

4.8 Storage for prolonged periods without operation

Allow the engine to cool before storing the machine in an enclosed space.

Store the machine with empty fuel tank and the fuel reserve in a lockable and well-ventilated room.

Ensure that the machine is protected from unauthorised use (e.g. by children).

Never store the machine with petrol in the tank inside a building. The resulting petrol fumes could come into contact with naked flames or sparks and could be ignited.

If the tank has to be emptied (e.g. immobilisation before the winter break), the fuel tank must be emptied out of doors only (empty the tank by running the engine, for example).

Thoroughly clean the machine before storage (e.g. winter break).

Only store the machine with the spark plug socket disconnected.

Store the machine in good operational condition.

Allow the machine to cool down completely before covering it.

4.9 Disposal

Waste products such as used engine oil or fuel, used lubricants, filters, batteries and similar wearing parts can be harmful to people, animals and the environment, and must consequently be disposed of properly.

Consult your recycling centre or your specialist dealer for information on the proper disposal of waste products. STIHL recommends STIHL specialist dealers.

Ensure that old machines are properly disposed of. Read the information in the "Environmental protection" section. (⇒ 14.)

5. Description of symbols



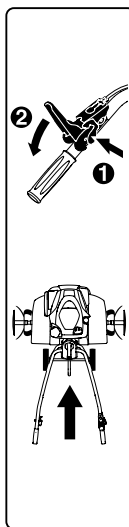
Caution: – Risk of injury!

Read and follow the instruction manual and the safety instructions before initial use.

Rotating tools: Keep your hands and feet away from rotating tools. Only operate with protective covers.

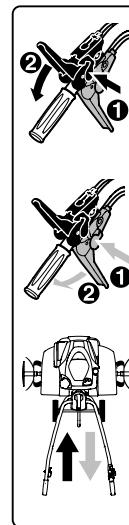
Maintain a safety distance.

Detach the spark plug socket before performing any maintenance and cleaning operations.



MH 445:

For safety reasons, the release lever must be pressed before actuation of the self-propulsion lever. This prevents inadvertent actuation of the self-propulsion lever.



MH 445 R, MH 560, MH 585, MH 685:

For safety reasons, the relevant release lever must be pressed before actuation of the self-propulsion lever.

This prevents inadvertent actuation of a self-propulsion lever. The black self-propulsion lever is for the forward gear and the red self-propulsion lever is for the reverse gear.



Danger of burns:

Do not touch hot surfaces. Gearbox housing becomes extremely hot.

6. Standard equipment

Item	Designation	Qty.
A	Basic unit	1
B	Handlebar	1
C	Tension lever	1
D	Transport chassis	1
E	Brake spur	1
F	Left impact protector	1
G	Right impact protector	1

Item	Designation	Qty.
H	MH 445, MH 445 R: Hoe	4
I	MH 560, MH 585, MH 685: Dual hoe	2
J	MH 585, MH 685: Single hoe	2
K	Protection ring	2
L	Plant protection disc	2
M	Self-propulsion lever (forwards) black	1
N	MH 445 R, MH 560, MH 585, MH 685: Self-propulsion lever (reverse) red	1
O	MH 445: Lock nut M6	1
P	MH 445: Cover	1
Q	Lock nut M6	1
R	Flat head bolt M6	1
S	MH 445, MH 445 R, MH 585, MH 685: Folding retainer 10x40 MH 560: Folding retainer 10x40	6 4
T	Flat head bolt M8	2
U	Hexagon nut M8	2
V	Cable tie	2
–	Instruction manual Engine	1 1
–	MH 560, MH 585, MH 685: Spark plug wrench	1

7. Preparing the machine for operation

7.1 Installation instructions



Risk of injury!

Observe the safety instructions in the "For your safety" section. (⇒ 4.) In particular, detach the spark plug socket and always wear thick gloves when carrying out any work on the hoes.

Observe the specified torque.

Only route and attach drive cables and throttle cable as described. Incorrectly installed cables (e.g. incorrect routing or attaching to the wrong self-propulsion lever) may cause malfunctions.

- Perform all the operations described on a clean, flat, level and firm surface.
- Observe installation position – always ensure that the machine is standing stably and securely.
- Strictly observe instructions for cable installation. In particular, fasten all cables to the handlebar using **cable ties** in order to prevent damage to the machine (e.g. when folding down the handlebar) or possible malfunctions.

Self-propulsion levers, drive cables

- MH 445:
- Black self-propulsion lever on the upper side of the handlebar.
 - One drive cable (forwards).
- MH 445 R, MH 560, MH 585, MH 685:

- Black self-propulsion lever on the upper side of the handlebar.
- Red self-propulsion lever on the underside of the handlebar.
- One drive cable (forwards). The cable is fitted with a **black cap** and must be attached to the black self-propulsion lever.
- One drive cable (reverse). The cable is fitted with a **red cap** and must be attached to the red self-propulsion lever.

7.2 Attaching the chassis



- Installation position:
Tilt basic unit (A) forwards as shown and support at both drive shafts using suitable wooden blocks (1) (height 50 - 60 mm, width/length approx. 100 mm).
- **1** Press retaining clasp (2) upwards and hold.
- **2** Insert transport chassis (D) into recess (3) in the pin of release lever (4).
- Press transport chassis (D) upwards to the stop and hold.
- **3** Press retaining clasp (2) downwards. Insert bolts (T) on both sides from below.
- **4** Secure retaining clasp (2) by tightening both nuts (U).

7.3 Installing the brake spur



- Installation position:
see "Attaching the chassis" (⇒ 7.2)
- Press release pin (1) and hold.

- Insert brake spur (E) into adapter (2) from below and push upwards to the stop.
- Release the pressure on release pin (1) and pull brake spur (E) downwards until it engages.
- Check that brake spur (E) is seated securely.

7.4 Assembling the handlebar



- **1** Installation position: see "Attaching the chassis" (⇒ 7.2)
- Remove rubber band (1).
- **2** Lift up console (2) and hold.
- **3** Insert handlebar (B) centrally between console (2) and lower handlebar (3) to the stop and hold. The legs of spring (4) must run along notched adjustment mechanism (5) as shown.
Check the illustrated position of spring (4) in adjustment element (6), attach the spring if necessary.
- **4** Tighten screw (7).
- **5** Unscrew nut (8) at tension lever (C) and remove together with spring (9).
- Push tension lever (C) with integrated bolt from above through console (2) and lower handlebar (3). Push spring (9) onto tension lever (C). Screw on nut (8) one to two turns.



Note:

Install tension lever (C) so that it must be pressed forwards towards the engine to apply tension.

- **6** Move upper handlebar (3) to the central position. (⇒ 11.3)

- Press tension lever (C) forwards with the hand.
- Screw on nut (8) to 5 Nm (not to the stop).
- Check clamping:
Tension lever (C) is correctly installed if it can be operated with the hand while the handlebar is securely attached to the basic unit.
- Adjusting the tensioning force:
If the handlebar is not sufficiently clamped or if the tension lever cannot be operated with the hand, loosen the tension lever and adjust the tensioning force by tightening or loosening nut (8). Then press the tension lever forwards again.



Risk of injury!

The machine must only be pushed or pulled with a handlebar securely attached to the basic unit (handlebar must not be loose under tension).

7.5 Folding up the handlebar



- Pull tension lever (1) upwards. Fold up upper handlebar (2) in the direction of the arrow.
- Press tension lever (1) forwards to the stop.
- Adjust the height of the handlebar. (⇒ 11.2)

7.6 Installing impact protectors



- Check pre-installed screws (1) in impact protectors (F, G) – do not fully unscrew.

- Place the tiller in the cleaning position. (⇒ 12.2)
- Insert the three pre-installed screws (1) of left impact protector (F) into the three bores (2) in the cover plate.
- Push impact protector (F) forwards and hold.
- Screw in screws (1) and tighten to 10 - 12 Nm.
- Check for secure seating of impact protector (F) and then install right impact protector (G) in the same way.

7.7 Mounting the hoes MH 445, MH 445 R



- Place the tiller in the cleaning position. (⇒ 12.2)



Strictly observe the assembly instructions. In particular, observe the installation sequence and install protection rings, hoes and folding retainers completely as described. When installing the folding retainer, strictly observe the correct direction of insertion and positioning of the securing clip, as shown. In the case of incorrect or rotated installation, the folding retainer may come loose and be lost.

For good working results, the cutting edges of the hoes must point forwards (not towards the handlebar) – observe arrow markings.

Definition of hoes:

- Hoe (1): same sized outer diameter of shaft mount (2).

- Hoe (3): different outer diameters of shaft mount (4).

1

- Push protection ring (K) as far as it will go onto drive shaft (5). The recesses in the protection ring must engage on the three locating lugs of the gearbox housing (6).
- Position hoe (1) so that the **shorter** shaft mount (2) faces the gearbox housing and cutting edges (7) point forwards. Arrows (8) on the hoe and arrow (9) on gearbox housing (6) must point in the same direction.
- Push hoe (1) onto drive shaft (5).
- Turn hoe (1) so that the bores in the shaft mount and the drive shaft align.

2

- Insert folding retainer (S) through the bores and close the securing clip.

3

- Position hoe (3) so that the **smaller** outer diameter of shaft mount (4) faces the already mounted hoe (1) and cutting edges (7) point forwards. Arrows (8) on the hoe and arrow (9) on gearbox housing (6) must point in the same direction.
- Push hoe (3) into the already mounted hoe (1).
- Turn hoe (3) so that the bores in both hoes align.

4

- Insert folding retainer (S) through the bores and close the securing clip.
- Install the plant protection disc if necessary. (⇒ 7.9)

- Repeat the hoe mounting procedure on the other side.

7.8 Mounting the hoes MH 445, MH 585, MH 685



- Place the tiller in the cleaning position. (⇒ 12.2)



Strictly observe the assembly instructions. In particular, observe the installation sequence and install protection rings, hoes and folding retainers completely as described. When installing the folding retainer, strictly observe the correct direction of insertion and positioning of the securing clip, as shown. In the case of incorrect or rotated installation, the folding retainer may come loose and be lost.

For good working results, the cutting edges of the hoes must point forwards (not towards the handlebar) – observe arrow markings.

Definition of hoes:

- Hoe (I): dual-row hoe.
- Hoe (J): single-row hoe.

1 MH 560, MH 585, MH 685

- Push protection ring (K) as far as it will go onto drive shaft (1). The recesses in the protection ring must engage on the three locating lugs of gearbox housing (2).

- Position hoe (I) so that the **shorter** shaft mount (3) faces the gearbox housing and cutting edges (4) point forwards. Arrows (5) on the hoe and arrow (6) on gearbox housing (2) must point in the same direction.

- Push hoe (I) onto drive shaft (1).
- Turn hoe (I) so that the bores in the shaft mount and the drive shaft align.

2 MH 560, MH 585, MH 685

- Insert folding retainer (S) through the bores and close the securing clip.

3 MH 585, MH 685

- Position hoe (J) so that the **smaller** outer diameter of shaft mount (7) faces the already mounted hoe (I) and cutting edges (4) point forwards. Arrows (5) on the hoe and arrow (6) on gearbox housing (2) must point in the same direction.
- Push hoe (J) into the already mounted hoe (I).
- Turn hoe (J) so that the bores in both hoes align.

4 MH 585, MH 685

- Insert folding retainer (S) through the bores and close the securing clip.

MH 560, MH 585, MH 685

- Install the plant protection disc if necessary. (⇒ 7.9)
- Repeat the hoe mounting procedure on the other side.

7.9 Installing the plant protection disc



i When installing the folding retainer, strictly observe the correct direction of insertion and positioning of the securing clip, as shown. In the case of incorrect or rotated installation, the folding retainer may come loose and be lost.

- Install plant protection disc (L) on the outer hoe. Turn the plant protection disc so that the bores in the disc and the hoe align.
- Insert folding retainer (S) through the bores and close the securing clip.
- Repeat this procedure on the other side.

7.10 Installing the self-propulsion levers



- Observe the installation instructions. (⇒ 7.1)
- Insert black self-propulsion lever (M) with integrated bolt (1) from above into the bore in the upper handlebar.
- MH 445:
Screw on lock nut (O) and tighten to 7 - 9 Nm. Fit cover (P).
- MH 445 R, MH 560, MH 585, MH 685:
Position red self-propulsion lever (N) so that the bolt of the black lever can be screwed into the nut integrated in the red lever.
Press red self-propulsion lever (N) upwards against the handlebar. Screw in bolt (1) and tighten to 7 - 9 Nm.

7.11 Routing the drive cables



- Observe the installation instructions. (⇒ 7.1)
- **1** Unwind drive cable (forwards) (1) and engage in holder (2).
- **2** Tighten nut (3) to 2 - 4 Nm.
- Route drive cable (forwards) (1) upwards as follows:
 - A** Guide drive cable (forwards) (1) along upper handlebar (4).
 - B** Route drive cable (forwards) (1) under crossbar (5) of the upper handlebar.
- MH 445 R, MH 560, MH 585, MH 685:
Route drive cable (reverse) (6) on the right side of engine below relay lever (7). Guide the cable upwards along the handlebar as with the drive cable (forwards).

7.12 Attaching the drive cables



- Observe the installation instructions. (⇒ 7.1)
- Drive cable (forwards):**
- Insert toggle (1) of the drive cable with black cap (2) into black self-propulsion lever (M).
 - Guide toggle (1) through opening (3) of lever (4). Use suitable pliers if necessary.
 - Using suitable pliers, pull toggle (1) and engage it in lever (4) as shown.
 - Press cap (2) onto self-propulsion lever (4) and allow it to engage.

• Operation checks:

Actuate the self-propulsion lever. (⇒ 8.2)

The self-propulsion lever must be easy to operate.

Drive cable (reverse)

MH 445 R, MH 560, MH 585, MH 685:

- Insert the toggle of the drive cable with the red cap into the red self-propulsion lever.
- Further installation is identical to that of the drive cable (forwards).

7.13 Routing and installing the throttle cable



- Observe the installation instructions. (⇒ 7.1)
- Unwind throttle cable (1) and route as follows:
 - A** Guide the throttle cable along upper handlebar (2).
 - B** Route the throttle cable under crossbar (3) of the upper handlebar.
- Insert bolt (T) into bore (4) of the throttle cable housing. Fit the throttle cable housing with inserted bolt onto the upper handlebar from the inside and hold. Screw on lock nut (U) and tighten to 7 - 9 Nm.

7.14 Fastening the cables to the handlebar



- Observe the installation instructions. (⇒ 7.1)
- MH 445:
Fasten drive cable (1) to the right side of the upper handlebar using a cable tie (V).

- MH 445 R, MH 560, MH 585, MH 685: Fasten both drive cables (1, 2) to the right side of the upper handlebar using a cable tie (V).
- Fasten throttle cable (3) to the left side of the upper handlebar using a cable tie (V).
- Check for secure seating of the cable ties. Cut off the excess length of the cable ties.

7.15 Fuel and engine oil



Avoid damage to the machine

Top up engine oil before starting for the first time. Use a suitable filling aid when topping up the engine oil and when refuelling (e.g. funnel).

Engine oil:

Please consult the engine instruction manual for the type of engine oil to be used and the oil capacity. Check the oil filling level at regular intervals (see engine instruction manual). Avoid exceeding or falling below the correct oil level.

Screw on the oil tank cap properly before operating the engine.



Fuel:

Recommendation:
Fresh good quality fuels,
unleaded petrol.

Please consult the engine instruction manual for details on the fuel quality (octane rating).



8. Controls

8.1 Throttle lever

The engine speed can be controlled via throttle lever (1).



Start position:

- Pull throttle lever (1) **back** to the stop.
- The engine can be started. (⇒ 11.6)



Stop position:

- Push throttle lever (1) **forwards** to the stop (note detent).
- The engine stops after a few seconds.



Engine speed control:

- Move throttle lever (1) when the engine is running.

Engine speed:

Fast



Slow



8.2 Self-propulsion levers

The drive is engaged or disengaged by actuation of a self-propulsion lever (1, 3) when the engine is running – the drive shaft begins to rotate or is stopped.

When the **black** self-propulsion lever (forwards) (1) is actuated and with the hoes installed, the tiller moves **forwards** upon contact with the ground.



When the **red** self-propulsion lever (reverse) (3) is actuated and with the hoes installed, the tiller moves **backwards** upon contact with the ground.

The self-propulsion levers are mechanically locked for safety reasons. This prevents inadvertent actuation. (⇒ 9.1)

Furthermore, on models MH 445 R, MH 560, MH 585, MH 685, only one self-propulsion lever can be depressed at a time due to a mechanical locking device – either the self-propulsion lever (forwards) or the self-propulsion lever (reverse).



Avoid damage to the machine!

Actuation of the self-propulsion lever should be performed quickly and promptly. Do not dwell in the half-pressed position – prevent excessive wear to the V-belt.

Actuating self-propulsion lever (forwards):



- **1** Press and hold release lever (2) to the stop against self-propulsion lever (forwards) (1).
- **2** Press self-propulsion lever (forwards) (1) quickly to the stop and hold.
- Release release lever (2).
The drive is engaged and the drive shaft rotates.
- **3** Disengaging the drive:
Release self-propulsion lever (forwards) (1).

Actuating self-propulsion lever (reverse) (MH 445 R, MH 560, MH 585, MH 685):



- **1** Press and hold release lever (4) to the stop against self-propulsion lever (reverse) (3).

- **2** Press self-propulsion lever (reverse) (3) quickly to the stop and hold.
- Release release lever (4). The drive is engaged and the drive shaft rotates.
- **3** Disengaging the drive: Release self-propulsion lever (reverse) (3).

9. Safety devices

The machine is equipped with several safety devices for safe operation and for the prevention of improper use.



Risk of injury!

Safety devices must not be removed, bypassed, modified or damaged. If a safety device is found to be defective, the machine must not be operated. Consult a specialist dealer; STIHL recommends STIHL specialist dealers.

9.1 Self-propulsion lever lock

The self-propulsion levers are mechanically locked for safety reasons. This prevents inadvertent actuation.

The relevant release lever must be pressed before the self-propulsion lever can be actuated. (⇒ 8.2)

9.2 Safety devices

The tiller is equipped with safety devices, which prevent inadvertent contact with the work tools and protect against objects thrown up by the machine.

These include the side impact protectors, guard plate and correctly-installed handlebar.

10. Notes on working with the machine

10.1 Working area for operator



- For safety reasons, the operator must stay within the working area (grey area 1) for the entire operating period (when the engine is running).
- The tiller must only be operated by one person. Other persons must keep out of the danger area. (⇒ 4.)

10.2 Working position of the machine



- The tiller must only be operated when it is standing on the ground (engine at the top). The tiller must be kept as horizontal as possible during the entire operating period. Avoid excessive tilting or tipping.

10.3 Hoe combinations



Always mount the same number of hoes on the left and right drive shafts.

The plant protection disc can be installed in conjunction with all the hoe combinations described. This protects the surrounding plants – when tilling in a narrow bed, for example.

Possible combinations MH 445, MH 445 R:

- 2 hoes:
one single-row hoe per drive shaft
- 4 hoes:
two single-row hoes per drive shaft

Possible combinations MH 560:

- 2 hoes:
one dual-row hoe per drive shaft

Possible combinations MH 585, MH 685:

- 2 hoes:
one dual-row hoe per drive shaft
- 4 hoes:
one dual-row hoe and one single-row hoe per drive shaft

10.4 Ideal body position when working



The ideal body position helps to reduce fatigue during working.

For this purpose, the machine settings (handlebar height adjustment, brake spur adjustment) should be selected so that a straight posture (back) can be maintained during the entire operating period.

Ideal body position:

- straight back
- straight legs
- lower arms bent slightly downwards

11. Operating the machine

11.1 Preparatory measures



Risk of injury!

Please observe the safety instructions in the "For your safety" section (⇒ 4.) and familiarise yourself with the controls of the tiller. (⇒ 8.)

- Check engine oil level and refill tank. (⇒ 7.15)

11.2 Height adjustment of the upper handlebar



The height of the upper handlebar can be adjusted.

- Fold out the transport chassis. (⇒ 11.4)
- Firmly grasp upper handlebar (1) at handle (2) with one hand and hold.
- With the other hand, pull tension lever (3) towards the rear and hold.
- Set upper handlebar (1) to the required position.
- Press tension lever (3) forwards and ensure that the upper handlebar is fully engaged and fastened.
- Fold in the transport chassis if necessary. (⇒ 11.4)

11.3 Lateral adjustment of the handlebar



The handlebar can be adjusted laterally to three positions.

- Fold out the transport chassis. (⇒ 11.4)

- Hold the upper handlebar at a handle with one hand.
- Pull tension lever (1) upwards with the hand.
- Move the handlebar into the required position. Ensure that retaining lug (2) is located above one of the three holes (3).
- Press tension lever (1) forwards with the hand and clamp the handlebar.
- Check the handlebar for secure seating.
- Fold in the transport chassis if necessary. (⇒ 11.4)

11.4 Folding the transport chassis in and out



With the aid of the transport chassis, the tiller can be transported by pushing or pulling.



Risk of injury!

If the transport chassis is in the working position (folded upwards) and the release lever is pushed, the transport chassis can automatically drop into the transport position.

Folding out the transport chassis – transport position:

- Raise transport chassis (1) slightly with one hand and hold.
- Press release lever (2).
- Fold transport chassis (1) downwards to the stop and release the pressure on release lever (2). The transport chassis engages and is locked in place.

Folding in the transport chassis – working position:

- Hold transport chassis (1) with the hand and relieve the weight by lifting slightly.
- Press release lever (2) and fold the transport chassis upwards.
- Release the pressure on release lever (2) and fold the transport chassis upwards to the stop. The transport chassis engages and is locked in place in the working position.

11.5 Adjusting the brake spur



The brake spur is used to regulate the resistance and consequently the speed of propulsion during tilling. The brake spur can be adjusted in three stages for better control.

Adjusting the brake spur:

- Fold out the transport chassis into the transport position. (⇒ 11.4)
Ensure that the machine is standing stably and securely.
- Press release pin (1) and hold.
- Move brake spur (2) to the desired position.
- Release the pressure on release pin (1) and ensure that the brake spur engages.

11.6 Starting the engine



- Set the throttle lever to the start position. (⇒ 8.1)
- Grasp the handle of recoil starter rope (1) firmly with one hand and hold.

- Slowly pull out recoil starter rope (1) to the point of compression resistance. Then pull forcefully with one swift tug to arm's length. Slowly return recoil starter rope (1) so that it is rolled up again. Repeat the procedure until the engine starts.

11.7 Stopping the engine

- In order to stop the engine, move the throttle lever to the Stop position. (⇒ 8.1)
The engine comes to a stop after a short run-down time.

11.8 Engaging and disengaging self-propulsion (forwards)

Engaging self-propulsion (forwards):

- Move the tiller to the area to be tilled with the engine stopped. (⇒ 13.)
- Start the engine. (⇒ 11.6)
- Hold the tiller firmly at the handles with both hands.
- Actuate and hold the **black** self-propulsion lever (forwards). (⇒ 8.2)
The drive shaft with the installed work tools begins to rotate and the tiller moves forwards.

Disengaging self-propulsion (forwards):

- Release self-propulsion lever (forwards). (⇒ 8.2)
The drive shaft with the installed work tools stops.

11.9 Engaging and disengaging self-propulsion (reverse) (MH 445 R, MH 560, MH 585, MH 685)

The MH 445 R, MH 560, MH 585, MH 685 tillers are equipped with a reverse gear.

During tilling, the reverse gear serves exclusively to free the tiller more easily when it has become stuck. Reverse gear is not intended for tilling purposes.



Risk of injury!

Ensure sufficient space between the operator's body and the handlebar before engaging self-propulsion (reverse).

Engaging self-propulsion (reverse):

- Move the tiller to the area to be tilled with the engine stopped. (⇒ 13.1)
- Start the engine. (⇒ 11.6)
- Hold the tiller firmly at the handles with both hands.
- Actuate and hold the **red** self-propulsion lever (reverse). (⇒ 8.2)
The drive shaft with the installed work tools begins to rotate and the tiller moves backwards.

Disengaging self-propulsion (reverse):

- Release self-propulsion lever (reverse). (⇒ 8.2)
The drive shaft with the installed work tools stops.

11.10 Tilling

During tilling, rotating hoes are used to loosen the soil and prepare it for the sowing, cultivation or care of plants.



Risk of injury!

Only work in a forward direction. Beware of obstacles (e.g. stone slabs of paths), which must not be run over.

- Move the tiller to the area to be tilled with the engine stopped. (⇒ 13.1)
- Fold in the transport chassis. (⇒ 11.4)
- Start the engine. (⇒ 11.6)
- Hold the tiller firmly at the handles with both hands and maintain a secure footing – note working area for operator. (⇒ 10.1)
- Actuate and hold self-propulsion lever (forwards). (⇒ 11.8)
The hoes start to rotate and tilling can begin.
- After work is completed, disengage self-propulsion (⇒ 11.8), stop the engine (⇒ 11.7) and clean the machine (⇒ 12.2).

12. Maintenance



Risk of injury!

Carefully read the section "For your safety" (⇒ 4.), particularly the subsection "Maintenance and repairs" (⇒ 4.7), and follow all safety instructions exactly before performing any maintenance or cleaning operations on the machine.



Detach the spark plug socket before performing any maintenance or cleaning operations.

12.1 Removing the hoes



The complete hoe set together with the plant protection disc can be removed from the drive shaft by removing the folding retainer next to the gearbox housing. For assembly work on the hoes, follow the instructions in the "Mounting the hoes" (⇒ 7.7), (⇒ 7.8) and "Hoe combinations" (⇒ 10.3) sections.

- Allow the machine (engine, gearbox) to cool down completely.
- Place the tiller in the cleaning position. (⇒ 12.2)
- Removing the plant protection discs: Fold open the securing clip of folding retainer (1) and remove the folding retainer. Remove plant protection disc (2).
- Removing the hoes: Fold open the securing clip of folding retainer (3) and remove the folding retainer. Remove the hoe assembly (4).
- Remove the protection rings (5) and store safely – do not lose!

12.2 Cleaning the machine



Maintenance interval:

After each use

- Clean the entire machine thoroughly after each use. Care of the machine will protect it against damage and extend its service life.

- Before cleaning, allow the machine to cool down completely, detach the spark plug socket and wear long sleeves and thick gloves during cleaning work on the gearbox and hoes.

Cleaning position:



Avoid damage to the machine!

Only place the tiller in the illustrated position for short periods (cleaning and maintenance operations). Place the machine in the upright position during storage.

- Fold out the transport chassis. (⇒ 11.4)
- Move the upper handlebar to the uppermost position. (⇒ 11.2)
- Move the tiller onto firm and level ground.
- Tip the machine backwards until the handlebar rests on the ground.

Notes on cleaning:

- Remove the dirt and accumulated deposits using a brush, a damp cloth or a stick – do not use aggressive cleaning agents. STIHL recommends the use of a special cleaner (e.g. STIHL special cleaner).
- Never spray water onto the handlebar, engine components, seals or bearing points. This would result in expensive repairs.
- **Engine:** Remove dirt from the cooling ribs, fan wheel, area around the air filter, exhaust, etc. to ensure that the engine is adequately cooled.
- **Gearbox housing, chassis and hoes** can be cleaned using a water jet or high-pressure cleaner.



Avoid damage to the machine!

When using a high-pressure cleaner, maintain a distance of at least 1 m and never direct the water jet directly at bearing points, drive shaft or seals – especially the seal between the gearbox housing and guard plate.

12.3 Combustion engine

Maintenance interval: Before each use

Check the engine oil level (see engine instruction manual).

Observe the operating and maintenance instructions contained in the attached engine instruction manual.

12.4 Service intervals



Avoid damage to the machine!

Always have the gearbox maintained by a specialist dealer.

Maintenance by the specialist dealer: For private use, annually

Maintenance of the tiller should be performed by a specialist dealer. STIHL recommends STIHL specialist dealers.

Maintenance by the user:

- **Before each use**
Check the engine oil level (see engine instruction manual)
- **After each use**
Clean the machine. (⇒ 12.2)

12.5 Storage and periods of operation (winter break)



Store the tiller in the normal position (transport chassis folded out). For space-saving storage, fold the handlebar downwards as shown.



Danger of tipping over!

The tiller can tip over forwards if the hoes are poorly positioned. For that reason, always check that the tiller is stable.

If necessary, turn the hoes slightly to reduce the top-heaviness. Alternatively support the tiller in the area of the carrying handle during storage.

Store the machine in a dry, locked, dust-free room. Make sure that it is out of the reach of children.

Any faults must always be remedied prior to storage. The machine must always be in a safe operating condition. Keep all nuts, pins and screws tightly fastened, replace danger signs and warnings on the machine that have become illegible and check the entire machine for wear and damage. Replace all worn and damaged parts.

Also note the following points when storing the machine for long periods (winter break):

- Clean all external parts of the machine with care.
- Empty the fuel tank and carburettor.
- Thoroughly lubricate/grease all moving parts.

- Unscrew the spark plug (see engine instruction manual) and pour approx. 3 cm³ of engine oil into the engine via the spark plug hole. Turn the engine several times with the spark plug removed (pull the recoil starter rope).



Fire hazard!

Keep the spark plug socket away from the spark plug hole due to the danger of ignition.

- Screw the spark plug back in (see engine instruction manual).
- Perform an oil change (see engine instruction manual).
- Cover the engine and store the machine in the normal position.

13. Transport

13.1 Transporting the tiller



Risk of injury!

Observe the safety instructions in the "For your safety" section (⇒ 4.), especially the "Transport" section (⇒ 4.4).

Prior to transporting, stop the engine, detach the spark plug socket and put on suitable safety clothing (safety shoes, gloves, overall covering hands and legs).
Take weight into account! (⇒ 18.)

1 Pulling or pushing the tiller:

- Set the brake spur to the highest position. (⇒ 11.5)
- Fold out the transport chassis. (⇒ 11.4)

- Hold the tiller at both handles (1) and tilt backwards until the machine is standing on the transport wheels.

- Push or pull the tiller slowly (walking pace).

On firm and level ground, push the machine. On rough and uneven ground, it is advisable to pull the machine.



Risk of injury!

Due to the heavy weight of the machine, particular care must be taken at steps, kerbs, sloping ramps and other raised areas. The user must always stand higher than the machine, in order to avoid being run over by the machine in the case of loss of control – i.e. push the machine down or pull the machine up steps and slopes. Do not push or pull the machine over more than two or three steps. Where there are more steps, carry the tiller with the help of a second person.

2 Lifting or carrying the tiller:

- Check that the upper handlebar is seated securely.
- Lift and carry the tiller with at least two persons and always maintain a sufficient distance from the hoes.

Lifting points:

Handles (1) and carrying handle (2)

3 Transporting the tiller on a load floor:

- Always transport the tiller in the upright position – on the transport chassis and hoes. Never place the machine on its side.
- To ensure stability, fold out the transport chassis (⇒ 11.4) and mount the hoes (⇒ 7.7), (⇒ 7.8).

- Secure the tiller on the load floor using ropes or straps to prevent it from slipping.

Lashing points:

Transport chassis axle (3) and hoe axle (4).

14. Environmental protection



The machine, its packaging and accessories are all produced from recyclable materials and must be disposed of accordingly.

By disposing of materials separately and in an environmentally-friendly manner, valuable resources can be re-used. For this reason, the machine should be disposed of for recycling at the end of its useful life.

14.1 Disposal

Waste products such as used oil (engine oil, gearbox oil) and fuel must always be disposed of properly.

Render the engine unusable prior to disposal. In particular, remove the ignition lead, empty the fuel tank and drain the engine oil.

Risk of injury from the hoes!

Always store an old tiller in a safe place prior to scrapping. Make sure that the machine and the hoes are kept out of the reach of children.

15. Minimising wear and preventing damage

Important information on maintenance and care of the product group

petrol tillers (STIHL MH)

STIHL assumes no liability for material or personal damage caused by the non-observance of information contained in the operating instructions, in particular with regard to safety, operation and maintenance, or which arise through the use of unauthorised attachment or spare parts.

Please always observe the following important information for the prevention of damage or excessive wear to your STIHL machine:

1. Wearing parts

Some parts of the STIHL machine are subject to normal wear even when used properly and must be replaced in due time depending on type and duration of use.

These include:

- V-belt
- Hoe
- Brake spur

2. Compliance with the information in this instruction manual

The STIHL machine must be used, maintained and stored with the care described in this instruction manual. Any damage caused by non-compliance with the safety, operating and maintenance instructions is the sole responsibility of the user.

This applies in particular to:

- Improper use of the product.

- Use of fuel and lubricants not approved by STIHL (lubricants, petrol and engine oil, see engine instruction manual).
- Product modifications not approved by STIHL.
- The use of attaching parts, attachments or cutting tools not approved by STIHL.
- Use of the product for sporting or competitive events.
- Resultant damage due to continued use of the product with defective components.

3. Maintenance operations

All operations listed in the section "Maintenance" must be performed regularly.

If these maintenance operations cannot be carried out by the user, a specialist dealer must be commissioned to perform them.

STIHL recommends that you have maintenance operations and repairs performed exclusively by a STIHL specialist dealer.

STIHL specialist dealers regularly attend training courses and are provided with technical information.

If these operations are neglected, faults may arise which are the responsibility of the user.

These include:

- Corrosive and other resultant damage caused by incorrect storage.
- Damage to the machine through the use of inferior-quality spare parts.

- Damage due to untimely or inadequate maintenance or damage due to maintenance or repair work not performed in the workshops of specialist dealers.

16. Standard spare parts

Folding retainer (hoes):
9396 021 3785

MH 445, MH 445 R

Complete hoe set, inside left:
6241 710 0200
Complete hoe set, inside right:
6241 710 0205
Complete hoe set, outside left:
6241 710 0210
Complete hoe set, outside right:
6241 710 0215

MH 560, MH 585, MH 685

Complete hoe set, inside left:
6241 710 0220
Complete hoe set, inside right:
6241 710 0225

MH 585, MH 685

Complete hoe set, outside left:
6242 710 0210
Complete hoe set, outside right:
6242 710 0215

17. EU - Declaration of conformity

17.1 STIHL MH 445.0, MH 445.0 R, MH 560.0, MH 585.0, MH 685.0 Tiller

STIHL Tirol GmbH
Hans Peter Stihl-Strasse 5
6336 Langkampfen
Austria

declares under our sole responsibility that

- design: tiller
- manufacturer's brand: STIHL
- type: MH 445.0, MH 445.0 R, MH 560.0, MH 585.0, MH 685.0
- serial number: 6241

complies with the relevant provisions of Directives 2000/14/EC, 2006/42/EC, 2014/30/EU and 2011/65/EU and has been developed and manufactured in accordance with the versions of the following standards valid on the date of manufacture: EN 709 and EN 14982 (where applicable).

Name and address of relevant, named location:

TÜV Rheinland LGA Products GmbH
Tillystrasse 2
D-90431 Nuremberg

The measured and guaranteed sound power levels were determined in accordance with Directive 2000/14/EC, Appendix VIII.

MH 445.0, MH 445.0 R

- Measured sound power level: 92 dB(A)
- Guaranteed sound power level: 93 dB(A)

MH 560.0, MH 585.0

- Measured sound power level: 91.3 dB(A)
- Guaranteed sound power level: 93 dB(A)

MH 685.0

- Measured sound power level: 92.4 dB(A)
- Guaranteed sound power level: 93 dB(A)

The technical documents are stored in the Product Approval department at STIHL Tirol GmbH.

The year of manufacture and machine number are indicated on the tiller.

Langkampfen, 02.11.2020

STIHL Tirol GmbH

p.p.



Matthias Fleischer, Head of Research and Development Division

p.p.



Sven Zimmermann, Head of Quality Division

18. Technical specifications

MH 445.0 / MH 445.0 R / MH 560.0 / MH 585.0 / MH 685.0

Serial number	6241
Engine, design	4-stroke combustion engine
Starter	Rope start
In accordance with Directive 2000/14/EC:	
Guaranteed sound power level $L_{WA,d}$	93 dB(A)

MH 445.0 / MH 445.0 R

Engine type	B&S Series 550 EX OHV RS
Displacement	140 ccm
Nominal output at nominal speed	2,2 - 3100 kW - rpm
Fuel tank	0,8 l
Tool	4 hoe elements, 2 plant protection discs
Hoe set diameter	30 cm
Hoe set working speed at test speed	124 rpm
Test speed	3100 rpm

In accordance with Directive 2006/42/EC:

Sound pressure level at workplace L_{pA}	80 dB(A)
Uncertainty K_{pA}	2 dB(A)
Specified vibration characteristic in accordance with EN 12096:	
Measured value a_{hw}	5,50 m/s ²
Uncertainty K_{hw}	2,20 m/s ²
Measurement in accordance with EN 20643	

MH 445.0 / MH 445.0 R

Drive MH 445.0	1 forward gear
Drive MH 445.0 R	1 forward gear 1 reverse gear
Weight	36 kg/37 kg

MH 560.0/ MH 585.0

Engine type	Kohler HD675
Displacement	149 ccm
Nominal output at nominal speed	2,3 - 3000 kW - rpm
Fuel tank	1,4 l
Tool MH 560.0	2 hoe elements, 2 plant protection discs
Tool MH 585.0	4 hoe elements, 2 plant protection discs
Hoe set diameter	32 cm
Hoe set working speed at test speed	120 rpm
Test speed	3000 rpm

In accordance with Directive 2006/42/EC:

Sound pressure level at workplace L_{pA}	79 dB(A)
Uncertainty K_{pA}	2 dB(A)
Specified vibration characteristic in accordance with EN 12096:	
Measured value a_{hw}	5,00 m/s ²
Uncertainty K_{hw}	2,50 m/s ²

Measurement in accordance with EN 20643

Drive	1 forward gear 1 reverse gear
Weight	41 kg/44 kg

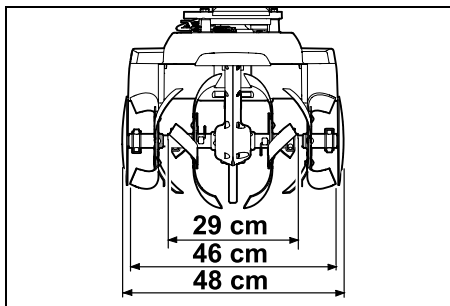
MH 685.0

Engine type	Kohler HD775
Displacement	173 ccm

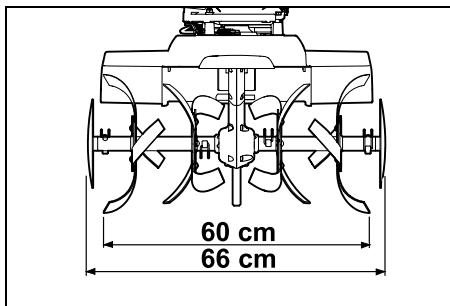
MH 685.0

Nominal output at nominal speed	2,9 - 3200 kW - rpm
Fuel tank	1,4 l
Tool	4 hoe elements, 2 plant protection discs
Hoe set diameter	32 cm
Hoe set working speed at test speed	128 rpm
Test speed	3200 rpm
In accordance with Directive 2006/42/EC:	
Sound pressure level at workplace L_{pA}	80 dB(A)
Uncertainty K_{pA}	2 dB(A)
Specified vibration characteristic in accordance with EN 12096:	
Measured value a_{hw}	6,00 m/s ²
Uncertainty K_{hw}	2,40 m/s ²
Measurement in accordance with EN 20643	
Drive	1 forward gear 1 reverse gear
Weight	46 kg

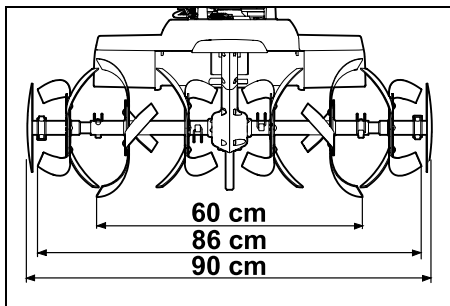
MH 445.0, MH 445.0 R:



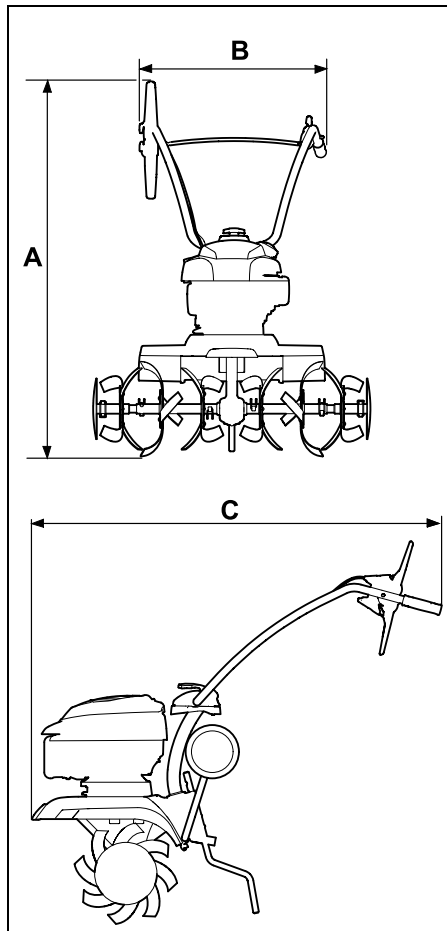
MH 560.0:



MH 585.0, MH 685.0:



MH 445.0, MH 445.0 R, MH 560.0,
MH 585.0, MH 685.0:



MH 445.0, MH 445.0 R:

A = 118 cm
B = 57 cm
C = 122 cm

MH 560.0, MH 585.0, MH 685.0:

A = 119 cm
B = 57 cm
C = 122 cm

18.1 REACH

REACH is an EC Directive for the registration, evaluation, authorisation and restriction of chemicals.

Information on compliance with the REACH Directive (EC) No. 1907/2006 is available from www.stihl.com/reach.

19. Troubleshooting

✘ If necessary, contact a specialist dealer; STIHL recommends STIHL specialist dealers.

📖 See engine instruction manual.

Fault:

Engine does not start

Possible cause:

- Throttle lever in Stop position
- No fuel in tank; fuel line blocked
- Inferior, dirty or old fuel in tank
- Spark plug socket detached from spark plug; ignition lead not properly fastened to socket
- Spark plug dirty or damaged; incorrect electrode gap
- Dirty air filter
- Engine is flooded due to several starting attempts.

Remedy:

- Set throttle lever to Start position (⇒ 8.1)
- Fill fuel tank (⇒ 7.15); Clean fuel lines (✘)
- Use fresh, good quality fuel, unleaded petrol (⇒ 7.15); clean carburettor (✘)

- Connect spark plug socket (📖); check connection between ignition lead and socket (✖)
- Clean/replace spark plug (📖), (✖); Adjust electrode gap (✖)
- Clean/replace air filter (✖)
- Remove spark plug and dry, set throttle lever to Stop position and pull recoil starter rope repeatedly with the spark plug removed (📖)

Fault:

Starting problems or deteriorating engine power

Possible cause:

- Water in fuel tank and carburettor; carburettor blocked
- Contaminated fuel tank
- Dirty air filter
- Dirty spark plug

Remedy:

- Empty fuel tank, clean fuel line and carburettor (✖)
- Clean fuel tank (✖)
- Clean/replace air filter (📖), (✖)
- Clean/replace spark plug (📖), (✖)

Fault:

Engine overheating

Possible cause:

- Dirty cooling ribs
- Oil level in engine too low
- Surface of engine covered with earth

Remedy:

- Clean cooling ribs (⇒ 12.2)
- Top up engine oil (⇒ 7.15)
- Remove earth from the engine

Fault:

Engine running roughly

Possible cause:

- Dirty air filter

Remedy:

- Clean/replace air filter (📖), (✖)

Fault:

Heavy smoke formation

Possible cause:

- Oil level is too high
- Dirty air filter

Remedy:

- Adapt oil quantity (📖)
- Clean/replace air filter (📖), (✖)

Fault:

Excessive vibration during operation

Possible cause:

- Loose engine mounting

Remedy:

- Tighten engine mounting bolts (✖)

Fault:

Reduced tilling performance

Possible cause:

- Hoes incorrectly mounted
- Worn hoes
- Brake spur incorrectly adjusted

Remedy:

- Mount hoes correctly (⇒ 7.7), (⇒ 7.8)
- Replace hoes (✖)
- Adjust brake spur (⇒ 11.5)

Fault:

No tilling performance

Possible cause:

- No folding retainer in drive shaft

Remedy:

- Check attachment of hoes to drive shaft (⇒ 7.7), (⇒ 7.8)

Fault:

Loud gearbox noise

Possible cause:

- Incorrect gearbox oil level

Remedy:

- Check gearbox oil level (✖)

Fault:

Drive shaft does not rotate when self-propulsion lever is actuated

Possible cause:

- Cable defective
- Worn drive belt

Remedy:

- Check/replace cable (✖)
- Replace drive belt (✖)

20. Service schedule

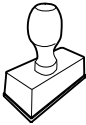
20.1 Handover confirmation

Model: _____

Serial number:

--	--	--	--	--	--	--	--	--

Date: |_|_| |_|_| |_|_|



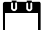
Next service


Date: |_|_| |_|_| |_|_|

20.2 Service confirmation



Please hand this instruction manual to your STIHL specialist dealer in the case of maintenance operations. He will confirm the service operations performed in the pre-printed boxes.

 Service performed on

 Next service date

Kjære kunde,

vi er glade for at du har valgt STIHL. Vi utvikler og produserer våre produkter i topp kvalitet i samsvar med behovene til våre kunder. Dermed skapes produkter med høy pålitelighet selv ved ekstrem belastning.

STIHL står også for topp kvalitet ved servicen. Vår faghandel sikrer kompetent rådgivning og opplæring, samt omfattende teknisk omsorg.

Vi takker for din tiltro og ønsker deg god fornøyelse med ditt STIHL produkt.

Dr. Nikolas Stihl

VIKTIG! LESES FØR BRUK OG OPPBEVARES.

1. Innholdsfortegnelse

Om denne bruksanvisningen	46
Generell informasjon	46
Slik leser du denne bruksanvisningen	46
Maskinbeskrivelse	46
For din egen sikkerhet	47
Generell informasjon	47
Fylle på drivstoff – håndtering av bensin	48
Bekledning og utstyr	48
Transport av maskinen	48
Før arbeidet	49
Under arbeidet	50
Vedlikehold og reparasjoner	51
Lagring ved lengre driftsopphold	52
Kassering	53
Symbolforklaring	53
Produktkomponenter	53
Gjøre maskinen klar for bruk	54
Monteringsanvisninger	54
Montere understellet	54
Montere bremsestagnet	54
Montere styret	55
Felle opp styret	55
Montere beskyttelseslister	55
Montering av knivsett MH 445, MH 445 R	55
Montering av knivsett MH 445, MH 585, MH 685	56
Montere plantebeskyttelsesskiven	57
Montere fremdriftshendelen	57
Legge fremdriftsvaieren	57
Feste fremdriftsvaieren	57
Legge og montere gassvaieren	57
Feste vaiere på styret	57
Drivstoff og motorolje	58
Betjeningselementer	58
Hendel for gassregulering	58
Fremdriftshendel	58
Sikkerhetsutstyr	59
Låse fremdriftshendelen	59
Sikkerhetsanordninger	59
Informasjon om arbeid	59
Brukerens arbeidsområde	59
Maskinens arbeidsposisjon	59
Knivsettkombinasjoner	59
Ideell kroppsstilling under arbeidet	60
Ta maskinen i bruk	60
Forberedelser	60
Justere høyden på styreoverdelen	60
Sidejustering av styret	60
Felle ut og inn transportunderstellet	60
Justere bremsestagnet	60
Starte forbrenningsmotoren	61
Slå av forbrenningsmotoren	61
Koble inn/ut fremdriften (forover)	61
Koble inn/ut fremdriften (bakover) (MH 445 R, MH 560, MH 585, MH 685)	61
Hakke	61
Vedlikehold	62
Demontere knivsettene	62
Rengjøring	62
Forbrenningsmotor	62
Serviceintervaller	63
Oppbevaring og vinterlagring	63
Transport	63
Transportere jordhakken	63
Miljøvern	64
Kassering	64

Minimere slitasjen og unngå skader	64
Vanlige reservedeler	65
EU-samsvarserklæring	65
Jordhakke STIHL MH 445.0, MH 445.0 R, MH 560.0, MH 585.0, MH 685.0	65
Tekniske data	66
REACH	67
Feilsøking	67
Serviceplan	69
Bekreftelse av overleveringen	69
Servicebekreftelse	69

2. Om denne bruksanvisningen

2.1 Generell informasjon

Denne bruksanvisningen er en **original bruksanvisning** fra produsenten i henhold til EU-direktiv 2006/42/EC.

STIHL arbeider kontinuerlig med å videreutvikle produktutvalget, og vi må av den grunn forbeholde oss retten til forandringer i produktenes form, teknikk og utstyr.

Det kan derfor ikke fremmes krav på grunnlag av informasjon og bilder i denne brosjyren.

I denne bruksanvisningen er det kanskje beskrevet modeller som ikke er tilgjengelig i alle land.

Denne bruksanvisningen er opphavsrettslig beskyttet. Alle rettigheter er forbeholdt, spesielt retten til mangfoldiggjøring, oversettelse og bearbeiding i elektroniske systemer.

2.2 Slik leser du denne bruksanvisningen

Bilder og tekst beskriver bestemte fremgangsmåter.

Alle symbolene som finnes på maskinen, er forklart i denne bruksanvisningen.

Synsretning:

Synsretning ved bruk av "venstre" og "høyre" i bruksanvisningen: Brukeren står bak maskinen og ser fremover i kjøreretningen.

Kapittelhenvisning:

En pil henviser til aktuelle kapitler og underkapitler som inneholder nærmere forklaring. Eksempelet under viser en henvisning til et kapittel: (⇒ 4.)

Merking av tekstavsnittene:

De beskrevne instruksene kan være utformet som i eksemplene nedenfor.

Fremgangsmåter som krever handling fra brukerens side:

- Løsne skruen (1) med en skrutrekker, og aktiver hendelen (2) ...

Generelle opplisteringer:

- Bruk av produktet i forbindelse med sportsarrangementer eller andre konkurranser

Tekst med ekstra betydning:

Tekstavsnitt med ekstra betydning er merket med et av symbolene som beskrives nedenfor, slik at disse fremheves spesielt i bruksanvisningen:



Fare!

Fare for uhell og alvorlig personskade. En bestemt handlemåte er nødvendig eller må unngås.



Advarsel!

Fare for personskade. En bestemt handlemåte hindrer mulige eller sannsynlige personskader.



Forsiktig!

Mindre skader eller materielle skader kan hindres ved å følge en bestemt handlemåte.



Merknad

Informasjon som hjelper brukeren med å bruke maskinen på en bedre måte og unngå feil bruk.

Tekst med bildereferanse:

Illustrasjonene som forklarer bruken av maskinen, finnes helt foran i bruksanvisningen.

Kamerasymbolet knytter bilder på illustrasjonssidene sammen med tilhørende tekst i bruksanvisningen.



3. Maskinbeskrivelse



- 1 Fremdriftshendel (forover)
- 2 Styreoverdel
- 3 Strammearm
- 4 Startsnor
- 5 Forbrenningsmotor
- 6 Tennpluggstøpsel
- 7 Beskyttelseslist
- 8 Plantebeskyttelsesskive
- 9 Knivsett

- 10 Bærehåndtak
- 11 Beskyttelseslist
- 12 Transportunderstell
- 13 Bremseslag
- 14 Friggjøringshendel (transportunderstell)
- 15 Låsebolt (bremseslag)
- 16 Håndtak
- 17 Hendel for gassregulering
- 18 MH 445 R, MH 560, MH 585, MH 685: Fremdriftshendel (bakover)
- 19 Merkeplate med maskinnummer

4. For din egen sikkerhet

4.1 Generell informasjon



Sørg for å følge alle sikkerhetsanvisningene når du arbeider med maskinen.



Før maskinen tas i bruk, må bruksanvisningen leses nøye og i sin helhet. Oppbevar bruksanvisningen på et trygt sted for senere bruk.

Les betjenings- og vedlikeholdsinformasjonen i den separate bruksanvisningen for forbrenningsmotoren.

Disse forholdsreglene er svært viktige for din sikkerhet. Oversikten er imidlertid ikke utfyllende. Bruk alltid sunn fornuft og opptre ansvarlig når du bruker maskinen. Husk at det er brukeren som er ansvarlig hvis det oppstår ulykker som involverer andre personer eller andres eiendom.

Gjør deg kjent med betjeningselementene, reguleringsdelene og bruken av maskinen. Det er spesielt viktig at brukeren vet hvordan arbeidsverktøyet og forbrenningsmotoren raskt kan stanses.

Maskinen skal kun brukes av personer som har lest bruksanvisningen og er fortrolige med hvordan maskinen betjenes. Sørg for å få kyndig og praktisk opplæring før du tar i bruk maskinen for første gang. La forhandleren eller en annen fagkyndig gi deg en innføring i hvordan maskinen håndteres på en trygg måte.

Opplæringen skal særlig ha fokus på sikkerhet og viktigheten av å være forsiktig og konsentrert under arbeid med maskinen.

Selv om du betjener maskinen forskriftsmessig, vil det alltid være noe risiko forbundet med bruken.



Livsfare på grunn av kvelning!

Lek med emballasjen medfører kvelningsfare for barn. Sørg for at barn ikke leker med emballasjen.

Maskinen, inkludert alt tilleggsutstyr, må bare lånes eller gis bort til personer som har grunnleggende kunnskap om denne modellen og bruken av den. Bruksanvisningen er en del av maskinen og skal alltid følge med.

Maskinen skal bare brukes av personer som er opplagte og i god fysisk og psykisk form. Hvis du har helsemessige plager, må du spørre legen om arbeid med maskinen er tilrådelig. Maskinen skal ikke brukes etter inntak av alkohol, narkotiske stoffer eller medikamenter som fører til nedsatt reaksjonsevne.

Forsikre deg om at brukeren er fysisk, sensorisk og psykisk i stand til å betjene og arbeide med maskinen. Brukere med nedsatt fysisk, sensorisk eller psykisk funksjonsevne skal kun bruke gressklipperen under tilsyn eller etter anvisning fra en ansvarlig person.

Forsikre deg om at brukeren er myndig eller får yrkesopplæring under tilsyn iht. nasjonale bestemmelser.

Obs – fare for ulykker!

Jordhakken er kun ment for bearbeiding av jord som skal brukes til såing, dyrking eller plantepleie. Den skal kun brukes til formålene som beskrives i denne bruksanvisningen! Annen bruk er ikke tillatt og kan være farlig. Det kan oppstå personskader eller skader på maskinen.

På grunn av faren for personskade skal jordhakken ikke brukes til for eksempel følgende:

- arbeid på takbeplantninger og i balkongkasser
- kverning og finkutting av tre- og hekkavfall

Maskinen skal ikke brukes til å transportere gjenstander, dyr eller personer (særlig barn).

Av sikkerhetsmessige årsaker er enhver endring på maskinen, med unntak av montering av tilbehør som er godkjent av STIHL, forbudt, og vil føre til at garantien opphører. Kontakt din STIHL forhandler for informasjon om tillatt tilbehør.

Det er strengt forbudt å manipulere maskinen for å øke effekten eller endre turtallet til forbrenningsmotoren eller den elektriske motoren.

Ekstra forsiktighet kreves ved bruk på offentlige anlegg, i parker, på sportsanlegg, gater og i land- og skogbruk.



Obs! Fare for helseskade på grunn av vibrasjoner!

For stor belastning i form av vibrasjoner kan føre til skader på nerver og på blodsirkulasjonen, spesielt for personer med problemer med blodsirkulasjonen. Oppsøk lege hvis det oppstår symptomer som kan ha blitt utløst av vibrasjonsbelastning.

Slike symptomer oppstår hovedsakelig i fingrene, hendene eller håndleddene, og kjennetegnes ved (ufullstendig liste):

- følelsesløshet,
- smerter,
- tap av muskelkraft,
- endringer i hudfargen,
- ubehagelig prikking.

Hold godt fast i styret på de tiltenkte stedene med begge hender under arbeidet, men unngå et krampaktig grep.

Planlegg arbeidstidene for å unngå høye belastninger over en lengre periode.

Legg inn pauser og unngå å bruke jordhakken lenge om gangen. Langvarige vibrasjoner kan ha helseskadelig effekt.

4.2 Fulle på drivstoff – håndtering av bensin



Livsfare!

Bensin er giftig og svært lettantennelig.

Bensin skal bare oppbevares i godkjente beholdere (bensinkanner). Lokket på tanken og bensinkannen skal alltid skruss

på og strammes forskriftsmessig. Defekte lokk skal skiftes ut av sikkerhetsmessige årsaker.

Bensin og andre typer drivstoff skal aldri oppbevares eller avhendes i drikkeflasker eller lignende beholdere som det er fare for at noen kan komme til å drikke av ved en feiltagelse.



Bensin må holdes unna gnister, åpen ild, varmekilder og andre antennelseskilder. Røyking forbudt!

Drivstoffylling må skje utendørs, og det er ikke tillatt å røyke under fylling av drivstoff.

Slå av forbrenningsmotoren og la den avkjøles før du fyller drivstoff.

Fyll på bensin før du starter forbrenningsmotoren. Tanklokket må ikke åpnes, og bensin må ikke etterfylles når forbrenningsmotoren er i gang eller når den er varm.

Ikke overfyll drivstofftanken!

For at drivstoffet skal ha nok plass til å utvide seg må du aldri fylle på drivstofftanken utover den nedre kanten til påfyllingsstussen. Følg tilleggsanvisningene i bruksanvisningen for forbrenningsmotoren.



Hvis bensin renner over, må du ikke starte forbrenningsmotoren før du har rengjort overflaten der det er sølt bensin. Vent til bensinen er fordampet (tørk bort eventuelle bensinrester) før du forsøker å starte motoren.

Tørk alltid opp drivstofføsl.

Skift klær hvis du har fått bensin på klærne.

Maskinen må ikke oppbevares inne i en bygning når det er bensin på tanken. Bensindamp som oppstår, kan komme i kontakt med åpen ild eller gnister og antennes.

I tilfelle du må tømme tanken, må dette gjøres utendørs.

4.3 Bekledning og utstyr



Bruk alltid solide sko med såler med god gripeevne under arbeidet. Gå aldri barbert eller med sandaler når du arbeider.



Når maskinen vedlikeholdes, rengjøres eller transporteres, skal du også bruke solide hansker, og langt hår må knyttes og holdes vekke (hodetørkle, lue osv.).



Når du arbeider med maskinen, er det viktig at du bruker egnede og tettsittende klær, dvs . kjeledress (ikke arbeidsfrakk). Ikke ha på deg sjal, slips, smykker, klær med lange stropper, bånd eller lignende under arbeidet.

Hår, bekledning eller plaggdeler kan hekte seg i roterende deler. Dette kan føre til alvorlige skader.

4.4 Transport av maskinen

Bruk alltid hansker under arbeidet, slik at du unngår å skade deg på skarpe kanter og varme deler.

Ikke transporter maskinen mens forbrenningsmotoren er i gang. Før du transporterer maskinen, slår du av

forbrenningsmotoren, venter til arbeidsverktøyene har stanset og trekker ut tennpluggstøpselet.

Maskinen skal kun transporteres med avkjølt forbrenningsmotor og uten drivstoff.

Les spesielt informasjonen i kapitlet "Transport." Der oppgis det hvordan maskinen skal løftes og bindes fast. (⇒ 13.)

Maskinen skal alltid bæres av minst to personer. Bruk de angitte løftepunktene.

Bruk egnet lasteutstyr (lasterampe, løfteanordninger).

Av sikkerhetsmessige årsaker skal vippevinkelen ikke være mer enn 15° ved transport og lossing (dette gjelder særlig ved bruk av lasteramper).

Sikre maskinen og tilhørende deler på lasteflaten ved hjelp av egnede festemidler (stroppe, tau osv.). Aldri transporter maskinen usikret.

STIHL anbefaler at du transporterer jordhakken på en egnet tilhenger/lasteflate, og ikke inne i bilen (f.eks. i bagasjerommet).

Følg regionale forskrifter ved transport av maskinen, spesielt med hensyn til lastsikring og transport av gjenstander på lasteflater.

4.5 Før arbeidet

Sørg for at maskinen bare betjenes av personer som har lest bruksanvisningen.

Før idriftsettelse av maskinen må du teste om drivstoffsystemet er tett, særlig de synlige delene som f.eks. tanken, tankklokke og slangeforbindelsene. Ikke start motoren hvis systemet er utett –

brannfare!

Maskinen må i så tilfelle repareres av fagfolk før idriftsettelse.

Overhold de lokale forskriftene for når på døgnet hageredskaper med forbrenningsmotor kan brukes.

Se over hele området som skal bearbeides, og fjern store steiner, pinner, metalltråder og andre gjenstander som kan slynges opp foran maskinen.

Objekter som er skjult i bakken (vanningsanlegg, påler, vannventiler, fundamenter, strømledninger osv.), må markeres tydelig og unngås under arbeid med maskinen. Kjør aldri over slike objekter.

Skift ut eventuelle slitte eller defekte deler før du bruker maskinen. Informasjon om farer og advarsler som er blitt uleselig på maskinen, må skiftes ut. Du får nye klistremerker og alle andre reservedeler hos din STIHL forhandler.

Kontroller at tennpluggen sitter godt i tennpluggstøpslet før du begynner å bruke maskinen.

Sørg for at maskinen er i driftssikker stand før du bruker den. Kontroller før hver bruk:

- at hele maskinen er i forskriftsmessig montert tilstand.
- at sikkerhetsanordningene (f.eks. fremdriftshendelen, beskyttelseslistene, beskyttelseshettene, beskyttelsesdekslene, styret, beskyttelsesgitteret) er i feilfri stand og fungerer forskriftsmessig. Ikke bruk maskinen hvis noen av sikkerhetsanordningene mangler eller viser tegn på skader/slitasje.

- at arbeidsverktøyene (knivsettene), festeskruene og splintene er montert og ikke er slitt eller skadet (har hakk eller riper). Slitte eller skadde deler må skiftes ut.
- at arbeidsverktøyene (knivsettene) er godt festet.
- at fremdriftshendlene fungerer og er lett bevegelige.
- at tankklokke er forskriftsmessig skrudd på.
- at tanken, delene som bidrar til drivstofftilførselen, samt tankklokke er i feilfri stand.
- at låseskruen på oljepåfyllingsklokke er forskriftsmessig skrudd til.
- at tilbehøret som brukes, er fullstendig og forskriftsmessig montert på maskinen. Alle komponentene som følger med ved levering av tilbehøret, må monteres eller brukes.

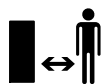
Sørg for å få utført nødvendige arbeider, enten selv eller hos en forhandler. STIHL anbefaler at du kontakter STIHL forhandleren.

Beskyttelseslistene til venstre og høyre er tilpasset arbeidsbredden, og må alltid vært forskriftsmessig montert. Hvis arbeidsbredden på modellene MH 445 og MH 445 R utvides med ekstra knivsett (STIHL tilbehør), må det samtidig monteres større beskyttelseslister (leveres sammen med tilbehøret).

Bruk transporthjulene for å skyve eller trekke maskinen til området som skal bearbeides.

Fjern eventuelle gjenstander (verktøy, kluter osv.) som ligger på maskinen før du starter den.

4.6 Under arbeidet



Se til at ingen oppholder seg i fareområdet! Ikke bruk maskinen når dyr eller personer (spesielt barn) oppholder seg i fareområdet.

Obs! – Jord, steiner osv. slynges opp eller til sidene under arbeidet.

Maskinen skal kun brukes av én person om gangen. Ikke forlat arbeidsområdet så lenge forbrenningsmotoren er i gang. (⇒ 10.1)

Mens maskinen kjører, skal den kun løftes, skyves eller dras etter håndtakene på styret. Ikke forsøk selv eller tillat andre å løfte, skyve eller dra maskinen etter transporthåndtaket, beskyttelsesplaten eller andre maskindeler.

Koblings- og sikkerhetsinnretningene som er montert på maskinen, skal ikke fjernes eller omgås. Det er spesielt viktig at fremdriftshendelen ikke festes (bindes fast) til styreoverdelen.



STOP

Obs – fare for personskader!

Pass på at ikke hender og føtter kommer i kontakt med

roterende deler. Overhold sikkerhetsavstanden mellom styret og maskinen. Sikkerhetsavstanden tilsvarer lengden på det forskriftsmessig monterte og utfelte styret – ikke utfør endringer på styret, og ikke bruk maskinen med nedfelt styre.

Ingen gjenstander må festes på styret (f.eks. arbeidsklær).

Arbeid bare i dagslys eller med god kunstig belysning.

Arbeid ikke med maskinen ved regn eller tordenvær, spesielt ikke hvis det er fare for lynnedslag.

Fuktig og glatt underlag gjør at faren for ulykker øker.

Vær forsiktig under arbeidet slik at du ikke glir. Unngå om mulig å bruke maskinen på fuktig underlag.

Ikke bruk maskinen på asfalt, belegningsstein osv. når knivsettene er montert.

Vær spesielt forsiktig når du bruker maskinen i nærheten av nedoverbakker, kanter i terrenget, grøfter og dammer. Pass spesielt på at du holder tilstrekkelig avstand til slike fareområder.

Eksos:



Livsfare på grunn av forgiftning!

Stans arbeidet umiddelbart hvis du føler deg uvel, har hodesmerter, synsforstyrrelser (f.eks. hvis synsfeltet blir mindre), hørselsproblemer, blir svimmel eller merker at konsentrasjonsevnen er svekket. Disse symptomene kan blant annet skyldes høy eksoskonsentrasjon.



Det dannes giftige eksosgasser straks forbrenningsmotoren er i gang. Disse gassene inneholder giftig karbonmonoksid, en gass uten farge og lukt, og andre skadestoffer. Du må aldri la forbrenningsmotoren gå i lukkede eller dårlig ventilerte rom.

Vær oppmerksom på i hvilken retning eksosen slippes ut. Ikke rett eksosrøret mot personer.

Starte:

Vær svært forsiktig når du starter maskinen – følg anvisningene i kapitlet "Ta i bruk maskinen" (⇒ 11.). Start i samsvar med disse anvisningene reduserer faren for personskader.

Fare for personskade!

Når startsnoren går raskt tilbake, trekkes hånd og arm raskere mot forbrenningsmotoren enn startsnoren kan slippes. Dette tilbakeslaget kan føre til benbrudd, klemskader og forstuinger.

Pass på at du står med føttene i god avstand fra arbeidsverktøyene.

Pass på at maskinen ikke velter når du starter den.

Ikke betjen fremdriftshendelen når du starter maskinen.

Arbeide i skråninger:

Jobb alltid i tverrgående retning i skråninger, aldri på langs. Ikke stå nedenfor maskinen når du arbeider i skråninger. Hvis du mister kontrollen over maskinen, kan du få den over deg.

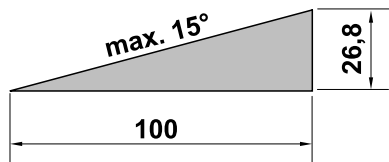
Vær spesielt forsiktig når du endrer retning i skråninger.

Sørg for god stabilitet når du arbeider i skråninger, og unngå å arbeide i svært bratte skråninger.

Maskinen kan velte under arbeid i skråninger. Av sikkerhetsmessige årsaker skal ikke maskinen brukes i skråninger med stigning på mer enn 15° (26,8 %).

Fare for personskader!

15° skråning tilsvarer en vertikal stigning på 26,8 cm ved 100 cm horisontal lengde.



For å sikre tilstrekkelig smøring av forbrenningsmotoren når du arbeider i skråninger må du i tillegg følge instruksene i bruksanvisningen for forbrenningsmotoren.

Bruk:



Fare for personskader!

Hold aldri hender eller føtter under, over eller ved roterende deler.

Av sikkerhetsmessige årsaker skal du alltid ha begge hendene på styrehåndtakene når du bruker maskinen. Aldri betjen maskinen med bare én hånd.

Arbeidsdybden skal kun reguleres ved å trykke på bremseslaget.

Vær ekstra forsiktig når du bruker maskinen på vanskelig underlag (f.eks. på steinete eller hardt jordsmonn) – reduser rotasjonshastigheten til arbeidsverktøyene (reguler gassen).

Gå langsomt når du bruker maskinen – ikke løp mens du arbeider med maskinen. Ved høy hastighet under arbeidet øker faren for skade ved at du snubler, sklir osv.

Obs – fare for personskader!

Vær forsiktig, og sørg for tilstrekkelig avstand mellom arbeidsverktøyene (knivsettene) og føttene når du snur maskinen, trekker den mot deg eller bruker reversen.

Obs – her er det lett å snuble!

Vær oppmerksom på eventuelle hindringer bak deg når du beveger maskinen bakover.

Hvis maskinen har kjørt seg fast, slår du av forbrenningsmotoren og trekker ut tennpluggstøpselet. Få noen til å hjelpe deg med å løfte og få løs maskinen.

Slå av forbrenningsmotoren

- når maskinen skal vippes for transport.
- når du skyver/trekker maskinen fra eller til et område som skal bearbejdes.
- før du setter fra deg maskinen, eller når den skal stå uten tilsyn.
- før du fyller på drivstoff. Sørg for at forbrenningsmotoren er avkjølt før du fyller på drivstoff. **Brannfare!**
- når du skyver/trekker maskinen på et område som ikke skal bearbejdes.

Slå av forbrenningsmotoren og trekk ut tennpluggstøpselet:

- Før du fjerner blokkeringer.
- Før du løfter eller bærer maskinen.
- Før du transporterer maskinen.
- Før du ser over / rengjør maskinen eller utfører andre arbeider på den (f.eks. før du regulerer styret eller feller ut transportunderstellet).
- Hvis du har kommet borti en gjenstand, eller hvis maskinen vibrerer mer enn vanlig. I slike tilfeller må du kontrollere om maskinen, og da spesielt arbeidsverktøyene (knivsettene, knivsettfestene, drivakslene), viser tegn på skader. Få utført eventuelle nødvendige reparasjoner før du tar i bruk maskinen igjen.



Fare for personskade!

Sterke vibrasjoner er vanligvis tegn på feil.

Ikke bruk jordhakken hvis drivakselen er skadd eller bøyd, eller hvis arbeidsverktøyene viser tegn på skader.

Kontakt en fagperson (STIHL anbefaler STIHL forhandleren) for å få utført eventuelle nødvendige reparasjoner du ikke føler deg kvalifisert til å utføre selv.

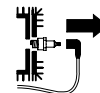
4.7 Vedlikehold og reparasjoner

Gjør følgende før du starter rengjørings-, justerings-, reparasjons- og vedlikeholdsarbeid:

- Parker maskinen på et fast og jevnt underlag.
- Slå av forbrenningsmotoren, og la den kjøle seg ned.
- Trekk ut tennpluggstøpselet.

Obs – fare for personskade!

Sørg for avstand mellom tennpluggstøpselet og tennpluggen. En utilsiktet tenningsgnist kan føre til brann eller elektrisk støt. En utilsiktet kontakt mellom tennpluggen og tennpluggstøpselet kan føre til uønsket start av forbrenningsmotoren.



Ved utføring av rengjørings- eller vedlikeholdsarbeid skal maskinen kun legges ned bakover. Hvis maskinen legges ned på siden eller forover, kan det oppstå skader på forbrenningsmotoren og andre maskindeler, og resultatet blir dyre reparasjoner.

La maskinen kjøle seg ned før du utfører vedlikeholdsarbeid på girkassen, forbrenningsmotoren, eksosrøret og

lyddemperen. Temperaturen kan komme opp i mer enn 80 °C. **Fare for brannskade!**

Unngå å søle med motoroljen eller få den på huden. Direkte hudkontakt kan være skadelig.

STIHL anbefaler at du lar en STIHL forhandler ta seg av å fylle på / skifte motorolje for deg.

Kontroller hele maskinen regelmessig med tanke på slitasje og skader. Dette er spesielt viktig når maskinen ikke skal brukes på en stund (f.eks. når den skal settes bort for vinteren). Skift ut slitte eller skadde deler, slik at maskinen alltid er i driftssikker stand.

Rengjøring:

Hele maskinen må rengjøres grundig etter hver bruk. (⇒ 12.2)

Bruk en trepinne for å løsne rester som har satt seg fast. Rengjør undersiden av maskinen med børste og vann.

Ikke bruk sterke rengjøringsmidler. Disse kan skade plast- og metaldeler og dermed redusere sikkerheten til din STIHL maskin.

Undersiden av maskinen (alle delene under beskyttelsesplaten) kan rengjøres med høytrykksvasker/dampstråler. Hold en avstand på minst 1 m, og unngå å rette vannstrålen direkte mot lagerpunkter og tetninger. Unngå særlig tetningen mellom girkassehuset og beskyttelsesplaten.

For å unngå brannfare er det viktig at området rundt kjøleluftåpningene holdes fritt for f.eks. gress, strå, mose, løv og fett.

Vedlikeholdsarbeider:

Bare vedlikeholdsarbeider som er beskrevet i denne bruksanvisningen, kan utføres av brukeren. Alle andre arbeider skal utføres av en forhandler. Kontakt **alltid** forhandleren hvis du

mangler nødvendig informasjon eller hjelpemidler.

STIHL anbefaler at alt vedlikeholdsarbeid og alle reparasjoner utføres hos en STIHL forhandler.

I tillegg til jevnlig tilbud om opplæring, får STIHL forhandlerne regelmessig tilsendt teknisk informasjon.

Bruk bare verktøy, tilbehør eller tilleggsutstyr som er godkjent for denne maskinen av STIHL, eller som korresponderer i teknisk utførelse. I motsatt fall kan det oppstå uhell som medfører personskader eller skader på maskinen. Kontakt forhandleren hvis du har spørsmål.

Originalt verktøy, tilbehør og originale reservedeler fra STIHL har egenskaper som gjør dem optimalt egnet for maskinen og kravene som brukeren stiller. Originale STIHL reservedeler kjennes igjen på STIHL reservedelsnummeret, STIHL logoen og eventuelt STIHL reservedelssymbolet. På små deler kan også symbolet stå alene.

Av sikkerhetsmessige årsaker skal komponenter i drivstofftilførselen (drivstoffrør, drivstoffventil, drivstofftank, tanklokk, koblinger osv.) jevnlig undersøkes for skader og lekkasje og ved behov skiftes ut hos en forhandler (STIHL anbefaler at du kontakter STIHL forhandleren).

Sørg for at advarsels- og merknadsklistremerker alltid er rene og lesbare. Bestill nye originale klistremerker hos STIHL forhandleren hvis klistremerker skades eller blir borte. Hvis en komponent skiftes ut med en ny del, må du passe på at samme klistremerker settes på den nye delen.

Sørg for at alle muttere, bolter og skruer sitter godt, slik at maskinen er i driftssikker stand.

Det er ikke tillatt å endre forbrenningsmotorens grunninnstilling. Unngå å la motoren gå med for høyt turtall.

Hvis det ble fjernet deler eller beskyttelsesinnretninger i forbindelse med vedlikeholdsarbeidet, må disse straks settes tilbake på forskriftsmessig vis når arbeidet er utført.

Når du skifter ut arbeidsverktøyene (knivsettene), må du passe på at knivsettypen og -kombinasjonen er godkjent av STIHL.

4.8 Lagring ved lengre driftsopphold

La forbrenningsmotoren avkjøles før du parkerer maskinen i et lukket rom.

Oppbevar maskinen og drivstoffkannen i et låsbart rom med god ventilasjon. Obs! Pass på at drivstofftanken i maskinen er tom.

Sørg for at maskinen er utilgjengelig for uvedkommende (f.eks. barn).

Maskinen skal aldri oppbevares inne i en bygning når det er bensin på tanken. Bensindampen som oppstår, kan komme i kontakt med åpen ild eller gnister og antennes.

Hvis tanken skal tømmes (f.eks. før den settes bort for vinteren), skal dette gjøres utendørs (tøm f.eks. tanken ved å la forbrenningsmotoren gå i friluft).

Rengjør maskinen grundig når den ikke skal brukes på lengre tid (f.eks. når den skal settes bort for vinteren).

Husk å fjerne tennpluggstøpselet når maskinen ikke skal brukes på en stund.

Sørg for at maskinen er i driftssikker stand når du setter den til lagring.

La maskinen avkjøles helt før du dekker den til.

4.9 Kassering

Avfallsprodukter som spillolje eller drivstoff, brukte smøremidler, filter, batterier og lignende slitedeler kan skade mennesker, dyr og miljø og må derfor kasseres på forskriftsmessig måte.

Kontakt nærmeste resirkuleringsstasjon eller forhandleren hvis du er usikker på hvordan avfallsproduktene skal kasseres. STIHL anbefaler at du kontakter STIHL forhandleren.

Sørg for at maskinen kasseres forskriftsmessig når den ikke lenger skal brukes. Les informasjonen i kapitlet "Miljøvern". (⇒ 14.)

5. Symbolforklaring



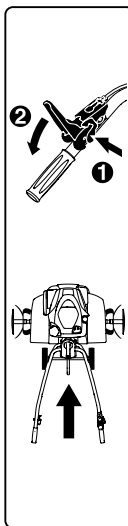
**Obs! –
Fare for personskader!**

Les bruksanvisningen og sikkerhetsforskriftene før bruk.

Roterende verktøy:
Hender og føtter må holdes borte fra roterende verktøy. Skal bare brukes med beskyttelsesdeksler.

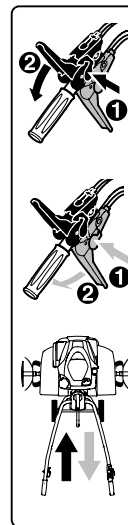
Pass på sikkerhetsavstanden.

Trekk ut tennpluggstøpset før vedlikeholds- og rengjøringsarbeider.



MH 445:

Av sikkerhetsmessige årsaker må du trykke inn frigjøringshendelen før du aktiverer fremdriftshendelen. Dette vil hindre utilsiktet aktivering av fremdriftshendelen.



MH 445 R, MH 560, MH 585, MH 685:

Av sikkerhetsmessige årsaker må du trykke inn den aktuelle frigjøringshendelen før du aktiverer fremdriftshendelen. Dette hindrer at fremdriftshendelen kan aktiveres utilsiktet. Den svarte fremdriftshendelen er for forovergir, og den røde er for revers.



Fare for brannskade!

Ikke ta på varme overflater. Girkassehuset blir varmt.

6. Produktkomponenter



Nr.	Betegnelse	Ant.
A	Basisenhet	1
B	Styre	1
C	Strammearm	1
D	Transportunderstell	1
E	Bremsestag	1
F	Beskyttelseslist, venstre	1
G	Beskyttelseslist, høyre	1

Nr.	Betegnelsen	Ant.
H	MH 445, MH 445 R: Knivsett	4
I	MH 560, MH 585, MH 685: Dobbelt knivsett	2
J	MH 585, MH 685: Enkelt knivsett	2
K	Beskyttelsesring	2
L	Plantebeskyttelsesskive	2
M	Fremdriftshendel (forover), svart	1
N	MH 445 R, MH 560, MH 585, MH 685: Fremdriftshendel (bakover), rød	1
O	MH 445: Låsemutter M6	1
P	MH 445: Deksel	1
Q	Låsemutter M6	1
R	Flathodet skrue M6	1
S	MH 445, MH 445 R, MH 585, MH 685: Klappsplint 10x40 MH 560: Klappsplint 10x40	6
T	Flathodet skrue M8	2
U	Sekskantmutter M8	2
V	Buntebånd	2
–	Bruksanvisning	1
–	Bruksanvisning Forbrenningsmotor	1
–	MH 560, MH 585, MH 685: Tennpluggnøkkel	1

7. Gjøre maskinen klar for bruk

7.1 Monteringsanvisninger



Fare for personskade!

Les og følg sikkerhetsanvisningene i kapitlet "For din sikkerhet". (⇒ 4.) Når du skal utføre arbeider på knivsettene, må du ta ut tennpluggstøpselet og bruke solide hansker.

Bruk det angitte dreiemomentet!

Legg og fest fremdrifts- og gassvaieren i tråd med instruksene.

Feilmonterte vaiere (f.eks. vaiere som er lagt feil eller festet i feil fremdriftshendel) kan forårsake funksjonsfeil.

- Alle de beskrevne arbeidsoppgavene skal utføres på et rent, horisontalt, jevnt og fast underlag.
- Pass på monteringsposisjonene, og sørg for at maskinen står stabilt og stødig.
- Følg monteringsanvisningene og fest vaierne til styret ved hjelp av **buntebånd**. Dette bidrar til å forhindre skader på maskinen (f.eks. ved at styret klapper sammen) eller mulig funksjonsfeil.

Fremdriftshendel, fremdriftsvaiere

MH 445:

- Svart fremdriftshendel på oversiden av styret.
- Fremdriftsvaier (forover).

MH 445 R, MH 560, MH 585, MH 685:

- Svart fremdriftshendel på oversiden av styret.
- Rød fremdriftshendel på undersiden av styret.
- Fremdriftsvaier (forover). Vaieren er utstyrt med en **svart hette**, og festes på den svarte fremdriftshendelen.
- Fremdriftsvaier (bakover). Vaieren er utstyrt med en **rød hette**, og festes på den røde fremdriftshendelen.

7.2 Montere understellet



- Monteringsstilling:
Fell basisenheten (A) forover slik bildet viser, og legg inn egnede treunderlag (1) (høyde 50 - 60 mm, bredde/lengde ca. 100 mm) for å stabilisere de to drivakslene.
- **1** Trykk festeklemmen (2) oppover, og hold den i denne stillingen.
- **2** Før transportunderstellet (D) inn i utsparingen (3) på bolten til frigjøringshendelen (4).
- Trykk transportunderstellet (D) oppover til det stopper, og hold det i denne stillingen.
- **3** Trykk festeklemmen (2) nedover. Før skruene (T) inn nedenfra på begge sider.
- **4** Sikre festeklemmen (2) ved å skru på begge mutrene (U).

7.3 Montere bremsestaget



- Monteringsstilling:
Se "Montere understellet" (⇒ 7.2)

- Trykk inn låsebolten (1), og hold den i denne stillingen.
- Før bremsestaget (E) inn i adapteren (2) nedenfra, og skyv det oppover til det stopper.
- Slipp låsebolten (1), og trekk bremsestaget (E) nedover til det går i grep.
- Kontroller at bremsestaget (E) er godt festet.

7.4 Montere styret



- **1** Monteringsstilling:
Se "Montere understellet" (⇒ 7.2)
- Ta av gummibåndet (1).
- **2** Løft konsollen (2), og hold den i denne stillingen.
- **3** Før styret (B) sentrert inn mellom konsollen (2) og styreunderdelen (3) til det stopper, og hold det i denne stillingen. Fjærspindelen (4) må løpe langs festejusteringen (5) som vist på bildet.
Kontroller den avbildede posisjonen til fjæren (4) i reguleringselementet (6), og hekt på fjæren ved behov.
- **4** Stram skruen (7).
- **5** Skru av mutteren (8) på strammearmen (C), og fjern den sammen med fjæren (9).
- Skyv strammearmen (C) med den integrerte skruen ovenfra gjennom konsollen (2) og styreunderdelen (3). Skyv fjæren (9) inn på strammearmen (C). Skru til mutteren (8) én eller to omdreininger.



Merk:

Monter strammearmen (C) slik at den må trykkes forover mot forbrenningsmotoren for å kunne strammes.

- **6** Velg midtstillingen til styreoverdelen (3). (⇒ 11.3)
- Skyv strammearmen (C) forover for hånd.
- Trekk til mutteren (8) med 5 Nm (ikke til den stopper).
- Kontroller festet:
Strammearmen (C) er riktig montert når den kan aktiveres med hånden uten at styret beveger seg på basisenheten.
- Etterjustere strammekraften:
Hvis styret ikke sitter skikkelig eller strammearmen ikke kan aktiveres med hånden, løsner du strammearmen og etterjusterer strammekraften ved å skru inn eller ut mutteren (8).
Skyv deretter igjen strammearmen forover for hånd.



Fare for personskade!

Maskinen må bare skyves eller trekkes med et styre som sitter godt fast på basisenheten (styret skal ikke sitte løst etter strammingen).

7.5 Felle opp styret



- Trekk strammearmen (1) oppover. Vipp opp styreoverdelen (2) i pilretningen.
- Trykk strammearmen (1) forover til den stopper.
- Still inn høyden på styret. (⇒ 11.2)

7.6 Montere beskyttelseslister



- Kontroller de forhåndsmonterte skruene (1) i beskyttelseslistene (F, G) – ikke skru dem helt ut.
- Sett jordhakken i rengjøringsstilling. (⇒ 12.2)
- Før den venstre beskyttelseslisten (F) med de tre forhåndsmonterte skruene (1) inn i de tre hullene (2) på dekkplaten.
- Skyv beskyttelseslisten (F) forover, og hold den i denne stillingen.
- Skru inn skruene (1), og trekk til med 10 - 12 Nm.
- Kontroller at beskyttelseslisten (F) er godt festet, og monter deretter høyre beskyttelseslist (G) på samme måte.

7.7 Montering av knivsett MH 445, MH 445 R



- Sett jordhakken i rengjøringsstilling. (⇒ 12.2)
- i** Følg monteringsanvisningen nøye. Vær særlig påpasselig med rekkefølgen, og sørg for at beskyttelsesringer, knivsett og klappsplinter monteres fullstendig. Sett på klappsplinten i retningen som bildet viser, og pass på plasseringen av sikringsbøylene. Ved feil/vridd montering kan klappsplinten løsne av seg selv og falle ut.

For å sikre godt arbeidsresultat må knivene i knivsettet peke forover (ikke mot styret) slik pilene angir.

Knivsettet omfatter følgende:

- Knivsett (1):
den ytre diameteren er den samme som på aksselfestet (2).
- Knivsett (3):
annen ytre diameter enn aksselfestet (4).

1

- Skyv beskyttelsesringen (K) inn på drivakselen (5) til den stopper. Utsparingene til beskyttelsesringen skal gripe inn i de tre festeknastene på girkassehuset (6).
- Plasser knivsettet (1) slik at det **korte** aksselfestet (2) vender mot girkassehuset, og knivene (7) peker forover. Pilene (8) på knivsettet skal peke i samme retning som pilen (9) på girkassehuset (6).
- Skyv knivsettet (1) inn på drivakselen (5).
- Vri knivsettet (1) slik at hullene på aksselfestet og drivakselen flukter.

2

- Stikk klappsplinten (S) gjennom hullene, og fell ned sikringsbøylen.

3

- Plasser knivsettet (3) slik at den **lille** ytre diameteren på drivakselen (4) vender mot det allerede monterte knivsettet (1), og knivene (7) peker forover. Pilene (8) på knivsettet skal peke i samme retning som pilen (9) på girkassehuset (6).
- Skyv knivsettet (3) inn i det ferdigmonterte knivsettet (1).
- Vri knivsettet (3) slik at hullene på de to knivsettene flukter.

4

- Stikk klappsplinten (S) gjennom hullene, og fell ned sikringsbøylen.
- Monter om nødvendig plantebeskyttelsesskiven. (⇒ 7.9)
- Følg samme prosedyre for å montere knivsettet på den andre siden.

7.8 Montering av knivsett MH 445, MH 585, MH 685



- Sett jordhakken i rengjøringsstilling. (⇒ 12.2)



Følg monteringsanvisningen nøye. Vær særlig påpasselig med rekkefølgen, og sørg for at beskyttelsesringer, knivsett og klappsplinter monteres fullstendig. Sett på klappsplinten i retningen som bildet viser, og pass på plasseringen av sikringsbøylen. Ved feil/vridd montering kan klappsplinten løsne av seg selv og falle ut.

For å sikre godt arbeidsresultat må knivene i knivsettet peke forover (ikke mot styret) slik pilene angir.

Knivsettet omfatter følgende:

- Knivsett (I):
to rads-knivsett.
- Knivsett (J):
én rads-knivsett.

1 MH 560, MH 585, MH 685

- Skyv beskyttelsesringen (K) inn på drivakselen (1) til den stopper. Utsparingene til beskyttelsesringen skal gripe inn i de tre festeknastene på girkassehuset (2).

- Plasser knivsettet (I) slik at det **korte** aksselfestet (3) vender mot girkassehuset, og knivene (4) peker forover. Pilene (5) på knivsettet skal peke i samme retning som pilen (6) på girkassehuset (2).
- Skyv knivsettet (I) inn på drivakselen (1).
- Vri knivsettet (I) slik at hullene på aksselfestet og drivakselen flukter.

2 MH 560, MH 585, MH 685

- Stikk klappsplinten (S) gjennom hullene, og fell ned sikringsbøylen.

3 MH 585, MH 685

- Plasser knivsettet (J) slik at den **lille** ytre diameteren på drivakselen (7) vender mot det allerede monterte knivsettet (I), og knivene (4) peker forover. Pilene (5) på knivsettet skal peke i samme retning som pilen (6) på girkassehuset (2).
- Skyv knivsettet (J) inn i det ferdigmonterte knivsettet (I).
- Vri knivsettet (J) slik at hullene på de to knivsettene flukter.

4 MH 585, MH 685

- Stikk klappsplinten (S) gjennom hullene, og fell ned sikringsbøylen.

MH 560, MH 585, MH 685

- Monter om nødvendig plantebeskyttelsesskiven. (⇒ 7.9)
- Følg samme prosedyre for å montere knivsettet på den andre siden.

7.9 Montere plantebeskyttelsesskiven



- i** Sett på klappsplinten i retningen som bildet viser, og pass på plasseringen av sikringsbøylene. Ved feil/vridd montering kan klappsplinten løsne av seg selv og falle ut.
- Sett plantebeskyttelsesplaten (L) på de ytre knivsettene. Vri plantebeskyttelsesskiven slik at hullene på skiven og knivsettet flukter.
 - Stikk klappsplinten (S) gjennom hullene, og fell ned sikringsbøylene.
 - Gjenta prosedyren på den andre siden.

7.10 Montere fremdriftshendelen



- Følg monteringsanvisningene. (⇒ 7.1)
- Stikk den svarte fremdriftshendelen (M) med den integrerte skruen (1) ovenfra og inn gjennom hullet på styreoverdelen.
- MH 445:
Skrue inn låsemutteren (O), og trekk til med 7 - 9 Nm. Sett på dekselet (P).
- MH 445 R, MH 560, MH 585, MH 685:
Plasser den røde fremdriftshendelen (N) slik at skruen på den svarte fremdriftshendelen kan skrues inn i mutteren på den røde hendelen.
Trykk den røde fremdriftshendelen (N) oppover mot styret. Skru inn skruen (1), og trekk til med 7 - 9 Nm.

7.11 Legge fremdriftsvaieren



- Følg monteringsanvisningene. (⇒ 7.1)
- **1** Vikle ut fremdriftsvaieren (forover) (1), og heng den i festeanordningen (2).
- **2** Trekk til mutterne (3) med 2 - 4 Nm.
- Trekk fremdriftsvaieren (forover) (1) oppover på følgende måte:
A Trekk fremdriftsvaieren (forover) (1) over styreoverdelen (4).
B Legg fremdriftsvaieren (forover) (1) under tverrstaget (5) på styreoverdelen.
- MH 445 R, MH 560, MH 585, MH 685:
Legg fremdriftsvaieren (bakover) (6) på høyre side av forbrenningsmotoren, under skiftestangen (7). Trekk vaieren oppover på rattet på samme måte som fremdriftsvaieren (forover).

7.12 Feste fremdriftsvaieren



- Følg monteringsanvisningene. (⇒ 7.1)
- ### Fremdriftsvaier (forover):
- Nippelen (1) på vaieren med svart hette (2) føres inn på den svarte fremdriftshendelen (M).
 - Før nippelen (1) gjennom åpningen (3) på hendelen (4). Bruk eventuelt en egnet tang.
 - Bruk en egnet tang for å trekke i nippelen (1) og feste den på hendelen (4) slik bildet viser.
 - Trykk hetten (2) godt ned på fremdriftshendelen (4).

Utføre funksjonskontroll:

- Betjen fremdriftshendelen. (⇒ 8.2)
Fremdriftshendelen skal være lett bevegelig.

Fremdriftsvaier (bakover)

MH 445 R, MH 560, MH 585, MH 685:

- Nippelen på vaieren med rød hette føres inn på den røde fremdriftshendelen.
- Følg deretter samme prosedyre som ved montering av fremdriftsvaieren (forover).

7.13 Legge og montere gassvaieren



- Følg monteringsanvisningene. (⇒ 7.1)
- Vikle ut gassvaieren (1), og legg den på følgende måte:
A Trekk gassvaieren over styreoverdelen (2).
B Legg gassvaieren under tverrstaget (3) på styreoverdelen.
- Stikk skruen (T) inn gjennom hullet på gassvaierhuset (4). Når du har satt inn skruen i gassvaierhuset, setter du huset innenfra på styreoverdelen og holder det i denne stillingen. Skru på låsemutteren (U), og trekk til med 7 - 9 Nm.

7.14 Feste vaier på styret



- Følg monteringsanvisningene. (⇒ 7.1)
- MH 445:
Fest fremdriftsvaieren (1) til høyre side av styreoverdelen ved hjelp av et buntband (V).

- MH 445 R, MH 560, MH 585, MH 685: Fest begge fremdriftsvaierne (1, 2) til høyre side av styreoverdelen ved hjelp av et buntebånd (V).
- Fest gassvaieren (3) til venstre side av styreoverdelen ved hjelp av et buntebånd (V).
- Kontroller at buntebåndet er godt festet. Skjær av den overskytende enden av buntebåndet.

7.15 Drivstoff og motorolje



Unngå skader på maskinen!

Fyll på olje før du starter motoren for første gang. Bruk en egnet påfyllingstrakt når du fyller på motorolje eller drivstoff.

Motorolje:

Se bruksanvisningen for forbrenningsmotoren for mer informasjon om anbefalt motorolje og oljepåfyllingsmengde.

Sjekk oljenivået regelmessig (se bruksanvisningen for forbrenningsmotoren).

Unngå for høyt eller for lavt oljenivå. Fare for motorskade!

Skru på lokket for motoroljen og kontroller at det er tett før du tar i bruk forbrenningsmotoren.

Drivstoff:

Anbefaling: kvalitetsdrivstoff, blyfri bensin.

Se bruksanvisningen for forbrenningsmotoren for mer informasjon om anbefalt drivstoffkvalitet (oktan).



8. Betjeningselementer

8.1 Hendel for gassregulering

Turtallet til forbrenningsmotoren kan reguleres ved hjelp av hendelen for gassregulering (1).

Start-posisjon:

- Trekk hendelen for gassregulering (1) **bakover** til den stopper.
- Forbrenningsmotoren kan nå startes. (⇒ 11.6)

Stopp-posisjon:

- Skyv hendelen for gassregulering (1) **forover** til den stopper (vær oppmerksom på sperretrinnet).
- Forbrenningsmotoren stopper etter få sekunder.

Turtallregulering:

- Skyv hendelen for gassregulering (1) mens forbrenningsmotoren kjører.

Motorturtall:

høyt

lavt



8.2 Fremdriftshendel



Når du betjener en av fremdriftshendlene (1, 3) mens forbrenningsmotoren er i gang, kobles fremdriften inn eller ut (drivakselen begynner å dreie eller stopper).

Den **svarte** fremdriftshendelen (forover) (1) brukes for å kjøre jordhakken **forover** når den står på bakken og knivsettene er montert.

Den **røde** fremdriftshendelen (bakover) (3) brukes for å kjøre jordhakken **bakover** når den står på bakken og knivsettene er montert.

Av sikkerhetsmessige årsaker har fremdriftshendlene en mekanisk sperre som hindrer utilsiktet innkobling. (⇒ 9.1) Modellene MH 445 R, MH 560, MH 585, MH 685 er utstyrt med en mekanisk sikring som gjør at det kun er mulig å trykke inn én fremdriftshendel – enten fremdriftshendelen (forover) eller fremdriftshendelen (bakover).



Unngå skader på maskinen!

For å unngå unødvendig slitasje på kileremmen er det viktig at du betjener fremdriftshendelen raskt og jevnt, og unngår å la den bli stående i halvveis inntrykt posisjon.

Betjene fremdriftshendelen (forover):



- Trykk **1** frigjøringshendelen (2) mot fremdriftshendelen (forover) (1) til den stopper, og hold den der.
- Trykk **2** fremdriftshendelen (forover) (1) jevnt inn til den stopper, og hold den i denne posisjonen.

- Slipp opp frigjøringshendelen (2). Fremdriften er koblet inn, og drivakselen dreier.
- **3** Koble ut giret: Slipp opp fremdriftshendelen (forover) (1).

Betjene fremdriftshendelen (bakover) (MH 445 R, MH 560, MH 585, MH 685):



- Trykk **1** frigjøringshendelen (4) mot fremdriftshendelen (bakover) (3) til den stopper, og hold den der.
- Trykk **2** fremdriftshendelen (bakover) (3) jevnt inn til den stopper, og hold den i denne posisjonen.
- Slipp opp frigjøringshendelen (4). Fremdriften er koblet inn, og drivakselen dreier.
- **3** Koble ut giret: Slipp opp fremdriftshendelen (bakover) (3).

9. Sikkerhetsutstyr

Maskinen har flere anordninger som gjør den sikker å bruke og beskytter mot feil bruk.



Fare for personskade!

Sikkerhetsanordningene skal være på plass, og ikke være kortsluttet, endret eller skadet. Ikke bruk maskinen hvis du oppdager denne typen feil på sikkerhetsanordningene. Kontakt en forhandler. STIHL anbefaler STIHL forhandleren.

9.1 Låse fremdriftshendelen

Av sikkerhetsmessige årsaker har fremdriftshendlene en mekanisk sperre som hindrer utilsiktet innkobling.

Før du kan aktivere en av fremdriftshendlene, må du trykke inn den tilsvarende frigjøringshendelen. (⇒ 8.2)

9.2 Sikkerhetsanordninger

Jordhakken er utstyrt med sikkerhetsanordninger som skal hindre utilsiktet kontakt med arbeidsverktøyene og beskytte mot gjenstander som kastes ut.

Dette innbefatter beskyttelseslistene på siden, beskyttelsesplaten og det forskriftsmessig monterte styret.

10. Informasjon om arbeid

10.1 Brukerens arbeidsområde



- Brukeren må av sikkerhetsmessige grunner oppholde seg i arbeidsområdet (det grå området 1) så lenge forbrenningsmotoren kjører.
- Jordhakken skal kun brukes av én person om gangen. Se til at ingen oppholder seg i fareområdet. (⇒ 4.)

10.2 Maskinens arbeidsposisjon



- Jordhakken må stå på bakken (forbrenningsmotoren vender opp) når den tas i bruk. Hold jordhakken mest mulig vannrett under arbeidet. Unngå å bikke/vippe jordhakken for mye.

10.3 Knivsettkombinasjoner



Monter alltid samme antall knivsett på venstre og høyre drivaksel.

Plantebeskyttelses-skiven kan monteres på alle de beskrevne knivsettkombinasjonene. Den beskytter plantene i nærheten (f.eks. når du hakker i et trangt bed).

Mulige kombinasjoner MH 445, MH 445 R:

- 2 knivsett: ett én rads-knivsett per drivaksel
- 4 knivsett: to én rads-knivsett per drivaksel

Mulige kombinasjoner MH 560:

- 2 knivsett: ett to rads-knivsett per drivaksel

Mulige kombinasjoner MH 585, MH 685:

- 2 knivsett: ett to rads-knivsett per drivaksel
- 4 knivsett: ett to rads-knivsett og ett én rads-knivsett per drivaksel

10.4 Ideell kroppsstilling under arbeidet



En ideell kroppsstilling under arbeidet motvirker at du fort blir trøtt.

Maskinen bør derfor stilles inn (høydejustering av styret, bremsestajustering) slik at du kan ha en rett kroppsstilling (ryggen) under hele arbeidstiden.

Ideell kroppsstilling:

- rett rygg
- utstrekke bein
- underarmene i lett vinkel nedover

11. Ta maskinen i bruk

11.1 Forberedelser



Fare for personskader!

Følg sikkerhetsanvisningene i kapitlet "For din sikkerhet" (⇒ 4.), og gjør deg kjent med hvordan betjeningselementene på jordhakken fungerer. (⇒ 8.)

- Kontroller motoroljenivået og etterfyll ved behov. (⇒ 7.15)

11.2 Justere høyden på styreoverdelen



Høyden på styreoverdelen kan justeres.

- Fell ut transportunderstellet. (⇒ 11.4)
- Hold med én hånd rundt håndtaket (2) på styreoverdelen (1).

- Bruk den andre hånden til å trekke strammearmen (3) bakover og holde den i denne stillingen.
- Flytt styreoverdelen (1) til ønsket posisjon.
- Trykk strammearmen (3) forover, og pass på at styreoverdelen går i inngrep.
- Fell om nødvendig inn transportunderstellet. (⇒ 11.4)

11.3 Sidejustering av styret



Styret kan reguleres i tre forskjellige posisjoner på siden.

- Fell ut transportunderstellet. (⇒ 11.4)
- Hold styreoverdelen med én hånd i et av håndtakene.
- Trekk strammearmen (1) oppover for hånd.
- Sett styret i ønsket stilling. Pass på at festeknasten (2) befinner seg over ett av de tre låsehullene (3).
- Trykk strammearmen (1) forover for hånd, og fest styret.
- Kontroller at styret sitter fast.
- Fell om nødvendig inn transportunderstellet. (⇒ 11.4)

11.4 Felle ut og inn transportunderstellet



Transportunderstellet gjør at du kan transportere jordhakken ved å skyve eller trekke den.



Fare for personskade!

Hvis transportunderstellet står i arbeidsposisjon (oppfelt) og frigjøringshendelen aktiveres, kan transportunderstellet selv havne i transportstilling.

Felle ut transportunderstellet – transportstilling:

- Løft transportunderstellet (1) forsiktig med én hånd, og hold det i denne stillingen.
- Trykk inn frigjøringshendelen (2).
- Fell transportunderstellet (1) nedover til det stopper, og slipp frigjøringshendelen (2). Transportunderstellet går i grep og er godt festet.

Felle inn transportunderstellet – arbeidsposisjon:

- Hold transportunderstellet (1) med én hånd, og avlast det ved å løfte lett i det.
- Trykk inn frigjøringshendelen (2), og vipp opp transportunderstellet.
- Slipp frigjøringshendelen (2), og fell transportunderstellet oppover til det stopper. Transportunderstellet går i grep og er godt festet i arbeidsposisjonen.

11.5 Justere bremsestaget



Motstanden og fremdriftshastigheten under jordbearbeidingen reguleres ved hjelp av bremsestaget. Bremsestaget kan justeres i tre trinn for bedre regulering.

Justere bremsesetaget:

- Fell ut transportunderstellet i transportstilling. (⇒ 11.4)
Sørg for at maskinen står stabilt og stødig.
- Trykk inn låsebolten (1), og hold den inne.
- Sett bremsesetaget (2) i ønsket stilling.
- Slipp låsebolten (1), og kontroller at bremsesetaget går i grep.

11.6 Starte forbrenningsmotoren



- Sett hendelen for gassregulering i startposisjon. (⇒ 8.1)
- Hold med én hånd godt rundt håndtaket på startsnoren (1).
- Dra startsnoren (1) langsomt ut til du kjenner kompresjonsmotstand. Dra deretter hardt og raskt ut til en armlengde i ett drag. Før startsnoren (1) langsomt tilbake, slik at den rulles opp igjen.
Gjenta prosedyren inntil forbrenningsmotoren starter.

11.7 Slå av forbrenningsmotoren

- Sett hendelen for gassregulering i stopp-posisjon for å slå av forbrenningsmotoren. (⇒ 8.1)
Forbrenningsmotoren stanser etter en kort utkoblingstid.

11.8 Koble inn/ut fremdriften (forover)

Koble inn fremdriften (forover):

- Slå av forbrenningsmotoren før du transporterer jordhakken til arbeidsområdet. (⇒ 13.)
- Start forbrenningsmotoren. (⇒ 11.6)
- Hold fast jordhakken med begge hendene på håndtakene.
- Betjen og hold den **svarte** fremdriftshendelen (forover). (⇒ 8.2)
Drivakselen med de monterte arbeidsverktøyene begynner å dreie, slik at jordhakken settes i bevegelse forover.

Koble ut fremdriften (forover):

- Slipp opp fremdriftshendelen (forover). (⇒ 8.2)
Fremdriftshendelen med de monterte arbeidsverktøyene stopper.

11.9 Koble inn/ut fremdriften (bakover) (MH 445 R, MH 560, MH 585, MH 685)

Jordhakkene MH 445 R, MH 560, MH 585, MH 685 er utstyrt med en revers.

Reversen brukes kun til å få løs jordhakken hvis den har kjørt seg fast under jordbearbeidingen. Reversen er ikke beregnet for bruk under hakking.



Fare for personskade!

Før du kobler inn fremdriften (bakover), må du passe på at du ikke står for nær styret.

Koble inn fremdriften (bakover):

- Slå av forbrenningsmotoren før du transporterer jordhakken til arbeidsområdet. (⇒ 13.1)

- Start forbrenningsmotoren. (⇒ 11.6)
- Hold fast jordhakken med begge hendene på håndtakene.
- Betjen og hold den **røde** fremdriftshendelen (bakover). (⇒ 8.2)
Drivakselen med de monterte arbeidsverktøyene begynner å dreie, slik at jordhakken settes i bevegelse bakover.

Koble ut fremdriften (bakover):

- Slipp opp fremdriftshendelen (bakover). (⇒ 8.2)
Fremdriftshendelen med de monterte arbeidsverktøyene stopper.

11.10 Hakke

Når du hakker, vil de roterende knivsettene løse opp jorden og klargjøre den for såing, dyrking eller plantepleie.



Fare for personskader!

Hakk kun forover.

Vær oppmerksom på hindringer som du ikke kan kjøre over (f.eks. belegningsstein på gangveier).

- Slå av forbrenningsmotoren før du transporterer jordhakken til arbeidsområdet. (⇒ 13.1)
- Fell inn transportunderstellet. (⇒ 11.4)
- Start forbrenningsmotoren. (⇒ 11.6)
- Hold fast jordhakken med begge hendene på håndtakene, og stå stødig.
Pass på arbeidsområdet. (⇒ 10.1)
- Betjen og hold fremdriftshendelen (forover). (⇒ 11.8)
Knivsettene begynner å rotere, og hakkingen kan starte.

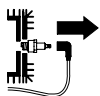
- Når du er ferdig med arbeidet, kobler du ut fremdriften (⇒ 11.8), slår av motoren (⇒ 11.7) og rengjør maskinen (⇒ 12.2).

12. Vedlikehold



Fare for personskader!

Før du utfører vedlikeholds- eller rengjøringsarbeid på maskinen, er det viktig at du leser nøye gjennom kapitlet "For din sikkerhet", (⇒ 4.) og spesielt underkapitlet "Vedlikehold og reparasjoner". (⇒ 4.7) Følg alle sikkerhetsanvisningene.



Trekk alltid ut tennpluggstøpselet før vedlikeholds- og rengjøringsarbeid.

12.1 Demontere knivsettene



i Hvis klappsplinten ved siden av girkassehuset løsnes, kan hele knivsettet med plantebeskyttelsesplaten trekkes av fra drivakselen. Les kapitlene "Montere knivsettet" (⇒ 7.7), (⇒ 7.8) og "Knivsettkombinasjoner" (⇒ 10.3) for mer informasjon om montering av knivsettene.

- La maskinen (forbrenningsmotoren, girkassen) kjøle seg ned helt.
- Sett jordhakken i rengjøringsstilling. (⇒ 12.2)

- Demontere plantebeskyttelsesskiven: Fell opp sikkerhetsbøylen til klappsplinten (1), og trekk av klappsplinten. Trekk av plantebeskyttelsesskiven (2).
- Demontere knivsettene: Fell opp sikkerhetsbøylen til klappsplinten (3), og trekk av klappsplinten. Ta av de fullstendige knivsettene (4).
- Trekk av beskyttelsesringene (5), og oppbevar dem på et trygt sted. Ikke mist dem!

12.2 Rengjøring

Vedlikeholdsintervall: Alltid etter bruk



- Rengjør hele maskinen grundig etter hver bruk. Godt vedlikehold beskytter maskinen og gjør at den varer lengre.
- Avkjøl maskinen helt og ta ut tennpluggstøpselet før du rengjør maskinen. Bruk langermede klær og solide hansker ved rengjøring av gir og knivsett.

Rengjøringsstilling:



Unngå skader på maskinen!

Ikke la jordhakken stå i den avbildede stillingen lengre enn det som er absolutt nødvendig for å utføre rengjørings- og vedlikeholdsarbeider. Oppbevar maskinen i stående stilling.

- Fell ut transportunderstellet. (⇒ 11.4)
- Sett styreoverdelen i den øverste stillingen. (⇒ 11.2)
- Plasser jordhakken på et jevnt og fast underlag.

- Vipp maskinen bakover til styret når bakken.

Rengjøringsinformasjon:

- Ikke bruk sterke rengjøringsmidler på skitt og rester som har satt seg fast, og som ikke lar seg fjerne med en børste, fuktig klut eller trepinne. STIHL anbefaler at du bruker et spesialrensemiddel (for eksempel STIHL spesialrens).
- Ikke rett vannstråler mot styret, deler på forbrenningsmotoren, tetninger og lagerpunkter. Dette kan føre til ekstra reparasjonskostnader.
- **Forbrenningsmotor:** Rengjør kjøleribbene, viftehjulet, området rundt luftfilteret, eksosanlegget osv. for å sikre at forbrenningsmotoren avkjøles tilstrekkelig.
- **Girkassehuset, understellet og hakkeverktøyet** kan rengjøres med vannstråler eller en høytrykksvasker.



Unngå skader på maskinen!

Når du bruker en høytrykksvasker, må du holde en avstand på **mindestens 1 m**, og unngå å rette vannstrålen direkte mot lagerpunkter, drivaksel og tetninger. Unngå særlig tetningen mellom girkassehuset og beskyttelsesplaten.

12.3 Forbrenningsmotor

Vedlikeholdsintervall: Før hver bruk

Kontroller motoroljenivået (se bruksanvisningen for forbrenningsmotoren).

Les betjenings- og vedlikeholdsinformasjonen i bruksanvisningen som fulgte med forbrenningsmotoren.

12.4 Serviceintervaller



Unngå skader på maskinen!

Vedlikeholdsarbeider på giret skal bare utføres av en forhandler.

Vedlikehold hos forhandleren: Årlig ved privat bruk

Vedlikehold av jordhakken bør utføres hos en forhandler. STIHL anbefaler STIHL forhandleren.

Vedlikehold utført av brukeren:

- **Før hver bruk**
Kontroller motoroljenivået (se bruksanvisningen for forbrenningsmotoren)
- **Alltid etter bruk**
Rengjør maskinen. (⇒ 12.2)

12.5 Oppbevaring og vinterlagring



Oppbevar jordhakken i normalstilling (med utfelt transportunderstell). Fell ned styret bakover, slik at maskinen tar mindre plass.



Veltefare!

Jordhakken kan velte forover hvis knivsettet står i en feil posisjon. Kontroller derfor alltid at jordhakken står støtt.

Vri eventuelt forsiktig på knivsettet for å gjøre jordhakken mindre fremtung. Alternativt kan du støtte jordhakken på bærehåndtaket under oppbevaring.

Oppbevar maskinen i et tørt, lukket rom med lite støv. Sørg for å oppbevare maskinen utilgjengelig for barn.

Sørg for å få utbedret eventuelle feil før du setter maskinen bort for lengre tid. Maskinen skal alltid være i driftssikker stand. Se til at alle muttere, bolter og skruer er strammet godt, skift ut farehenvísninger og advarsler på maskinen som har blitt uleselige, og kontroller hele maskinen for slitasje og skader. Skift ut slitte og skadede deler.

Husk i tillegg følgende hvis maskinen skal settes bort i lengre tid (vinterlagring):

- Rengjør alle delene grundig.
- Tøm drivstofftanken og forgasseren.
- Smør alle bevegelige deler godt med olje eller fett.
- Skru ut tennpluggen (se bruksanvisningen som fulgte med forbrenningsmotoren), og fyll på ca. 3 cm³ motorolje gjennom tennpluggåpningen i forbrenningsmotoren. Drei forbrenningsmotoren noen ganger uten tennplugg (dra i startsnoren).



Brannfare!

Hold tennpluggstøpslet unna hullet for tennpluggen på grunn av brannfaren.

- Skru inn tennpluggen igjen (se bruksanvisningen som fulgte med forbrenningsmotoren).
- Skift olje (se bruksanvisningen som fulgte med forbrenningsmotoren).
- Dekk til forbrenningsmotoren, og oppbevar maskinen i normalstilling.

13. Transport

13.1 Transportere jordhakken



Fare for personskade!

Les sikkerhetsanvisningene i kapitlet "For din sikkerhet" (⇒ 4.), og særlig avsnittet "Transport" (⇒ 4.4).

Før maskinen transporteres, må du slå av forbrenningsmotoren, ta ut tennpluggstøpslet og ta på deg egnet verneutstyr (vernesko, hansker, kjeledress som dekker armer og bein).

Vær oppmerksom på vekten! (⇒ 18.)

Trekke eller skyve jordhakken:

- Sett bremsestaget i høyeste stilling. (⇒ 11.5)
- Fell ut transportunderstellet. (⇒ 11.4)
- Hold i de to håndtakene (1) på jordhakken, og vipp bakover til maskinen står på transporthjulene.
- Trekk eller skyv jordhakken langsomt (skrittempo). På glatt og jevnt underlag er det enklest å skyve maskinen, mens på humpete underlag er det best å dra maskinen.



Fare for personskade!

Maskinen er tung, så vær ekstra forsiktig ved trapper, avsatser, skrå ramper og andre forhøyninger. Brukeren skal alltid stå høyere enn maskinen, slik at han/hun ikke kan få den over seg ved et uhell – skyv ned / dra opp maskinen over avsatser og i bakker. Ikke skyv/dra maskinen over mer enn to eller tre trinn. Hvis jordhakken skal transporteres over flere trinn, må du få hjelp av noen til å bære den.

2 Løfte eller bære jordhakken:

- Kontroller at styreoverdelen sitter godt.
- Få hjelp av en eller flere personer når du skal løfte/bære jordhakken, og sørg for god avstand til knivsettene.

Løfepunkter:

Håndtak (1) og bærehåndtak (2)

3 Transportere jordhakken på en lasteflate:

- Jordhakken skal alltid transporteres **stående** – på transportunderstell og knivsett. Ikke legg maskinen på siden.
 - Fell ut transportunderstellet (⇒ 11.4) og monter knivsettene (⇒ 7.7), (⇒ 7.8) slik at maskinen står stødig.
 - Sikre jordhakken med stropper/seler på lasteflaten, slik at den ikke glir.
- Festepunkter:**
akselen på transportunderstellet (3) og akselen på knivsettet (4).

14. Miljøvern



Emballasjen, plenraktoren og tilbehøret er produsert av gjenvinnbare materialer og må kasseres i samsvar med dette.

Adskilt, miljøriktig kassering av materialrester bidrar til mer gjenbruk av verdistoffer. Plenraktoren bør derfor leveres til gjenvinning etter at maskinens normale levetid er nådd.

14.1 Kassering

Spillolje (motorolje, girolje) og drivstoff skal alltid kasseres på en forskriftsmessig måte.

Gjør forbrenningsmotoren ubrukelig før kassering. Husk spesielt å fjerne tenningskabelen, tømme tanken og tappe ut motoroljen.

Knivsettene er fort gjort å skade seg på!

La aldri jordhakken stå uten tilsyn! Dette gjelder selv om den ikke lenger er i bruk og skal kasseres. Sørg for å oppbevare maskinen og knivsettet utilgjengelig for barn.

15. Minimere slitasje og unngå skader

Viktige henvisninger vedrørende vedlikehold for produktgruppen

Jordhaker med bensinmotor (STIHL MH)

STIHL frasier seg ethvert ansvar for materielle skader og personskader som skyldes at bruksanvisningen ikke er fulgt (spesielt med hensyn til sikkerhet,

betjening og vedlikehold) eller at det er brukt ikke-godkjente påbyggings- eller reservedeler.

Følg disse henvisningene for å unngå skader eller unormal slitasje på din STIHL maskin:

1. Slitedeler

Enkelte av komponentene på STIHL maskinen utsettes for normal slitasje også når produktet brukes i henhold til bestemmelsene. Disse komponentene må skiftes ut i tide, avhengig av hvordan og hvor mye produktet brukes.

Det innbefatter blant annet:

- Kilerem
- Knivsett
- Bremseslag

2. Følg informasjonen i denne bruksanvisningen.

Bruk, vedlikehold og lagring av STIHL maskinen må skje i henhold til informasjonen i denne bruksanvisningen. Brukeren må selv ta ansvaret hvis det oppstår skader fordi sikkerhets-, bruks- og vedlikeholdsforskriftene ikke er fulgt.

Dette gjelder spesielt for:

- Ikke forskriftsmessig bruk av produktet.
- Bruk av drivstoff som STIHL ikke har godkjent (smøremidler, bensin og motorolje, se bruksanvisningen for forbrenningsmotoren).
- Endringer på produktet som ikke er godkjent av STIHL.
- Bruk av tilleggsdeler, tilleggsutstyr eller klippeverktøy som ikke er godkjent av STIHL.
- Bruk ved sportsarrangementer eller andre konkurranser.

- Skader som følge av at produktet er brukt med defekte komponenter.

3. Vedlikeholdsarbeider

Alle arbeider som er nevnt under “Vedlikehold”, må utføres regelmessig.

Hvis brukeren ikke kan utføre disse vedlikeholdsarbeidene selv, skal han eller hun ta kontakt med en forhandler.

STIHL anbefaler at alt vedlikeholdsarbeid og alle reparasjoner utføres hos en STIHL forhandler.

I tillegg til jevnlig tilbud om opplæring, får STIHL forhandlerne regelmessig tilsendt teknisk informasjon.

Hvis disse arbeidene forsømmes, kan det oppstå skader som brukeren er ansvarlig for.

Slike skader er blant annet:

- Korrosjonsskader og andre skader som oppstår som følge av uegnet lagringssted.
- Skader på maskinen grunnet bruk av reservedeler med dårlig kvalitet.
- Skader som skyldes at vedlikehold ikke er utført i rett tid eller utilstrekkelig vedlikehold, hhv. skader som skyldes vedlikeholds- eller reparasjonsarbeider som ikke er utført hos forhandlere.

16. Vanlige reservedeler

Klappsplint (knivsett):
9396 021 3785

MH 445, MH 445 R

Komplett knivsett, indre, venstre:
6241 710 0200

Komplett knivsett, indre, høyre:
6241 710 0205

Komplett knivsett, ytre, venstre:
6241 710 0210

Komplett knivsett, ytre, høyre:
6241 710 0215

MH 560, MH 585, MH 685

Komplett knivsett, indre, venstre:
6241 710 0220

Komplett knivsett, indre, høyre:
6241 710 0225

MH 585, MH 685

Komplett knivsett, ytre, venstre:
6242 710 0210

Komplett knivsett, ytre, høyre:
6242 710 0215

17. EU-samsvarserklæring

17.1 Jordhakke STIHL MH 445.0, MH 445.0 R, MH 560.0, MH 585.0, MH 685.0

STIHL Tirol GmbH
Hans Peter Stihl-Straße 5
6336 Langkampfen
Østerrike

bekrefter som eneansvarlig at maskinen

- Modell: Jordhakke
- Merke: STIHL
- Type: MH 445.0, MH 445.0 R, MH 560.0, MH 585.0, MH 685.0
- Serieidentifikasjon: 6241

oppfyller de relevante bestemmelsene i direktiv 2000/14/EC, 2006/42/EC, 2014/30/EU og 2011/65/EU og er utviklet og produsert i samsvar med de versjonene

av følgende standarder som var gyldige på produksjonsdatoen: EN 709 og EN 14982 (hvis aktuelt).

Navn og adresse til medvirkende oppnevnt instans:

TÜV Rheinland LGA Products GmbH
Tillystraße 2
D-90431 Nürnberg

Det garanterte lydeffektnivået er målt i henhold til direktiv 2000/14/EC, vedlegg VIII.

MH 445.0, MH 445.0 R

- Målt lydeffektnivå: 92 dB(A)
- Garantert lydeffektnivå: 93 dB(A)

MH 560.0, MH 585.0

- Målt lydeffektnivå: 91,3 dB(A)
- Garantert lydeffektnivå: 93 dB(A)

MH 685.0

- Målt lydeffektnivå: 92,4 dB(A)
- Garantert lydeffektnivå: 93 dB(A)

Den tekniske dokumentasjonen oppbevares hos avdelingen for produktgodkjenning hos STIHL Tirol GmbH.

Produksjonsår og maskinnummer er angitt på jordhakken.

Langkampfen, 02.11.2020

STIHL Tirol GmbH

på vegne av



Matthias Fleischer, leder for forskning og utvikling

på vegne av



Sven Zimmermann, kvalitetsansvarlig

18. Tekniske data

MH 445.0 / MH 445.0 R / MH 560.0 / MH 585.0 / MH 685.0

Serieidentifikasjon	6241
Forbrenningsmotor, modell	4-takts forbrenningsmotor
Start	Snorstart
I henhold til direktiv 2000/14/EC:	
Garantert lydeffekt-nivå $L_{WA,d}$	93 dB(A)

MH 445.0 / MH 445.0 R

Motortype	B&S Series 550 EX OHV RS
Slagvolum	140 ccm
Nominell effekt ved nominelt turtall	2,2 - 3100 kW - o/min
Drivstofftank	0,8 l
Verktøy	4 hakkeelementer, 2 plantebeskyttelseskiver
Diameter for knivsett	30 cm

MH 445.0 / MH 445.0 R

Arbeidsturtall for knivsett ved testurtall	124 o/min
Testurtall	3100 o/min

I henhold til direktiv 2006/42/EC:

Lydtrykknivå på arbeidsplassen L_{pA}	80 dB(A)
Usikkerhet K_{pA}	2 dB(A)

Angitt vibrasjonskarakteristikk iht. EN 12096:

Målt verdi a_{hw}	5,50 m/s ²
Usikkerhet K_{hw}	2,20 m/s ²

Måling i henhold til EN 20643

Drift MH 445.0	1 forovergir
Drift MH 445.0 R	1 forovergir 1 revers
Vekt	36 kg / 37 kg

MH 560.0/ MH 585.0

Motortype	Kohler HD675
Slagvolum	149 ccm
Nominell effekt ved nominelt turtall	2,3 - 3000 kW - o/min
Drivstofftank	1,4 l
Verktøy MH 560.0	2 hakkeelementer, 2 plantebeskyttelseskiver

Verktøy MH 585.0

Verktøy MH 585.0	4 hakkeelementer, 2 plantebeskyttelseskiver
Diameter for knivsett	32 cm
Arbeidsturtall for knivsett ved testurtall	120 o/min
Testurtall	3000 o/min

I henhold til direktiv 2006/42/EC:

MH 560.0/ MH 585.0

Lydtrykknivå på arbeidsplassen L_{pA}	79 dB(A)
Usikkerhet K_{pA}	2 dB(A)
Angitt vibrasjonskarakteristikk iht. EN 12096:	

Målt verdi a_{hw}	5,00 m/s ²
Usikkerhet K_{hw}	2,50 m/s ²

Måling i henhold til EN 20643

Drift	1 forovergir 1 revers
Vekt	41 kg / 44 kg

MH 685.0

Motortype	Kohler HD775
Slagvolum	173 ccm
Nominell effekt ved nominelt turtall	2,9 - 3200 kW - o/min
Drivstofftank	1,4 l

Verktøy
4 hakkeelementer, 2
plantebeskyttelseskiver

Diameter for knivsett	32 cm
Arbeidsturtall for knivsett ved testurtall	128 o/min

Testurtall 3200 o/min

I henhold til direktiv 2006/42/EC:

Lydtrykknivå på arbeidsplassen L_{pA}	80 dB(A)
Usikkerhet K_{pA}	2 dB(A)

Angitt vibrasjonskarakteristikk iht. EN 12096:

Målt verdi a_{hw}	6,00 m/s ²
Usikkerhet K_{hw}	2,40 m/s ²

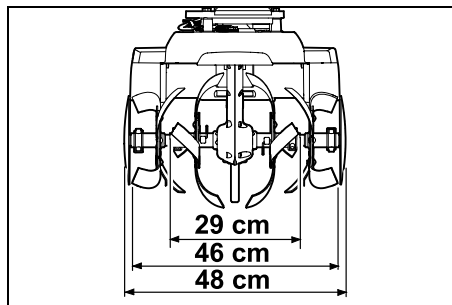
Måling i henhold til EN 20643

Drift	1 forovergir 1 revers
-------	--------------------------

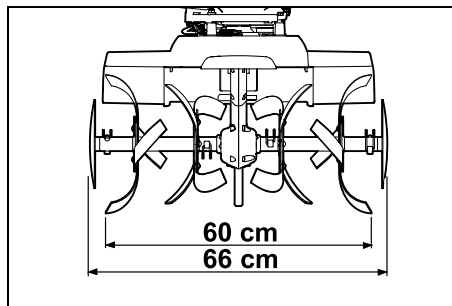
MH 685.0

Vekt 46 kg

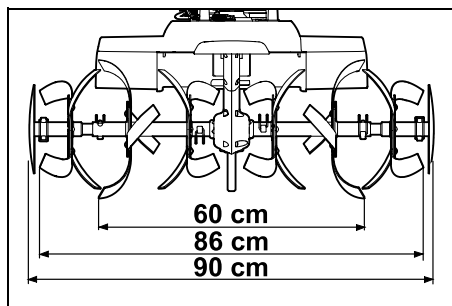
MH 445.0, MH 445.0 R:



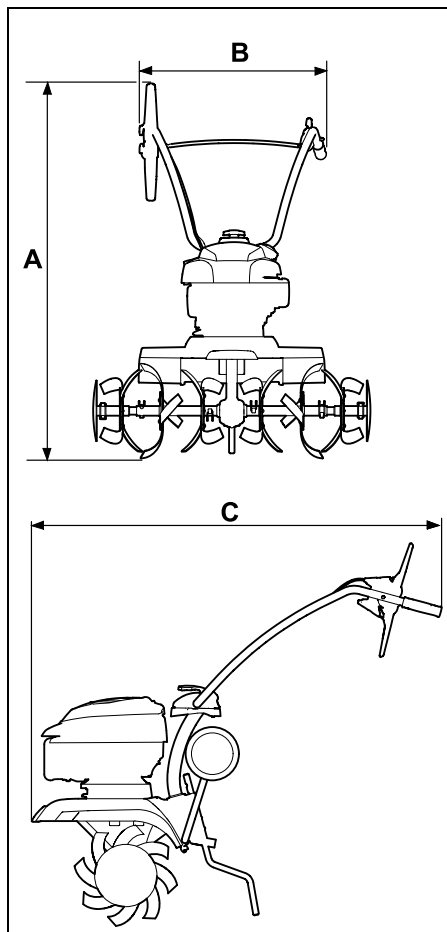
MH 560.0:



MH 585.0, MH 685.0:



MH 445.0, MH 445.0 R, MH 560.0, MH 585.0, MH 685.0:



MH 445.0, MH 445.0 R:

A = 118 cm

B = 57 cm

C = 122 cm

MH 560.0, MH 585.0, MH 685.0:

A = 119 cm

B = 57 cm

C = 122 cm

18.1 REACH

REACH er navnet på en EU-bestemmelse for registrering, vurdering og godkjenning av kjemikalier.

Informasjon om innfrielse av REACH-bestemmelsen (EU) nr. 1907/2006 finnes på www.stihl.com/reach.

19. Feilsøking

✖ Kontakt eventuelt en forhandler. STIHL anbefaler STIHL forhandleren.

📖 Se bruksanvisningen for forbrenningsmotoren.

Feil/problem:

Forbrenningsmotoren starter ikke

Mulig årsak:

- Hendelen for gassinnstilling står i stopp-posisjon
- Drivstofftanken er tom; drivstoffrøret er tilstoppet
- Dårlig, forurenset eller gammelt drivstoff i tanken
- Tennpluggstøpselet er koblet fra tennpluggen; pluggledningen er dårlig festet på kontakten
- Tennpluggen er tilsotet eller skadet; feil elektrodeavstand
- Luftfilteret er skittent
- Forbrenningsmotoren har fått for mye drivstoff på grunn av gjentatte startforsøk

Tiltak:

- Sett hendelen for gassregulering i startposisjon (⇒ 8.1)
- Fyll på drivstoff (⇒ 7.15)
- Rengjør drivstoffrørene (✖)

- Bruk alltid blyfri bensin av god kvalitet (⇒ 7.15)
Rengjør forgasseren (✘)
- Sett inn tennpluggstøpselet (📖)
Kontroller forbindelsen mellom pluggledningen og støpselet (✘)
- Rengjør eller skift ut tennpluggen (📖), (✘)
Juster elektrodeavstanden (✘)
- Rengjør eller skift ut luftfilteret (✘)
- Skru ut og tørk tennpluggen. Sett gasshendelen i stopp-posisjon, og trekk flere ganger i startsnoren mens tennpluggen er skrudd ut (📖)

Feil/problem:

Vanskelig å starte, eller effekten til forbrenningsmotoren avtar

Mulig årsak:

- Vann i drivstofftanken og forgasseren, forgasseren er tilstoppet
- Drivstofftanken er skitten
- Luftfilteret er skittent
- Tennpluggen er defekt

Tiltak:

- Tøm drivstofftanken og rengjør drivstoffrøret og forgasseren (✘)
- Rengjør drivstofftanken (✘)
- Rengjør eller skift ut luftfilteret (📖), (✘)
- Rengjør eller skift ut tennpluggen (📖), (✘)

Feil/problem:

Forbrenningsmotoren blir svært varm

Mulig årsak:

- Kjøleribbene er skitne
- For lavt oljenivå i forbrenningsmotoren
- Overflaten på forbrenningsmotoren er dekt av jord

Tiltak:

- Rengjør kjøleribbene (⇒ 12.2)
- Etterfyll motorolje (⇒ 7.15)

- Fjern jord på forbrenningsmotoren

Feil/problem:

Forbrenningsmotoren går ujevnt

Mulig årsak:

- Luftfilteret er skittent

Tiltak:

- Rengjør eller skift ut luftfilteret (📖), (✘)

Feil/problem:

Sterk røykutvikling

Mulig årsak:

- For høyt oljenivå
- Luftfilteret er skittent

Tiltak:

- Tilpass oljepåfyllingsmengden (📖)
- Rengjør eller skift ut luftfilteret (📖), (✘)

Feil/problem:

Sterke vibrasjoner under drift

Mulig årsak:

- Løst motorfeste

Tiltak:

- Stram skruene for motorfestet (✘)

Feil/problem:

Redusert arbeidskapasitet

Mulig årsak:

- Knivsettene er montert feil
- Knivsettene er slitt
- Bremseslaget er feilinnstilt

Tiltak:

- Monter knivsettene riktig (⇒ 7.7), (⇒ 7.8)
- Skift ut knivsettene (✘)
- Juster bremseslaget (⇒ 11.5)

Feil/problem:

Ingen ytelse

Mulig årsak:

- Klappsplinten på drivakselen mangler

Tiltak:

- Kontroller at knivsettene er godt festet på drivakselen (⇒ 7.7), (⇒ 7.8)

Feil/problem:

Høye lyder fra giret

Mulig årsak:

- Feil oljenivå i giret

Tiltak:

- Kontroller oljenivået i giret (✘)

Feil/problem:

Drivakselen roterer ikke når fremdriftshendelen betjenes

Mulig årsak:

- Vaieren er defekt
- Drivremmen er slitt

Tiltak:

- Kontroller og eventuelt skift ut vaieren (✘)
- Skift ut remmen (✘)

20. Serviceplan

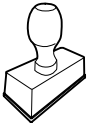
20.1 Bekreftelse av overleveringen

Modell: _____

Serienummer:

--	--	--	--	--	--	--	--	--

Dato: _ _ _ _ _ _ _ _



Neste service


Dato: _ _ _ _ _ _ _ _

20.2 Servicebekreftelse



Gi denne bruksanvisningen til STIHL fagforhandleren når du får utført vedlikeholdsarbeider. Forhandleren bekrefter det utførte arbeidet ved å fylle ut de angitte feltene.

 Service utført

 Dato for neste service

Hej!

Tack för att du valt en produkt från STIHL. Vi utvecklar och tillverkar produkter av mycket hög kvalitet som uppfyller våra kunders behov. Därför är våra produkter mycket säkra även när de belastas mycket.

STIHL ger även en förstklassig service. Hos våra återförsäljare får du kompetent rådgivning och instruktioner samt tekniska råd.

Vi uppskattar ditt förtroende för oss och önskar dig lycka till med din STIHL produkt.

Dr Nikolas Stihl

VIKTIGT! LÄS BRUKSANVISNINGEN INNAN DU ANVÄNDER PRODUKTEN OCH SPARA DEN.

1. Innehållsförteckning

Information om denna bruksanvisning	72
Allmänt	72
Beskrivning av bruksanvisningen	72
Maskinbeskrivning	72
För din säkerhet	73
Allmänt	73
Tankning – hantering av bensin	74
Klädsel och utrustning	74
Transportera maskinen	74
Före arbetet	75
Under arbetet	75
Underhåll och reparationer	77
Förvaring under längre driftsuppehåll	78
Sluthantering	78
Symbolbeskrivning	79
Leveransens omfattning	79
Göra maskinen klar för användning	80
Monteringsanvisningar	80
Montera stöd	80
Montera bromssporre	80
Montera styrhandtag	80
Fälla upp styrhandtag	81
Montera skyddslister	81
Montera skär MH 445, MH 445 R	81
Montera skär MH 445, MH 585, MH 685	81
Montera växtskyddsskiva	82
Montera drivspakar	82
Dra drivwire	82
Fästa drivwire	83
Dra och montera gaswire	83
Fixera wirar på styrhandtag	83
Bränsle och motorolja	83
Reglage	83
Gasreglage	83
Drivspak	84
Säkerhetsanordningar	84
Låsning drivspakar	84
Skyddsanordningar	84
Arbetsanvisningar	84
Användarens arbetsområde	84
Maskinens arbetsposition	85
Skärkombinationer	85
Lämplig arbetsställning	85
Ta maskinen i bruk	85
Förberedande åtgärder	85
Höjdställning överdel styrhandtag	85
Sidoinställning styrhandtag	85
Fälla ut och in transportstöd	85
Ställa in bromssporre	86
Starta förbränningsmotorn	86
Stänga av förbränningsmotorn	86
Koppla in och från drivning (framåt)	86
Koppla in och från drivning (bakåt) (MH 445 R, MH 560, MH 585, MH 685)	86
Fräsning	87
Underhåll	87
Demontera skär	87
Göra rent maskinen	87
Förbränningsmotor	88
Serviceintervall	88
Förvaring och avställning (vinteruppehåll)	88
Transport	89
Transportera jordfräsen	89
Miljöskydd	89
Sluthantering	89

Minimera slitage och förhindra skador	89
Vanliga reservdelar	90
EU-konformitetsdeklaration	90
Jordfräs STIHL MH 445.0, MH 445.0 R, MH 560.0, MH 585.0, MH 685.0	90
Tekniska data	91
REACH	93
Felsökning	93
Serviceschema	94
Överlämningsbekräftelse	94
Servicebekräftelse	94

2. Information om denna bruksanvisning

2.1 Allmänt

Denna bruksanvisning är en **original bruksanvisning** från tillverkaren enligt EG-riktlinjen 2006/42/EC.

STIHL arbetar ständigt med vidareutveckling av sitt produktutbud. Vi förbehåller oss därför rätten till ändringar av design, teknik och utrustning. Inga anspråk grundade på uppgifter och bilder i denna bruksanvisning kan därför ställas.

I denna bruksanvisning beskrivs ev. modeller som inte finns tillgängliga i alla länder.

Denna bruksanvisning är upphovsrättsskyddad. Alla rättigheter förbehållna, särskilt då rätten till kopiering, översättning och bearbetning med elektroniska system.

2.2 Beskrivning av bruksanvisningen

Bilder och text beskriver vissa arbetsmoment.

Samtliga bildsymboler, som finns på maskinen, förklaras i denna bruksanvisning.

Blickriktning:

Blickriktning vid användning ”vänster” och ”höger” i bruksanvisningen: Användaren står bakom maskinen och ser framåt i färdriktningen.

Kapitelhänvisning:

En pil hänvisar till motsvarande kapitel och underkapitel med ytterligare förklaringar. Följande exempel visar en hänvisning till ett kapitel: (⇒ 4.)

Märkning av textavsnitt:

De beskrivna anvisningarna kan vara markerade som i följande exempel.

Arbetsmoment som kräver att användaren ingriper:

- Lossa skruven (1) med en skruvmejsel, aktivera spaken (2) ...

Allmänna uppräkringar:

- Användning av produkten för sport- eller tävlingsändamål

Text med extra betydelse:

Textavsnitt med extra betydelse markeras med en av följande symboler, för att ytterligare framhäva dem i bruksanvisningen.



Fara!

Risk för olycksfall och allvarliga personskador. Ett visst förhållningssätt är nödvändigt eller bör undvikas.



Varning!

Risk för personskador. Ett visst förhållningssätt förhindrar möjliga eller sannolika personskador.



Var försiktig!

Lätta personskador resp. saskador kan förhindras med ett visst förhållningssätt.



Anvisning

Information om hur du bättre använder maskinen och undviker möjlig felhantering.

Text med bildreferens:

Bilder som förklarar hur maskinen används finns alldeles i början av bruksanvisningen.

Kamerasymbolen kopplar samman bilderna på bildsidorna med motsvarande textavsnitt i bruksanvisningen.



3. Maskinbeskrivning



- 1 Drivspak (framåt)
- 2 Styrhandtagets överdel
- 3 Spännarm
- 4 Startlina
- 5 Förbränningsmotor
- 6 Tändstiftskontakt
- 7 Skyddslist
- 8 Växtskyddsskiva
- 9 Skär
- 10 Bärhandtag

- 11 Skyddslist
- 12 Transportstöd
- 13 Bromssporre
- 14 Låsspak (transportstöd)
- 15 Låsbulst (bromssporre)
- 16 Handtag
- 17 Gasreglage
- 18 MH 445 R, MH 560, MH 585, MH 685: Drivspak (bakåt)
- 19 Typskylt med maskinnummer

4. För din säkerhet

4.1 Allmänt



Föreskrifterna för undvikande av olycksfall måste ovillkorligen följas under arbetet med maskinen.



Hela bruksanvisningen måste läsas noggrant före den första idrifttagningen. Förvara bruksanvisningen på ett säkert ställe för senare referens.

Beakta skötsel- och underhållsanvisningarna i den separata bruksanvisningen för förbränningsmotorn.

Dessa säkerhetsåtgärder är viktiga för din säkerhet. Anvisningarna kan dock inte täcka alla situationer. Använd maskinen med sunt förnuft och ansvarsfullt. Tänk på att användaren är ansvarig för skador som drabbar andra personer och deras egendom.

Bekanta dig med reglagen och hur maskinen används. Användaren måste dessutom veta hur man snabbt stannar maskinens arbetsverktyg och förbränningsmotor.

Maskinen får endast användas av personer som har läst bruksanvisningen och som känner till hur maskinen ska hanteras. Användaren måste själv se till att få praktiska instruktioner av en fackkunnig person före den första idrifttagningen. Användaren måste av försäljaren eller en annan fackkunnig person få instruktioner om hur maskinen används på ett säkert sätt.

Instruktionerna som användaren får bör innehålla information om att man måste vara ytterst försiktig och koncentrerad när man använder maskinen.

Det finns alltid kvar en restrisk även om du hanterar maskinen enligt föreskrift.



Risk för kvävning!

Risk för kvävning om barn leker med förpackningsmaterialet. Håll förpackningsmaterialet borta från barn.

Lämna resp. låna endast ut maskinen inklusive alla tillsatsredskap till personer som redan känner till denna modell och hur den ska hanteras. Bruksanvisningen är en del av maskinen och måste alltid skickas med.

Använd endast maskinen om du är utvilad och i god fysisk och psykisk kondition. Om du har problem med hälsan bör du fråga din läkare om du får använda maskinen. Använd inte maskinen om du har druckit alkohol, tagit droger eller medicin som påverkar reaktionsförmågan.

Se till att användaren inte har nedsatt fysisk, sensorisk eller mental förmåga att använda maskinen. Om användaren har nedsatt fysisk, sensorisk eller mental förmåga får användaren endast använda den under uppsikt eller efter instruktioner av en ansvarig person.

Se till att användaren är myndig eller utbildas i ett yrke under uppsikt enligt nationella regler.

Varning – risk för olycksfall!

Jordfräsen är endast avsedd för markarbeten för sådd, uppodling eller skötsel av växter. Den får endast användas i enlighet med beskrivningen i denna bruksanvisning – inte för andra ändamål! Annan användning är inte tillåten och kan vara farlig, och skulle kunna medföra personskador eller skador på maskinen.

På grund av risken för att användaren ska skadas får jordfräsen inte användas till följande arbeten (ofullständig uppräknings):

- För arbeten på takaltaner och i balkonglädor
- För hackning och finfördelning av träd- och häckmaterial

Föremål, djur eller personer, särskilt barn, får inte transporteras med maskinen.

Av säkerhetsskäl är varje förändring på maskinen, utom montering av tillbehör som har godkänts av STIHL, otillåten och medför att garantianspråket går förlorat. Information om godkänt tillbehör får du hos din STIHL servande fackhandel.

Manipulering av maskinen, som förändrar effekten eller varvtalet på förbränningsmotorn resp. elmotorn, är absolut förbjuden.

Var extra försiktig vid användning i offentliga anläggningar, parker, idrottsanläggningar, längs vägar och inom jord- och skogsbruk.



Varning! Hälsorisk pga vibration! För hög belastning pga vibration kan medföra cirkulationsrubningar eller

nervskador, särskilt hos människor med hjärtbesvär. Ta kontakt med en läkare om det uppträder symtom som kan ha orsakats av vibrationsbelastning. Sådana symtom, som vanligtvis uppträder i fingrarna, händerna eller handlederna, är t.ex. (ofullständig uppräknad):

- känselbortfall.
- smärtor.
- muskelsvaghet.
- missfärgning av huden.
- obehagliga krypningar.

Håll fast styrhandtaget hårt men avslappnat med båda händerna på avsedda ställen under drift.

Planera arbetstiden så att du undviker hög belastning under en längre tidsperiod.

Planera arbetspauser vid användning av jordfräsen och undvik alltför långa arbetspass med maskinen, eftersom långvarig vibration kan skada hälsan.

4.2 Tankning – hantering av bensin



Livsfara!

Bensin är giftig och mycket eldfarlig.

Förvara bensinen endast i därför avsedda och testade behållare (dunkar). Skruva alltid fast och dra åt bränsledunkens lock ordentligt. Defekta lock måste bytas ut av säkerhetsskäl.

Använd aldrig dricksflaskor eller liknande för att sluthantera eller förvara drivmedel, t.ex. bränsle. Någon, särskilt barn, kan lockas att dricka av innehållet.



Håll bensinen borta från gnistor, öppen eld, tändlågor, värmekällor och andra antändningskällor. Rökning

förbjuden!

Tanka endast utomhus och rök inte vid tankning.

Stäng av förbränningsmotorn och låt den svalna före tankning.

Bensin ska fyllas på innan förbränningsmotorn startas. När förbränningsmotorn går eller när maskinen är varm får tanklocket inte öppnas och ingen bensin fyllas på.

Fyll inte på för mycket i bränsletanken!

Fyll inte på bränsletanken över underkanten på påfyllningsröret, så att bränslet har plats för utvidgning. Beakta dessutom uppgifterna i förbränningsmotorns bruksanvisning.



Om bensin har flödat över får förbränningsmotorn inte startas innan det bensindränkta området rengjorts. Försök inte starta motorn innan bensinångorna har dunstat bort (torka bort).

Torka alltid upp utspillt bränsle omedelbart.

Om bensin har hamnat på kläderna måste de bytas.

Förvara aldrig maskinen inomhus med bensin i tanken. Bensinångorna kan komma i kontakt med öppen eld eller gnistor och antändas.

Om tanken ska tömmas bör detta ske utomhus.

4.3 Klädsel och utrustning



Använd alltid stadiga skor med räfflad sula under arbetet. Arbeta aldrig barfota eller t.ex. med sandaler.



Bär alltid kraftiga skyddshandskar och sätt upp långt hår (med schalett, mössa osv.) vid underhåll och rengöringsarbeten samt vid transport av maskinen.



Använd lämplig och åtsittande klädsel under arbetet med maskinen, dvs. overall men inte arbetsrock. Bär inte halsduk, slips, smycken, band eller andra löst hängande accessoarer under arbetet med maskinen.

Hår, kläder eller accessoarer kan komma i kontakt med eller fastna i roterande delar. Detta kan orsaka allvarliga personskador.

4.4 Transportera maskinen

Använd alltid skyddshandskar, för att förhindra personskador pga skarpa kanter eller mycket varma maskindelar.

Transportera inte maskinen med förbränningsmotorn igång. Stäng av förbränningsmotorn, låt arbetsverktygen stanna och dra bort tändstiftskontakten före transport.

Transportera maskinen endast när förbränningsmotorn är kall och utan bränsle.

Beakta uppgifterna i kapitlet "Transport". Där beskrivs hur maskinen ska lyftas resp. bindas fast. (⇒ 13.)

Bär alltid maskinen med två man – beakta lyftpunkterna.

Använd lämpliga lasthjälpmedel (lastramper, lyftanordningar).

Av säkerhetsskäl får en lutningsvinkel på 15° inte överskridas vid transport och lastning, särskilt vid användning av lastramper.

Säkra maskinen och medtransporterade maskindelar på lastytan med lämpliga fästnanordningar av rätt dimension (band, rep osv.). Transportera aldrig maskinen osäkrad.

STIHL rekommenderar att jordfräsen transporteras på ett lämpligt släp resp. på en lämplig lastyta och inte i fordonet (t.ex. i bagagerummet).

Beakta regionala lagliga föreskrifter vid transport av maskinen, särskilt när det gäller lastens säkerhet och transport av föremål på lastflak.

4.5 Före arbetet

Se till att endast personer som känner till bruksanvisningen använder maskinen.

Innan maskinen tas i drift ska bränslesystemets täthet kontrolleras, i synnerhet de synliga delarna, exempelvis tanken, tanklocket och slanganslutningarna. Vid otäthet eller skador får förbränningsmotorn inte startas – **brandrisk!**

Låt servande fackhandel reparera maskinen innan den tas i drift igen.

Beakta kommunala föreskrifter för driftstider för trädgårdsredskap med förbränningsmotor.

Kontrollera området där maskinen ska användas noggrant och ta bort alla stora stenar, stockar, ståltrådar, ben och andra främmande föremål som kan kastas upp av maskinen.

Dolda objekt i marken (vattenspridare, stolpar, vattenventiler, fundament, elektriska ledningar osv.) måste alltid markeras tydligt före arbetet med maskinen och kringgåas. Kör aldrig över sådana föremål.

Alla defekta samt utslitna och skadade delar ska bytas innan maskinen används. Riskhänvisningar och varningsanvisningar på maskinen som blivit oläsliga eller skadade måste bytas ut. Din STIHL servande fackhandel har nya etiketter och alla nödvändiga reservdelar i lager.

Kontrollera att tändstiftkontakten sitter fast ordentligt på tändstiftet innan maskinen används.

Maskinen får endast användas i säkert bruksskick. Kontrollera före varje idrifttagning:

- Att hela maskinen har monterats enligt föreskrift.
- Att säkerhetsanordningarna (t.ex. drivspakar, skyddslistor, skyddskåpor, styrhandtag, skyddsgaller) är i felfritt skick och fungerar ordentligt. Använd aldrig maskinen om säkerhetsanordningar saknas, är skadade eller utslitna.
- Att arbetsverktyg (skär), fästs kruvar och sprintar finns resp. kontrollera beträffande slitage eller skador (hack, sprickor). Utslitna eller skadade delar ska bytas ut.
- Att arbetsverktygen (skär) har monterats ordentligt och enligt föreskrift.

- Att drivspakarna fungerar och går lätt.
- Att tanklocket är ordentligt fastskruvat.
- Att tanken och bränsleledande delar samt tanklocket är i felfritt skick.
- Att oljeskruven är ordentligt fastskruvad.
- Att det använda tillbehöret har monterats komplett och enligt föreskrift på maskinen. Alla komponenter, som ingår i leveransen av tillbehöret, måste monteras resp. användas.

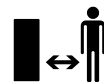
Genomför alla nödvändiga arbeten eller kontakta en servande fackhandel. STIHL rekommenderar en STIHL servande fackhandel.

De vänstra och högra skyddslisterna är anpassade till motsvarande arbetsbredd och måste alltid monteras ordentligt. Om arbetsbredden ökas på modellerna MH 445 och MH 445 R med extra skär (STIHL tillbehör) måste även de större skyddslisterna (ingår i leveransen av tillbehöret) monteras.

Skjut eller dra maskinen till arbetsstället med hjälp av transporthjulen.

Ta bort alla föremål som ligger på maskinen (verktyg, trasor osv.) före idrifttagning.

4.6 Under arbetet



Håll andra personer borta från det farliga området! Arbeta aldrig när det finns djur eller personer, särskilt barn, i det farliga området.

Varning – under arbetet kastas föremål som jord, stenar osv. upp resp. ut åt sidan.

Maskinen får endast hanteras av en enda person. När förbränningsmotorn går måste användaren uppehålla sig inom arbetsområdet. (⇒ 10.1)

Maskinen får under drift aldrig lyftas, skjutas eller dras i transporthandtaget, skyddsplåten eller andra maskindelar utom i styrhandtagets handtag – och absolut inte av en annan person.

De inkopplings- och säkerhetsanordningar som installerats på maskinen får inte tas bort eller kringgås. Särskilt drivspakarna får inte fixeras på styrhandtagets överdel (t.ex. genom att de binds fast).



STOP

Varning – risk för personskador!

Håll händer och fötter borta från roterande delar.

Säkerhetsavståndet som skapas av styrhandtaget måste alltid hållas. Säkerhetsavståndet motsvarar längden på det enligt föreskrift monterade och utfällda styrhandtaget – förändra inte styrhandtaget och ta aldrig maskinen i bruk med nedfällt styrhandtag.

Fäst aldrig föremål på styrhandtaget (t.ex. arbetskläder).

Arbeta endast i dagsljus eller bra artificiell belysning.

Använd inte maskinen vid regn, åskväder och absolut inte vid risk för blixtnedslag.

På våt mark ökar risken för olycksfall (användaren halkar lättare).

Var särskilt försiktig pga halkrisken.

Undvik om möjligt att använda maskinen på våt mark.

Ta inte maskinen i bruk på asfalt, plattor osv. med monterade skär.

Var särskilt uppmärksam när maskinen används i närheten av sluttningar, stup, diken och vallar. Se till att hålla ett tillräckligt avstånd till sådana farliga ställen.

Avgaser:



Livsfara pga förgiftning!

Sluta arbeta omedelbart vid illamående, huvudvärk, synstörningar (t.ex. mindre synfält), hörsel fel, svindel och koncentrationssvårigheter. Dessa symtom kan bl.a. orsakas av hög avgaskoncentration.



Maskinen alstrar giftiga gaser, så snart förbränningsmotorn går. Dessa gaser innehåller giftig kolmonoxid, en färg- och luktlös gas, samt andra skadliga ämnen. Förbränningsmotorn får aldrig tas i bruk i slutna eller dåligt ventilerade utrymmen.

Se upp med avgaserna som kommer ut ur avgasröret. Rikta inte avgasröret mot personer.

Starta:

Starta maskinen försiktigt – följ anvisningarna i kapitlet "Ta maskinen i bruk" (⇒ 11.). En startning enligt dessa anvisningar minskar risken för personskador.

Risk för personskador!

Om startlinan hoppar tillbaka snabbt dras handen och armen mot förbränningsmotorn snabbare än man kan släppa startlinan. Denna kickback kan orsaka benbrott, klämskador och stukningar.

Se till att fötterna befinner sig på ett säkert avstånd från arbetsverktygen.

Maskinen får inte tippas när den startas.

Drivspakarna får inte aktiveras vid start.

Arbete i sluttningar:

Arbeta alltid på tvären och inte på längden i en sluttning.

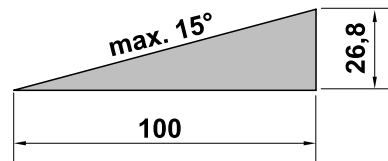
Användaren får inte stå nedanför maskinen vid arbete i sluttningar. Om han förlorar kontrollen skulle han då få den gående maskinen över sig.

Var särskilt försiktig när du ändrar riktning i en sluttning.

Se alltid till att du står stadigt i sluttningar och undvik att använda maskinen i alltför branta sluttningar.

Maskinen kan tippa vid användning i sluttningar. Av säkerhetsskäl får maskinen inte användas i sluttningar med en lutning över 15° (26,8 %). **Risk för personskador!**

15° stigning motsvarar en vertikal lutning på 26,8 cm vid 100 cm horisontal längd.



För att förbränningsmotorn ska smörjas tillräckligt vid användning av maskinen i sluttningar ska även uppgifterna i den bifogade bruksanvisningen för förbränningsmotorn beaktas.

Arbetet:



Risk för personskador!

Håll händer och fötter borta från roterande delar.

Hantera maskinen alltid med båda händerna av säkerhetsskäl – båda händerna måste befinna sig på styrhandtagets handtag under drift. Använd aldrig bara en hand.

Reglera arbetsdjupet endast genom att trycka på bromssporren.

Var särskilt uppmärksam när maskinen används på mycket svårbearbetad mark (t.ex. stenig eller hård) – reducera arbetsverktygens rotationshastighet (gasreglage).

Arbeta bara med gånghastighet – spring inte när du arbetar med maskinen. Om maskinen körs med för hög fart ökar risken för personskador pga snubbling, halkning osv.

Varning – risk för personskador!

Var särskilt försiktig och håll tillräckligt avstånd mellan arbetsverktygen (skär) och fötterna när du vänder maskinen, drar den till dig eller använder backväxeln.

Varning – risk för att snubbla!

Se upp med hinder bakom dig när du drar maskinen bakåt.

Stäng av förbränningsmotorn och dra bort tändstiftskontakten om maskinen har kört fast. Lyft och befria maskinen med hjälp av en annan person.

Stäng av förbränningsmotorn:

- Om maskinen måste tippas för transport.
- När du skjuter eller drar maskinen till och från arbetsstället.
- När du lämnar maskinen resp. när maskinen lämnas utan tillsyn.
- Innan du fyller på bränsle. Tanka endast när förbränningsmotorn är kall.
Brandrisk!

- När du skjuter eller drar maskinen till och från en yta som inte ska bearbetas.

Stäng av förbränningsmotorn och dra bort tändstiftskontakten:

- Innan du åtgärdar blockeringar.
- Innan du lyfter och bär maskinen.
- Innan du transporterar maskinen.
- Innan maskinen kontrolleras eller rengörs, eller andra arbeten genomförs på den (t.ex. att styrhandtaget ställs in, transportstödet fälls ut).
- Om du har kört på ett främmande föremål eller om maskinen börjar vibrera kraftigt. Kontrollera i så fall maskinen, särskilt arbetsverktygen (skär, skärfäste, drivaxel), beträffande skador och genomför nödvändiga reparationer innan du startar och arbetar med maskinen på nytt.



Risk för personskador!

Kraftig vibration är oftast en indikation på en störning. Jordfräsen får absolut inte tas i bruk med en skadad eller böjd drivaxel resp. med skadade arbetsverktyg. Låt en fackman utföra nödvändiga reparationer – STIHL rekommenderar en STIHL servande fackhandel – om du saknar den kunskap som krävs.

4.7 Underhåll och reparationer

Inför rengörings, inställnings, reparations och underhållsarbeten:

- Ställ maskinen på fast och jämn mark.
- Stäng av förbränningsmotorn och låt den svalna.

- Dra bort tändstiftskontakten.



Varning – risk för personskador!

Håll bort tändstiftskontakten från tändstiftet. En oavsiktlig tändgnista kan leda till brand eller elektriska stötar. En oavsiktlig kontakt mellan tändstiftet och tändstiftskontakten kan leda till att förbränningsmotorn startar av misstag.

Tippa maskinen bakåt för rengöring eller underhåll. Om maskinen tippas åt sidan eller framåt kan det uppstå skador på förbränningsmotorn och andra maskindelar, vilket kan leda till dyra reparationer.

Låt alltid maskinen svalna före underhåll vid växellådan, förbränningsmotorn, avgasgrenröret och ljuddämparen. Temperaturen kan bli 80 °C eller högre.

Risk för brännskador!

Det kan vara farligt att komma i kontakt med motorolja, dessutom får motorolja inte spillas ut.

STIHL rekommenderar att en STIHL servande fackhandel fyller på resp. byter motorolja.

Kontrollera hela maskinen regelbundet beträffande slitage och skador, särskilt innan förvaring av maskinen (t.ex. före ett vinteruppehåll). Utslitna eller skadade delar måste bytas ut omedelbart av säkerhetsskäl så att maskinen alltid är i säkert bruksskick.

Rengöring:

Hela maskinen måste rengöras noggrant efter arbetet. (⇒ 12.2)

Lossa rester som sitter fast med hjälp av en träpinne. Rengör maskinens undersida med en borste och vatten. Använd inte aggressivt rengöringsmedel.

De kan skada plast och metall, och kan påverka användningen av din STIHL maskin negativt.

Maskinens undersida (alla delar under skyddsplåten) får rengöras med hjälp av en högtryckstvätt resp. ångtvätt. Håll ett avstånd på minst 1 m och rikta inte vattenstrålen direkt mot lagerställen och tätningar – särskilt inte mot tätningen mellan växelhuset och skyddsplåten.

Håll området kring kylöppningarna, kylflänsarna och avgasröret fritt från t.ex. gräs, halm, mossa, löv eller fett, för att förhindra brandrisk.

Underhåll:

Genomför endast underhåll som beskrivs i denna bruksanvisning. Alla andra arbeten ska utföras av en servande fackhandel. Kontakta **alltid** en servande fackhandel om du saknar de rätta kunskaperna eller hjälpmedlen.

STIHL rekommenderar att underhåll och reparationer endast utförs av en STIHL servande fackhandel.

En STIHL servande fackhandel får regelbundna erbjudanden om vidareutbildning och innehar teknisk information.

Använd endast verktyg, tillbehör eller tillsatsredskap, som har godkänts av STIHL för denna maskin eller tekniskt likvärdiga delar. I annat fall föreligger risk för olyckor med personsador eller skador på maskinen som följd. Kontakta en servande fackhandel vid frågor.

Egenskaperna på original STIHL verktyg, tillbehör och reservdelar är optimalt anpassade till maskinen och användarens behov. Original STIHL reservdelar identifieras på STIHL reservdelsnumret,

texten STIHL och i vissa fall STIHL reservdelsmarkeringen. På små delar kan beteckningen även stå ensam.

Av säkerhetsskäl ska bränsleledande komponenter (bränsleledning, bränslekran, bränsletank, tanklock, anslutningar osv.) regelbundet kontrolleras beträffande skador och läckage och bytas ut av en fackman vid behov (STIHL rekommenderar en STIHL servande fackhandel).

Se till att varnings- och instruktionsetiketterna alltid är rena och läsbara. Skadade eller förlorade etiketter ska bytas mot nya originalsyltar från din STIHL servande fackhandel. Se till att den nya delen har samma etiketter när en komponent byts ut mot en ny del.

Kontrollera att alla muttrar, bultar och skruvar så att maskinen är i säkert driftsskick.

Ändra inte förbränningsmotorns grundinställning och övervarva den inte.

Om komponenter eller skyddsanordningar har tagits bort för underhåll måste de sättas tillbaka så snart som möjligt och i enlighet med föreskrifterna.

Beakta typen och kombinationen av skär vid byte av arbetsverktygen (skär) – endast av STIHL godkända varianter är tillåtna.

4.8 Förvaring under längre driftsuppehåll

Låt förbränningsmotorn svalna innan maskinen ställs in i ett slutet utrymme.

Förvara maskinen med tom tank och bränslet i ett låsbart och bra ventilerat utrymme.

Se till att maskinen skyddas mot obehörig användning (t.ex. av barn).

Förvara aldrig maskinen inomhus med bensin i tanken. Bensinångorna kan komma i kontakt med öppen eld eller gnistor och antändas.

Om tanken ska tömmas, t.ex. vid avställning för vinteruppehåll, bör bränsletanken endast tömmas utomhus (t.ex. genom att låta förbränningsmotorn gå).

Rengör maskinen noggrant innan förvaring (t.ex. vinteruppehåll).

Förvara maskinen bara med bortdragen tändstiftskontakt.

Förvara maskinen i säkert bruksskick.

Låt maskinen svalna helt, innan den täcks över.

4.9 Sluthantering

Avfall som gammal olja eller bränsle, använt smörjmedel, filter, batterier och liknande förslitningsdelar kan skada människor, djur och miljö och måste därför sluthanteras på ett fackmannamässigt sätt.

Kontakta en återvinningsstation eller en servande fackhandel för mer information om hur avfallsprodukter ska sluthanteras på ett fackmannamässigt sätt. STIHL rekommenderar en STIHL servande fackhandel.

Se till att den uttjänta maskinen sluthanteras på ett fackmannamässigt sätt. Beakta uppgifterna i kapitlet "Miljöskydd". (⇒ 14.)

5. Symbolbeskrivning



**Varning –
risk för personskador!**



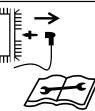
Läs och beakta
bruksanvisningen och
säkerhetsanvisningarna före
idrifttagning.



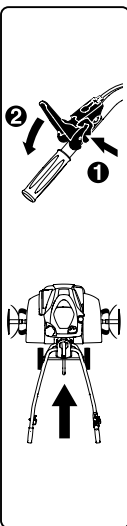
Roterande verktyg: Håll
händer och fötter borta från
roterande verktyg. Drift med
endast skyddskåpor.



Håll
säkerhetsavståndet.

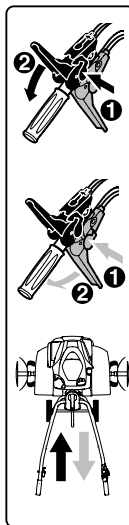


Dra bort
tändstiftskontakten
före underhåll och
rengöring.



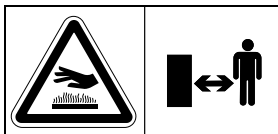
MH 445:

Innan du kan aktivera drivspaken måste du av säkerhetsskäl först trycka in låsspaken. Därmed förhindras en oavsiktlig aktivering av drivspaken.



MH 445 R, MH 560, MH 585, MH 685:

Innan du kan aktivera drivspaken måste du av säkerhetsskäl först trycka in motsvarande låsspak. Därmed förhindras en oavsiktlig aktivering av en drivspak. Den svarta drivspaken är för framväxeln, den röda drivspaken är för backväxeln.



Risk för brännskador!

Ta inte på varma ytor. Växelhuset blir varmt.

6. Leveransens omfattning



Pos.	Beteckning	Antal
A	Grundmaskin	1
B	Styrhandtag	1
C	Spännarm	1
D	Transportstöd	1
E	Bromssporre	1
F	Skyddslist vänster	1
G	Skyddslist höger	1

Pos.	Beteckning	Antal	EN	NO	SV	FI	DA	SL	SK	TR	HU	SR	HR	BG	UK	ET	MK	
H	MH 445, MH 445 R: Skär	4																
I	MH 560, MH 585, MH 685: Dubbelt skär	2																
J	MH 585, MH 685: Enkelt skär	2																
K	Skyddsring	2																
L	Växtskyddsskiva	2																
M	Drivspak (framåt) svart	1																
N	MH 445 R, MH 560, MH 585, MH 685: Drivspak (bakåt) röd	1																
O	MH 445: Låsmutter M6	1																
P	MH 445: Skydd	1																
Q	Låsmutter M6	1																
R	Platt rundskruv M6	1																
S	MH 445, MH 445 R, MH 585, MH 685: Sprint 10x40 MH 560: Sprint 10x40	6																
T	Platt rundskruv M8	2																
U	Sexkantmutter M8	2																
V	Buntband	2																
–	Bruksanvisning	1																
–	Bruksanvisning Förbränningsmotor	1																
–	MH 560, MH 585, MH 685: Tändstiftsnyckel	1																

7. Göra maskinen klar för användning

7.1 Monteringsanvisningar



Risk för personskador!

Beakta säkerhetsanvisningarna i kapitlet "För din säkerhet". (⇒ 4.)
Dra alltid bort tändstiftskontakten och använd kraftiga skyddshandskar vid allt arbete på skären.

Beakta åtdragningsmomenten!

Dra och fäst alltid drivwirarna och gaswiren enligt beskrivningen.
Felmonterade wirar (t.ex. felaktig dragning eller fastsättning i fel drivspak) kan orsaka felfunktioner.

- Genomför alla beskrivna arbeten på ett rent, vågrätt, jämnt och fast underlag.
- Beakta monteringslägena – se alltid till att maskinen står stadigt och säkert.
- Följ anvisningarna för wiremonteringen noggrant och fixera alla wirar med **buntband** på styrhandtaget, för att undvika skador eller ev. felfunktioner på maskinen (t.ex. när styrhandtaget fälls ned).

Drivspakar, drivwirar

MH 445:

- Svart drivspak på styrhandtagets ovansida.
- En drivwire (framåt).

MH 445 R, MH 560, MH 585, MH 685:

- Svart drivspak på styrhandtagets ovansida.

- Röd drivspak på styrhandtagets undersida.
- En drivwire (framåt). Wiren har en **svart hatt** och ska fästas på den svarta drivspaken.
- En drivwire (bakåt). Wiren har en **röd hatt** och ska fästas på den röda drivspaken.

7.2 Montera stöd



- Monteringsläge:
Vält grundmaskinen (A) framåt som bilden visar och lägg in lämpliga träunderlag (1) (höjd 50 - 60 mm, bredd/längd ca 100 mm) vid båda drivaxlarna för stabilisering.
- **1** Tryck fästklämman (2) uppåt och håll den så.
- **2** För in transportstödet (D) i urtaget (3) vid låsspakens bult (4).
- Tryck transportstödet (D) uppåt till anslag och håll det så.
- **3** Tryck fästklämman (2) nedåt. För in skruvarna (T) nedifrån på båda sidor.
- **4** Fäst fästklämman (2) genom att skruva fast båda muttrarna (U).

7.3 Montera bromssporre



- Monteringsläge:
se "Montera stöd" (⇒ 7.2)
- Tryck in låsbulten (1) och håll den så.
- För in bromssporren (E) nedifrån i adaptern (2) och skjut den uppåt till anslag.
- Släpp låsbulten (1) och dra bromssporren (E) nedåt tills den hakar fast.

- Kontrollera att bromssporren (E) sitter säkert.

7.4 Montera styrhandtag



- **1** Monteringsläge:
se "Montera stöd" (⇒ 7.2)
- Ta bort gummibandet (1).
- **2** Lyft konsolen (2) och håll den så.
- **3** För in styrhandtaget (B) till anslag centralt mellan konsolen (2) och styrhandtagets underdel (3) och håll det så. Byglarna på fjädern (4) måste gå längs lägesinställningen (5). Kontrollera läget på fjädern (4) i justeranordningen (6), fäst fjädern vid behov.
- **4** Dra åt skruven (7).
- **5** Skruva ut muttern (8) på spännarmen (C) och ta bort den tillsammans med fjädern (9).
- Skjut spännarmen (C) med den integrerade skruven uppifrån genom konsolen (2) och styrhandtagets underdel (3). Skjut på fjädern (9) på spännarmen (C). Dra åt muttern (8) ett till två varv.



Anvisning!

Montera spännarmen (C), så att den måste tryckas framåt mot förbränningsmotorn för att kunna spännas.

- **6** Välj den mittersta positionen för styrhandtagets överdel (3). (⇒ 11.3)
- Tryck spännarmen (C) framåt med handen.
- Dra åt muttern (8) med 5 Nm (inte till anslag).

- Kontrollera låsningen: Spännarmen (C) är riktigt monterad när spännarmen kan manövreras för hand samtidigt som styrhandtaget är fast fixerat på grundmaskinen.
- Justera spännkraften: Lossa spännarmen och justera spännkraften genom att skruva in eller ut muttern (8), om styrhandtaget inte kläms tillräckligt eller om spännarmen inte kan manövreras för hand. Tryck sedan spännarmen framåt på nytt.



Risk för personskador!

Maskinen får endast skjutas eller dras när styrhandtaget är fast fixerat på grundmaskinen (styrhandtaget får inte vara löst när det är fastspänt).

7.5 Fälla upp styrhandtag



- Dra spännarmen (1) uppåt. Fäll upp styrhandtagets överdel (2) i pilens riktning.
- Tryck spännarmen (1) framåt till anslaget.
- Ställ in styrhandtagets höjd. (⇒ 11.2)

7.6 Montera skyddslistor



- Kontrollera de förmonterade skruvarna (1) i skyddslisterna (F, G) – skruva inte loss dem helt.
- Tippla jordfräsen i rengöringsposition. (⇒ 12.2)
- För in skyddslistan vänster (F) med de tre förmonterade skruvarna (1) i de tre hålen (2) på skyddsplåten.

- Skjut skyddslistan (F) framåt och håll den så.
- Skruva fast skruvarna (1) och dra åt med 10 - 12 Nm.
- Kontrollera att skyddslistan (F) sitter fast ordentligt och montera därefter den högra skyddslistan (G) på samma sätt.

7.7 Montera skär MH 445, MH 445 R



- Tippla jordfräsen i rengöringsposition. (⇒ 12.2)



Följ monteringsanvisningen exakt. Beakta ordningsföljden och montera skyddsringarna, skären och sprintarna komplett enligt beskrivningen. Beakta den visade fästriktningen och låsbygeln placering exakt vid monteringen av sprinten. Vid felaktig resp. vriden montering kan sprinten lossna av sig själv och tappas bort.

För ett bra arbetsresultat måste skärens eggjar peka framåt (inte mot styrhandtaget) – beakta pilmarkeringarna.

Skärdefinition:

- Skär (1): Lika stor ytterdiameter på axelfästet (2).
- Skär (3): Olika stor ytterdiameter på axelfästet (4).



- Skjut på skyddsringen (K) till anslag på drivaxeln (5). Urtagen på skyddsringen måste snäppa in i de tre låsklackarna på växelhuset (6).

- Placera skäret (1) så att det **kortare** axelfästet (2) pekar mot växelhuset och att eggarna (7) pekar framåt. Pilarna (8) på skäret och pilen (9) på växelhuset (6) måste peka i samma riktning.

- Skjut på skäret (1) på drivaxeln (5).
- Vrid skäret (1) så att hålen på axelfästet och drivaxeln stämmer överens.



- Sätt in sprinten (S) genom hålen och stäng låsbygeln.



- Placera skäret (3) så att den **mindre** ytterdiametern på axelfästet (4) pekar mot det redan monterade skäret (1) och att eggarna (7) pekar framåt. Pilarna (8) på skäret och pilen (9) på växelhuset (6) måste peka i samma riktning.

- Skjut in skäret (3) i det redan monterade skäret (1).

- Vrid skäret (3) så att hålen på båda skären stämmer överens.




- Sätt in sprinten (S) genom hålen och stäng låsbygeln.
- Montera växtskyddsskivan vid behov. (⇒ 7.9)
- Upprepa skärmonteringen på den andra sidan.

7.8 Montera skär MH 445, MH 585, MH 685



- Tippla jordfräsen i rengöringsposition. (⇒ 12.2)

 Följ monteringsanvisningen exakt. Beakta ordningsföljden och montera skyddsringarna, skären och sprintarna komplett enligt beskrivningen. Beakta den visade fästrikningen och låsbygeln placering exakt vid monteringen av sprinten. Vid felaktig resp. vriden montering kan sprinten lossna av sig själv och tappas bort.

För ett bra arbetsresultat måste skärens eggjar peka framåt (inte mot styrhandtaget) – beakta pilmarkeringarna.

Skärdefinition:

- Skär (I):
Dubbelradigt skär.
- Skär (J):
Enradigt skär.

MH 560, MH 585, MH 685

- Skjut på skyddsringen (K) till anslag på drivaxeln (1). Urtagen på skyddsringen måste snäppa in i de tre låsklackarna på växelhuset (2).
- Placera skäret (I) så att det **kortare** axelfästet (3) pekar mot växelhuset och så att eggarna (4) pekar framåt. Pilarna (5) på skäret och pilen (6) på växelhuset (2) måste peka i samma riktning.
- Skjut på skäret (I) på drivaxeln (1).
- Vrid skäret (I) så att hålen på axelfästet och drivaxeln stämmer överens.

MH 560, MH 585, MH 685

- Sätt in sprinten (S) genom hålen och stäng låsbygeln.

MH 585, MH 685

- Placera skäret (J) så att den **mindre** ytterdiametern på axelfästet (7) pekar mot det redan monterade skäret (I) och så att eggarna (4) pekar framåt. Pilarna (5) på skäret och pilen (6) på växelhuset (2) måste peka i samma riktning.
- Skjut in skäret (J) i det redan monterade skäret (I).
- Vrid skäret (J) så att hålen på båda skären stämmer överens.

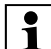
MH 585, MH 685

- Sätt in sprinten (S) genom hålen och stäng låsbygeln.

MH 560, MH 585, MH 685

- Montera växtskyddsskivan vid behov. (⇒ 7.9)
- Upprepa skärmonteringen på den andra sidan.

7.9 Montera växtskyddsskiva

 Beakta den visade fästrikningen och låsbygeln placering exakt vid monteringen av sprinten. Vid felaktig resp. vriden montering kan sprinten lossna av sig själv och tappas bort.

- Fäst växtskyddsskivan (L) på det yttre skäret. Vrid växtskyddsskivan så att hålen på skivan och skäret stämmer överens.
- Sätt in sprinten (S) genom hålen och stäng låsbygeln.
- Upprepa momentet på den andra sidan.





7.10 Montera drivspakar



- Beakta monteringsanvisningarna. (⇒ 7.1)
- Sätt in den svarta drivspaken (M) med den integrerade skruven (1) uppifrån genom hålet i styrhandtagets överdel.
- MH 445:
Skruva fast låsmuttern (O) och dra åt med 7 - 9 Nm. Fäst skyddet (P).
- MH 445 R, MH 560, MH 585, MH 685:
Placera den röda drivspaken (N) så att skruven på den svarta spaken kan skruvas in i den röda spakens integrerade mutter.
Tryck upp den röda drivspaken (N) mot styrhandtaget. Skruva fast skruven (1) och dra åt med 7 - 9 Nm.

7.11 Dra drivwire



- Beakta monteringsanvisningarna. (⇒ 7.1)
-  Veckla ut drivwiren (framåt) (1) och fäst den i hållaren (2).
-  Dra åt muttern (3) med 2 - 4 Nm.
- Dra drivwiren (framåt) (1) uppåt enligt följande:
 -  Dra drivwiren (framåt) (1) över styrhandtagets överdel (4).
 -  Dra drivwiren (framåt) (1) under tvärstaget (5) på styrhandtagets överdel.

- MH 445 R, MH 560, MH 585, MH 685: Dra drivwiren (bakåt) (6) under vändspaken (7) på förbränningsmotorns högra sida. Dra wiren på styrhandtaget uppåt som drivwiren (framåt).

7.12 Fästa drivwire



- Beakta monteringsanvisningarna. (⇒ 7.1)

Drivwire (framåt):

- För in wrens nippel (1) med den svarta hatten (2) på den svarta drivspaken (M).
- För in nippeln (1) genom öppningen (3) på spaken (4). Använd en lämplig tång vid behov.
- Dra i nippeln (1) med hjälp av en lämplig tång och fäst den i spaken (4) som bilden visar.
- Tryck fast hatten (2) på drivspaken (4) och låt den snäppa in.
- **Funktionskontroll:** Aktivera drivspaken. (⇒ 8.2) Drivspaken måste gå lätt.

Drivwire (bakåt)

MH 445 R, MH 560, MH 585, MH 685:

- För in wrens nippel med den röda hatten på den röda drivspaken.
- Den fortsatta monteringen sker på samma sätt som montering av drivwiren (framåt).

7.13 Dra och montera gaswire



- Beakta monteringsanvisningarna. (⇒ 7.1)
- Veckla ut gaswiren (1) och dra den enligt följande:
 - A** Dra gaswiren över styrhandtagets överdel (2).
 - B** Dra gaswiren under tvärstaget (3) på styrhandtagets överdel.
- Sätt in skruven (T) i hålet på gaswrens hölje (4). Fäst gaswrens hölje med isatt skruv inifrån på styrhandtagets överdel och håll det så. Skruva fast låsmuttern (U) och dra åt med 7 - 9 Nm.

7.14 Fixera wirar på styrhandtag



- Beakta monteringsanvisningarna. (⇒ 7.1)
- MH 445: Fixera drivwiren (1) med ett buntband (V) på den högra sidan på styrhandtagets överdel.
- MH 445 R, MH 560, MH 585, MH 685: Fixera båda drivwirarna (1, 2) med ett buntband (V) på den högra sidan på styrhandtagets överdel.
- Fixera gaswiren (3) med ett buntband (V) på den vänstra sidan på styrhandtagets överdel.
- Kontrollera att buntbanden sitter fast ordentligt. Skär av buntbandens utstående del.

7.15 Bränsle och motorolja



Undvik skador på maskinen!

Fyll på motorolja före första start. Använd en lämplig påfyllningstratt vid påfyllning av motorolja resp. vid tankning.



Motorolja:

Typen av motorolja som ska användas och oljepåfyllningsmängden finns i förbränningsmotorns bruksanvisning. Kontrollera oljenivån regelbundet (se förbränningsmotorns bruksanvisning). Under- och överskrid inte rätt oljenivå. Skruva fast oljetankslocket ordentligt före idrifttagning av förbränningsmotorn.

Bränsle:

Rekommendation: Färskt bränsle av känt märke. Blyfri bensin. Uppgifter om bränslekvalitet (oktantal) finns i förbränningsmotorns bruksanvisning.



8. Reglage

8.1 Gasreglage



Förbränningsmotorns varvtal kan regleras med gasreglaget (1).

Startposition:

- Dra gasreglaget (1) **bakåt** till anslag.
- Förbränningsmotorn kan startas. (⇒ 11.6)



Stopposition:



- Skjut gasreglaget (1) **framåt** till anslag (beakta inställningen).
- Förbränningsmotorn stannar efter några få sekunder.

Varvtalsreglering:

- Flytta gasreglaget (1) när förbränningsmotorn går.

Motorvarvtal:

Högt



Lågt



8.2 Drivspak

Om en drivspak (1, 3) aktiveras när förbränningsmotorn går kopplas drivningen in resp. från – drivaxeln börjar rotera resp. stannar.



Med den **svarta** drivspaken (framåt) (1) börjar jordfräsen gå **framåt** vid markkontakt och monterade skär.

Med den **röda** drivspaken (bakåt) (3) börjar jordfräsen gå **bakåt** vid markkontakt och monterade skär.

Av säkerhetsskäl är drivspakarna mekaniskt spärrade mot oavsiktlig inkoppling. (⇒ 9.1)

Dessutom kan alltid endast en drivspak tryckas ned på modellerna MH 445 R, MH 560, MH 585, MH 685 pga av en mekanisk spärr – antingen drivspaken (framåt) eller drivspaken (bakåt).



Undvik skador på maskinen!

Aktivera drivspaken snabbt i en rörelse. Stanna inte i halvt läge – undvik kraftigt slitage på kilremmen.

Aktivera drivspak (framåt):

- **1** Tryck låsspaken (2) till anslag mot drivspaken (framåt) (1) och håll den så.
- **2** Tryck drivspaken (framåt) (1) till anslag i en rörelse och håll den så.
- Släpp låsspaken (2). Drivningen är inkopplad och drivaxeln roterar.
- **3** Frikoppla drivningen: Släpp drivspaken (framåt) (1).



Aktivera drivspak (bakåt) (MH 445 R, MH 560, MH 585, MH 685):

- **1** Tryck låsspaken (4) till anslag mot drivspaken (bakåt) (3) och håll den så.
- **2** Tryck drivspaken (bakåt) (3) till anslag i en rörelse och håll den så.
- Släpp låsspaken (4). Drivningen är inkopplad och drivaxeln roterar.
- **3** Frikoppla drivningen: Släpp drivspaken (bakåt) (3).



9. Säkerhetsanordningar

Maskinen är utrustad med flera säkerhetsanordningar för en säker hantering och till skydd för obehörig användning.



Risk för personskador!

Säkerhetsanordningarna får inte tas bort, kringgås, förändras eller skadas. Maskinen får inte tas i bruk om någon av säkerhetsanordningarna har en sådan defekt. Kontakta en servande fackhandel – STIHL rekommenderar en STIHL servande fackhandel.

9.1 Låsning drivspakar

Drivspakarna är mekaniskt spärrade av säkerhetsskäl, så att en oavsiktlig aktivering förhindras.

Motsvarande låsspak måste först tryckas, för att en drivspak ska kunna aktiveras. (⇒ 8.2)

9.2 Skyddsanordningar

Jordfräsen är utrustad med skyddsanordningar som förhindrar direkt kontakt med arbetsverktygen och skyddar mot uppkastade föremål. Hit räknas sidoskyddslisterna, skyddsplåten och det felfritt monterade styrhandtaget.

10. Arbetsanvisningar

10.1 Användarens arbetsområde

- Av säkerhetsskäl måste användaren uppehålla sig inom arbetsområdet (grå yta 1) under hela driftstiden (när förbränningsmotorn går).



- Jordfräsen får endast hanteras av en enda person. Andra personer måste hålla sig borta från det farliga området. (⇒ 4.)

10.2 Maskinens arbetsposition



- Jordfräsen får endast tas i bruk stående på marken (förbränningsmotorn uppåt). Håll jordfräsen så vågrät som möjligt under hela driftstiden. Undvik kraftig lutning eller tipping.

10.3 Skärkombinationer



Montera alltid samma antal skär på den vänstra och den högra drivaxeln.

Växtskyddsskivan kan monteras på alla beskrivna skärkombinationer. Den skyddar växterna runt om – t.ex. vid fräsning i en trång rabatt.

Möjliga kombinationer

MH 445, MH 445 R:

- 2 skär:
Ett enradigt skär på varje drivaxel
- 4 skär:
Två enradiga skär på varje drivaxel

Möjliga kombinationer

MH 560:

- 2 skär:
Ett dubbelradigt skär på varje drivaxel

Möjliga kombinationer

MH 585, MH 685:

- 2 skär:
Ett dubbelradigt skär på varje drivaxel

- 4 skär:
Ett dubbelradigt skär och ett enradigt skär på varje drivaxel

10.4 Lämplig arbetsställning



En lämplig arbetsställning under arbetet motverkar trötthet.

Maskinen (höjdinställning styrhandtag, justering bromsporre) bör därför ställas in så att arbetsställningen (ryggen) är rak under hela arbetstiden.

Lämplig arbetsställning:

- Rak rygg
- Raka ben
- Underarmarna lätt vinklade nedåt

11. Ta maskinen i bruk

11.1 Förberedande åtgärder



Risk för personskador!

Beakta säkerhetsanvisningarna i kapitlet "För din säkerhet" (⇒ 4.) och bekanta dig med jordfräsens reglage. (⇒ 8.)

- Kontrollera motoroljenivån och tanka. (⇒ 7.15)

11.2 Höjdinställning överdel styrhandtag



Styrhandtagets överdel kan ställas in i höjddled.

- Fäll ut transportstödet. (⇒ 11.4)

- Ta tag i handtaget (2) på styrhandtagets överdel (1) hårt med en hand och håll det så.
- Dra spännarmen (3) bakåt med den andra handen och håll den så.
- Ställ styrhandtagets överdel (1) i önskat läge.
- Tryck spännarmen (3) framåt och se till att styrhandtagets överdel snäpper in ordenligt och fixeras.
- Fäll in transportstödet vid behov. (⇒ 11.4)

11.3 Sidoinställning styrhandtag



Styrhandtaget kan fixeras i 3 lägen åt sidan.

- Fäll ut transportstödet. (⇒ 11.4)
- Håll fast styrhandtagets överdel på ett handtag med ena handen.
- Dra upp spännarmen (1) för hand.
- Ställ styrhandtaget i önskat läge. Se till att låsklacken (2) befinner sig ovanför ett av de tre urtagen (3).
- Tryck fram spännarmen (1) för hand och lås styrhandtaget.
- Kontrollera att styrhandtaget sitter fast ordentligt.
- Fäll in transportstödet vid behov. (⇒ 11.4)

11.4 Fälla ut och in transportstöd



Jordfräsen kan skjutas eller dras med hjälp av transportstödet.



Risk för personskador!

När transportstödet är i arbetsposition (uppfällt) och du trycker på låsspaken kan transportstödet falla ned i transportläge av sig själv.

Fälla ut transportstöd – transportläge:

- Lyft transportstödet (1) lite med en hand och håll det så.
- Tryck på låsspaken (2).
- Fäll ned transportstödet (1) till anslaget och släpp låsspaken (2). Transportstödet snäpper in och är fixerad.

Fäll in transportstödet – arbetsposition.

- Håll transportstödet (1) med en hand och avlasta det genom att lyfta upp det en aning.
- Tryck på låsspaken (2) och fäll upp transportstödet.
- Släpp låsspaken (2) och fäll upp transportstödet till anslag. Transportstödet snäpper in och är fixerad i arbetspositionen.

11.5 Ställa in bromssporre



Med bromssporren regleras motståndet vid markbearbetning och därmed drivningshastigheten. Bromssporren kan ställas in i tre steg för en bättre reglering.

Justera bromssporre:

- Fäll ut transportstödet i transportläge. (⇒ 11.4)
Se till att maskinen står stadigt och säkert.
- Tryck in låsbulten (1) och håll den så.

- Ställ bromssporren (2) i önskat läge.
- Släpp låsbulten (1) och se till att bromssporren snäpper in.

11.6 Starta förbränningsmotorn



- Ställ gasreglaget i startposition. (⇒ 8.1)
- Ta tag i greppet på startlinan (1) hårt med en hand och håll fast.
- Dra ut startlinan (1) långsamt till dragpunkten. Dra sedan kraftigt i en rörelse. Släpp tillbaka startlinan (1) långsamt, så att den kan rullas upp igen.
Upprepa stegen tills förbränningsmotorn går igång.

11.7 Stänga av förbränningsmotorn

- Ställ gasreglaget i stoppläge för att stänga av förbränningsmotorn. (⇒ 8.1)
Förbränningsmotorn stannar efter en kort avstanningsstid.

11.8 Koppla in och från drivning (framåt)

Koppla in drivning (framåt):

- Transportera jordfräsen till arbetsstället med avstängd förbränningsmotor. (⇒ 13.)
- Starta förbränningsmotorn. (⇒ 11.6)
- Håll fast jordfräsen med båda händerna på handtagen.

- Aktivera den **svarta** drivspaken (framåt) och håll den så. (⇒ 8.2)
Drivaxeln med de monterade arbetsverktygen börjar rotera, så att jordfräsen kör igång framåt.

Koppla från drivning (framåt):

- Släpp drivspaken (framåt). (⇒ 8.2)
Drivaxeln med de monterade arbetsverktygen stannar.

11.9 Koppla in och från drivning (bakåt) (MH 445 R, MH 560, MH 585, MH 685)

Jordfräsarna MH 445 R, MH 560, MH 585, MH 685 är utrustade med en backväxel.

Backväxeln ska endast användas för att befria jordfräsen när den har kört fast. Backväxeln är inte avsedd för fräsning.



Risk för personskador!

Se alltid till att utrymmet mellan användarens kropp och styrhandtaget är tillräckligt, innan drivningen (bakåt) kopplas in.

Koppla in drivning (bakåt):

- Transportera jordfräsen till arbetsstället med avstängd förbränningsmotor. (⇒ 13.1)
- Starta förbränningsmotorn. (⇒ 11.6)
- Håll fast jordfräsen med båda händerna på handtagen.
- Aktivera den **röda** drivspaken (bakåt) och håll den så. (⇒ 8.2)
Drivaxeln med de monterade arbetsverktygen börjar rotera, så att jordfräsen kör igång bakåt.

Koppla från drivning (bakåt):

- Släpp drivspaken (bakåt). (⇒ 8.2)
Drivaxeln med de monterade arbetsverktygen stannar.

11.10 Fräsning

Vid fräsning luckras jorden upp med roterande skär och förbereds för sådd, uppodling eller skötsel av växter.



Risk för personskador!

Arbeta endast framåt.

Se upp med hinder (t.ex. stenplattor på gångstigar) som inte får köras över.

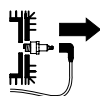
- Transportera jordfräsen till arbetsstället med avstängd förbränningsmotor. (⇒ 13.1)
- Fäll in transportstödet. (⇒ 11.4)
- Starta förbränningsmotorn. (⇒ 11.6)
- Håll fast jordfräsen med båda händerna på handtagen och stå stadigt – beakta användarens arbetsområde. (⇒ 10.1)
- Aktivera drivspaken (framåt) och håll den så. (⇒ 11.8)
Skären börjar rotera och fräsningen kan starta.
- Koppla från drivningen (⇒ 11.8), stäng av motorn (⇒ 11.7) och rengör maskinen (⇒ 12.2) efter arbetet.

12. Underhåll



Risk för personskador!

Läs noggrant kapitlet "För din säkerhet" (⇒ 4.), särskilt underkapitlet "Underhåll och reparation" (⇒ 4.7), och beakta alla säkerhetsanvisningar före underhåll eller rengöring av maskinen.



Dra bort tändstiftskontakten före underhåll och rengöring!

12.1 Demontera skär



När sprinten bredvid växelhuset lossas kan hela frässatsen med växtskyddsskivan dras loss från drivaxeln. Beakta uppgifterna i kapitlen "Montera skär" (⇒ 7.7), (⇒ 7.8) och "Skärkombinationer" (⇒ 10.3) vid monteringsarbeten på skären.

- Låt maskinen (förbränningsmotor, växellåda) svalna helt.
- Tippa jordfräsen i rengöringsposition. (⇒ 12.2)
- Demontera växtskyddsskiva: Fäll upp låsbygeln på sprinten (1) och dra loss sprinten. Dra loss växtskyddsskivan (2).
- Demontera skär: Fäll upp låsbygeln på sprinten (3) och dra loss sprinten. Dra loss skären komplett (4).

- Dra loss skyddsringarna (5) och förvara dem på ett säkert ställe – tappa inte bort dem!

12.2 Göra rent maskinen



Underhållsintervall: Efter varje användning

- Rengör hela maskinen noggrant efter varje användning. Bra skötsel skyddar maskinen och förlänger livslängden.
- Låt maskinen svalna helt innan rengöring, dra bort tändstiftskontakten och bär långärmad klädsel och använd skyddshandskar vid rengöringsarbeten på växellåda och skär.

Rengöringsposition:



Undvik skador på maskinen!

Ställ jordfräsen endast kort stund (rengöringsarbeten och underhåll) i det visade läget. Placera maskinen upprättstående vid förvaring.

- Fäll ut transportstödet. (⇒ 11.4)
- Ställ styrhandtagets överdel i det översta läget. (⇒ 11.2)
- Ställ jordfräsen på jämnt och fast underlag.
- Tippa maskinen bakåt tills styrhandtaget når marken.

Anvisningar om rengöring:

- Ta bort föroreningar och fastsittande rester med en borste, med en fuktig trasa eller med en träpinne – använd inte aggressiva rengöringsmedel. STIHL rekommenderar användningen av ett specialrengöringsmedel (t.ex. STIHL specialrengöring).

- Rikta aldrig en vattenstråle mot styrhandtaget, förbränningsmotordelar, tätningar och lagerställen. Detta skulle leda till dyra reparationer.
- **Förbränningsmotor:**
Ta bort föroreningar på kylflänsarna, fläkthjulet, området runt luftfiltret, avgasröret osv., för att garantera en tillräcklig kylning av förbränningsmotorn.
- **Växelhus, stöd och skär** kan rengöras med hjälp av en vattenstråle resp. en högtryckstvätt.



Undvik skador på maskinen!

Håll ett avstånd på **minst 1 m** vid användningen av en högtryckstvätt och rikta inte vattenstrålen direkt mot lagerställen, drivaxel och tätningar – särskilt inte mot tätningen mellan växelhuset och skyddsplåten.

12.3 Förbränningsmotor

Underhållsintervall: Före varje användning

Kontrollera motoroljenivån (se förbränningsmotorns bruksanvisning).

Beakta skötsel- och underhållsanvisningarna i den bifogade bruksanvisningen för förbränningsmotorn.

12.4 Serviceintervall



Undvik skador på maskinen!

Underhåll på växellådan får endast genomföras av en servande fackhandel.

Underhåll av servande fackhandel: Varje år vid privat bruk

Jordfräsen bör kontrolleras av en servande fackhandel. STIHL rekommenderar en STIHL servande fackhandel.

Underhåll av användare:

- **Före varje idrifttagning**
Kontrollera motoroljenivån (se förbränningsmotorns bruksanvisning).
- **Efter varje användning**
Rengör maskinen. (⇒ 12.2)

12.5 Förvaring och avställning (vinteruppehåll)



Förvara jordfräsen i normalläge (utfällt transportstöd). Fäll ned styrhandtaget bakåt som bilden visar vid förvaring. Det sparar utrymme.



Tipprisk!

Om skären står i ett ogynnsamt läge kan jordfräsen tippa framåt. Kontrollera därför alltid att jordfräsen står stadigt. Vrid vid behov skären lätt för att minska framtongheten. Ett annat alternativ är att stötta jordfräsen vid bärhandtaget när det ska förvaras.

Förvara maskinen i ett torrt, slutet och dammfritt utrymme. Se till att den förvaras utom räckhåll för barn.

Eventuella störningar ska alltid åtgärdas innan förvaring. Maskinen måste alltid vara i säkert bruksskick. Se till att alla muttrar, bultar och skruvar är hårt åtdragna, byt ut riskhänvisningar och varningsanvisningar på maskinen som blivit oläsliga, kontrollera hela maskinen beträffande slitage och skador. Byt ut utslitna och skadade delar.

Beakta dessutom följande punkter vid en längre tids avställning av maskinen (vinteruppehåll):

- Rengör noggrant alla yttre delar på maskinen.
- Töm bränsletanken och förgasaren.
- Olja resp. fetta in alla rörliga delar.
- Skruva loss tändstiftet (se förbränningsmotorns bruksanvisning) och fyll på ca 3 cm³ motorolja i förbränningsmotorn genom tändstiftshålet. Dra runt förbränningsmotorn några varv utan tändstift (dra i startlinan).



Brandrisk!

Håll tändstiftskontakten borta från tändstiftshålet på grund av antändningsrisken.

- Skruva i tändstiftet igen (se förbränningsmotorns bruksanvisning).
- Byt olja (se förbränningsmotorns bruksanvisning).
- Täck över förbränningsmotorn och förvara maskinen i normalläge.

13. Transport

13.1 Transportera jordfräsen



Risk för personskador!

Beakta säkerhetsanvisningarna i kapitlet "För din säkerhet" (⇒ 4.), särskilt avsnittet "Transport" (⇒ 4.4).

Stäng av förbränningsmotorn före transporten, dra bort tändstiftskontakten och bär lämplig skyddsklädsel (stadiga skor, skyddshandskar, overall som skyddar händer och ben).

Tänk på maskinens vikt! (⇒ 18.)

1 Dra eller skjuta jordfräsen:

- Ställ bromssporren i det övre läget. (⇒ 11.5)
- Fäll ut transportstödet. (⇒ 11.4)
- Håll fast jordfräsen i båda handtagen (1) och tippa den bakåt, tills maskinen står på transporthjulen.
- Dra eller skjut jordfräsen långsamt (gånghastighet). Skjut maskinen på plan och jämn mark, och dra den på ojämn mark.



Risk för personskador!

Var extra försiktig i trappor, förbi avsatser, sneda ramper och andra upphöjningar, eftersom maskinen är tung.

Användaren måste alltid stå högre upp än maskinen, för att inte få maskinen över sig vid förlust av kontrollen över maskinen. Du ska med andra ord skjuta ned resp. dra upp maskinen över avsatser och i lutningar.

Skjut resp. dra maskinen över maximalt 2 till 3 trappsteg. Bär jordfräsen över fler trappsteg med hjälp av en annan person.

2 Lyfta eller bära jordfräsen:

- Kontrollera att styrhandtagets överdel sitter fast ordentligt.
- Var alltid minst två om att lyfta eller bära jordfräsen och se alltid till att avståndet till skären är tillräckligt.

Lyftpunkter:

Handtag (1) och bärhandtag (2)

3 Transportera jordfräsen på en lastyta:

- Transportera alltid jordfräsen **stående** – på transportstöd och skär. Vält aldrig maskinen åt sidan.
- Fäll ut transportstödet (⇒ 11.4) och montera skären (⇒ 7.7), (⇒ 7.8) så att den står stadigt.
- Säkra jordfräsen med rep resp. band på lastytan, så att den inte kan tippa.

Fästpunkter:

Axel transportstöd (3) och axel skär (4).

14. Miljöskydd



Förpackningar, maskin och tillbehör är tillverkade av återvinningsbart material och ska sluthanteras motsvarande.

Sorterad och miljövänlig sluthantering av materialrester gagnar återanvändningen av återvinningsbart avfall. Därför ska maskinen lämnas till materialinsamlingen efter att dess normala livslängd har uppnåtts.

14.1 Sluthantering

Sluthantera gammal olja (motorolja, växellådsolja) och bränsle på ett fackmannamässigt sätt.

Gör förbränningsmotorn obrukbar innan sluthantering. Ta bort tändkabeln, töm tanken och tappa av motoroljan.

Risk för personskador pga skären!

Lämna även en uttjänt jordfräs aldrig utan tillsyn. Se till att maskinen och skären förvaras utom räckhåll för barn.

15. Minimera slitage och förhindra skador

Viktiga anvisningar för underhåll och skötsel av produktgruppen

Bensindrivna jordfräsar (STIHL MH)

STIHL avsäger sig allt ansvar för sak- och personskador som har uppkommit till följd av att anvisningarna i bruksanvisningen ej har beaktats, särskilt vad gäller säkerhet, handhavande och underhåll, eller som har

orsakats av att ej godkända påbyggnadsdetaljer eller reservdelar har använts.

Beakta följande viktiga anvisningar för att förhindra skador eller överdrivet slitage på din STIHL maskin:

1. Förslitningsdelar

Många av STIHL maskinens delar är utsatta för normalt slitage även om den används i enlighet med anvisningarna och måste bytas ut i tid beroende på användningens typ och längd.

Hit hör bl.a.:

- Kilrem
- Skär
- Bromssporre

2. Följ alltid anvisningarna i denna bruksanvisning

Användning, underhåll och förvaring av STIHL maskinen måste ske omsorgsfullt, på det sätt som beskrivs i denna bruksanvisning. Användaren är själv ansvarig för alla skador som orsakas av att säkerhets-, användnings- och underhållsanvisningarna ej beaktas.

Detta gäller särskilt vid

- ej avsedd användning av produkten.
- användning av drivmedel som inte har godkänts av STIHL (smörjmedel, bensin och motorolja, se förbränningsmotorns bruksanvisning).
- förändringar på produkten som inte har godkänts av STIHL.
- användning av påbyggnadsdetaljer, tillsatsredskap eller skärverktyg som inte har godkänts av STIHL.
- användning av produkten för sport- eller tävlingsändamål.

- följskador som orsakas av att produkten har använts med defekta komponenter.

3. Underhåll

Alla arbeten som beskrivs i avsnittet "Underhåll" måste genomföras regelbundet.

Om användaren inte kan genomföra detta underhåll själv ska det utföras av en servande fackhandel.

STIHL rekommenderar att underhåll och reparationer endast utförs av en STIHL servande fackhandel.

En STIHL servande fackhandel får regelbundna erbjudanden om vidareutbildning och innehar teknisk information.

Om dessa arbeten inte utförs föreligger risk för skador som användaren är ansvarig för.

Hit räknas bl.a.:

- Korrosions- och andra följskador orsakade av felaktig förvaring
- Skador på maskinen pga att reservdelar av sämre kvalitet har använts
- Skador pga att underhåll inte genomförts inom rätt tid eller har genomförts på ett felaktigt sätt resp. pga att underhåll och reparation ej har utförts av en servande fackhandel

16. Vanliga reservdelar

Sprint (skär):
9396 021 3785

MH 445, MH 445 R

Frässats komplett inre vänster:
6241 710 0200

Frässats komplett inre höger:
6241 710 0205

Frässats komplett yttre vänster:
6241 710 0210

Frässats komplett yttre höger:
6241 710 0215

MH 560, MH 585, MH 685

Frässats komplett inre vänster:
6241 710 0220

Frässats komplett inre höger:
6241 710 0225

MH 585, MH 685

Frässats komplett yttre vänster:
6242 710 0210

Frässats komplett yttre höger:
6242 710 0215

17. EU-konformitetsdeklaration

17.1 Jordfräs STIHL MH 445.0, MH 445.0 R, MH 560.0, MH 585.0, MH 685.0

STIHL Tirol GmbH
Hans Peter Stihl-Straße 5
6336 Langkampfen
Österrike

förklarar på eget ansvar att

- Typ: jordfräs
- Fabrikat: STIHL
- Typ: MH 445.0, MH 445.0 R, MH 560.0, MH 585.0, MH 685.0
- Modellnummer: 6241

motsvarar de gällande bestämmelserna i riktlinjen 2000/14/EC, 2006/42/EC, 2014/30/EU och 2011/65/EU samt är utvecklad och tillverkad enligt följande normer, vars version var giltig vid respektive produktionsdatum: EN 709 och EN 14982 (om de kan tillämpas).

Deltagandes namn och adress:
TÜV Rheinland LGA Products GmbH
Tillystraße 2
D-90431 Nürnberg

Bestämningen av den uppmätta och garanterade ljudnivån har utförts enligt riktlinjen 2000/14/EC, bilaga VIII.

MH 445.0, MH 445.0 R

- Uppmätt ljudnivå: 92 dB(A)
- Garanterad ljudnivå: 93 dB(A)

MH 560.0, MH 585.0

- Uppmätt ljudnivå: 91,3 dB(A)
- Garanterad ljudnivå: 93 dB(A)

MH 685.0

- Uppmätt ljudnivå: 92,4 dB(A)
- Garanterad ljudnivå: 93 dB(A)

Tekniska underlag förvaras av produktgodkännandet på STIHL Tirol GmbH.

Tillverkningsår och maskinnummer finns på jordfräsen.

Langkampfen, 02.11.2020

STIHL Tirol GmbH

stf.



Matthias Fleischer, områdeschef inom forskning och utveckling

stf.



Sven Zimmermann, områdeschef inom kvalitet

18. Tekniska data

MH 445.0 / MH 445.0 R / MH 560.0 / MH 585.0 / MH 685.0

Modellnummer 6241
Förbränningsmotor, typ 4-takts förbränningsmotor

Startanordning linstart

Enligt direktiv 2000/14/EC:

Garanterad ljudnivå
 L_{WA} 93 dB(A)

MH 445.0 / MH 445.0 R

Motortyp B&S Series 550
EX OHV RS

MH 445.0 / MH 445.0 R

Cylindervolym 140 ccm
Märkeffekt vid nominellt varvtal 2,2 - 3100 kW - varv/min
Bränsletank 0,8 l
Verktyg 4 skärelement, 2 växtskyddsskivor

Diameter fränsats 30 cm
Arbetsvarvtal fränsats vid testvarvtal 124 varv/min
Testvarvtal 3100 varv/min

Enligt direktiv 2006/42/EC:

Ljudtrycksnivå på arbetsplats L_{pA} 80 dB(A)
Tolerans K_{pA} 2 dB(A)
Angivet vibrationsvärde enligt EN 12096:
Uppmätt värde a_{hw} 5,50 m/s²
Tolerans K_{hw} 2,20 m/s²
Mätning enligt EN 20643

Drivning MH 445.0 1 växel framåt
Drivning MH 445.0 R 1 växel framåt
1 växel bakåt
Vikt 36 kg/37 kg

MH 560.0/ MH 585.0

Motortyp Kohler HD675
Cylindervolym 149 ccm
Märkeffekt vid nominellt varvtal 2,3 - 3000 kW - varv/min
Bränsletank 1,4 l

Verktyg MH 560.0 2 skärelement, 2 växtskyddsskivor
Verktyg MH 585.0 4 skärelement, 2 växtskyddsskivor

Diameter fränsats 32 cm
Arbetsvarvtal fränsats vid testvarvtal 120 varv/min
Testvarvtal 3000 varv/min

MH 560.0/ MH 585.0

Enligt direktiv 2006/42/EC:

Ljudtrycksnivå på

arbetsplats L_{pA} 79 dB(A)

Tolerans K_{pA} 2 dB(A)

Angivet vibrationsvärde enligt EN 12096:

Uppmätt värde a_{hw} 5,00 m/s^2

Tolerans K_{hw} 2,50 m/s^2

Mätning enligt EN 20643

Drivning 1 växel framåt

1 växel bakåt

Vikt 41 kg/44 kg

MH 685.0

Motortyp Kohler HD775

Cylindervolym 173 ccm

Märkeffekt vid nominellt varvtal 2,9 - 3200 kW - varv/min

Bränsletank 1,4 l

Verktyg 4 skärelement, 2 växtskyddsskivor

Diameter fräs-sats 32 cm

Arbetsvarvtal fräs-sats vid testvarvtal 128 varv/min

Testvarvtal 3200 varv/min

Enligt direktiv 2006/42/EC:

Ljudtrycksnivå på

arbetsplats L_{pA} 80 dB(A)

Tolerans K_{pA} 2 dB(A)

Angivet vibrationsvärde enligt EN 12096:

Uppmätt värde a_{hw} 6,00 m/s^2

Tolerans K_{hw} 2,40 m/s^2

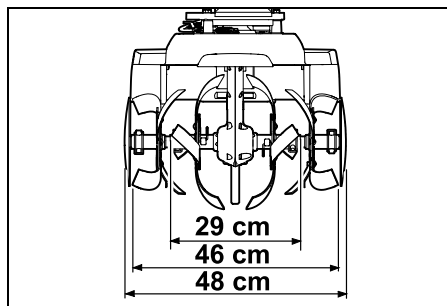
Mätning enligt EN 20643

Drivning 1 växel framåt

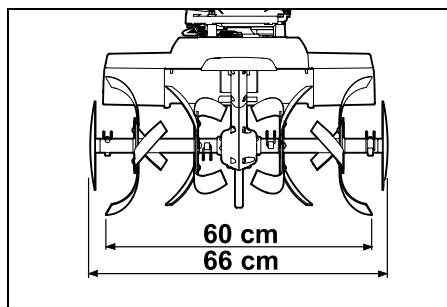
1 växel bakåt

Vikt 46 kg

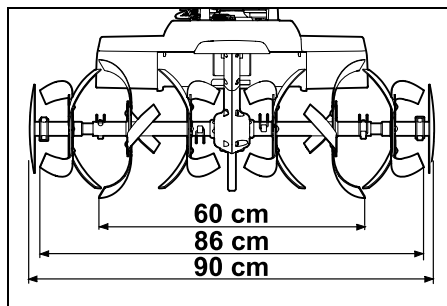
MH 445.0, MH 445.0 R:



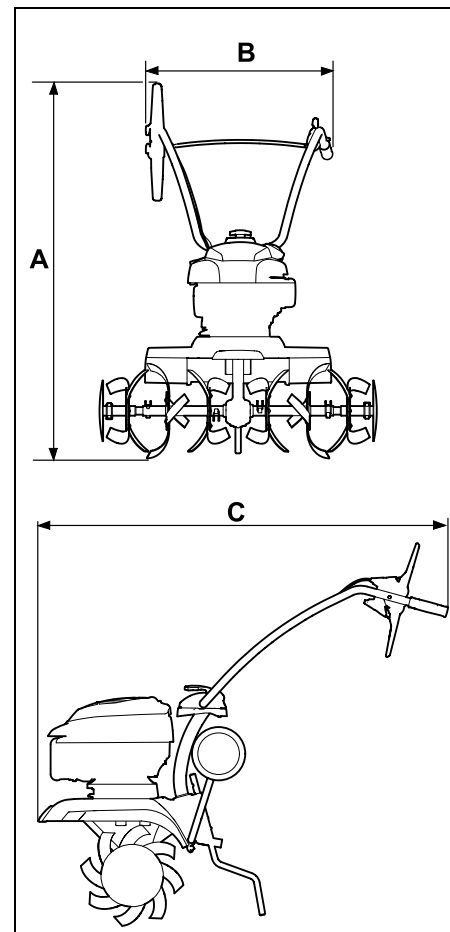
MH 560.0:



MH 585.0, MH 685.0:



MH 445.0, MH 445.0 R, MH 560.0, MH 585.0, MH 685.0:



MH 445.0, MH 445.0 R:

A = 118 cm

B = 57 cm

C = 122 cm

MH 560.0, MH 585.0, MH 685.0:

A = 119 cm

B = 57 cm

C = 122 cm

18.1 REACH

REACH är en EG-förordning för registrering, bedömning och godkännande av kemikalier.

Information om uppfyllandet av REACH-förordningen (EG) nr 1907/2006 finns på www.stihl.com/reach.

19. Felsökning

✂ kontakta ev. en servande fackhandel, STIHL rekommenderar en STIHL servande fackhandel.

📖 Se förbränningsmotorns bruksanvisning.

Störning:

Förbränningsmotorn startar inte

Möjlig orsak:

- Gasreglaget i stopposition
- Inget bränsle i tanken, bränsleledningen igensatt
- Dåligt, smutsigt eller gammalt bränsle i tanken
- Tändstiftskontakten har dragits bort från tändstiftet, tändkabeln sitter dåligt på kontakten
- Tändstiftet sotigt eller skadat, fel elektrodavstånd
- Luftfiltret smutsigt
- Förbränningsmotorn är "sur" pga flera startförsök

Åtgärd:

- Ställ gasreglaget i startposition (⇒ 8.1)
- Fyll på bränsle (⇒ 7.15), rengör bränsleledningarna (✂)
- Använd alltid färskt bränsle (blyfri bensin) av känt märke (⇒ 7.15), rengör förgasaren (✂)

- Fäst tändstiftskontakten (📖), kontrollera anslutningen mellan tändkabeln och kontakten (✂)
- Rengör/byt ut tändstiftet (📖), (✂), ställ in elektrodavståndet (✂)
- Rengör/byt ut luftfiltret (✂)
- Skruva loss och torka tändstiftet, flytta gasreglaget till stopposition och dra flera gånger i startlinan med losskruvat tändstift (📖)

Störning:

Svårstartad eller förbränningsmotorns effekt för svag

Möjlig orsak:

- Vatten i bränsletank och förgasare, förgasaren igensatt
- Bränsletanken är smutsig
- Luftfiltret är smutsigt
- Tändstiftet sotigt

Åtgärd:

- Töm bränsletanken, rengör bränsleledningen och förgasaren (✂)
- Rengör bränsletanken (✂)
- Rengör/byt ut luftfiltret (📖), (✂)
- Rengör/byt ut tändstiftet (📖), (✂)

Störning:

Förbränningsmotorn blir mycket varm

Möjlig orsak:

- Kylflänsarna är smutsiga
- För låg oljenivå i förbränningsmotorn
- Förbränningsmotorns yta täcks av jord

Åtgärd:

- Rengör kylflänsarna (⇒ 12.2)
- Fyll på motorolja (⇒ 7.15)
- Ta bort jord från förbränningsmotorn

Störning:

Förbränningsmotorn går ojämnt

Möjlig orsak:

- Luftfiltret är smutsigt

Åtgärd:

- Rengör/byt ut luftfiltret (📖), (✂)

Störning:

Kraftig rökutveckling

Möjlig orsak:

- För hög oljenivå
- Luftfiltret är smutsigt

Åtgärd:

- Anpassa oljepåfyllningsmängden (📖)
- Rengör/byt ut luftfiltret (📖), (✂)

Störning:

Kraftig vibration under drift

Möjlig orsak:

- Motorfästet löst

Åtgärd:

- Dra åt motorfästets skruvar (✂)

Störning:

Försämrad arbetseffekt

Möjlig orsak:

- Skären felmonterade
- Skären utslitna
- Bromssporren feljusterad

Åtgärd:

- Montera skären rätt (⇒ 7.7), (⇒ 7.8)
- Byt ut skären (✂)
- Justera bromssporren (⇒ 11.5)

Störning:

Ingen arbetseffekt

Möjlig orsak:

- Sprinten på drivaxeln saknas

Åtgärd:

- Kontrollera skärens fastsättning på drivaxeln (⇒ 7.7), (⇒ 7.8)
-

Störning:

Högt ljud från växellådan

Möjlig orsak:

- Fel oljenivå i växellådan

Åtgärd:

- Kontrollera oljenivån i växellådan (✘)
-

Störning:

Drivaxeln roterar inte vid aktiverad drivspak

Möjlig orsak:

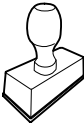
- Wiren defekt
- Drivremmen utsliten

Åtgärd:

- Kontrollera resp. byt wiren (✘)
 - Byt remmen (✘)
-

20. Serviceschema

20.1 Överlämningsbekräftelse

Modell:	_____
Serienummer:	<input type="text"/> <input type="text"/> <input type="text"/> <input type="text"/> <input type="text"/> <input type="text"/> <input type="text"/> <input type="text"/>
Datum:	<input type="text"/> <input type="text"/> <input type="text"/> <input type="text"/> <input type="text"/> <input type="text"/>
	
Nästa service	
Datum:	<input type="text"/> <input type="text"/> <input type="text"/> <input type="text"/> <input type="text"/> <input type="text"/>

20.2 Servicebekräftelse



Överlämna denna bruksanvisning till din STIHL servande fackhandel vid underhåll.

Denna bekräftar i de förtrycktafälten att servicearbetena har genomförts.

Service utförd den

Datum för nästa service

Arvoisa asiakas,

kiitämme sinua STIHLin tuotteen valinnasta! STIHL kehittää ja valmistaa huippuluokan tuotteita pitäen suunnittelun lähtökohtana asiakkaidensa tarpeita. Näin pystymme tarjoamaan asiakkaillemme tuotteita, jotka toimivat luotettavasti myös äärimmäisen vaativissa olosuhteissa.

STIHL tunnetaan myös erinomaisesta asiakaspalvelustaan. Jälleenmyyjämme huolehtivat sekä asiantuntevasta neuvonnasta ja opastuksesta että kattavien teknisten palvelujen tarjoamisesta.

Kiitämme sinua STIHLiä kohtaan osoittamastasi luottamuksesta. Toivomme, että olet tyytyväinen hankkimaasi STIHL-tuotteeseen.



Tri Nikolas Stihl

TÄRKEÄÄ! LUE OPAS ENNEN KÄYTTÖÄ JA SÄILYÄ SE VASTAISTA KÄYTTÖÄ VARTEN.

1. Sisällysluettelo

Tätä käyttöopasta koskevia tietoja	96
Yleistä	96
Käyttöoppaan lukuohjeet	96
Laitekuvaus	97
Turvallisuutesi vuoksi	97
Yleistä	97
Tankkaaminen – bensiinin käsittely	98
Vaatetus ja varusteet	98
Laitteen kuljetus	99
Ennen työskentelyä	99
Työskentelyn aikana	100
Huolto ja korjaukset	101
Pitkäaikaissäilytys	102
Hävittäminen	103
Kuvasymbolien selitykset	103
Toimitussisältö	103
Laitteen valmistelu käyttöä varten	104
Asennusohjeet	104
Alustan kiinnitys	104
Jarrukannuksen kiinnitys	104
Työntöaisan kiinnitys	104
Työntöaisan kääntäminen auki	105
Suojalistojen kiinnitys	105
Jyrsinterien asennus MH 445, MH 445 R	105
Jyrsinterien asennus MH 445, MH 585, MH 685	106
Kasvien suojalevyn kiinnitys	106
Vedonkytkentävivun asennus	106
Käyttövaijerin sijoittaminen	107
Käyttövaijerin kiinnitys	107
Kaasuvaijerin sijoitus ja kiinnitys	107
Vaijereiden kiinnitys työntöaisaan	107
Polttoaine ja moottoriöljy	107

Hallintalaitteet	108
Kaasuvipu	108
Vedonkytkentävipu	108
Turvalllaitteet	108
Vedonkytkentävivun lukitus	108
Suojalaitteet	109
Työskentelyohjeita	109
Käyttäjän työskentelyalue	109
Laitteen työasento	109
Jyrsinteräyhdistelmät	109
Ihanteellinen työskentelyasento	109
Laitteen käyttöönotto	109
Valmistelut	109
Työntöaisan yläosan korkeussäätö	109
Työntöaisan sivuttaissäätö	110
Kuljetusalustan kääntäminen auki ja kiinni	110
Jarrukannuksen säätö	110
Polttomootorin käynnistäminen	110
Polttomootorin pysäyttäminen	110
Vedon (eteenpäin) kytkentä ja katkaisu	110
Vedon (taaksepäin) kytkentä ja katkaisu (MH 445 R, MH 560, MH 585, MH 685)	111
Jyrsintä	111
Huolto	111
Jyrsinterien irrotus	111
Laitteen puhdistus	111
Polttomootori	112
Huoltovälit	112
Varastointi ja pitkäaikaissäilytys (talvisäilytys)	112
Kuljetus	113
Jyrsimen kuljetus	113
Ympäristönsuojelu	113
Hävittäminen	113

Kulumisen minimointi ja vaurioiden ehkäisy	114
Varaosat	114
EU-vaatimusten mukaisuusvakuutus	115
Jyrsin STIHL MH 445.0, MH 445.0 R, MH 560.0, MH 585.0, MH 685.0	115
Tekniset tiedot	115
REACH	117
Vianetsintä	117
Huolto-ohjelma	118
Luovutustodistus	118
Huoltotodistus	118

2. Tätä käyttöopasta koskevia tietoja

2.1 Yleistä

Tämä käyttöopas on EY-direktiivin 2006/42/EC mukainen valmistajan **alkuperäiskäyttöopas**.

STIHL pyrkii jatkuvasti kehittämään tuotevalikoimaansa ja siksi pidätämme oikeuden toimitussisällön muotoa, tekniikkaa ja varustusta koskeviin muutoksiin.

Tämän vuoksi tässä käyttöoppaassa julkaistujen tietojen ja kuvien pohjalta ei voi esittää mitään vaateita.

Näissä käyttöohjeissa on mahdollisesti kuvattu malleja, joita ei ole saatavilla kaikissa maissa.

Tämä käyttöopas on tekijänoikeudellisesti suojattu. Kaikki oikeudet pidätetään, mukaan lukien oikeus monistamiseen, kääntämiseen ja käsittelyyn sähköisissä järjestelmissä.

2.2 Käyttöoppaan lukuohjeet

Laitteen käsittelyvaiheet on selostettu kuvien ja tekstien avulla.

Kaikki laitteeseen kiinnitetyt kuvasymbolit on selitetty tässä käyttöoppaassa.

Katselusuunta:

Katselusuunta, kun käyttöoppaassa lukee "**vasen**" ja "**oikea**":

Käyttäjä seisoo koneen takana ja katsoo ajosuuntaan.

Kappaleviite:

Viittaukset lisätietoja sisältäviin kappaleisiin on merkitty nuolella. Alla on esimerkki viittauksesta kappaleeseen: (⇒ 4.)

Tekstikohtien merkintä:

Erilaiset tekstikohdat on erotettu toisistaan merkitsemällä ne erilaisin luettelomerkein seuraavissa esimerkeissä kuvatulla tavalla.

Käsittelyvaiheet, jotka vaativat käyttäjän toimia:

- Avaa ruuvitaltalla ruuvi (1) ja kytke vipu (2) ...

Yleiset luettelot:

- tuotteen käyttö urheilutapahtumissa tai kilpailuissa

Varoituksia tai lisäohjeita sisältävät tekstit:

Varoituksia tai lisäohjeita sisältävät tekstit on merkitty seuraavassa kuvatuilla symboleilla, jotta ne erottuvat selkeästi muista ohjeista:



Vaara!

Onnettomuusvaara, josta voi aiheutua vakavia henkilövahinkoja. Laitteen käytössä on ehdottomasti noudatettava tai vältettävä tiettyjä toimenpiteitä.



Varoitus!

Henkilövahinkojen vaara. Laitteen käytössä on noudatettava kyseessä olevan kohdan ohjeita henkilövahinkojen välttämiseksi.



Varo!

Pienten vammojen ja esinevahinkojen vaara, joka voidaan välttää ohjeita noudattamalla.



Ohje

Tietoja laitteen oikeasta käytötavasta ja virheellisen käytön välttämisestä.

Tekstit, joissa on kuvaviittauksia:

Laitteen käyttöä havainnollistavat kuvat ovat käyttöoppaan alussa.

Kamerasymboli toimii linkkinä kuvasivuilla olevien kuvien ja niitä vastaavien tekstikohtien välillä.



3. Laitekuvaus



- 1 Vedonkytkentävipu (eteenpäin)
- 2 Työntöaisan yläosa
- 3 Kiristysvipu
- 4 Käynnistysnaru
- 5 Polttomoottori
- 6 Sytytystulpan pistoke
- 7 Suojalista
- 8 Kasvien suojalevy
- 9 Jyrsinterät
- 10 Kantokahva
- 11 Suojalista
- 12 Kuljetusalusta
- 13 Jarrukannus
- 14 Avausvipu (kuljetusalusta)
- 15 Avauspultti (jarrukannus)
- 16 Kädensija
- 17 Kaasuvipu
- 18 MH 445 R, MH 560, MH 585, MH 685: Vedonkytkentävipu (taaksepäin)
- 19 Tyypikilpi, jossa konenumero

4. Turvallisuutesi vuoksi

4.1 Yleistä



Laitteella työskennellessä on ehdottomasti noudatettava näitä turvamääräyksiä.



Lue käyttöohjeet kokonaisuudessaan läpi huolellisesti ennen ensimmäistä käyttöönottoa. Säilytä ohjeet hyvässä tallessa myöhempää käyttöä varten.

Noudata käyttö- ja huolto-ohjeita, jotka on annettu erillisissä polttomoottorin käyttöohjeissa.

Nämä varotoimenpiteet ovat välttämättömiä oman turvallisuutesi takia, mutta luettelo ei ole täydellinen. Käytä laitetta järkevasti ja vastuullisesti ja muista, että laitteen käyttäjä on vastuussa sivullisille tai heidän omaisuudelleen aiheutetuista vahingoista.

Perehdy laitteen hallintalaitteisiin, säätötoimintoihin ja käyttöön. Käyttäjän täytyy tietää, miten laitteen teräosat ja polttomoottori saadaan pysäytettyä nopeasti.

Laitteen käyttö on sallittu vain henkilöille, jotka ovat perehtyneet käyttöohjeisiin ja laitteen käsittelyyn. Ennen ensimmäistä käyttöönottoa käyttäjän tulee perehtyä laitteen käyttöön asianmukaisesti ja käytännössä. Anna myyjän tai asiantuntijan opastaa käyttämään laitetta turvallisesti.

Opastuksessa käyttäjälle tulee kertoa ennen kaikkea, että laitteella työskennellessä vaaditaan äärimmäistä huolellisuutta ja keskittymistä.

Vaikka tätä laitetta käytetään ohjeenmukaisesti, jäännösriskejä on silti olemassa.



Tukehtumisvaara!

Pakkausmateriaalilla leikkiminen aiheuttaa lapsille tukehtumisvaaran. Pidä pakkausmateriaali ehdottomasti poissa lasten ulottuvilta.

Anna vain sellaisten henkilöiden käyttää tai lainata laitetta ja sen oheislaitteita, jotka osaavat varmasti käyttää kyseistä mallia ja ovat tottuneet sen käsittelyyn. Käyttöohjeet ovat osa laitetta ja ne täytyy aina antaa mukana.

Älä käytä laitetta väsyneenä tai sairaana. Mikäli et ole terve, kysy lääkäriltäsi, voitko käyttää laitetta. Laitteen käyttö on kiellettyä, jos olet nauttinut alkoholia, reaktiokykyä rajoittavia lääkkeitä tai huumaavia aineita.

Varmista, että käyttäjä on fyysisesti, aistimellisesti ja henkisesti kykenevä käyttämään laitetta ja työskentelemään sillä. Ellei käyttäjä ole fyysisesti, aistimellisesti tai henkisesti täysin kykenevä, hän saa työskennellä ruohonleikkurilla vain vastuuhenkilön valvonnassa tai tämän antamien ohjeiden mukaan.

Varmista, että käyttäjä on täysi-ikäinen tai kansallisten määräysten mukaisessa valvotussa ammattikoulutuksessa.

Huomio – onnettomuusvaara!

Jyrsin on tarkoitettu vain kylvö- ja viljelymaan muokkaamiseen ja kasvien hoitoon. Sitä saa käyttää vain tässä käyttöoppaassa kuvatulla tavalla – ei muihin käyttötarkoituksiin! Muunlainen käyttö on kielletty ja voi olla vaarallista. Seurauksena voi olla laitevaurioita.

Käyttäjän loukkaantumista varten takia jyrsintä ei saa käyttää seuraaviin töihin (luettelo ei ole täydellinen):

- kasvuvalustojen muokkaamiseen katoilla tai parvekkeilla
- puiden ja pensaiden leikkuujätteiden silppuamiseen tai hakettamiseen.

Laitteella ei saa kuljettaa esineitä, eläimiä tai henkilöitä, ei varsinkaan lapsia.

Turvallisuussyistä kaikenlainen laitteen muuttaminen on kielletty ja johtaa takuun raukeamiseen. Poikkeuksena tähän on STIHLin hyväksymien lisävarusteiden asianmukainen asennus. Lisätietoja hyväksytyistä lisälaitteista saat STIHL-jälleenmyyjiltä.

Etenkin kaikki laitteen poltto- tai sähkömoottorin tehon tai kierrosluukuun tehtävät muutokset ovat kiellettyjä.

Käyttö julkisissa paikoissa, puistoissa, urheilukentillä, kadunvarsilla ja maa- ja metsätalousyrityksissä edellyttää erityistä varovaisuutta.



Huomio! Tärinä voi aiheuttaa terveyshaittoja! Liiallinen tärinärasitus voi aiheuttaa verenkierto- tai hermovaurioita,

etenkin verenkiertohäiriöistä kärsiville henkilöille. Käänny lääkärin puoleen, jos saat oireita, joiden syynä saattaa olla tärinä.

Tällaisia oireita, jotka esiintyvät useimmiten sormissa, käsissä tai käden nivelissä, ovat seuraavat (luettelo ei ole täydellinen):

- tunnottomuus
- kivut
- lihasheikkous
- ihon värimuutokset
- epämiellyttävä kutina.

Pidä työskentelyn aikana molemmin käsin kiinni työntöaisan siihen tarkoitetuista kohdista pitävästi mutta liikaa puristamatta.

Suunnittele työskentelyajat siten, ettet altistu voimakkaalle tärinälle pitkää aikaa kerrallaan.

Pidä jyrshintä käyttäessäsi taukoja ja vältä pitkäaikaista työskentelyä laitteella, koska pitkään kestävä tärinä vahingoittaa terveyttä.

4.2 Tankkaaminen – bensiinin käsittely



Hengenvaara!

Bensiini on myrkyllistä ja erittäin herkästi syttyvää.

Säilytä bensiiniä vain tarkoitukseen sopivissa säiliöissä (kanistereissa). Sulje ja kiristä polttoainesäiliön korkit kunnolla. Vaurioitunut polttoainesäiliön korkki on turvallisuussyistä vaihdettava uuteen.

Älä käytä juomapulloja tai vastaavia poltto- ja voiteluaineiden hävittämiseen tai säilyttämiseen. Sivulliset, erityisesti lapset, voivat vahingossa juoda niistä.



Säilytä ja käytä bensiiniä kaukana kipinöistä, avotulesta, lämpölähteistä ja muista sytytyslähteistä. Älä tupakoi!

Tankkaa vain ulkona äläkä tupakoi tankkauksen aikana.

Pysäytä polttomoottori ja anna sen jäähtyä ennen tankkausta.

Täytä bensiini ennen polttomoottorin käynnistämistä. Polttomoottorin käydessä tai koneen ollessa kuuma polttoainesäiliön kantta ei saa avata eikä bensiiniä lisätä.

Älä täytä polttoainesäiliötä liian täyteen!

Älä koskaan täytä polttoainesäiliötä täyttöputken alareunan yläpuolelle, jotta polttoaineelle jää tilaa laajentua. Noudata lisäksi polttomoottorin käyttöohjeita.



Jos bensiiniä on läikkynyt yli, käynnistä polttomoottori vasta, kun olet pyyhkinyt bensiinin tahrimat kohdat puhtaaksi. Älä kytke sytytystä, ennen kuin bensiinihöyryt ovat haihtuneet (pyyhi kuivaksi).

Pyyhi läikkynyt polttoaine heti pois.

Jos bensiiniä on joutunut vaatteille, ne tulee vaihtaa.

Älä säilytä laitetta sisätiloissa, jos säiliössä on vielä bensiiniä. Höyrystyvä bensiini voi päästä kosketuksiin avotulen tai kipinöiden kanssa ja syttyä palamaan.

Jos polttoainesäiliö on tyhjennettävä, se on tehtävä ulkona.

4.3 Vaatetus ja varusteet



Käytä aina työn aikana tukevia ja pitäväpohjaisia jalkineita. Älä työskentele paljain jaloin tai sandaalit jalassa.



Käytä tukevia käsineitä ja pidä pitkät hiukset kiinni esimerkiksi hiusverkolla tai päähineellä huolto- ja puhdistustöissä ja laitetta kuljetettaessa.



Käytä tarkoituksenmukaisia, ei löysiä vaatteita kun työskentelet laitteella. Esim. työpuku, ei pitkää työtakkia. Älä pidä kaulaliinaa, solmiota, koruja, riippuvia nauhoja tai muita ulkonevia vaatekappaleita laitteen käytön aikana.

Hiukset, vaatteet tai niiden osat voivat osua tai tarttua pyöriviin osiin. Se voi aiheuttaa vakavia vammoja.

4.4 Laitteen kuljetus

Työskentele aina käsineitä käyttäen, jotta laitteen teräväreunaiset ja kuumat osat eivät aiheuta vammoja.

Älä siirrä laitetta polttomoottorin ollessa käynnissä. Pysäytä polttomoottori, odota, kunnes teräosat ovat pysähtyneet ja vedä syytystulpan pistoke irti ennen kuljetusta.

Kuljeta laitetta vasta polttomoottorin jäähtynyttä ja ilman polttoainetta.

Noudata kappaleessa "Kuljetus" olevia ohjeita. Siellä on kuvattu laitteen nostaminen ja sitominen. (⇒ 13.)

Kanna laitetta aina apurin kanssa ja huomioi kannatinkohdat.

Käytä sopivia apuvälineitä lastaamiseen (lastausramppeja, nostolaitteita).

Turvallisuussyistä 15°:n kulmaa ei saa ylittää kuljetuksen ja lastaamisen aikana varsinkaan lastausramppeja käytettäessä.

Varmista laite ja mukana kuljetettavat laitteen osat kuljetusalustalle riittävän vahvoilla kiinnitysvälineillä (esimerkiksi hihnoilla ja vajereilla). Älä missään tapauksessa kuljeta laitetta kiinnittämättä.

STIHL suosittelee kuljettamaan jyrsimen sopivassa perävaunussa tai sopivalla kuljetusalustalla, ei auton sisätilassa (esimerkiksi tavaratilassa).

Noudata alueellisia määräyksiä laitetta kuljetettaessa, ennen kaikkea niitä, jotka koskevat kuorman turvallisuutta ja esineiden kuljettamista lavoilla.

4.5 Ennen työskentelyä

Varmista, että laitetta käyttävät vain henkilöt, jotka ovat tutustuneet käyttöohjeisiin.

Ennen laitteen käyttöönottoa tarkista polttoainejärjestelmän, etenkin säiliön, säiliön korkin, letkuliitosten ja muiden näkyvien osien tiiviys. Jos havaitset puutteita tiiviudessa tai muita vaurioita, älä käynnistä polttomoottoria – **palovaara!** Anna ammattiliikkeen korjata laite ennen käyttöönottoa.

Noudata polttomoottorilla varustettujen puutarhalaitteiden käyttöaikoja koskevia yleisiä järjestyssääntöjä.

Tarkasta koko alue, jolla laitetta käytetään, ja poista kaikki suuret kivet, kepit, rautalangat, luut ja muut esineet, jotka laite voi singota ympäriinsä.

Maassa näkymättömissä olevat esineet (esimerkiksi kastelulaitteet, pilarit, vesiventtiilit, perustukset ja sähköjohdot) pitää merkitä selvästi ennen laitteella tehtäviä töitä ja kiertää. Älä koskaan aja tällaisten esineiden päältä.

Vikaantuneet, kuluneet ja vahingoittuneet osat on vaihdettava ennen laitteen käyttöä. Jos laitteessa olevat varoitustarrat ja turvaohjeet ovat kuluneet epäselviksi tai muuten vahingoittuneet, vaihda niiden tilalle uudet. Uusia tarroja ja muita varaosia on saatavana STIHL-ammattiliikkeestä.

Tarkista syytystulpan pistokkeen pitävä ja varma kiinnitys ennen laitteen käyttöä.

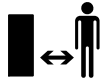
Laitetta saa käyttää vain sen ollessa käyttövarma. Tarkasta seuraavat seikat ennen jokaista käyttökertaa:

- Koko laite on ohjeenmukaisesti asennettu.
 - Turvalaitteet (esimerkiksi vedonkytkentävipu, suojalistat, suojakopat, suojakannet, työntöaisa ja suoja-äleikkö) ovat moitteettomassa kunnossa ja toimivat ohjeenmukaisesti. Älä käytä laitetta, jos turvalaitteet ovat puutteelliset, vahingoittuneet tai kuluneet.
 - Teräosat (jyrsinterät), kiinnitysruuvit ja sokat ovat paikoillaan eivätkä ne ole kuluneet tai vaurioituneet (uria tai halkeamia). Kuluneet tai vialliset osat on vaihdettava.
 - Teräosat (jyrsinterät) on asennettu varmasti ja pitävästi.
 - Vedonkytkentävivut toimivat herkästi.
 - Polttoainesäiliön korkki on kierretty ohjeenmukaisesti kiinni.
 - Polttoainesäiliö, sen korkki ja polttoainejärjestelmän osat ovat moitteettomassa kunnossa.
 - Öljytulppa on kierretty ohjeenmukaisesti kiinni.
 - Käytettävät lisävarusteet on asennettu laitteeseen kokonaisuudessaan ja ohjeenmukaisesti. Kaikki lisävarusteen mukana toimitetut osat on asennettu.
- Suorita kaikki tarvittavat työt tai käänny ammattiliikkeen puoleen. STIHL suosittelee STIHL-ammattiliikettä.
- Vasemmalla ja oikealla olevat suojalistat on sovitettu työlevydelle, ja niiden tulee olla aina ohjeenmukaisesti kiinnitettynä. Jos mallien MH 445 ja MH 445 R työlevyettä suurennetaan lisävarusteena saatavilla jyrsinterillä (STIHLin lisävaruste), on kiinnitettävä myös toimitukseen sisältyvät suuret suojalistat.

Työnnä tai vedä laite kuljetuspyörillään muokattavalle alueelle.

Poista kaikki laitteen päällä olevat esineet (esimerkiksi työkalut ja pyyhkeet) ennen käyttöönottoa.

4.6 Työskentelyn aikana



Pidä sivulliset poissa vaara-alueelta! Älä työskentele milloinkaan, kun lähistöllä on muita ihmisiä, etenkin lapsia, tai eläimiä.

Huomio! – Töiden aikana maata, kiviä ja muuta ainesta sinkoutuu ylös tai sivuille.

Laitetta saa käyttää vain yksi henkilö. Polttomoottorin käydessä käyttäjän on seistävä työskentelyalueella. (⇒ 10.1)

Käytön aikana laitetta ei saa nostaa, työntää tai vetää kuljetuskahvasta, suojalevystä tai muista laitteen osista kuin työntöaisan kahvoista. Varsinkaan toinen henkilö ei saa tehdä näin.

Laitteeseen asennettuja kytkentä- ja turvalaitteita ei saa poistaa tai ohittaa. Älä etenkään kiinnitä vedonkytkentävipua työntöaisan yläosaan (esimerkiksi sitomalla).



Huomio – loukkaantumisvaara!

Älä vie käsiä tai jalkoja pyörievien osien lähelle! Pidä laitteeseen aina työntöaisan etäisyyden mukainen turvaväli. Turvaväli vastaa ohjeenmukaisesti kiinnitetyn ja aukikäännetyn työntöaisan pituutta. Älä muuta työntöaisaa äläkä koskaan ota laitetta käyttöön niin, että työntöaisa on taitettu.

Älä koskaan kiinnitä mitään työntöaisaan (esimerkiksi työvaatteita).

Työskentele vain päivänvalossa tai hyvässä keinovalaistuksessa.

Älä työskentele laitteella sateessa tai ukkosella, kun vaarana on salamanisku.

Kosteaa alustaa lisää onnettomuusriskiä (käyttäjä ei saa tukevaa asentoa).

Työskentele erityisen varovasti, jotta vältät liukastumisen. Mikäli mahdollista, laitetta ei pidä käyttää kostealla alustalla.

Älä käynnistä laitetta jyrksinterät kiinnitettyinä esimerkiksi asfaltilla tai laatoituksilla.

Käytä laitetta erityisen varovasti, kun olet rinteiden, notkojen, ojien tai patojen läheisyydessä. Pysy riittävän etäällä tällaisista vaaratekijöistä.

Pakokaasut:



Myrkylliset kaasut aiheuttavat hengenvaaran!

Keskeytä työskentely välittömästi, jos sinulla on pahoinvointia, päänsärkyä, näköhäiriöitä (esim. kaventunut näkökenttä), kuulohäiriöitä tai huimausta tai jos keskittymiskykysi heikkenee. Nämä voivat olla merkkejä siitä, että elimistöön on joutunut pakokaasuja hengityksen mukana.



Laitte tuottaa myrkyllisiä pakokaasuja heti polttomoottorin käynnistämisen jälkeen. Nämä kaasut sisältävät haitallisia aineita, erityisesti häkää, joka on väritön ja hajuton myrkyllinen kaasu. Älä käytä polttomoottoria suljetuissa tai huonosti tuuletetuissa tiloissa.

Huomioi pakoputkesta poistuvien pakokaasujen suunta. Älä koskaan suuntaa pakoputkea henkilöitä kohti.

Käynnistys:

Käynnistä laite varovasti, kohdan "Laitteen käyttöönotto" (⇒ 11.) ohjeiden mukaisesti. Laitteen käynnistäminen näiden ohjeiden mukaisesti pienentää loukkaantumisvaaraa.

Loukkaantumisvaara!

Kun käynnistysnaru palautuu nopeasti, se saattaa vetää käden niin nopeasti polttomoottoria kohti, ettei käynnistysnarusta ehdi päästää irti. Tämä takapotku voi aiheuttaa luunmurtumia, puristumisvammoja ja venähdyksiä.

Pidä jalat riittävän etäällä teristä.

Laitetta ei saa kallistaa moottoria käynnistettäessä.

Vedonkytkentävipuja ei saa käyttää käynnistettäessä.

Työskentely rinteissä:

Työskentele rinteissä aina poikittain, älä pitkittäin.

Käyttäjä ei saa koskaan seistä rinteessä käynnissä olevan laitteen alapuolella. Jos hän menettää laitteen hallinnan, se saattaa muuten vieriä hänen päälleen.

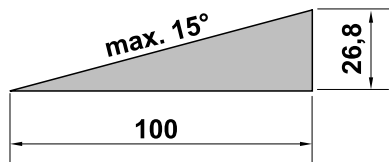
Ole erityisen varovainen, kun vaihdat ajosuuntaa rinteessä.

Ota tukeva asento rinteissä ja vältä työskentelyä laitteen kanssa liian jyrkissä rinteissä.

Laitte voi kaatua rinteissä.

Turvallisuussyistä laitetta ei saa käyttää rinteissä, joiden kaltevuus on yli 15°

(26,8 %). **Loukkaantumisvaara!**
Rinteen 15°:n kaltevuus vastaa 26,8 cm:n nousua vaakapinnasta 100 cm:n matkalla.



Kun laitetta käytetään rinteissä, polttomootorin riittävän tehokkaan voitelun varmistamiseksi on noudatettava lisäksi mukana toimitetun polttomootorin käyttöohjeiden neuvoja.

Työskentely:



Loukkaantumisvaara!

Älä työnnä käsiä tai jalkoja pyörivien osien päälle tai alle tai muuten niiden läheisyyteen.

Käytä laitetta turvallisuussyistä aina molemmin käsin. Molemmat kädet on pidettävä työntöaisan kahvoissa käytön aikana. Älä koskaan työskentele yhdellä kädellä.

Säädi työsyvyyttä ainoastaan jarrukannusta painamalla.

Käytä laitetta erityisen varovasti vaikeasti muokattavassa (esimerkiksi kivisessä ja kovassa) maassa – terien pyörimisnopeutta tulee alentaa (kaasunsäätö).

Kuljeta laitetta vain kävelyvauhtia, ei missään tapauksessa juosten. Laitteen nopea kuljettaminen lisää loukkaantumisvaaraa esimerkiksi kompastumisen tai liukastumisen takia.

Huomio – loukkaantumisvaara!

Ole varovainen ja muista etenkin riittävä etäisyys teräosien (jyrsinterien) ja jalkojen välillä, kun käännät laitteen, vedät sitä

lähemmäs tai käytät peruutusvaihdetta.

Huomio – kompastumisvaara!

Varo takanasi olevia esteitä peruuttaessasi laitteella.

Jos laite juuttuu maahan, pysäytä polttomoottori ja vedä sytytystulpan pistoke irti. Nosta ja irrota laite maasta toisen henkilön kanssa.

Sammuta polttomoottori

- jos konetta on kallistettava kuljetusta varten.
- ennen kuin työnnät tai vedät koneen muokattavalle alueelle tai muokattavalta alueelta.
- ennen kuin poistut laitteen luota tai kun laite jätetään ilman valvontaa.
- ennen tankkaamista. Lisää polttoainetta vain jäähtyneeseen polttomoottoriin. **Palovaara!**
- ennen kuin työnnät tai vedät koneen alueelle, jota ei muokata.

Sammuta polttomoottori ja vedä sytytystulpan pistoke irti

- ennen tukosten irrottamista.
- ennen kuin nostat tai kannat laitetta.
- ennen kuin kuljetat laitetta.
- ennen kuin laite tarkastetaan tai puhdistetaan tai sille tehdään muita töitä (esimerkiksi säädetään työntöaisaa tai avataan kuljetusalusta).
- jos laite osuu vieraaseen esineeseen tai se tarvitsee tavallista voimakkaammin. Tarkasta tällaisessa tilanteessa koneen vauriot, varsinkin teräosat (jyrsinterät ja niiden kiinnitys sekä käyttöakseli), ja tee tarvittavat korjaukset, ennen kuin käynnistät laitteen uudelleen ja aloitat työt.



Loukkaantumisvaara!

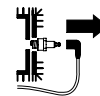
Voimakas värinä on yleensä merkki häiriöstä.

Jyrsintä ei saa ottaa käyttöön varsinkaan silloin, jos käyttöakseli on vaurioitunut tai vääntynyt tai teräosat ovat vaurioituneet. Teetä tarvittavat korjaukset ammattilaisella, jos sinulla ei ole tarvittavia tietoja. STIHL suosittelee STIHL-ammattiliikettä.

4.7 Huolto ja korjaukset

Ennen puhdistus-, säätö-, korjaus- ja huoltotöitä:

- Sijoita laite tukevalle ja tasaiselle alustalle.
- Pysäytä polttomoottori ja anna sen jäähtyä.
- Vedä sytytystulpan pistoke irti.



Huomio – loukkaantumisvaara!

Pidä sytytystulpan pistoke etäällä sytytystulpasta, sillä tahaton sytytyskipinä voi aiheuttaa tulipalon tai sähköiskun. Jos sytytystulppa pääsee tahattomasti koskettamaan sytytystulpan pistoketta, polttomoottori saattaa vahingossa käynnistyä.

Käännä laite taaksepäin ennen huolto- tai puhdistustöiden aloittamista. Laitetta ei saa koskaan asettaa sivulleen tai eteenpäin maahan, koska tästä voi aiheutua polttomoottorivaurioita tai muita laitevaurioita, joiden korjaus tulee kalliiksi.

Anna laitteen jäähtyä ennen vaihteiston, polttomoottorin, pakosarjan ja äänenvaimentimen huoltotöiden aloittamista. Osien lämpötila voi ylittää 80 °C. **Palovamman vaara!**

Suora kosketus moottoriöljyyn voi olla vaarallinen. Lisäksi moottoriöljyä ei saa läikyttää.

STIHL suosittelee, että moottoriöljyä lisätään tai vaihdetaan STIHLin ammattiliikkeessä.

Tarkasta koko laitteen kuluneisuus ja vauriot säännöllisesti, etenkin ennen laitteen pitempiä aikaista varastointia (talvisäilytystä). Vaihda kuluneet tai vialliset osat turvallisuussyistä välittömästi, jotta laite on aina käyttöturvallinen.

Puhdistus:

Puhdista koko laite huolellisesti töiden jälkeen. (⇒ 12.2)

Irrota runkoon tarttuneet jäänteet puutikulla. Puhdista laitteen alapuoli harjalla ja vedellä.

Älä käytä syövyttäviä puhdistusaineita. Tällaiset puhdistusaineet voivat vioittaa muoveja ja metalleja ja heikentää siten STIHL-laitteesi turvallista toimintaa.

Laitteen alapuolen (kaikki suojalevyn alla olevat osat) saa puhdistaa painepesurilla. Pidä vähintään metrin etäisyys äläkä suuntaa vesisuihkua suoraan laakerikohtiin tai tiivisteisiin, älä varsinkaan vaihteistokotelon ja suojalevyn väliseen tiivisteeseen.

Pidä palovaaran välttämiseksi jäähdytysaukkojen, jäähdytysripojen ja pakoputken alue puhtaana esim. ruohosta, heinästä, sammaleesta, lehdistä tai vuotavasta rasvasta.

Huoltotyöt:

Suorita vain sellaisia huoltotyitä, jotka on kuvattu näissä käyttöohjeissa – kaikki muut työt saa suorittaa vain ammattiliike. Jos tarvitset lisätietoja tai apuvälineitä, käänny **aina** ammattiliikkeen puoleen. STIHL suosittelee teettämään huoltotyöt ja korjaukset vain STIHL-ammattiliikkeessä. STIHL-ammattiliikkeissä saat aina ammattitaitoisen ja asiantuntevan palvelun.

Käytä vain laadukkaita työkaluja, tarvikkeita ja oheislaitteita, jotka STIHL on hyväksynyt tälle laitteelle tai teknisesti vastaavia osia. Muuten seurauksena voi olla laitteen vaurioituminen ja tapaturma. Epävarmoissa tapauksissa käänny ammattiliikkeen puoleen.

Alkuperäiset STIHL-työkalut, -tarvikkeet ja -varaosat soveltuvat ominaisuuksiltaan parhaiten laitteeseen ja käyttäjän vaatimuksiin. Alkuperäiset STIHL-varaosat tunnistaa STIHL-varaosanumerosta, STIHL-logosta ja mahdollisesta STIHL-varaosamerkinnästä. Pienikokoisiin osiin voi olla merkitty ainoastaan STIHL-varaosamerkintä.

Polttoainejärjestelmän osat (esimerkiksi polttoaineputki, -hana, polttoainesäiliö, säiliön korkki ja liitännät) on turvallisuussyistä tarkastettava säännöllisesti vaurioiden ja vuotojen varalta ja ammattilaisen on vaihdettava ne tarvittaessa (STIHL suosittelee STIHLin huoltoliikettä).

Pidä varoitus- ja ohjetarrat puhtaina ja luettavina. STIHL-jälleenmyyjä voi vaihtaa vioittuneiden tai kadonneiden tarrojen tilalle uudet alkuperäistarrat. Jos

laitteeseen vaihdetaan uusia osia, varmista, että uudessa osassa on samanlainen tarra.

Varmista, että kaikki mutterit, pultit ja ruuvit on kiristetty tiukalle, jotta laite on aina käyttöturvallinen.

Älä muuta polttomoottorin perussäätöä äläkä käytä sitä ylikerroksilla.

Jos rakenneosia tai turvalaitteita on pitänyt irrottaa huoltotyitä varten, ne on kiinnitettävä välittömästi ja määräysten mukaisesti takaisin paikoilleen.

Huomioi teräosia (jyrsinteriä) vaihtaessasi jyrsinterätyyppi ja -yhdistelmä. Vain STIHLin hyväksymät mallit ovat sallittuja.

4.8 Pitkäaikaissäilytys

Anna polttomoottorin jäähtyä, ennen kuin jätät laitteen suljettuun tilaan.

Säilytä laite polttoainesäiliö tyhjennettynä ja polttoaine lukitussa tilassa, jossa on riittävä ilmanvaihto.

Suojaa laite asiattomalta käytöltä (esimerkiksi lapset).

Älä säilytä laitetta sisätiloissa, jos säiliössä on vielä bensiiniä. Höyrystyvä bensiini voi päästä kosketuksiin avotulen tai kipinöiden kanssa ja syttyä palamaan.

Mikäli tankki on tyhjennettävä esimerkiksi talvisäilytyksen ajaksi, tyhjentäminen tulisi suorittaa ulkona (esimerkiksi käyttämällä polttomoottoria).

Puhdista laite ennen säilytystä huolellisesti (esimerkiksi talvisäilytys).

Varastoi laite aina sytytystulpan pistoke irrotettuna.

Varastoi laite käyttökuntoisena.

Anna laitteen jäähtyä kokonaan, ennen kuin peität sen.

4.9 Hävittäminen

Jäteöljy, polttoaine, käytetyt voiteluaineet, suodattimet, akut ja vastaavat kulutusosat sekä muut ongelmajätteet voivat vahingoittaa ihmisiä, eläimiä ja ympäristöä, ja siksi ne tulee hävittää asianmukaisesti.

Saat tietoa jätteiden asianmukaisesta hävittämisestä kierrätyskeskuksista tai ammattiliikkeestä. STIHL suosittelee STIHL-ammattiliikettä.

Huolehdi siitä, että loppuun palvelut laite hävitetään asianmukaisesti. Noudata luvun "Ympäristönsuojelu" ohjeita. (⇒ 14.)

5. Kuvasympölien selitykset



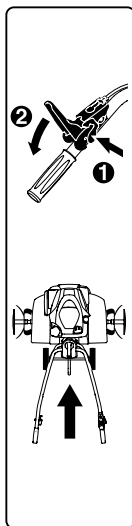
Huomio! – Loukkaantumisvaara!

Perehdy käyttö- ja turvaohjeisiin ennen käyttöönottoa.

Pyörivät terät: pidä kädet ja jalkaterät etäällä pyörivistä teristä. Suojakansien oltava käytön aikana paikoillaan.

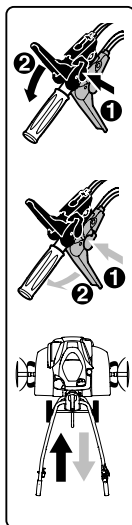
Pidä riittävä turvaväli.

Vedä sytytystulpan pistoke irti ennen huolto- ja puhdistustöiden aloittamista.



MH 445:

Ennen vedonkytkentävivun käyttöä on turvallisuus-syistä ensin painettava avausvipua. Näin vedonkytkentävivua ei voi käyttää vahingossa.



MH 445 R, MH 560, MH 585, MH 685:

Ennen vedonkytkentävivun käyttöä on turvallisuus-syistä ensin painettava avausvipua. Näin vedonkytkentävivua ei voi käyttää vahingossa. Musta vedonkytkentävipu on eteenpäinajovaihteelle, punainen vedonkytkentävipu peruutusvaihteelle.



Palovamman vaara!

Älä kosketa kuumia pintoja. Vaihteistokotelo kuumenee.

6. Toimitussisältö



Kohta	Nimike	Kpl
A	Peruslaite	1
B	Työntöaisa	1
C	Kiristysvipu	1
D	Kuljetusalusta	1
E	Jarrukannus	1
F	Suojalista vasen	1
G	Suojalista oikea	1
H	MH 445, MH 445 R: Jyrsinterä	4
I	MH 560, MH 585, MH 685: Kaksi jyrsinterää	2
J	MH 585, MH 685: Yksi jyrsinterä	2
K	Suojarengas	2
L	Kasvien suojalevy	2
M	Vedonkytkentävipu (eteenpäin) musta	1
N	MH 445 R, MH 560, MH 585, MH 685: Vedonkytkentävipu (taaksepäin) punainen	1
O	MH 445: Lukkomutteri M6	1
P	MH 445: Suojus	1
Q	Lukkomutteri M6	1
R	Kupukantaruuvi M6	1

Kohta	Nimike	Kpl
S	MH 445, MH 445 R, MH 585, MH 685: Kääntösokka 10x40 MH 560: Kääntösokka 10x40	6 4
T	Kupukantaruuvi M8	2
U	Kuusiomutteri M8	2
V	Johtoside	2
-	Käyttöopas	1
-	Käyttöopas Polttomoottori	1
-	MH 560, MH 585, MH 685: Tulppa-avain	1

7. Laitteen valmistelu käyttöä varten

7.1 Asennusohjeet



Loukkaantumisvaara!

Noudata kappaleen "Turvallisuutesi vuoksi" turvaohjeita. (⇒ 4.) Ota sytytystulpan pistoke irti ja käytä kaikkien jyrnsinterien töiden aikana tukevia käsineitä.

Noudata vääntömomenttiohjeita!

Sijoita ja kiinnitä käyttövaijerit ja kaasuvaijeri vain kuvatulla tavalla. Vaijereiden vääränlainen asennus (esimerkiksi väärä sijoitus tai kiinnitys väärään kytkentävipuun) voi aiheuttaa toimintahäiriöitä.

- Suorita kaikki kuvatut työt laite puhtaalla, vaakasuoralla, tasaisella ja tukevalla alustalla.
- Huomioi asennusasento – pidä aina huoli laitteen vakaasta ja varmasta asennosta.

- Noudata tarkasti vaijereiden asennusohjeita. Kiinnitä kaikki vaijerit **johtositeillä** työntöaisaan laitevaurioiden (esimerkiksi työntöaisan taittamisen yhteydessä) tai mahdollisten toimintahäiriöiden välttämiseksi.

Vedonkytkentävipu, käyttövaijerit

MH 445:

- Musta vedonkytkentävipu työntöaisan yläpuolella
- Käyttövaijeri (eteenpäin)

MH 445 R, MH 560, MH 585, MH 685:

- Musta vedonkytkentävipu työntöaisan yläpuolella
- Punainen vedonkytkentävipu työntöaisan alapuolella
- Käyttövaijeri (eteenpäin). Vaijerissa on **musta suoju**s ja se kiinnitetään mustaan vedonkytkentävipuun.
- Käyttövaijeri (taaksepäin). Vaijerissa on **punainen suoju**s ja se kiinnitetään punaiseen vedonkytkentävipuun.

7.2 Alustan kiinnitys



- Kokoamisasento: Käännä peruslaite (A) kuvan mukaisesti eteenpäin ja aseta käyttöakselien alle tueksi sopivat puualustat (1) (korkeus 50 - 60 mm, leveys/pituus noin 100 mm).
- **1** Paina kiinnityssanka (2) ylös ja pidä ylhäällä.
- **2** Vie kuljetusalusta (D) avausvivun (4) pultin aukkoon (3).
- Paina kuljetusalusta (D) vasteeseen asti ylös ja pidä ylhäällä.

- **3** Paina kiinnityssankaa (2) alaspäin. Aseta ruuvit (T) molemmilla puolilla alakautta paikalleen.
- **4** Kiinnitä kiinnityssanka (2) kiertämällä molempia muttereita (U).

7.3 Jarrukannuksen kiinnitys



- Kokoamisasento: katso "Alustan kiinnitys" (⇒ 7.2)
- Paina avauspulttia (1) ja pidä painettuna.
- Vie jarrukannus (E) alakautta välikappaleeseen (2) ja vedä vasteeseen asti ylös.
- Päästä irti avauspultista (1) ja vedä jarrukannusta (E) alas, kunnes se lukittuu.
- Varmista jarrukannuksen (E) kiinnityksen pitävyys.

7.4 Työntöaisan kiinnitys



- **1** Asennusasento: katso "Alustan kiinnitys" (⇒ 7.2)
- Poista kuminauha (1).
- **2** Nosta konsolia (2) ja pidä se ylhäällä.
- **3** Vie työntöaisa (B) keskelle konsolin (2) ja työntöaisan alaosan (3) väliin vasteeseen asti ja pidä siinä. Jousen päiden (4) on oltava kuvan mukaisesti säätölukkoa (5) vasten. Tarkasta, että jousen (4) asento säätöelementissä (6) on kuvan mukainen, ja tarvittaessa kiinnitä jousi.
- **4** Kiristä ruuvi (7).

- **5** Kierrä mutteri (8) irti kiristysvivusta (C) ja poista jousen (9) kanssa.
- Työnnä kiristysvipu (C) ja siihen yhdistetty ruuvi yläkautta konsolin (2) ja työntöaisan alaosan (3) läpi. Työnnä jousi (9) kiristysvipuun (C). Kierrä mutteria (8) yhdestä kahteen kierrosta kiinni.



Huomautus!

Asenna kiristysvipu (C) niin, että se kiristyy eteenpäin ja polttomoottoria kohti painettaessa.

- **6** Siirrä työntöaisan yläosa (3) keskiasentoon. (⇒ 11.3)
- Paina kiristysvipua (C) käsin eteenpäin.
- Kiristä mutteri (8) 5 Nm:n tiukkuuteen (ei vasteeseen asti).
- Kireyden tarkastus: Kiristysvipu (C) on asennettu oikein, kun kiristysvipua voi käyttää käsin ja työntöaisa on pitävästi kiinni peruslaitteessa.
- Kiristysvoiman säätö: Jos työntöaisa ei ole riittävän kireällä tai kiristysvipua ei voi käyttää käsin, avaa kiristysvipu ja säädä kiristysvoima kiertämällä mutteria (8) kiinni tai auki. Paina kiristysvipua sen jälkeen uudelleen eteenpäin.



Loukkaantumiswaara!

Laitetta saa työntää ja vetää vain työntöaisasta, joka on pitävästi kiinni peruslaitteessa (työntöaisa ei saa olla kiristysasennossa löysällä).

7.5 Työntöaisan kääntäminen auki



- Vedä kiristysvipu (1) ylös. Käännä työntöaisan yläosa (2) nuolen suuntaan auki.
- Paina kiristysvipu (1) vasteeseen asti eteen.
- Säädä työntöaisan korkeus. (⇒ 11.2)

7.6 Suojalistojen kiinnitys



- Tarkasta suojalistoihin (F, G) kiinnitetyt ruuvit (1) – älä kierrä niitä kokonaan irti.
- Aseta jyrsin puhdistusasentoon. (⇒ 12.2)
- Aseta vasen suojalista (F) kolmen asennetun ruuvien (1) avulla suojalevyn kolmeen reikään (2).
- Työnnä suojalistaa (F) eteenpäin ja pidä paikallaan.
- Kierrä ruuvit (1) paikoilleen ja kiristä 10 - 12 Nm:n tiukkuuteen.
- Tarkasta suojalistan (F) kiinnityksen pitävyys ja kiinnitä sitten oikea suojalista (G) samalla tavalla.

7.7 Jyrsinterien asennus MH 445, MH 445 R



- Aseta jyrsin puhdistusasentoon. (⇒ 12.2)



Noudata tarkasti asennusohjeita. Noudata etenkin järjestystä ja asenna suojarenkaat, jyrsinterät ja kääntösokat kuvatulla tavalla ja täydellisesti. Huomioi kääntösokan kiinnityksessä tarkasti kuvattu suunta ja lukkosangan sijoitus. Väärin kiinnitetty tai kiertynyt kääntösokka voi aueta itsestään ja hävitä.

Jotta työn jälki olisi hyvä, suuntaa jyrsinterien kaikki leikkuusarmät eteenpäin (älä työntöaisaan päin). Huomioi nuolen suunta.

Jyrsinterämallit:

- Jyrsinterä (1): ulkohalkaisijaltaan samankokoiset akselit (2)
- Jyrsinterä (3): ulkohalkaisijaltaan erikokoiset akselit (4)



- Työnnä suojarengas (K) vasteeseen asti käyttöakselille (5). Suojarenkaan aukkojen pitää lukittua vaihteistokotelon (6) kolmeen lukkonokkaan.
 - Aseta jyrsinterä (1) paikalleen **lyhyempi** akseli (2) vaihteistokoteloon päin ja leikkuusarmät (7) eteenpäin. Jyrsinterässä olevien nuolien (8) ja vaihteistokotelossa (6) olevan nuolen (9) on osoitettava samaan suuntaan.
 - Työnnä jyrsinterä (1) käyttöakselille (5).
 - Kierrä jyrsinterää (1) siten, että akselin ja käyttöakselin reiät ovat kohdakkain.
- 2**
- Työnnä kääntösokka (S) reikien läpi ja käännä lukkosanka kiinni.

3

- Aseta jysinterä (3) paikalleen niin, että akselin (4) **pienempi** ulkohalkaisija on juuri asennettuun jysinterään (1) päin ja leikkuusärmät (7) ovat eteenpäin. Jysinterässä olevien nuolien (8) ja vaihteistokotelossa (6) olevan nuolen (9) on osoitettava samaan suuntaan.
- Työnnä jysinterä (3) jo asennettuun jysinterään (1).
- Kierrä jysinterää (3) siten, että jysinterien reiät ovat kohdakkain.

4

- Työnnä kääntösokka (S) reikien läpi ja käännä lukkosanka kiinni.
- Asenna tarvittaessa kasvien suojalevy. (⇒ 7.9)
- Toista jysinterän asennus toisella puolella.

7.8 Jysinterien asennus MH 445, MH 585, MH 685



- Aseta jysin puhdistusasentoon. (⇒ 12.2)



Noudata tarkasti asennusohjeita. Noudata etenkin järjestystä ja asenna suojarenkaat, jysinterät ja kääntösokat kuvatulla tavalla ja täydellisesti. Huomioi kääntösokan kiinnityksessä tarkasti kuvattu suunta ja lukkosangan sijoitus. Väärin kiinnitetty tai kiertynyt kääntösokka voi aueta itsestään ja hävitä.

Jotta työn jälki olisi hyvä, suuntaa jysinterien kaikki leikkuusärmät eteenpäin (älä työntöaisaan päin). Huomioi nuolen suunta.

Jysinterämallit:

- Jysinterä (I): kaksirivinen jysinterä
- Jysinterä (J): yksirivinen jysinterä

1 MH 560, MH 585, MH 685

- Työnnä suojarengas (K) vasteeseen asti käyttöakselille (1). Suojarenkaan aukkojen pitää lukittua vaihteistokotelon (2) kolmeen lukkonokkaan.
- Aseta jysinterä (I) paikalleen **lyhyempi** akseli (3) vaihteistokoteloon päin ja leikkuusärmät (4) eteenpäin. Jysinterässä olevien nuolien (5) ja vaihteistokotelossa (2) olevan nuolen (6) on osoitettava samaan suuntaan.
- Työnnä jysinterä (I) käyttöakselille (1).
- Kierrä jysinterää (I) siten, että akselin ja käyttöakselin reiät ovat kohdakkain.

2 MH 560, MH 585, MH 685

- Työnnä kääntösokka (S) reikien läpi ja käännä lukkosanka kiinni.

3 MH 585, MH 685

- Aseta jysinterä (J) paikalleen niin, että akselin (7) **pienempi** ulkohalkaisija on juuri asennettuun jysinterään (I) päin ja leikkuusärmät (4) osoittavat eteenpäin. Jysinterässä olevien nuolien (5) ja vaihteistokotelossa (2) olevan nuolen (6) on osoitettava samaan suuntaan.
- Työnnä jysinterä (J) jo asennettuun jysinterään (I).
- Kierrä jysinterää (J) siten, että jysinterien reiät ovat kohdakkain.

4 MH 585, MH 685

- Työnnä kääntösokka (S) reikien läpi ja käännä lukkosanka kiinni.

MH 560, MH 585, MH 685

- Asenna tarvittaessa kasvien suojalevy. (⇒ 7.9)
- Toista jysinterän asennus toisella puolella.

7.9 Kasvien suojalevyn kiinnitys



Huomioi kääntösokan kiinnityksessä tarkasti kuvattu suunta ja lukkosangan sijoitus. Väärin kiinnitetty tai kiertynyt kääntösokka voi aueta itsestään ja hävitä.

- Aseta kasvien suojalevy (L) ulomman jysinterän päälle. Kierrä kasvien suojalevyä siten, että sen ja jysinterän reiät ovat kohdakkain.
- Työnnä kääntösokka (S) reikien läpi ja käännä lukkosanka kiinni.
- Toista sama toisella puolella.

7.10 Vedonkytkentävivun asennus



- Noudata asennusohjeita. (⇒ 7.1)
- Työnnä musta vedonkytkentävipu (M) ja siihen yhdistetty ruuvi (1) yläkautta työntöaisan yläosan reiän läpi.
- MH 445: Kierrä lukkomutteri (O) kiinni ja kiristä se 7 - 9 Nm:n tiukkuuteen. Aseta suojus (P) paikalleen.

- MH 445 R, MH 560, MH 585, MH 685: Sijoita punainen vedonkytkentävipu (N) siten, että mustan vivun ruuvien voi kiertää kiinni punaiseen vipuun yhdistettyyn mutteriin. Paina punainen vedonkytkentävipu (N) ylös työntöaisaa vasten. Kierrä ruuvi (1) paikalleen ja kiristä 7 - 9 Nm:n tiukkuuteen.

7.11 Käyttövaijerin sijoittaminen



- Noudata asennusohjeita. (⇒ 7.1)
- **1** Oikaise käyttövaijeri (eteenpäin) (1) ja kiinnitä se pitimeen (2).
- **2** Kiristä mutteri (3) 2 - 4 Nm:n tiukkuuteen.
- Sijoita käyttövaijeri (eteenpäin) (1) seuraavasti ylös:
 - A** Vedä käyttövaijeri (eteenpäin) (1) työntöaisan yläosan (4) yli.
 - B** Sijoita käyttövaijeri (eteenpäin) (1) työntöaisan yläosan poikkituen (5) alle.
- MH 445 R, MH 560, MH 585, MH 685: Sijoita käyttövaijeri (taaksepäin) (6) polttomoottorin oikealle puolelle kääntövivun (7) alapuolelle. Sijoita vaijeri työntöaisaan ylöspäin kuten käyttövaijeri (eteenpäin).

7.12 Käyttövaijerin kiinnitys



- Noudata asennusohjeita. (⇒ 7.1)
- Käyttövaijeri (eteenpäin):**
- Työnnä vaijerin nippa (1), jossa on musta suojuus (2), mustaan vedonkytkentävipuun (M).
 - Vie nippa (1) vivun (4) aukon (3) läpi. Käytä tarvittaessa pihtejä.

- Vedä nippaa (1) sopivilla pihdeillä ja kiinnitä se kuvan mukaisesti vipuun (4).
- Paina suojuus (2) vedonkytkentävivulle (4) niin että se lukittuu.
- **Toiminnan tarkistaminen:** Käytä vedonkytkentävipua. (⇒ 8.2) Vedonkytkentävivun on toimittava herkästi.

Käyttövaijeri (taaksepäin) MH 445 R, MH 560, MH 585, MH 685:

- Työnnä vaijerin nippa, jossa on punainen suojuus, punaiseen vedonkytkentävipuun.
- Muut osat kootaan samalla tavalla kuin käyttövaijeri (eteenpäin).

7.13 Kaasuvaijerin sijoitus ja kiinnitys



- Noudata asennusohjeita. (⇒ 7.1)
- Oikaise kaasuvaijeri (1) ja sijoita se seuraavasti:
 - A** Vedä kaasuvaijeri työntöaisan yläosan (2) yli.
 - B** Sijoita kaasuvaijeri työntöaisan yläosan poikkituen (3) alle.
- Aseta ruuvi (T) kaasuvaijerikotelon (4) reikään. Aseta kaasuvaijerikotelo paikalleen asetetun ruuvien kanssa sisäkautta työntöaisan yläosan päälle ja pidä siinä. Kierrä lukkomutteri (U) kiinni ja kiristä se 7 - 9 Nm:n tiukkuuteen.

7.14 Vaijereiden kiinnitys työntöaisaan



- Noudata asennusohjeita. (⇒ 7.1)

- MH 445: Kiinnitä käyttövaijeri (1) johtositeellä (V) työntöaisan yläosan oikealle puolelle.
- MH 445 R, MH 560, MH 585, MH 685: Kiinnitä käyttövaijerit (1, 2) johtositeellä (V) työntöaisan yläosan oikealle puolelle.
- Kiinnitä kaasuvaijeri (3) johtositeellä (V) työntöaisan yläosan vasemmalle puolelle.
- Tarkasta johtositeiden kiinnityksen pitävyys. Leikkaa johtositeiden ylimääräiset osat pois.

7.15 Polttoaine ja moottoriöljy



Laitevaurion vaara!

Täytä moottoriin öljy ennen ensimmäistä käynnistyskertaa. Käytä moottoriöljyn ja polttoaineen lisäämisessä sopivaa apuvälinettä (esimerkiksi suppiloa).

Moottoriöljy:

Tiedot käytettävästä moottoriöljystä ja täyttömäärästä saat polttomoottorin käyttöohjeista. Tarkasta öljymäärä säännöllisesti (katso polttomoottorin käyttöohjeet). Öljymäärän ei pidä ylittää eikä alittaa ohjeenmukaista tasoa. Kiristä polttoainesäiliön korkki ohjeenmukaisesti ennen polttomoottorin käyttöönottoa.

Polttoaine:

Suositus: Hyvälaatuinen polttoaine, lyijytön bensiini. Tiedot polttoaineen laadusta (oktaaniluku) sisältyvät polttomoottorin käyttöohjeisiin.



8. Hallintalaitteet

8.1 Kaasuvipu

Kaasuvivulla (1) avulla säädetään polttomoottorin kierroslukua.



Käynnistysasento:



- Vedä kaasuvipu (1) vasteeseen asti **taakse**.
- Polttomoottorin voi käynnistää. (⇒ 11.6)

Pysäytysasento:



- Työnä kaasuvipu (1) vasteeseen asti **eteen** (huomaa pykälä).
- Polttomoottori pysähtyy muutamassa sekunnissa.

Kierrosluvun säätö:

- Siirrä kaasuvipua (1) polttomoottorin käydessä.

Moottorin kierrosluku:

Nopea



Hidas



8.2 Vedonkytkentävipu

Kun vedonkytkentävipua (1, 3) käytetään polttomoottorin käydessä, veto kytkeytyy tai katkeaa ja käyttöakseli alkaa pyöriä tai pysähtyy.



Mustaa vedonkytkentävipua (eteenpäin) (1) käytettäessä jyrsin lähtee liikkeelle **eteenpäin**, kun jyrssinterät on asennettuna ja jyrsin koskettaa maata.

Punaista vedonkytkentävipua (taaksepäin) (3) käytettäessä jyrsin lähtee liikkeelle **taaksepäin**, kun jyrssinterät on asennettuna ja jyrsin koskettaa maata.

Vedonkytkentävivut on turvallisuusyistä mekaanisesti lukittu, jotta niitä ei voi käyttää vahingossa. (⇒ 9.1)
Lisäksi malleissa MH 445 R, MH 560, MH 585, MH 685 mekaaninen varmistus sallii vain yhden vedonkytkentävivun käyttämisen kerrallaan – joko vedonkytkentävipua (eteenpäin) tai vedonkytkentävipua (taaksepäin).



Laitteaurion vaara!

Vedonkytkentävipua tulee käyttää nopeasti ja yhtäjaksoisesti. Sitä ei saa pitää puoliiksi painettuna. Vältä kiilahihnan voimakasta kulumista.

Paina vedonkytkentävipua (eteenpäin):



- **1** Paina avausvipu (2) vasteeseen asti vedonkytkentävipuun (eteenpäin) (1) ja pidä siinä.
- **2** Paina vedonkytkentävipu (eteenpäin) (1) riipeästi vasteeseen asti ja pidä siinä.
- Vapauta avausvipu (2). Veto on kytkettynä ja käyttöakseli pyörii.
- **3** Vaihteiston irtikytkentä: Päästä vedonkytkentävipu (eteenpäin) (1) irti.

Paina vedonkytkentävipua (taaksepäin) (MH 445 R, MH 560, MH 585, MH 685):



- **1** Paina avausvipu (4) vasteeseen asti vedonkytkentävipuun (taaksepäin) (3) ja pidä siinä.
- **2** Paina vedonkytkentävipu (taaksepäin) (3) riipeästi vasteeseen asti ja pidä siinä.
- Vapauta avausvipu (4). Veto on kytkettynä ja käyttöakseli pyörii.
- **3** Vaihteiston irtikytkentä: Päästä vedonkytkentävipu (taaksepäin) (3) irti.

9. Turvalaitteet

Käyttäjän turvallisuuden varmistamiseksi ja epäasianmukaisen käytön estämiseksi laite on varustettu useilla turvalaitteilla.



Loukkaantumisvaara!

Turvalaitteita ei saa poistaa, ohittaa, muuttaa tai vahingoittaa. Laitetta ei saa ottaa käyttöön, jos jokin turvalaite on viallinen. Käänny tarvittaessa ammattiliikkeen puoleen. STIHL suosittelee STIHL-ammattiliikettä.

9.1 Vedonkytkentävivun lukitus

Vedonkytkentävivut on turvallisuusyistä mekaanisesti lukittu, jotta niitä ei voi käyttää vahingossa.

Ennen kuin vedonkytkentävipua voi käyttää, pitää painaa avausvipua. (⇒ 8.2)

9.2 Suojalaitteet

Jyrsin on varustettu suojalaitteilla, jotka estävät tahattoman kosketuksen teriin ja suojaavat ylös sinkoavilta esineiltä. Näitä ovat sivusuojalistat, suojalevy ja ohjeenmukaisesti asennettu työntöaisa.

10. Työskentelyohjeita

10.1 Käyttäjän työskentelyalue



- Käyttäjän pitää turvallisuussyistä seistä koko käyttöajan (polttomootorin käydessä) työskentelyalueella (harmaa alue 1).
- Jyrsintä saa käyttää vain yksi henkilö, ja sivullisten on pysyttävä poissa vaara-alueelta. (⇒ 4.)

10.2 Laitteen työasento



- Jyrsimen saa ottaa käyttöön vain sen seisoessa maassa (polttomoottori ylhäällä). Pidä jyrsintä käytön aikana mahdollisimman suorassa ja vältä jyrkkää kallistamista tai kääntämistä.

10.3 Jyrsinteräyhdistelmät



Vasempaan ja oikeaan käyttöakseliin pitää kiinnittää aina yhtä monta jyrsinterää.

Kasvien suojalevyä voidaan käyttää kaikkien kuvattujen jyrsinteräyhdistelmien kanssa. Se suojaa ympärillä olevia kasveja esimerkiksi kapeaa kasvipenkkiä jyrittäessä.

Mahdolliset yhdistelmät MH 445, MH 445 R:

- Kaksi jyrsinterää:
yksi yksirivinen jyrsinterä käyttöakselia kohti
- Neljä jyrsinterää:
kaksi yksirivistä jyrsinterää käyttöakselia kohti

Mahdolliset yhdistelmät MH 560:

- Kaksi jyrsinterää:
yksi kaksirivinen jyrsinterä käyttöakselia kohti

Mahdolliset yhdistelmät MH 585, MH 685:

- Kaksi jyrsinterää:
yksi kaksirivinen jyrsinterä käyttöakselia kohti
- Neljä jyrsinterää:
yksi kaksirivinen jyrsinterä ja yksi yksirivinen jyrsinterä käyttöakseli kohti

10.4 Ihanteellinen työskentelyasento



Oikea työasento ehkäisee nopeaa väsymistä.

Siksi laite tulisi säätää (työntöaisan korkeussäätö ja jarrukannuksen säätö) siten, että selkä voidaan pitää suorassa koko työskentelyn ajan.

Ihanteellinen asento:

- suora selkä
- suorat jalat
- kyynärvarret vähän alaspäin taivutettuina.

11. Laitteen käyttöönotto

11.1 Valmistelut



Loukkaantumisvaara!

Noudata luvun "Turvallisuutesi vuoksi" turvaohjeita (⇒ 4.) ja perehdy jyrsimen hallintalaitteisiin. (⇒ 8.)

- Tarkasta moottorin öljymäärä ja lisää polttoainetta. (⇒ 7.15)

11.2 Työntöaisan yläosan korkeussäätö



Työntöaisan yläosan korkeutta voi säätää.

- Käännä kuljetusalusta alas. (⇒ 11.4)
- Pidä työntöaisan yläosan (1) kahvasta (2) tiukasti kiinni toisella kädellä.
- Vedä toisella kädellä kiristysvipu (3) taakse ja pidä siinä.
- Aseta työntöaisan yläosa (1) haluamaasi asentoon.

- Paina kiristysvipua (3) eteenpäin ja varmista, että työntöaisan yläosa lukittuu ja kiinnittyy kunnolla.
- Käännä kuljetusalusta tarvittaessa ylös. (⇒ 11.4)

11.3 Työntöaisan sivuttaissäätö



Työntöaisa voidaan säätää sivusuunnassa kolmeen asentoon.

- Käännä kuljetusalusta alas. (⇒ 11.4)
- Pidä yhdellä kädellä kiinni työntöaisan yläosan toisesta kahvasta.
- Vedä kiristysvipu (1) käsin ylös.
- Siirrä työntöaisa haluamaasi asentoon. Varmista, että lukkonokka (2) on yhden kolmesta lukitusreiästä (3) yläpuolella.
- Paina kiristysvipua (1) käsin eteenpäin ja kiristä työntöaisa.
- Tarkasta työntöaisan kiinnityksen pitävyyden.
- Käännä kuljetusalusta tarvittaessa ylös. (⇒ 11.4)

11.4 Kuljetusalustan kääntäminen auki ja kiinni



Kuljetusalustalla jyrshintä voidaan kuljettaa työntämällä tai vetämällä.



Loukkaantumisvaara!

Kun kuljetusalusta on työasennossa (ylös käännettynä) ja avausvipua painetaan, kuljetusalusta voi kääntyä itsestään kuljetusasentoon alas.

Kuljetusalustan kääntäminen alas kuljetusasentoon:

- Nosta kuljetusalustaa (1) vähän toisella kädellä ja pidä siitä kiinni.
- Paina avausvipua (2).
- Käännä kuljetusalusta (1) vasteeseen asti alas ja päästä irti avausvivusta (2). Kuljetusalusta on lukittunut kuljetusasentoon.

Kuljetusalustan kääntäminen ylös työasentoon:

- Pidä toisella kädellä kiinni kuljetusalustasta (1) ja nosta sitä hieman.
- Paina avausvipua (2) ja käännä kuljetusalusta ylös.
- Päästä irti avausvivusta (2) ja käännä kuljetusalusta vasteeseen asti ylös. Kuljetusalusta on lukittunut työasentoon.

11.5 Jarrukannuksen säätö



Jarrukannuksella voidaan säätää maanmuokkauksen aikana vastusta ja siten etenemisnopeutta. Säädön helpottamiseksi jarrukannus on säädettävissä kolmeen asentoon.

Jarrukannuksen säätäminen:

- Avaa kuljetusalusta kuljetusasentoon. (⇒ 11.4)
Varmista laitteen vakaa ja varma asento.
- Paina avauspulttia (1) ja pidä painettuna.
- Siirrä jarrukannus (2) haluamaasi asentoon.

- Päästä avauspultti (1) vapaaksi ja varmista, että jarrukannus lukittuu.

11.6 Polttomoottorin käynnistäminen



- Siirrä kaasuvipu käynnistysasentoon. (⇒ 8.1)
- Pidä käynnistysnarun (1) kahvasta toisella kädellä tiukasti kiinni.
- Vedä käynnistysnaru (1) hitaasti ulos tuntuvaan vastukseen asti. Nykäise sen jälkeen yhdellä vedolla käsivarren pituudelle asti. Ohjaa käynnistysnaru (1) hitaasti takaisin, jotta se ehtii kelautumaan uudelleen. Toista toimenpide, kunnes polttomoottori käynnistyy.

11.7 Polttomoottorin pysäyttäminen

- Sammuta polttomoottori siirtämällä kaasuvipu pysäytysasentoon. (⇒ 8.1)
Polttomoottori pysähtyy muutamassa sekunnissa.

11.8 Vedon (eteenpäin) kytkentä ja katkaisu

Vedon (eteenpäin) kytkentä:

- Vie jyrsin polttomoottori pysäytettynä käyttöpaikalle. (⇒ 13.)
- Käynnistä polttomoottori. (⇒ 11.6)
- Pidä molemmilla käsillä jyrsimen kahvoista kiinni.
- Paina **mustaa** vedonkytkentävipua (eteenpäin) ja pidä painettuna. (⇒ 8.2)
Käyttöakseli ja kiinnitetty terät alkavat pyöriä ja jyrsin lähtee eteenpäin liikkeelle.

Vedon (eteenpäin) katkaisu:

- Päästä vedonkytkentävipu (eteenpäin) irti. (⇒ 8.2)
Käyttöäkseli ja kiinnitetty terät pysähtyvät.

11.9 Vedon (taaksepäin) kytkentä ja katkaisu (MH 445 R, MH 560, MH 585, MH 685)

Jyrsimet MH 445 R, MH 560, MH 585, MH 685 on varustettu peruutusvaihteella.

Peruutusvaihte on tarkoitettu yksinomaan helpottamaan maanmuokkauksessa maahan juuttuneen jyrsimen irrotusta. Peruutusvaihdetta ei käytetä jyrsimiseen.



Loukkaantumisvaara!

Ennen kuin veto (taaksepäin) kytketään, on varmistettava, että käyttäjän vartalon ja työntöaisan välillä on riittävästi tilaa.

Vedon (taaksepäin) kytkentä:

- Vie jyrsin polttomoottori pysäytettynä käyttöpaikalle. (⇒ 13.1)
- Käynnistä polttomoottori. (⇒ 11.6)
- Pidä molemmilla käsillä jyrsimen kahvoista kiinni.
- Paina **punaista** vedonkytkentävipua (taaksepäin) ja pidä painettuna. (⇒ 8.2)
Käyttöäkseli ja kiinnitetty teräosat alkavat pyöriä ja jyrsin lähtee taaksepäin liikkeelle.

Vedon (taaksepäin) katkaisu:

- Päästä vedonkytkentävipu (taaksepäin) irti. (⇒ 8.2)
Käyttöäkseli ja kiinnitetty teräosat pysähtyvät.

11.10 Jyrsintä

Jyrsittäessä maata kuohkeutetaan pyörivillä jyrsinterillä ja valmistellaan kylvö- ja viljelymaaksi tai kasvien hoitoon.



Loukkaantumisvaara!

Jyrsi vain eteenpäin.
Varo töiden aikana esteitä (esimerkiksi polkujen kivilaattoja), joiden päältä ei saa ajaa.

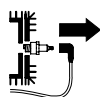
- Vie jyrsin polttomoottori pysäytettynä käyttöpaikalle. (⇒ 13.1)
- Käännä kuljetusalusta sisään. (⇒ 11.4)
- Käynnistä polttomoottori. (⇒ 11.6)
- Pidä jyrsimestä molemmilla käsillä kahvoista kiinni ja ota tukeva asento.
Huomioi käyttäjän työskentelyalue. (⇒ 10.1)
- Paina vedonkytkentävipua (eteenpäin) ja pidä painettuna. (⇒ 11.8)
Jyrsinterät alkavat pyöriä ja voit aloittaa jyrsimisen.
- Työskentelyn jälkeen katkaise veto (⇒ 11.8), pysäytä moottori (⇒ 11.7) ja puhdista laite (⇒ 12.2).

12. Huolto



Loukkaantumisvaara!

Ennen laitteen huolto- tai korjaustöitä lue huolellisesti luku "Turvallisuutesi vuoksi" (⇒ 4.), ja varsinkin kohta "Huolto ja korjaukset" (⇒ 4.7), ja noudata tarkasti kaikkia turvaohjeita.



Vedä sytytystulpan pistoke irti ennen mitään huolto- tai puhdistustöitä!

12.1 Jyrsinterien irrotus



Kun käänñosokka irrotetaan vaihteistokotelon vierestä, koko jyrsinteräsarja ja kasvien suojalevy voidaan vetää irti käyttöäkselistä. Noudata jyrsinterien kiinnityksessä lukujen "Jyrsinterien kiinnitys" (⇒ 7.7), (⇒ 7.8) ja "Jyrsinteräyhdistelmät" (⇒ 10.3) ohjeita.

- Pysäytä laite (polttomoottori ja vaihteisto) ja anna sen jäähtyä kokonaan.
- Aseta jyrsin puhdistusasentoon. (⇒ 12.2)
- Kasvien suojalevyjen irrotus: Käännä käänñosokan (1) lukkosanka auki ja vedä käänñosokka irti. Vedä kasvien suojalevy (2) pois.
- Jyrsinterien irrotus: Käännä käänñosokan (3) lukkosanka auki ja vedä käänñosokka irti. Vedä jyrsinterät (4) kokonaisuudessaan pois.
- Vedä suojaarenkaat (5) irti ja säilytä varmassa paikassa – älä kadota niitä!

12.2 Laitteen puhdistus



Huoltoväli:

Jokaisen käyttökerran jälkeen

- Puhdista koko laite perusteellisesti jokaisen käyttökerran jälkeen. Huolellinen hoito ja käsittely suojaa laitetta ja pidentää sen käyttöikä.

- Anna laitteen jäähtyä täysin ennen puhdistusta, vedä sytytystulpan pistoke irti ja pue vaihteiston ja jyrsinterien puhdistustöitä varten pitkähihainen vaate ja tukevat käsineet.

Puhdistusasento:



Laitevaurion vaara!

Pidä jyrsintä kuvatussa asennossa vain väliaikaisesti (puhdistus- ja huoltotöiden ajan). Varastoi laite pystyasennossa.

- Käänä kuljetusalusta auki. (⇒ 11.4)
- Aseta työntöaisan yläosa ylimpään asentoon. (⇒ 11.2)
- Sijoita jyrsin tasaiselle ja tukevalle alustalle.
- Kallista laite taaksepäin niin että työntöaisa ulottuu maahan.

Puhdistusohjeita:

- Poista lika ja tarttuneet jäänteet vedellä, harjalla, liinalla tai puutikulla. Älä käytä syövyttäviä puhdistusaineita. STIHL suosittelee käyttämään erikoispesuainetta (esimerkiksi STIHL-erikoispuhdistusainetta).
- Älä suuntaa vesisuihkua työntöaisaan, polttomootorin osiin, tiivisteisiin ja laakerikohtiin. Se voisi aiheuttaa kalliita korjauksia.
- **Polttomoottori:**
Poista lika esimerkiksi jäähdytysrivoista, tuuletinpyörästä, ilmansuodattimen ympäriltä ja pakoputkesta polttomootorin riittävän jäähdytyksen varmistamiseksi.
- **Vaihteistokotelon, alustan ja jyrsinterien** puhdistukseen voi käyttää vesisuihkua tai painepesuria.



Laitevaurion vaara!

Pidä painepesuria käyttäessäsi vähintään 1 metrin etäisyys äläkä suuntaa vesisuihkua suoraan laakerikohtiin, käyttöakseliin tai tiivisteisiin, älä varsinkaan vaihteistokotelon ja suojalevyn väliseen tiivisteeseen.

12.3 Polttomoottori

Huoltoväli:

Ennen jokaista käyttökertaa

Tarkasta moottorin öljymäärä (katso polttomootorin käyttöohjeet).

Noudata polttomootorin käyttöohjeissa olevia käyttö- ja huolto-ohjeita.

12.4 Huoltovälit



Laitevaurion vaara!

Jätä vaihteiston huoltotyöt aina ammattiliikkeen tehtäväksi.

Ammattiliikkeen suorittama huolto: Yksityiskäytössä vuosittain

Ammattiliikkeen tulisi huoltaa jyrsin. STIHL suosittelee STIHLin ammattiliikettä.

Käyttäjän suorittama huolto:

- **Aina ennen käyttöönottoa**
Tarkasta moottorin öljymäärä (katso polttomootorin käyttöohjeet).
- **Jokaisen käyttökerran jälkeen**
Puhdista laite. (⇒ 12.2)

12.5 Varastointi ja pitkäaikaissäilytys (talvisäilytys)



Varastoi jyrsin normaalissa asennossa (kuljetusalusta alas käännettynä). Voit säätää säilytystilaa kääntämällä työntöaisan kuvan mukaisesti taakse.



Kaatumisvaara!

Jyrsin voi kaatua eteenpäin, jos jyrsinterät ovat epäedullisessa asennossa. Tarkasta siksi aina, että jyrsin seisoo tukevasti. Vähennä tarvittaessa etukuormitusta kiertämällä jyrsinteriä hieman. Vaihtoehdotisesti tue jyrsin kantokahvasta säilytyksen ajaksi.

Säilytä laitetta kuivassa, suljetussa ja pölyttömässä tilassa. Varmista, etteivät lapset pääse siihen käsiksi.

Mahdolliset toimintahäiriöt tulee korjata aina ennen varastointia. Laitteen on aina oltava käyttökuntoinen. Tarkista, että kaikki mutterit, pultit ja ruuvit on kiristetty, vaihda epäselvät varoitustarrat laitteeseen ja tarkasta koko kone kuluneisuuden ja vaurioiden varalta. Vaihda kuluneet ja vialliset osat.

Huolehdi lisäksi seuraavista kohteista ennen laitteen pidempää varastointia (talvisäilytys):

- Puhdista huolellisesti kaikki laitteen ulkopuoliset osat.
- Tyhjennä polttoainesäiliö ja kaasutin.
- Öljyä tai rasvaa hyvin kaikki liikkuvat osat.

- Ruuvaa sytytystulppa irti (katso polttomoottorin käyttöohjeet) ja täytä noin 3 cm³ moottoriöljyä sytytystulpan aukon kautta polttomoottoriin. Pyöräytä polttomoottoria muutamia kertoja ilman sytytystulppaa (vedä käynnistysnarusta).



Palovaara!

Pidä sytytystulpan pistoke syttymisvaaran takia etäällä sytytystulpan reiästä.

- Kierrä sytytystulppa kiinni (katso polttomoottorin käyttöohjeet).
- Suorita öljynvaihto (katso polttomoottorin käyttöohjeet).
- Peitä polttomoottori ja aseta laite normaaliin asentoonsa säilytyspaikkaan.

13. Kuljetus

13.1 Jyrsimen kuljetus



31



Loukkaantumisvaara!

Noudata luvun "Turvallisuutesi vuoksi" (⇒ 4.) ohjeita ja etenkin kappaleen "Kuljetus" (⇒ 4.4) ohjeita.

Pysäytä polttomoottori, vedä sytytystulpan pistoke irti ja pue päälle sopiva suojavaatetus (turvajalkineet, käsineet sekä käsivarret ja jalat peittävä työpuku) ennen kuljetusta.

Huomioi paino! (⇒ 18.)

1 Jyrsimen vetäminen tai työntäminen:

- Siirrä jarrukannus korkeimpaan asentoon. (⇒ 11.5)
- Käännä kuljetusalusta alas. (⇒ 11.4)
- Pidä jyräntä molemmista kahvoista (1) kiinni ja kallista taaksepäin, kunnes laite on kuljetuspyörien varassa.
- Vedä tai työnnä jyräntä hitaasti (kävelyvauhdilla). Sileällä ja tasaisella alustalla laitetta on työnnettävä, kuoppaisella alustalla vedettävä.



Loukkaantumisvaara!

Laitteen suuren painon takia ole erityisen varovainen portaiden, kynnysten, viistojen ramppien ja muiden korokkeiden kohdalla. Käyttäjän pitää aina olla laitetta ylempänä, jotta se ei hallinnan menettämisen seurauksena vierä hängen päälle. Työnnä laite alaspäin tai vedä se ylöspäin kynnysten ja rinteiden yli.

Laitteen saa työntää tai vetää enintään 2–3 porrasaskelman yli. Kun porrasaskelmia on enemmän, jyräntä on kannettava niistä apurin avulla.

2 Jyrsimen nostaminen tai kantaminen:

- Tarkasta työntöaisan yläosan kiinnityksen pitävyyden.
 - Nosta ja kanna jyräntä vähintään yhden apurin kanssa ja huolehdi aina riittävästä etäisyydestä jyränteriin.
- Kannatinkohdat:**
Pidinkahvat (1) ja kantokahva (2)

3 Jyrsimen kuljettaminen kuljetuslavalla:

- Kuljeta jyräntä aina **pystyssä** kuljetusalusta ja jyränterät maahan nojaten. Älä koskaan aseta laitetta kyljelleen.
 - Käännä kuljetusalusta alas (⇒ 11.4) ja kiinnitä jyränterät (⇒ 7.7), (⇒ 7.8), jotta asento on tukeva.
 - Varmista, että jyräntä ei pääse luistamaan, ja sido se vaijereilla ja hihnoilla kuljetuslavalle.
- Sidontakohdat:**
Kuljetusalustan (3) ja jyränterien (4) akselit.

14. Ympäristönsuojelu



Pakkaukset, laite ja lisävarusteet on valmistettu kierrätettävistä materiaaleista, ja ne tulee hävittää asiaankuuluvasti.

Materiaalijätteiden lajittelu säästää ympäristöä ja edistää kierrätettävien hyötyaineiden uudelleenkäyttöä. Tästä syystä loppuun käytetty laite tulee toimittaa kierrätyskeskukseen.

14.1 Hävittäminen

Jäteöljy (moottori- ja vaihteistoöljy) ja polttoaine tulee hävittää asianmukaisesti.

Tee polttomoottori toimintakelvottomaksi ennen hävittämistä. Poista tätä varten sytytyskaapeli, tyhjennä polttoainesäiliö ja poista moottoriöljy.

Jyränterät voivat aiheuttaa vammoja!

Älä koskaan jätä loppuun palvelluttakaan jysintä lojumaan. Varmista, että laite ja jysinterät säilytetään poissa lasten ulottuvilta.

15. Kulumisen minimointi ja vaurioiden ehkäisy

Tärkeitä huolto- ja hoito-ohjeita

Bensiinikäyttöiset jysimet (STIHL MH)

STIHL ei vastaa sellaisista esine- ja henkilövahingoista, jotka ovat aiheutuneet käyttöohjekirjassa annettujen ohjeiden (erityisesti turvallisuutta, käyttöä ja huoltoa koskevat ohjeet) laiminlyönnistä tai hyväksymättömien lisä- tai vaihto-osien käytöstä.

Noudata ehdottomasti seuraavia ohjeita STIHL-laitteen vaurioiden ja liiallisen kulumisen välttämiseksi:

1. Kulutusosat

STIHL-laitteen jotkut osat altistuvat luonnolliselle kulumiselle myös ohjeenmukaisessa käytössä, ja ne on vaihdettava ajoissa käyttötavan ja -ajan mukaan.

Näitä osia ovat esimerkiksi

- kiilahihna
- jysinterä
- jarrukannus.

2. Tämän käyttöoppaan noudattaminen

STIHL-laitetta tulee käyttää, huoltaa ja säilyttää tarkoin tätä käyttöopasta noudattaen. Käyttäjä on itse vastuussa kaikista vaurioista, jotka aiheutuvat turvallisuus-, käyttö- ja huolto-ohjeiden laiminlyönnistä.

Tämä koskee erityisesti seuraavia kohtia:

- tuotteen määräystenvastainen käyttö
- aineiden käyttö, joita STIHL ei ole hyväksynyt (voiteluaine, bensiini ja moottoriöljy, katso polttomoottorin valmistajan käyttöohjeet)
- tuotteeseen ilman STIHLin hyväksyntää tehdyt muutokset
- lisäosien, oheislaitteiden tai leikkuuterien käyttö, joita STIHL ei ole hyväksynyt
- tuotteen käyttö urheilutilaisuuksissa tai kilpailuissa
- tuotteen viallisten rakenneosien jatkuvan käytön aiheuttamat seurausvauriot.

3. Huoltotyöt

Kaikki luvussa "Huolto" selostetut työt tulee suorittaa säännöllisesti.

Huoltotyöt, joita käyttäjä ei voi itse suorittaa, tulee jättää ammattiliikkeen tehtäväksi.

STIHL suosittelee teettämään huoltotyöt ja korjaukset vain STIHL-ammattiliikkeessä.

STIHL-ammattiliikkeissä saat aina ammattitaitoisen ja asiantuntevan palvelun.

Näiden töiden laiminlyönti voi aiheuttaa vaurioita, joista käyttäjä on itse vastuussa.

Näitä ovat esimerkiksi

- epäasianmukaisesta säilytyksestä johtuvat korroosio- tai muut seurannaisvauriot
- heikkolaatuisten varaosien käytöstä aiheutuneet laitevauriot

- liian myöhään tai puutteellisesti suoritetusta huollosta johtuvat vauriot tai vauriot, jotka johtuvat huolto- tai korjaustöistä, joita ei ole suoritettu ammattiliikkeiden korjaamoissa.

16. Varaosat

Kääntösokka (jysinterät):
9396 021 3785

MH 445, MH 445 R

Jysinteräsarjakokoonpano, vasen sisä:
6241 710 0200

Jysinteräsarjakokoonpano, oikea sisä:
6241 710 0205

Jysinteräsarjakokoonpano, vasen ulko:
6241 710 0210

Jysinteräsarjakokoonpano, oikea ulko:
6241 710 0215

MH 560, MH 585, MH 685

Jysinteräsarjakokoonpano, vasen sisä:
6241 710 0220

Jysinteräsarjakokoonpano, oikea sisä:
6241 710 0225

MH 585, MH 685

Jysinteräsarjakokoonpano, vasen ulko:
6242 710 0210

Jysinteräsarjakokoonpano, oikea ulko:
6242 710 0215

17. EU-vaatimustenmukaisuusvakuutus

17.1 Jyrsin STIHL MH 445.0, MH 445.0 R, MH 560.0, MH 585.0, MH 685.0

STIHL Tirol GmbH
Hans Peter Stihl-Straße 5
6336 Langkampfen
Itävalta

vakuuttaa yksinomaisena vastuullisena, että kone

- Rakenne: Jyrsimet
- Tuotemerkki: STIHL
- Tyyppi: MH 445.0, MH 445.0 R, MH 560.0, MH 585.0, MH 685.0
- sarjatunnus: 6241

täyttää direktiivien 2000/14/EC, 2006/42/EC, 2014/30/EU ja 2011/65/EU asianmukaiset säännökset, ja se on kehitetty ja valmistettu seuraavien valmistuspäivänä voimassa olevien normiversioiden mukaan: EN 709 ja EN 14982 (soveltuvin osin).

Ilmoitetun laitoksen nimi ja osoite:
TÜV Rheinland LGA Products GmbH
Tillystraße 2
D-90431 Nürnberg

Mitatun ja taatun äänentehotason mittaamisessa on noudatettu direktiivin 2000/14/EC liitettä VIII.

MH 445.0, MH 445.0 R

- Mitattu äänentehotaso: 92 dB(A)
- Taattu äänentehotaso: 93 dB(A)

MH 560.0, MH 585.0

- Mitattu äänentehotaso: 91,3 dB(A)
- Taattu äänentehotaso: 93 dB(A)

MH 685.0

- Mitattu äänentehotaso: 92,4 dB(A)
- Taattu äänentehotaso: 93 dB(A)

Teknisiä asiakirjoja säilytetään STIHL Tirol GmbH:n tuotehyväksynnän kanssa.

Valmistusvuosi ja sarjanumero on merkitty jyrsimen tyyppikilpeen.

Langkampfen, 02.11.2020

STIHL Tirol GmbH

psta



Matthias Fleischer, tutkimus- ja tuotekehitysjohtaja

psta



Sven Zimmermann, laatujohtaja

18. Tekniset tiedot

MH 445.0 / MH 445.0 R / MH 560.0 / MH 585.0 / MH 685.0

Sarjatunnus	6241
Polttomoottorin rakenne	4-tahtinen polttomoottori
Käynnistyslaite	narukäynnistys
Direktiivin 2000/14/EC mukaan:	
Taattu äänentehotaso L_{WAd}	93 dB(A)

MH 445.0 / MH 445.0 R

Moottorityyppi	B&S Series 550 EX OHV RS
Iskutilavuus	140 ccm
Nimellisteho nimelliskierrosluvulla	2,2 - 3100 kW - 1/min
Polttoainesäiliö	0,8 l
Varustus	4 jyrsinosaa, 2 kasvien suojalevyä
Jyrsinteräsarjan halkaisija	30 cm
Jyrsinteräsarjan työ-kierrosluku – tarkastuskierrosluku	124 1/min
Tarkastuskierrosluku	3100 1/min
Direktiivin 2006/42/EC mukaan:	
Äänenpainetaso työpisteessä L_{pA}	80 dB(A)
Epävarmuus K_{pA}	2 dB(A)
Ilmoitettu värinäarvo standardin EN 12096 mukaan:	
Mitattu arvo a_{hw}	5,50 m/s ²
Epävarmuus K_{hw}	2,20 m/s ²
Mittaus standardin EN 20643 mukaan	

MH 445.0 / MH 445.0 R

Voimansiirto MH 445.0	1 eteenpäinajo- vaihde
Voimansiirto MH 445.0 R	1 eteenpäinajo- vaihde 1 peruutusvaihte
Paino	36/37 kg

MH 560.0/ MH 585.0

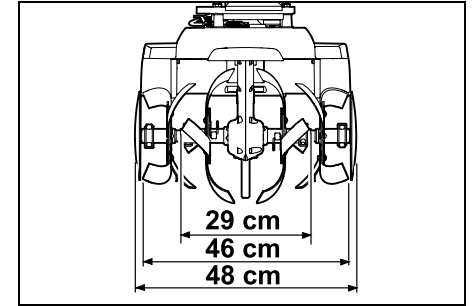
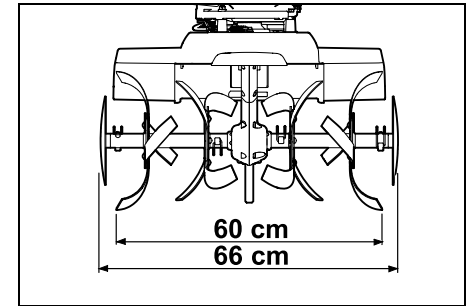
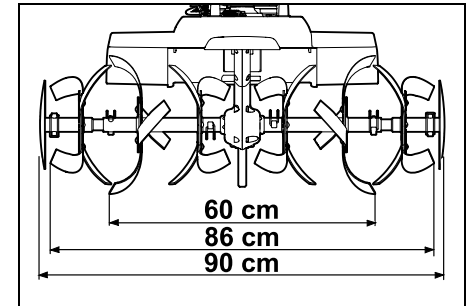
Moottorityyppi	Kohler HD675
Iskutilavuus	149 ccm
Nimellisteho nimelliskierrosluvulla	2,3 - 3000 kW - 1/min
Polttoainesäiliö	1,4 l
Varustus MH 560.0	2 jyrinsosaa, 2 kasvien suojalevyä
Varustus MH 585.0	4 jyrinsosaa, 2 kasvien suojalevyä
Jyrsinteräsarjan halkaisija	32 cm
Jyrsinteräsarjan työ- kierrosluku – tarkastuskierrosluku	120 1/min
Tarkastuskierrosluku	3000 1/min
Direktiivin 2006/42/EC mukaan:	
Äänenpainetaso työ- pisteessä L_{pA}	79 dB(A)
Epävarmuus K_{pA}	2 dB(A)
Ilmoitettu värinääro standardin EN 12096 mukaan:	
Mitattu arvo a_{hw}	5,00 m/s ²
Epävarmuus K_{hw}	2,50 m/s ²
Mittaus standardin EN 20643 mukaan	

MH 560.0/ MH 585.0

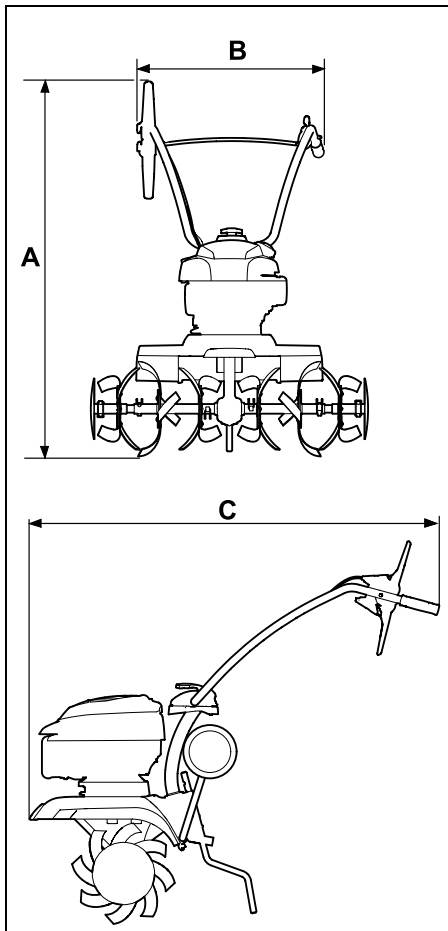
Voimansiirto	1 eteenpäinajo- vaihde 1 peruutusvaihte
Paino	41/44 kg

MH 685.0

Moottorityyppi	Kohler HD775
Iskutilavuus	173 ccm
Nimellisteho nimelliskierrosluvulla	2,9 - 3200 kW - 1/min
Polttoainesäiliö	1,4 l
Varustus	4 jyrinsosaa, 2 kasvien suojalevyä
Jyrsinteräsarjan halkaisija	32 cm
Jyrsinteräsarjan työ- kierrosluku – tarkastuskierrosluku	128 1/min
Tarkastuskierrosluku	3200 1/min
Direktiivin 2006/42/EC mukaan:	
Äänenpainetaso työ- pisteessä L_{pA}	80 dB(A)
Epävarmuus K_{pA}	2 dB(A)
Ilmoitettu värinääro standardin EN 12096 mukaan:	
Mitattu arvo a_{hw}	6,00 m/s ²
Epävarmuus K_{hw}	2,40 m/s ²
Mittaus standardin EN 20643 mukaan	
Voimansiirto	1 eteenpäinajo- vaihde 1 peruutusvaihte
Paino	46 kg

MH 445.0, MH 445.0 R:**MH 560.0:****MH 585.0, MH 685.0:**

MH 445.0, MH 445.0 R, MH 560.0,
MH 585.0, MH 685.0:



MH 445.0, MH 445.0 R:

A = 118 cm
B = 57 cm
C = 122 cm

MH 560.0, MH 585.0, MH 685.0:

A = 119 cm
B = 57 cm
C = 122 cm

18.1 REACH

REACH on EY-asetus kemikaalien rekisteröinnistä, arvioinnista ja hyväksynnästä.

Tietoja REACH-asetuksen (EY) nro 1907/2006 vaatimusten täyttämisestä on osoitteessa www.stihl.com/reach

19. Vianetsintä

✘ Käänny tarvittaessa ammattiliikkeen puoleen. STIHL suosittelee STIHL-liikettä.

📖 Katso polttomoottorin käyttöohjeet.

Häiriö:

Polttomoottori ei käynnisty

Mahdollinen syy:

- Kaasuvipu pysäytysasennossa
- Ei polttoainetta säiliössä; polttoaineputki tukossa
- Huonolaatuista, likaista tai vanhaa polttoainetta säiliössä
- Sytytystulpan pistoke vedetty irti sytytystulpasta; sytytysjohdin huonosti kiinni pistokkeessa
- Sytytystulppa nokeentunut tai vaurioitunut; virheellinen tulpan kärkiväli
- Ilmansuodatin on likainen
- Polttomoottori on "kostunut" useamman käynnistysyrityksen vuoksi

Korjaus:

- Siirrä kaasuvipu käynnistysasentoon (⇒ 8.1)
- Lisää polttoainetta (⇒ 7.15); puhdista polttoaineputket (✘)

- Käytä lyijytöntä matalaoktaanista bensiiniä (⇒ 7.15); puhdista kaasutin (✘)
- Paina sytytystulpan pistoke kiinni (📖); tarkasta sytytysjohtimen ja pistokkeen välinen liitos (✘)
- Puhdista tai vaihda sytytystulppa (📖), (✘); säädä sytytystulpan kärkiväli (✘)
- Puhdista tai vaihda ilmansuodatin (✘)
- Kierrä sytytystulppa irti ja kuivaa se, työnnä kaasuvipu pysäytysasentoon ja vedä käynnistysnarusta useamman kerran sytytystulpan ollessa irrotettuna (📖)

Häiriö:

Käynnistys on vaikeaa tai polttomoottorin teho heikkenee

Mahdollinen syy:

- Vettä polttoainesäiliössä ja kaasuttimessa; kaasutin on tukossa
- Polttoainesäiliö on likainen
- Ilmansuodatin on likainen
- Sytytystulppa on nokeentunut

Korjaus:

- Tyhjennä polttoainesäiliö ja puhdista polttoaineputki ja kaasutin (✘)
- Puhdista polttoainesäiliö (✘)
- Puhdista tai vaihda ilmansuodatin (📖), (✘)
- Puhdista tai vaihda sytytystulppa (📖), (✘)

Häiriö:

Polttomoottori kuumenee huomattavasti

Mahdollinen syy:

- Jäähdytysrivat ovat likaiset
- Polttomoottorissa on liian vähän öljyä
- Multa peittää polttomoottorin pinnan

Korjaus:

- Puhdista jäähdytysrivat (⇒ 12.2)

- Täytä moottoriöljyä (⇒ 7.15)
- Poista multa polttomoottorista

Häiriö:

Polttomoottori käy epätasaisesti

Mahdollinen syy:

- Ilmansuodatin on likainen

Korjaus:

- Puhdista tai vaihda ilmansuodatin (📖), (✂)

Häiriö:

Savuttaa paljon

Mahdollinen syy:

- Liikaa öljyä
- Ilmansuodatin on likainen

Korjaus:

- Varmista oikea öljymäärä (📖)
- Puhdista tai vaihda ilmansuodatin (📖), (✂)

Häiriö:

Voimakas tärinä käytön aikana

Mahdollinen syy:

- Moottorin kiinnitys löystynyt

Korjaus:

- Kiristä moottorin kiinnitysruuvit (✂)

Häiriö:

Työteho laskenut

Mahdollinen syy:

- Jyrsinterät asennettu väärin
- Jyrsinterät kuluneet
- Jarrukannus säädetty väärin

Korjaus:

- Kiinnitä jyrsinterät oikein (⇒ 7.7), (⇒ 7.8)
- Vaihda jyrsinterät (✂)
- Sääda jarrukannus (⇒ 11.5)

Häiriö:

Puuttuva työteho

Mahdollinen syy:

- Käyttöakselissa ei ole kääntösokkaa

Korjaus:

- Tarkasta jyrsinterien kiinnitys käyttöakseliin (⇒ 7.7), (⇒ 7.8)

Häiriö:

Kovaääninen vaihteisto

Mahdollinen syy:

- Vaihteiston öljymäärä väärä

Korjaus:

- Tarkista vaihteiston öljymäärä (✂)

Häiriö:

Käyttöakseli ei pyöri vedonkytkentävipu painettuna

Mahdollinen syy:

- Vaijeri viallinen
- Käyttöhihna kulunut

Korjaus:

- Tarkasta tai vaihda vaijeri (✂)
- Vaihda hihna (✂)

20. Huolto-ohjelma

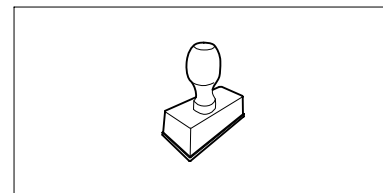
20.1 Luovutustodistus

Malli: _____

Sarjanumero:

<input type="text"/>	<input type="text"/>	<input type="text"/>	<input type="text"/>	<input type="text"/>	<input type="text"/>	<input type="text"/>	<input type="text"/>	<input type="text"/>	<input type="text"/>
----------------------	----------------------	----------------------	----------------------	----------------------	----------------------	----------------------	----------------------	----------------------	----------------------

Päiväys: _____



Seuraava huolto

Päiväys: _____

20.2 Huoltotodistus



Anna nämä käyttöohjeet huoltotöiden yhteydessä STIHL-ammattiliikkeelle. Ammattiliikkeessä huoltotöiden suorittaminen merkitään kenttiin.

Huolto suoritettu

Seuraavan huollon päivämäärä

Kære kunde

Vi er glade for at du har valgt STIHL. Vi udvikler og producerer vores produkter i topkvalitet efter vores kunders behov. Dermed kan vi fremstille produkter med høj pålidelighed, selv ved ekstrem belastning.

STIHL står også for topkvalitet, når det drejer sig om service. Vores faghandel garanterer en kompetent rådgivning og instruktion samt en omfattende teknisk hjælp.

Vi takker for din tillid og håber, at du får stor glæde af dit STIHL produkt.

Dr. Nikola Stihl

VIGTIGT! SKAL LÆSES FØR BRUG OG OPBEVARES.

1. Indholdsfortegnelse

Om denne betjeningsvejledning	120
Generelt	120
Vejledning i læsning af betjeningsvejledningen	120
Beskrivelse af maskinen	121
Sikkerhed	121
Generelt	121
Optankning – omgang med benzin	122
Beklædning og udstyr	122
Transport af maskinen	123
Før arbejdet påbegyndes	123
Under arbejdet	124
Vedligeholdelse og reparation	126
Opbevaring, hvis maskinen ikke skal bruges i længere tid	127
Bortskaffelse	127
Symbolforklaring	127
Medfølgende dele	128
Klargøring af maskinen	128
Monteringsanvisning	128
Montering af undervogn	129
Montering af jordspyddet	129
Montér styrehåndtag	129
Klap styrehåndtaget op	129
Montering af beskyttelsesskiverne	129
Montering af fræsestjerne MH 445, MH 445 R	130
Montering af fræsestjerne MH 445, MH 585, MH 685	130
Montering af beskyttelsesskiven til planter	131
Montering af motorgrebet	131
Udlægning af drivkablet	131
Påhægtning af drivkablet	131
Udlægning og montering af gaskablet	132
Fastgøring af kabeltræk på styrehåndtaget	132
Benzin og motorolie	132
Betjeningsdele	132
Håndtag til gasindstilling	132
Motorgreb	132
Sikkerhedsanordninger	133
Låsning af motorgrebet	133
Beskyttelsesudstyr	133
Arbejdsanvisninger	133
Brugerens arbejdsområde	133
Maskinens arbejdsposition	133
Fræsestjerkombinationer	133
Korrekt arbejdsposition under arbejdet	134
Tag maskinen i brug	134
Forberedelser	134
Højdejustering af styrehåndtagets øverste del	134
Sidejustering på styrehåndtaget	134
Ind- og udklapning af transportstativet.	134
Indstilling af jordspyddet	135
Start forbrændingsmotoren	135
Stand forbrændingsmotoren	135
Kobl fremdriften (fremad) til og fra Kobl fremdriften (bagud) ind og ud (MH 445 R, MH 560, MH 585, MH 685)	135
Fræsning	135
Vedligeholdelse	136
Demontering af fræsestjerner	136
Rengør maskinen	136
Forbrændingsmotor	137
Serviceintervaller	137

Opbevaring og længere pauser (vinterpause)	137
Transport	138
Transport af jordfræser	138
Miljøbeskyttelse	138
Bortskaffelse	138
Sådan minimerer du slid og undgår skader	138
Standardreserverdele	139
EC-overensstemmelseserklæring	139
Jordfræser STIHL MH 445.0, MH 445.0 R, MH 560.0, MH 585.0, MH 685.0	139
Tekniske data	140
REACH	142
Fejlsøgning	142
Serviceplan	143
Leveringsbekræftelse	143
Servicebekræftelse	143

2. Om denne betjeningsvejledning

2.1 Generelt

Denne betjeningsvejledning er producentens **originale betjeningsvejledning** i henhold til EU-direktivet 2006/42/EC.

STIHL arbejder hele tiden på at videreudvikle sit produktudbud. Vi forbeholder os derfor ret til at ændre form, teknik og udstyr.

Der kan af samme årsag ikke gøres krav gældende på basis af anvisningerne eller illustrationerne i dette hæfte.

I denne betjeningsvejledning kan der være beskrevet modeller, som ikke fås i alle lande.

Denne betjeningsvejledning er beskyttet af ophavsretten. Der tages forbehold for alle rettigheder, især retten til mangfoldiggørelse, oversættelse og behandling med elektroniske systemer.

2.2 Vejledning i læsning af betjeningsvejledningen

Billeder og tekst beskriver særlige betjeningsstrin.

Alle billedsymboler, som er anbragt på maskinen, forklares i denne betjeningsvejledning.

Synsretning:

Synsretning under anvendelsen "**venstre**" og "**højre**" i betjeningsvejledningen: Brugeren står bag maskinen og ser fremad i køreretningen.

Kapitelhenvisning:

Der henvises med en pil til særlige kapitler og underkapitler med yderligere forklaringer. I det følgende eksempel ses en henvisning til et kapitel: (⇒ 4.)

Markering af tekstafsnit:

De beskrevne anvisninger kan være markeret som vist i de følgende eksempler.

Betjeningsstrin, som kræver, at brugeren griber ind:

- Løsn skruen (1) med en skruetrækker, tryk på grebet (2) ...

Generelle oplistninger:

- Anvendelse af produktet ved sportsarrangementer eller i konkurrencer

Tekster med særlig betydning:

Tekstafsnit med særlig betydning er markeret med ét af de symboler, der er beskrevet i det følgende, for at fremhæve dem i betjeningsvejledningen.



Fare!

Risiko for ulykker og alvorlig personskade. Der kræves særlig opmærksomhed.



Advarsel!

Risiko for personskade. Særlig opmærksomhed forhindrer mulige eller sandsynlige kvæstelser.



Forsigtig!

Lette personskader og tingsskader kan forhindres med en bestemt adfærd.



Bemærk

Information, som sikrer bedre udnyttelse af maskinen og forhindrer mulige fejlbetjeninger.

Tekst med henvisning til billeder:

Billeder, som forklarer, hvordan du bruger maskinen, finder du forrest i betjeningsvejledningen.

Kamerasymbolet anvendes til at forbinde billederne på billedsiderne med det pågældende tekstafsnit i betjeningsvejledningen.



3. Beskrivelse af maskinen



- 1 Motorgreb (fremad)
- 2 Styrehåndtagets øverste del
- 3 Spændegreb
- 4 Startkabel
- 5 Forbrændingsmotor
- 6 Tændrørshætte
- 7 Beskyttelsesskive
- 8 Beskyttelsesskive til planter
- 9 Fræsestjerner
- 10 Håndtag
- 11 Beskyttelsesskive
- 12 Transportstativ
- 13 Jordspyd
- 14 Afsikringshåndtag (transportstativ)
- 15 Tryk på afsikringsbolten (jordspyddet)
- 16 Holdegreb
- 17 Håndtag til gasindstilling
- 18 MH 445 R, MH 560, MH 585, MH 685: Motorgreb (bagud)
- 19 Mærkeplade med maskinummer

4. Sikkerhed

4.1 Generelt



Forholdsregler til forebyggelse af ulykker skal følges under arbejdet med maskinen.



Hele betjeningsvejledningen skal læses grundigt igennem før den første ibrugtagning.

Opbevar

betjeningsvejledningen til senere brug.

Følg betjenings- og vedligeholdelsesanvisningerne, som du kan finde i den separate betjeningsvejledning til forbrændingsmotoren.

Sikkerhedsforanstaltningerne tjener til din egen sikkerhed, opstillingen er dog ikke udtømmende. Brug kun maskinen på fornuftig og ansvarlig vis, og husk på, at brugeren er ansvarlig for skader på personer eller disses ejendom.

Bliv fortrolig med betjeningsdelene og betjeningselementerne samt maskinens brug. Brugeren skal især vide, hvordan arbejdsværktøjet og maskinens forbrændingsmotor hurtigt kan standses.

Maskinen må kun anvendes af personer, som har læst betjeningsvejledningen, og som derfor ved, hvorledes maskinen skal betjenes. Hver bruger skal sørge for at få faglig korrekt og praktisk instruktion i brugen af maskinen, før den tages i brug første gang. Brugeren skal instrueres i sikker brug af maskinen af sælgeren eller en anden fagmand.

I forbindelse med denne instruktion skal brugeren især gøres opmærksom på, at arbejdet med maskinen kræver den største omhu og koncentration.

Selvom du betjener denne maskine efter forskrifterne, er der altid restriksi.



Livsfare på grund af kvælning!

Børn, der leger med emballagematerialet, risikerer at blive kvalt i det.

Emballagemateriale SKAL holdes væk fra børn.

Giv eller udlån kun maskinen samt påbygningsmaskinerne til personer, der er instruerede heri, eller som er fortrolige med betjeningen af den.

Betjeningsvejledningen er en del af maskinen og skal altid følges med.

Maskinen må kun anvendes af personer, der er udhvilede og i god fysisk og psykisk stand. Er du ikke helt rask, bør du spørge din læge, om du må arbejde med maskinen. Undlad at arbejde med maskinen efter indtagelse af alkohol, narkotika eller medicin, der nedsætter reaktionsevnen.

Kontrollér, at brugeren fysisk, sensorisk og mentalt er i stand til at betjene maskinen og arbejde med den. Hvis brugeren fysiske, sensoriske eller mentale evner er nedsatte, må brugeren kun arbejde med plæneklipperen under opsyn eller efter anvisninger fra en ansvarlig person.

Kontrollér, at brugeren er myndig eller er under uddannelse i henhold til de nationale regler og under opsyn.

OBS – risiko for ulykker!

Jordfræseren må kun bruges til jordarbejde såsom såning, dyrkning eller pleje af planter. Den må kun anvendes som beskrevet i denne betjeningsvejledning – undlad uhensigtsmæssig brug! Den må ikke anvendes til andre formål, da det kan være farligt. Der er risiko for personskade eller skader på maskinen.

Jordfræseren må pga. risiko for personskade ikke anvendes til følgende arbejder (ikke komplet opstilling):

- Arbejde på tage og i altankasser,
- granulering og findeling af grene og hækkeklip.

Der må ikke transporteres ting, dyr eller personer med maskinen.

Af hensyn til sikkerheden bortfalder denne garanti ved enhver ændring på maskinen, undtagen ved en faglig korrekt montering af tilbehør, som er godkendt af STIHL. Du kan få mere at vide om godkendt tilbehør hos din STIHL-forhandler.

Det er ikke tilladt at foretage ændringer på maskinen, som ændrer forbrændingsmotorens eller el-motorens effekt eller omdrejningstal.

Vær specielt forsigtigt ved anvendelse i offentlige anlæg, parkanlæg, på sportspladser, ved veje samt i land- og skovbrug.



OBS! Vibrationer udgør en sundhedsfare! For stor belastning pga. vibrationer kan medføre kredsløbs- eller nerveskader, især hos mennesker med kredsløbsproblemer. Opsøg straks læge, hvis der opstår symptomer, som kan være udløst af vibrationsbelastninger. Sådanne symptomer, der primært opstår i fingrene, hænderne eller i håndleddene, er f.eks. (ikke komplet opstilling):

- Følelsesløshed
- Smerter
- Muskelsvaghed
- Misfarvninger af huden
- Ubehagelig kriblen

Hold styrehåndtaget fast, men ikke krampagtigt, med begge hænder på de beregnede stedet på håndtaget under kørslen.

Planlæg arbejdstiderne således, at større belastninger i længere tid undgås.

Ved anvendelsen af jordfræseren skal du planlægge arbejds pauser og undgå for lange arbejdstider, da længere tid udsættelse for vibrationer kan være sundhedsskadeligt.

4.2 Optankning – omgang med benzin



Livsfare!

Benzin er giftig og meget letantændelig.

Opbevar kun benzin i de dertil beregnede og testede beholdere (dunke). Lukkedækslerne på tankbeholderne skal altid skrues ordentligt på og spændes godt til. Defekte dæksler skal udskiftes af hensyn til sikkerheden.

Anvend ikke vandflasker eller lignende til bortskaffelse eller opbevaring af forbrugsstoffer såsom f.eks. benzin. Det kan ske, at personer, især børn, drikker heraf.



Hold benzin væk fra gnister, åben ild, gløder, varme kilder og andre antændelseskilder. Rygning forbudt!

Tank kun op udendørs, og ryg ikke under påfyldningen.

Stop forbrændingsmotoren, og lad den køle af før tankningen.

Benzin skal påfyldes, før forbrændingsmotoren startes. Åbn ikke tankdækslet, og fyld ikke benzin på, mens forbrændingsmotoren kører, eller maskinen er varm.

Undlad at fylde benzintanken for meget!

For at give benzinen plads til at udvide sig må benzintanken aldrig fyldes op over påfyldningsstudsens nederste kant.

Følg desuden anvisningerne i forbrændingsmotorens betjeningsvejledning.

Hvis benzinen er løbet over, må forbrændingsmotoren ikke startes, før den benzinvædede flade er rengjort. Forsøg ikke at starte motoren, før benzindampene er forsvundet (tør spildt benzin af).

Tør spildt benzin op med det samme.

Hvis der er kommet benzin på tøjet, skal dette skiftes.

Opbevar aldrig maskinen indendørs med benzin i tanken. Afgivne benzindampe kan antændes ved kontakt med åben ild eller gnister.

Hvis tanken skal tømmes, skal det ske i det fri.

4.3 Beklædning og udstyr



Bær altid solide sko med skridsikre såler under arbejdet. Gå aldrig barfodet eller iført sandaler.



Bær altid solide handsker, og bind langt hår op (tørklæde, hue etc.) under vedligeholdelses- og rengøringsarbejder samt under transport af maskinen.





Vær altid iført tøj, der passer til arbejdet med maskinen og som sidder tæt til kroppen, dvs. kedeldragter og ingen arbejdsjakker. Under arbejdet med maskinen må du ikke bære sjal, slips, smykker, hængende snore eller lignende samt løse beklædningsstykker.

De roterende dele kan berøre eller få fat i hår, tøj eller beklædningsdele. Dette kan medføre alvorlige kvæstelser.

4.4 Transport af maskinen

Anvend altid handsker under arbejdet for at undgå at komme til skade på varme maskindele eller de skarpe kanter.

Transporter aldrig maskinen med igangsat forbrændingsmotor. Sluk for forbrændingsmotoren før transport, lad værktøjet standse, og træk tændrørshætten af.

Transporter kun maskinen, når forbrændingsmotoren er kold og uden benzin.

Følg især henvisningerne i kapitlet "Transport". Her beskrives, hvordan maskinen skal løftes eller fastsures. (⇒ 13.)

Der skal altid være to personer til at bære maskinen – vær opmærksom på holdepunkter.

Anvend egnede hjælpemidler til læsning (læsseramper eller løfteanordninger).

Af sikkerhedsmæssige årsager må maskinen ved transport og af- og pålæsning, især ved brug af rampe, ikke vippes mere end 15°.

Fastgør maskinen og medtransporterede dele ved transport på et lad ved hjælp af tilstrækkeligt dimensionerede hjælpemidler (seler, reb osv.). Transporter aldrig maskinen uden at fastspænde den korrekt.

STIHL anbefaler, at jordfræsere transporteres med en egnet anhænger eller på en egnet læsseflade og ikke i kabinen (f.eks. i bagagerummet).

Under en transport af maskinen skal gældende forskrifter overholdes, især hvad angår ladningens sikkerhed samt transport af ting på lastarealet.

4.5 Før arbejdet påbegyndes

Kontrollér, at det kun er personer, som har læst betjeningsvejledningen, der anvender maskinen.

Før maskinen tages i brug, skal det kontrolleres, om benzinsystemet er tæt; kontrollér navnlig de synlige dele som f. eks. tank, tankdæksel, slangeforbindelser. Ved utætheder eller beskadigelse, må forbrændingsmotoren ikke startes – **Brandfare!** Få maskinen repareret af forhandleren, før den tages i brug.

Vær opmærksom på kommunale forskrifter for anvendelsestider for havemaskiner med forbrændingsmotor.

Undersøg hele det areal, hvor maskinen skal anvendes, og fjern store sten, kæppe, ståltråd, kødben og alle andre fremmedlegemer, som kan blive slynget væk af maskinen.

Kør udenom ting, der er skjult i jorden (vandingssystemer, pæle, vandventiler, fundamenter, elektriske ledninger osv.) og

marker disse tydeligt, før arbejdet med maskinen påbegyndes. Kør aldrig over sådanne objekter.

Før maskinen tages i brug, skal defekte, slidte og beskadigede dele udskiftes. Ulæselige eller beskadigede fare- og advarselsanvisninger på maskinen skal udskiftes. Din STIHL-forhandler har ekstra skilte og alle andre reservedele på lager.

Før maskinen tages i brug, skal du kontrollere, at tændrørshætten sidder fast og sikkert på tændrøret.

Maskinen må kun anvendes i driftssikker tilstand. Kontrollér før hver brug,

- om hele maskinen er i forskriftsmæssig monteret tilstand.
- om sikkerhedsudstyret (f. eks. motorgreb, beskyttelseskiver, beskyttelsesdæksler, beskyttelseskapper, styrehåndtag, beskyttelsesgitter) er i orden og fungerer korrekt. Brug aldrig maskinen, hvis beskyttelsesanordningerne mangler, er beskadigede eller er slidte.
- om værktøjet (fræsestjernerne) og fastspændingsboltene samt splitter er monteret eller slidt op eller ødelagte (hakker, ridser). Slidte eller beskadigede dele skal udskiftes.
- om værktøjet (fræsestjerner) er sikkert og fast monteret.
- om motorgrebene fungerer og går let.
- om tankdækslet er skruet korrekt på,
- om tanken og benzinførende komponenter samt tankdækslet er i orden,
- om olielukkeskruen er skruet korrekt på.

- om det anvendte tilbehør er monteret fuldstændigt på maskinen i forskriftsmæssig stand. Alle komponenter, der medfølger ved leveringen af tilbehøret, skal monteres og anvendes.

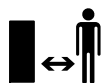
Udfør alt nødvendigt arbejde, eller kontakt en forhandler. STIHL anbefaler en STIHL-forhandler.

Beskyttelsesskiverne til venstre og til højre er afstemt efter den pågældende arbejdsbredde og skal altid være monteret korrekt. Hvis arbejdsbredden på modellerne MH 445 og MH 445 R udvides med ekstra fræsestjerner (STIHL tilbehør), er det også nødvendigt at montere de store beskyttelsesskiver (medfølger ved levering af tilbehøret).

Maskinen skal skubbes eller trækkes med transporthjulene hen til den flade, der skal bearbejdes.

Fjern alle genstande, som ligger på maskinen, før den tages i brug (værktøj, klude osv.).

4.6 Under arbejdet



Der må ikke være uvedkommende i fareområdet! Brug aldrig maskinen, når der er dyr eller personer, især børn, i fareområdet.

OBS! – Under arbejdet er der risiko for, at genstande såsom jordklumper, sten osv. slynges op eller ud til siden.

Maskinen må kun betjenes af én person. Når forbrændingsmotoren kører, skal brugeren opholde sig i arbejdsområdet. (⇒ 10.1)

Når maskinen er i brug, må den aldrig løftes, skubbes eller trækkes ved hjælp af transportgrebet, beskyttelsespladen eller andre maskinkomponenter med undtagelse af holdegrebene på styrehåndtaget – og særligt ikke af mere end én person.

De kontakter og sikkerhedsanordninger, som er installeret på maskinen, må ikke fjernes eller kortsluttes. Fastgør aldrig motorgrebet på styrehåndtagets øverste del (f. eks. ved at binde det fast).



OBS – fare for kvæstelser!
Hænder og fødder skal holdes væk fra roterende dele. Den sikkerhedsafstand, som styrehåndtaget giver, skal altid overholdes. Sikkerhedsafstanden svarer til længden på det korrekt monterede og udklappede styrehåndtag – styrehåndtaget må ikke ændres, og maskinen må aldrig tages i brug med nedklappet styrehåndtag.

Fastgør aldrig ting til styrehåndtaget (f.eks. arbejdstøj).

Arbejd kun i dagslys eller med god kunstig belysning.

Der må ikke arbejdes med maskinen i regnvejr, tordenvejr, og især ikke når der er risiko for lynnedslag.

Er undergrunden våd, er der større risiko for uheld pga. dårligere fodfæste.

Arbejd ekstra forsigtig her, så du ikke skrider ud. Undgå om muligt at anvende maskinen, hvis undergrunden er fugtig.

Maskinen må ikke sættes i gang på asfalt, flisegulv osv. med påmonterede fræsestjerner.

Anvend maskinen særligt forsigtigt, når du arbejder i nærheden af skråninger, terrænkanter, lossepladser, grøfter, diger og dæmninger. Sørg især for at holde rigelig afstand til sådanne farlige steder.

Udstødningsgasser:



Livsfare – forgiftningsfare!

Stop arbejdet med det samme ved kvalme, hovedpine, synsforstyrrelser (f.eks. mindre synsfelt), høreproblemer, svimmelanfald, svigtende koncentrationsevne. Disse symptomer kan bl.a. være forårsaget af for høje koncentrationer af udstødningsgas.



Maskinen afgiver giftige udstødningsgasser, når forbrændingsmotoren kører. Disse gasser indeholder giftig kullilte, en farve- og lugtfri gas, samt andre skadelige stoffer. Forbrændingsmotoren må aldrig tages i brug i lukkede eller dårligt udluftede rum.

Vær opmærksom på udstødningsgassernes retning ved udstødningsrøret. Ret aldrig udstødningsrøret mod en person.

Start:

Start maskinen forsigtigt iht. anvisningerne i kapitlet "Tag maskinen i brug" (⇒ 11.). Når der startes iht. anvisningerne, mindskes risikoen for kvæstelser.

Risiko for kvæstelser!

Når startkablet kører tilbage hurtigt, kan hånden og armen blive trukket i retning af forbrændingsmotoren hurtigere, end startkablet kan slippes. Dette tilbageslag kan medføre knoglebrud, knusninger og forstuvninger.

Sørg for rigelig afstand mellem fødder og arbejdsværktøj.

Maskinen må ikke vippes, når den startes.

Motorgrebene må ikke betjenes, når motoren startes.

Arbejde på skråninger:

Bearbejd altid skråningerne på tværs og aldrig på langs.

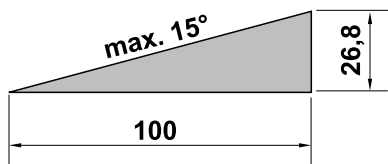
Brugeren må aldrig stå under den kørende maskine på en skrænt. Ellers er der risiko for, at brugeren køres over, hvis denne mister kontrollen.

Vær ekstra forsigtig, når køreretningen på skråningen ændres.

Sørg altid for et godt fæste på skråninger, og undgå at arbejde på meget stejle skråninger.

Maskinen kan vælte, når den anvendes på skrænter. Af sikkerhedsmæssige årsager må maskinen ikke anvendes på skråninger på over 15° (26,8 %). **Risiko for kvæstelser!**

En hældning på 15° svarer til en lodret stigning på 26,8 cm over en vandret længde på 100 cm.



For at sikre tilstrækkelig smøring af forbrændingsmotoren skal anvisningerne i den medfølgende betjeningsvejledning til forbrændingsmotoren også følges, når maskinen anvendes på skråninger.

Anvendelse:



Risiko for kvæstelser!

Hold eller før aldrig hænder og fødder mod, over eller under de roterende dele.

Placer altid begge hænder på styrehåndtaget under driften af hensyn til sikkerheden. Arbejd aldrig med kun en hånd.

Arbejdsdybden reguleres kun med tryk på jordspyddet.

Vær særligt forsigtig ved brug af maskinen på underlag, der er vanskelige af bearbejde (f.eks. stenet eller hård jord) – reducer værktøjets rotationshastighed (gasregulering).

Kør kun med maskinen i gangtempo, og løb aldrig med maskinen under arbejdet. Ved at køre hurtigt øges risikoen for at komme til skade ved at snuble, skride ud osv.

OBS – fare for kvæstelser!

Vær ekstra forsigtigt og sørg især for tilstrækkelig afstand mellem værktøjet (fræsestjerner) og dine fødder, når apparatet skal vendes, trækkes mod dig eller ved modeller med bakgear.

OBS – snublefare!

Udvis særlig opmærksomhed på forhindringer bag brugeren ved baglæns kørsel.

Hvis maskinen er kørt fast, standses forbrændingsmotoren, og tændrørshætten trækkes af. Maskinen løftes og frigøres af to personer.

Standt forbrændingsmotoren,

- hvis maskinen skal vippes i forbindelse med transport,

- når maskinen skubbes eller trækkes til eller fra den græsplæne, der skal bearbejdes,

- når maskinen forlades eller står uden opsyn,

- før der fyldes benzin på. Må kun tankes op, når forbrændingsmotoren er kold.

Brandfare!

- når maskinen skubbes eller trækkes til en græsplæne, der ikke skal bearbejdes.

Standt forbrændingsmotoren, og træk tændrørshætten af,

- før blokeringer fjernes,

- før du løfter og bærer maskinen,

- før du transporterer maskinen,

- før maskinen kontrolleres, rengøres, eller der udføres andet arbejde på den (f. eks. justering af styrehåndtaget, udklappning af transportstativet),

- hvis plæneklipperen ramte et fremmedlegeme, eller hvis maskinen ryster usædvanlig voldsomt. I disse tilfælde skal du kontrollere maskinen, især værktøjet (fræsestjerner, fræsestjernefastgørelse, drivaksel) for beskadigelser, og få maskinen repareret, før den genstartes, og der arbejdes med den.



Risiko for kvæstelse!

Kraftige vibrationer indikerer som regel en fejl.

Jordfræseren må under ingen omstændigheder bruges med en beskadiget eller bøjet drivaksel eller med beskadiget værktøj. Har du ikke nok viden herom, skal maskinen repareres af en forhandler – STIHL anbefaler en STIHL-forhandler.

4.7 Vedligeholdelse og reparation

Før rengørings-, indstillings-, reparations- og vedligeholdelsesarbejde:

- Placer maskinen på et plant og fast underlag.
- Stop forbrændingsmotoren, og lad den køle af.
- Træk tændrørshætten ud.



OBS – fare for kvæstelser!

Hold tændrørshætten på afstand af tændrøret, da en utilsigtet tændgnist kan medføre brand eller give elektriske stød. Utilsigtet kontakt mellem tændrøret og tændrørshætten kan føre til, at forbrændingsmotoren starter utilsigtet.

Maskinen må kun lægges ned på bagsiden til rengørings- eller vedligeholdelsesarbejder. Læg aldrig maskinen om på siden eller på forsiden, da der kan derved kan ske skader på forbrændingsmotoren og andre maskinkomponenter, hvilket kan medføre dyre reparationer.

Maskinen skal især køle af, før vedligeholdelsesarbejde på gearkassen, forbrændingsmotoren,

udstødningsmanifolden og lyddæmperen. Temperaturerne kan komme op på 80° C og mere. **Risiko for forbrændinger!**

Direkte kontakt med motorolie kan være farlig; motorolie må heller ikke spildes. STIHL anbefaler, at påfyldning og udskiftning af motorolie udføres af en STIHL-forhandler.

Kontroller hele maskinen for slid og beskadigelser regelmæssigt, især før den skal opbevares (f.eks. før vinterpausen). Slidte og beskadigede dele skal udskiftes med det samme af hensyn til sikkerheden, så maskinen altid er i driftssikker tilstand.

Rengøring:

Efter arbejdet skal hele maskinen gøres grundigt ren. (⇒ 12.2)

Eventuelle rester løsnes med en træpind. Rengør maskinens underside med en børste og vand.

Brug ikke aggressive rengøringsmidler. Disse kan beskadige kunststof- og metaldelene og gøre brugen af din STIHL-maskine mindre sikker.

Maskinens underside (alle komponenter under beskyttelsespladen) kan rengøres med en damprenser. Ved anvendelse af en højtryksrenser skal du bevare en afstand på mindst 1 m og aldrig rette vandstrålen direkte mod lejesøler og pakninger – særligt ikke mod pakningen mellem gearkassehuset og beskyttelsespladen.

For at undgå brandfare skal området omkring køleluftåbningerne, køleribberne og udstødningsrøret holdes fri for f.eks. græs, strå, mos, blade og udtrængende fedt.

Vedligeholdelsesarbejder:

Det er kun tilladt at udføre de vedligeholdelsesarbejder, der er anført i denne betjeningsvejledning; alt andet arbejde skal udføres af en forhandler. Hvis du ikke har tilstrækkelig viden herom eller mangler de nødvendige hjælpemidler, bedes du **altid** henvende dig til en forhandler.

STIHL anbefaler, at alle vedligeholdelsesarbejder og reparationer udelukkende udføres af en STIHL-forhandler.

STIHL-forhandlerne tilbydes jævnligt kurser og får stillet teknisk materiale til rådighed.

Anvend kun værktøj, tilbehør eller påbygningsmaskiner, som er godkendt af STIHL til maskinen eller teknisk lignende produkter. I modsat fald er der risiko for ulykker med personskader eller skader på maskinen til følge. Kontakt en forhandler, hvis du har spørgsmål.

Originalt værktøj og tilbehør samt originale reservedele fra STIHL er tilpasset optimalt til maskinen og brugerens behov. Originale STIHL-reservedele kendes på STIHL-reservedelsnummeret, på graveringen STIHL samt på STIHL-reservedelssymbolet. Symbolet kan også stå alene på mindre dele.

Af sikkerhedsgrunde skal brændstofførende komponenter (benzinslange, benzinhane, benzintank, tankdæksel, tilslutninger osv.) jævnligt kontrolleres for skader og utætheder, og udskiftes efter behov af en fagmand (STIHL anbefaler en STIHL-forhandler).

Sørg for, at advarsels- og henvisningsskilte er rene og læselige. Beskadigede eller bortkomne skilte skal udskiftes med nye originale skilte fra din

STIHL-forhandler. Udskiftes en komponent med en ny, skal det sikres at den nye del forsynes med det samme skilt som den gamle.

Sørg for at alle møtrikker, bolte og skruer er fast tilspændte, så det er sikkert at bruge maskinen.

Forbrændingsmotorens grundindstilling må aldrig ændres, og kør den ikke med et for højt omdrejningstal.

Hvis der i forbindelse med vedligeholdelsesarbejdet har været fjernet komponenter eller beskyttelsesanordninger, skal disse omgående anbringes korrekt.

Ved udskiftning af værktøjet (fræsestjerner) skal du være opmærksom på fræsestjernetypen og fræsestjerner kombinationen – der må kun anvendes varianter, der er godkendt af STIHL.

4.8 Opbevaring, hvis maskinen ikke skal bruges i længere tid

Lad forbrændingsmotoren køle af, før maskinen stilles i et lukket rum.

Opbevar maskinen med tom tank og brændstoffunken i et lukket og godt udluftet rum.

Kontrollér, om maskinen er beskyttet mod utilsigtet brug (f. eks. fra børn).

Opbevar aldrig maskinen indendørs med benzin i tanken. Afgivne benzindampe kan antændes ved kontakt med åben ild eller gnister.

Skal tanken tømmes, f.eks. ved klargøring til vinteren, bør dette ske udendørs (tøm evt. tanken ved at lade forbrændingsmotoren køre udendørs).

Maskinen skal gøres grundigt ren før pauser (f.eks. vinterpause).

Maskinen må kun opbevares med aftrukket tændrørshætte.

Opbevar maskinen i en driftssikker tilstand.

Lad maskinen køle helt af, før den dækkes til.

4.9 Bortskaffelse

Affaldsprodukter, såsom gammel olie eller benzin, brugt smøremiddel, filtre, batterier og lignende sliddele kan være til skade for mennesker, dyr og miljøet og skal derfor bortskaffes korrekt.

Kontakt genbrugsstationen eller forhandleren for at få oplyst, hvordan affaldsprodukterne bortskaffes korrekt. STIHL anbefaler en STIHL-forhandler.

Sørg for korrekt bortskaffelse af den brugte maskine. Følg henvisningerne i kapitlet "Miljøbeskyttelse". (⇒ 14.)

5. Symbolforklaring



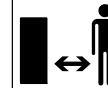
OBS! – Risiko for kvæstelser!



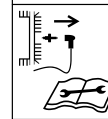
Læs betjeningsvejledningen og sikkerhedshenvisningerne inden ibrugtagningen.



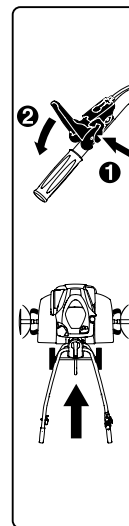
Roterende værktøj: Hænder og fødder holdes væk fra roterende værktøj. Arbejd kun med påmonterede beskyttelseskapper.



Overhold sikkerhedsafstanden.

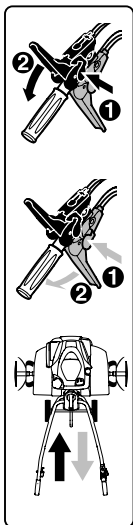


Træk tændrørshætten af før vedligeholdelses- og rengøringsarbejder.



MH 445:

Af sikkerhedsmæssige årsager skal du først trykke på afsikringshåndtaget, før du betjener motorgrebet. Der ved undgås utilsigtet betjening af motorgrebet.



MH 445 R, MH 560, MH 585, MH 685:

Af sikkerhedsmæssige årsager skal du først trykke på afsikringshåndtaget, før du betjener motorgrebet. Der ved undgås utilsigtet betjening af motorgrebet. Det sorte motorgreb sætter maskinen i fremadgående gear, det røde motorgreb sætter den i bakgear.



Risiko for forbrændinger!

Rør ikke de varme overflader.
Gearkassehuset bliver varmt.

6. Medfølgende dele



Pos.	Betegnelse	Stk.
A	Basismaskine	1
B	Styrehåndtag	1
C	Spændegreb	1
D	Transportstativ	1
E	Jordspyd	1
F	Beskyttelsesskive til venstre	1

Pos.	Betegnelse	Stk.
G	Beskyttelsesskive til højre	1
H	MH 445, MH 445 R: Fræsestjerne	4
I	MH 560, MH 585, MH 685: Fræsestjerne, dobbelt	2
J	MH 585, MH 685: Fræsestjerne, enkelt	2
K	Beskyttelsesring	2
L	Beskyttelsesskive til planter	2
M	Motorgreb (Fremad) sort	1
N	MH 445 R, MH 560, MH 585, MH 685: Motorgreb (Bagud) rød	1
O	MH 445: Låsemøtrik M6	1
P	MH 445: Afskærmning	1
Q	Låsemøtrik M6	1
R	Fladrundbolt M6	1
S	MH 445, MH 445 R, MH 585, MH 685: Klapsplit 10x40 MH 560: Klapsplit 10x40	6
T	Fladrundbolt M8	4
U	Sekskantmøtrik M8	2
V	Ledningsstrip	2
–	Betjeningsvejledning	1
–	Betjeningsvejledning Forbrændingsmotor	1
–	MH 560, MH 585, MH 685: Tændrørnsøgle	1

7. Klargøring af maskinen

7.1 Monteringsanvisning



Risiko for kvæstelse!

Følg sikkerhedsanvisningerne i kapitlet "Sikkerhed". (⇒ 4.) Husk at trække tændrørshætten af, og bær handsker ved alle typer arbejdsopgaver ved fræsestjerne.

Overhold angivelser om drejningsmoment!

Træk og monter kun drivkabler og gaskabel som beskrevet. Forkert monterede kabeltræk (f.eks. forkert trækning eller montering i forkert motorgreb) kan medføre fejlfunktioner.

- Stil maskinen på et rent, vandret, plant og fast underlag ved udførelsen af de beskrevne arbejdsopgaver.
- Overhold monteringspositioner – sørg altid for, at maskinen står stabilt og sikkert.
- Følg anvisningerne om kabeltrækmontering nøje, særligt anvisningen om at fastgøre alle kabeltræk med **ledningsstrips** på styrehåndtaget for at undgå at beskadige maskinen (f.eks. når styrehåndtaget klappes om) eller at undgå mulige fejlfunktioner.

Motorgreb, drivkabler

MH 445:

- Det sorte motorgreb på oversiden af styrehåndtaget.

- Et drivkabel (fremad).

MH 445 R, MH 560, MH 585, MH 685:

- Det sorte motorgreb på oversiden af styrehåndtaget.
- Rødt motorgreb på undersiden af styrehåndtaget.
- Et drivkabel (fremad). Kabeltrækket er udstyret med en **sort kappe** og skal monteres på det sorte motorgreb.
- Et drivkabel (bagud). Kabeltrækket er udstyret med en **rød kappe** og skal monteres på det røde motorgreb.

7.2 Montering af undervogn



- Monteringsposition:
Vip basismaskinen (A) om, som vist på billedet, for at stabilisere de to drivaksler, og læg egnede træklodser (1) (højde 50 - 60 mm, bredde/længde ca. 100 mm) under.
- **1** Tryk klipsen (2) op og hold.
- **2** Før transportstativet (D) ind i udsparingen (3) på bolten på afsikringshåndtaget (4).
- Tryk transportstativet (D) helt op og hold.
- **3** Tryk klipsen (2) ned. Før skruer (T) ind nedfra i begge sider.
- **4** Fastgør klipsen (2) ved at dreje de to møtrikker (U) på.

7.3 Montering af jordspyddet



- Monteringsposition:
se "Montering af undervogn" (⇒ 7.2)
- Tryk afsikringsbolten (1) ned og hold.

- Før jordspyddet (E) nedfra ind i adapteren (2), og skub den helt op.
- Slip afsikringsbolten (1), og træk jordspyddet (E) ned til det går i hak.
- Kontrollér, at jordspyddet (E) sidder godt fast.

7.4 Montér styrehåndtag



- **1** Monteringsposition:
se "Montér undervogn" (⇒ 7.2)
- Tag gummibåndet (1) af.
- **2** Løft og hold konsollen (2).
- **3** Før styrehåndtaget (B) midtfor imellem konsollen (2) og styrehåndtagets nederste del (3) og hold. Fjederens vinkler (4) skal gå langs med låsemekanismen (5) som vist på billedet.
Kontrollér den viste position for fjederen (4) i justeringselementet (6), hægt om nødvendigt fjederen i.
- **4** Spænd skruen (7).
- **5** Drej møtrikken (8) på spændegrebet (C), og tag den og fjederen (9) ud.
- Skub spændegrebet (C) med den integrerede skrue igennem konsollen (2) og styrehåndtagets nederste del (3) oppefra. Skub fjederen (9) på spændegrebet (C). Drej møtrikken (8) en til to omdrejninger ind.



OBS!

Montér spændegrebet (C), så det skal trykkes fremad mod forbrændingsmotoren, når det skal spændes.

- **6** Vælg styrehåndtagets øverste dels (3) centrale position. (⇒ 11.3)

- Tryk spændegrebet (C) fremad med hånden.
- Skru møtrikken (8) ind med 5 Nm (ikke helt ind).
- Kontrollér klemning:
Spændegrebet (C) er monteret korrekt, hvis spændegrebet kan aktiveres med hånden, og styrehåndtaget sidder godt fast på basismaskinen.
- Efterjustering af spændekraften:
Foretag nedenstående trin, hvis styrehåndtaget ikke klemmes tilstrækkeligt, eller hvis spændegrebet ikke kan betjenes med hånden: Løsn spændegrebet, og efterjuster spændekraften ved at dreje møtrikken (8) ind eller ud.
Tryk derefter spændegrebet fremad igen.



Risiko for kvæstelser!

Maskinen må kun skubbes frem og tilbage, hvis styrehåndtaget sidder godt fast på basismaskinen (styrehåndtaget må ikke være løst, når det er spændt).

7.5 Klap styrehåndtaget op



- Træk spændegrebet (1) opad. Klap styrehåndtagets øverste del (2) opad i pilens retning.
- Tryk spændegrebet (1) helt frem.
- Indstil styrehåndtagets højde. (⇒ 11.2)

7.6 Montering af beskyttelsesskiverne



- Kontrollér for monterede skruer (1) i beskyttelsesskiverne (F, G) – må ikke drejes helt ud.

- Stil jordfræseren i rengøringspositionen. (⇒ 12.2)
- Før venstre beskyttelsesskive (F) med de tre formonterede skruer (1) ind i de tre borer (2) på beskyttelsespladen.
- Skub beskyttelsesskiven (F) fremad, og hold den.
- Skru skruerne (1) i, og spænd til med 10 - 12 Nm.
- Kontrollér, om beskyttelsesskiven (F) sidder korrekt, og monter derefter højre beskyttelsesskive (G) på samme måde.

7.7 Montering af fræsestjerne MH 445, MH 445 R



- Stil jordfræseren i rengøringspositionen. (⇒ 12.2)



Følg monteringsvejledningen nøje. Vær særligt opmærksom på rækkefølgen, og monter beskyttelsesringe, fræsestjerner og klapsplitter fuldstændigt som beskrevet. Ved monteringen af klapsplitten skal den afbildede isætningsretning og låsebøjlsens forløb overholdes nøjagtigt. Ved forkert eller omvendt monteringen kan klapsplitten med tiden løsne sig og gå tabt.

En godt resultat kræver, at fræsestjernernes skær vender fremefter (ikke mod styrehåndtaget) – bemærk pilmarkeringer.

Fræsestjernedefinition:

- Fræsestjerne (1): akselholderen (2) skal have en ensartet stor udvendig diameter.

- Fræsestjerne (3): akselholderen (4) skal ikke have en ensartet stor udvendig diameter.

1

- Skub beskyttelsesringen (K) helt ind på drivakslens (5). Beskyttelsesringens udsparinger skal gå i hak i de tre låsetappe på gearkassehuset (6).
- Placer fræsestjernen (1) på en sådan måde, at den **kortere** akselholder (2) peger mod gearkassehuset og med skærene (7) vendt fremefter. Pilene (8) på fræsestjernen og pilen (9) på gearkassehuset (6) skal pege i den samme retning.

- Skub fræsestjernen (1) på drivakslens (5).
- Drej fræsestjernen (1) på en sådan måde, at borerne på akselholderen og drivakslens stemmer overens.

2

- Stik klapsplitten (S) gennem hullerne, og klap låsebøjlen ned.

3

- Placer fræsestjernen (3) på en sådan måde, at den **mindre** udvendige diameter på akselholderen (4) peger mod den allerede monterede fræsestjerne (1) og med skærene (7) vendt fremefter. Pilene (8) på fræsestjernen og pilen (9) på gearkassehuset (6) skal pege i den samme retning.
- Før fræsestjernen (3) ind i den allerede monterede fræsestjerne (1).
- Drej fræsestjernen (3) på en sådan måde, at borerne på de to fræsestjerner stemmer overens.

4

- Stik klapsplitten (S) gennem hullerne, og klap låsebøjlen ned.
- Monter om nødvendigt beskyttelsesskive til planter. (⇒ 7.9)
- Gentag fræsestjernemonteringen på den anden side.

7.8 Montering af fræsestjerne MH 445, MH 585, MH 685



- Stil jordfræseren i rengøringspositionen. (⇒ 12.2)



Følg monteringsvejledningen nøje. Vær særligt opmærksom på rækkefølgen, og monter beskyttelsesringe, fræsestjerner og klapsplitter fuldstændigt som beskrevet. Ved monteringen af klapsplitten skal den afbildede isætningsretning og låsebøjlsens forløb overholdes nøjagtigt. Ved forkert eller omvendt monteringen kan klapsplitten med tiden løsne sig og gå tabt.

En godt resultat kræver, at fræsestjernernes skær vender fremefter (ikke mod styrehåndtaget) – bemærk pilmarkeringer.

Fræsestjernedefinition:

- Fræsestjerne (I): dobbeltradede fræsestjerne.
- Fræsestjerne (J): enkeltradede fræsestjerne.

1 MH 560, MH 585, MH 685

- Skub beskyttelsesringen (K) helt ind på drivakslens (1). Beskyttelsesringens udsparinger skal gå i hak i de tre låsetappe på gearkassehuset (2).

- Placer fræsestjernen (I) på en sådan måde, at den **korte** akselholder (3) peger mod gearkassehuset og med skærene (4) vendt fremefter. Pilene (5) på fræsestjernen og pilen (6) på gearkassehuset (2) skal pege i den samme retning.

- Skub fræsestjernen (I) på drivakslen (1).

- Drej fræsestjernen (I) på en sådan måde, at borerne på akselholderen og drivakslen stemmer overens.

2 MH 560, MH 585, MH 685

- Stik klapsplitten (S) gennem hullerne, og klap låsebøjlen ned.

3 MH 585, MH 685

- Placer fræsestjernen (J) på en sådan måde, at den **mindste** udvendige diameter på akselholderen (7) peger mod den allerede monterede fræsestjerne (I) og med skærene (4) vendt fremefter. Pilene (5) på fræsestjernen og pilen (6) på gearkassehuset (2) skal pege i den samme retning.

- Før fræsestjernen (J) ind i den allerede monterede fræsestjerne (I).

- Drej fræsestjernen (J) på en sådan måde, at borerne på de to fræsestjerner stemmer overens.

4 MH 585, MH 685

- Stik klapsplitten (S) gennem hullerne, og klap låsebøjlen ned.

MH 560, MH 585, MH 685

- Monter om nødvendigt beskyttelseskive til planter. (⇒ 7.9)
- Gentag fræsestjernermonteringen på den anden side.

7.9 Montering af beskyttelseskiven til planter



Ved monteringen af klapsplitten skal den afbildede isætningsretning og låsebøjlels forløb overholdes nøjagtigt. Ved forkert eller omvendt monteringen kan klapsplitten med tiden løsne sig og gå tabt.

- Sæt beskyttelseskiven til planterne (L) på den udvendige fræsestjerne. Drej beskyttelseskiven til planterne på en sådan måde, at skivens og fræsestjernens borer stemmer overens.
- Stik klapsplitten (S) gennem hullerne, og klap låsebøjlen ned.
- Gentag dette på den anden side.

7.10 Montering af motorgrebet



- Læs monteringsanvisning. (⇒ 7.1)
- Sæt det sorte motorgreb (M) med den integrerede skrue (1) på styrehåndtagets øverste del oppefra gennem boringen.
- MH 445: Skru låsemøtrikken (O) på, og spænd til med 7 - 9 Nm. Sæt afdækningen (P) på.
- MH 445 R, MH 560, MH 585, MH 685: Placer det røde motorgreb (N) således, at skruen til det sorte greb kan skrues i den møtrik, der er integreret i det røde greb. Tryk det røde motorgreb (N) opad mod styrehåndtaget. Skru skruen (1) i, og spænd til med 7 - 9 Nm.

7.11 Udlægning af drivkablet



- Læs monteringsanvisning. (⇒ 7.1)
- **1** Drivkablet (fremad) (1) skal vikles ud og hægtes i holderen (2).
- **2** Spænd møtrikken (3) med 2 - 4 Nm.
- Drivkablet (fremad) (1) skal føres oppefter som vist:
 - A** Drivkablet (fremad) (1) skal føres over styrehåndtagets øverste del (4).
 - B** Drivkablet (fremad) (1) skal føres under tværstiveren (5) på styrehåndtagets øverste del.
- MH 445 R, MH 560, MH 585, MH 685: Træk drivkablet (bagud) (6) på højre side af forbrændingsmotoren under omstyringsgrebet (7). Kabeltrækket skal som drivkablet (fremad) føres opad ved styrehåndtaget.

7.12 Påhægtning af drivkablet



- Læs monteringsanvisning. (⇒ 7.1)

Drivkabel (fremad):

- Før kabeltrækkets nippel (1) med den sorte kappe (2) ind i det sorte motorgreb (M).
- Før niplen (1) gennem åbningen (3) på grebet (4). Anvend om nødvendigt en egnet tang.
- Træk i niplen (1) med en egnet tang, og hæng den ind i grebet (4) som vist på billedet.
- Tryk kappen (2) på motorgrebet (4), og lad den gå i indgreb.

- **Funktionskontrol:**
Betjen motorgrebet. (⇒ 8.2)
Motorgrebet skal gå let.

Drivkabel (bagud)

MH 445 R, MH 560, MH 585, MH 685:

- Før kabeltrækkets nippel med den røde kappe ind i det røde motorgreb.
- Resten af monteringen udføres analogt som for monteringen af drivkablet (fremad).

7.13 Udlægning og montering af gaskablet



- Læs monteringsanvisning. (⇒ 7.1)
- Gaskablet (1) skal vikles ud og føres på følgende måde:
A Før gaskablet op over styrehåndtagets øverste del (2).
B Før gaskablet op under tværstiveren (3) på styrehåndtagets øverste del.
- Sæt skruen (T) ind i gaskabelkabinettets boring (4). Sæt gaskabelkabinettet med den monterede skrue på styrehåndtagets øverste del indefra, og hold det. Skru låsemøtrikken (U) på, og spænd til med 7 - 9 Nm.

7.14 Fastgøring af kabeltræk på styrehåndtaget



- Læs monteringsanvisning. (⇒ 7.1)
- MH 445:
Fastgør drivkablet (1) med en ledningsstrip (V) på højre side af styrehåndtagets øverste del.

- MH 445 R, MH 560, MH 585, MH 685:
Fastgør begge drivkabler (1, 2) med en ledningsstrip (V) på højre side af styrehåndtagets øverste del.

- Fastgør gaskablet (3) med en ledningsstrip (V) på venstre side af styrehåndtagets øverste del.
- Kontroller, at ledningsstripsen er monteret korrekt. Skær kabelstripsenes overskydende ender af.

7.15 Benzin og motorolie



- **! Undgå at beskadige maskinen!**
Før den første start påfyldes motorolie. Anvend en egnet påfyldningshjælp (f.eks. en tragt) til påfyldningen af motorolien eller til tankning.

Motorolie:

Motorolietypen og oliepåfyldningsmængden er beskrevet i forbrændingsmotorens betjeningsvejledning. Kontroller motoroliestanden regelmæssigt (se betjeningsvejledningen til forbrændingsmotoren).

For lav og for høj oliestand bør undgås. Sørg for, at olietankens dæksel er skruet korrekt på, før forbrændingsmotoren tages i brug.

Benzin:

Anbefaling: frisk mærkevarerbenzin, blyfri benzin. Oplysninger om den nøjagtige benzinkvalitet (oktant) findes i forbrændingsmotorens betjeningsvejledning.



8. Betjeningsdele

8.1 Håndtag til gasindstilling



Forbrændingsmotorens omdrejningstal reguleres med håndtaget til gasindstilling (1).

Startposition:



- Træk gasindstillingens håndtag (1) helt **bagud**.
- Forbrændingsmotoren kan startes. (⇒ 11.6)

Stopposition:



- Træk gasindstillingens håndtag (1) helt **frem (vær opmærksom på låsetrinet)**.
- Forbrændingsmotoren stopper efter nogle få sekunder.

Regulering af omdrejningstallet:

- Flyt gashåndtaget (1), mens forbrændingsmotoren kører.

Motoromdrejningstal:

Hurtig



Langsom



8.2 Motorgreb




Når et motorgreb betjenes (1, 3), til- eller frakobles drevet med kørende forbrændingsmotor – drivakslen begynder at rotere eller stoppes.

Med det **sorte** motorgreb (fremad) (1) sætter jordfræseren sig i **fremadgående** bevægelse, når den har kontakt med underlaget, og når fræsestjerneerne er monteret.

Med det **røde** motorgreb (bagud) (3) sætter jordfræseren sig i **bagudgående** bevægelse, når den har kontakt med underlaget, og når fræsestjerneerne er monteret.

Af sikkerhedsmæssige årsager er motorgrebene spærret mekanisk mod utilsigtet tilslutning. (⇒ 9.1)
Endvidere kan du som følge af en mekanisk sikring ved modellerne MH 445 R, MH 560, MH 585, MH 685 kun trykke ét motorgreb ned ad gangen – enten motorgrebet (fremad) eller motorgrebet (bagud).

 **Undgå at beskadige maskinen!**
Motorgrebet skal betjenes fast og hurtigt og må ikke stå i halv indtrykket position – undgå stor slitage af kileremmen.

Betjen motorgreb (fremad)

- **1** Tryk og hold afsikringshåndtaget (2) mod motorgrebet (fremad) (1).
- **2** Tryk hurtigt motorgrebet (fremad) (1) ind og hold så.
- Slip afsikringshåndtaget (2). Drevet er koblet til, og drivakslen roterer.
- **3** Kobl drevet ud:
Slip motorgrebet (fremad) (1).



Betjen motorgreb (bagud) (MH 445 R, MH 560, MH 585, MH 685):

- **1** Tryk og hold afsikringshåndtaget (4) mod motorgrebet (bagud) (3).



- **2** Tryk hurtigt motorgrebet (bagud) (3) ind og hold så.
- Slip afsikringshåndtaget (4). Drevet er koblet til, og drivakslen roterer.
- **3** Kobl drevet ud:
Slip motorgrebet (bagud) (3).

9. Sikkerhedsanordninger

Maskinen er udstyret med flere sikkerhedsanordninger for at sikre betjeningen og for at beskytte den mod ukorrekt betjening.



Risiko for kvæstelse!

Sikkerhedsanordningerne må ikke fjernes, kortsluttes, ændres eller beskadiges. Fastså en sådan defekt i en af sikkerhedsanordningerne, må maskinen ikke bruges. Kontakt en forhandler, STIHL anbefaler en STIHL-forhandler.

9.1 Låsning af motorgrebet

Af sikkerhedsmæssige årsager er motorgrebene spærret mekanisk mod utilsigtet betjening.

For at et motorgrebet kan betjenes, skal det relevante afsikringshåndtag trykkes ind forinden. (⇒ 8.2)

9.2 Beskyttelsesudstyr

Jordfræseren er udstyret med beskyttelsesudstyr, som forhindrer utilsigtet kontakt med værktøjet og beskytter mod genstande, der kan blive slynget ud af maskinen.

Hertil hører beskyttelsesskiverne i siden, beskyttelsespladen og det korrekte monterede styrehåndtag.

10. Arbejdsanvisninger

10.1 Brugerens arbejdsområde



- Brugerens skal af sikkerhedsmæssige grunde altid opholde sig i arbejdsområdet (gråt område 1) under hele arbejdet (ved kørende forbrændingsmotor).
- Jordfræseren må udelukkende betjenes af en enkelt person, og alle andre tilstedeværende personer skal holde sig på forsvarlig afstand. (⇒ 4.)

10.2 Maskinens arbejdsposition



- Jordfræseren må kun sættes i drift, når den står på jorden (forbrændingsmotoren er oppe). Under jordfræsereens drift bør den hele tiden føres vandret. Undgå at vippe den meget samt stejle hældninger.

10.3 Fræsestjernekompositioner



Monter altid det samme antal fræsestjerner i venstre og højre drivaksel.

Beskyttelsesskiven til planterne kan monteres i alle tre fræsestjernekompositioner. De beskytter planterne i nærheden af arbejdsområdet – f.eks. ved fræsning i smalle bede.

Kombinationsmuligheder

MH 445, MH 445 R:

- 2 Fræsestjerner:
en enkeltradede fræsestjerne pr.
drivaksel
- 4 Fræsestjerner:
to enkeltradede fræsestjerner pr.
drivaksel

Kombinationsmuligheder

MH 560:

- 2 Fræsestjerner:
en dobbeltradede fræsestjerne pr.
drivaksel

Kombinationsmuligheder

MH 585, MH 685:

- 2 Fræsestjerner:
en dobbeltradede fræsestjerne pr.
drivaksel
- 4 Fræsestjerner:
en dobbeltradede fræsestjerne og en
enkeltradede fræsestjerne pr. drivaksel

10.4 Korrekt arbejdsposition under arbejdet



En korrekt arbejdsposition under hele arbejdet modvirker, at kroppen hurtigt bliver trætt.

Maskinen (højdejustering på styrehåndtag, justering af jordspyd) bør indstilles således, at kroppen (ryggen) holdes ret under hele arbejdet.

Korrekt arbejdsstilling:

- strakt ryg
- strakte ben
- underarmene bøjet let nedad

11. Tag maskinen i brug

11.1 Forberedelser



Risiko for kvæstelser!

Følg sikkerhedsanvisningerne i kapitlet "Sikkerhed" (⇒ 4.), og gør dig fortrolig med jordfræsersens betjeningsdele. (⇒ 8.)

- Kontroller motoroliens niveau, og foretag optankning. (⇒ 7.15)

11.2 Højdejustering af styrehåndtagets øverste del



Styrehåndtagets øverste del kan justeres i højden.

- Klap transportstativet ud. (⇒ 11.4)
- Tag fat om styrehåndtagets øverste del (1) på holdegrebet (2), og hold.
- Træk spændegrebet (3) bagud, og hold det.
- Placer styrehåndtagets øverste del (1) i den ønskede position.
- Tryk spændegrebet (3) fremad, og sørg for, at styrehåndtagets øverste del går helt i indgreb og er fastgjort.
- Klap evt. transportstativet ind. (⇒ 11.4)

11.3 Sidejustering på styrehåndtaget



Styrehåndtaget kan justeres i siden i tre positioner.

- Klap transportstativet ud. (⇒ 11.4)

- Hold styrehåndtagets øverste del fast i et holdegreb med den ene hånd.
- Træk spændegrebet (1) opad med hånden.
- Anbring styrehåndtaget i den ønskede position. Sørg for, at låsetappen (2) er over én af de tre låsepositioner (3).
- Tryk spændegrebet (1) frem med hånden, og klem styrehåndtaget fast.
- Kontrollér, om styrehåndtaget er fastspændt.
- Klap evt. transportstativet ind. (⇒ 11.4)

11.4 Ind- og udklappning af transportstativet.



Jordfræseren kan transporteres ved at trække eller skubbe det ved hjælp af transportstativet.



Risiko for kvæstelser!

Når der trykkes på afsikringshåndtaget, mens transportstativet er i arbejdspositionen (klappet op), kan transportstativet selv falde ned i transportstillingen.

Klap transportstativet ud – transportstilling:

- Løft transportstativet (1) let med den ene hånd, og hold det.
- Tryk på afsikringshåndtaget (2).
- Klap transportstativet (1) helt ned, og slip afsikringshåndtaget (2). Transportstativet går i indgreb og er låst.

Indklapning af transportstativet – arbejdsposition.

- Hold transportstativet (1) med den ene hånd, og løft det let for at aflaste det.
- Tryk på afsikringshåndtaget (2), og klap transportstativet op.
- Slip afsikringshåndtaget (2), og klap transportstativet helt op. Transportstativet går i indgreb og er låst i arbejdspositionen.

11.5 Indstilling af jordspyddet



Jordspyddet regulerer modstanden og dermed fremføringshastigheden under jordarbejdet. Jordspyddet kan indstilles i tre trin for at opnå en optimal regulering.

Juster jordspyddet:

- Klap transportstativet ud i transportstilling. (⇒ 11.4) Sørg for, at maskinen står stabilt og sikkert.
- Tryk på afsikringsbolten (1), og hold den.
- Sæt jordspyddet (2) i den ønskede position.
- Slip afsikringsbolten (1), og kontrollér, at jordspyddet går i hak.

11.6 Start forbrændingsmotoren



- Placer gasindstillingens håndtag i startpositionen. (⇒ 8.1)
- Tag godt fat om håndtaget ved startkablet (1) med den ene hånd, og hold fast.

- Træk langsomt startkablet (1) ud, indtil kompressionsmodstanden mærkes. Træk derefter kraftigt og hurtig igennem til en armslængde i én bevægelse. Før langsomt startkablet (1) tilbage, så det igen kan rulles op. Gentag efter behov, indtil forbrændingsmotoren er i gang.

11.7 Stands forbrændingsmotoren

- Flyt gasindstillingshåndtaget til stoppositionen for at standse forbrændingsmotoren. (⇒ 8.1) Forbrændingsmotoren standser efter en kort udløbstid.

11.8 Kobl fremdriften (fremad) til og fra

Kobl fremdriften (fremad) til:

- Transporter jordfræseren med standset forbrændingsmotor til anvendelsesstedet. (⇒ 13.)
- Start forbrændingsmotoren. (⇒ 11.6)
- Hold jordfræseren med begge hænder på holdegrebene.
- Tryk det **sorte** motorgreb (fremad) ind og hold så. (⇒ 8.2) Drivakslen med det påmonterede værktøj begynder at dreje sig, så jordfræseren sætter sig i gang fremad.

Kobl fremdriften (fremad) fra:

- Slip motorgrebet (fremad). (⇒ 8.2) Drivakslen med det monterede værktøj stopper.

11.9 Kobl fremdriften (bagud) ind og ud (MH 445 R, MH 560, MH 585, MH 685)

Jordfræserne MH 445 R, MH 560, MH 585, MH 685 er udstyret med et bakgear.

Bakgearet letter frigørelsen under jordarbejdet, hvis jordfræseren har sat sig fast. Bakgearet må ikke anvendes til fræsningen.



Risiko for kvæstelser!

Før fremdriften (bagud) kobles til, skal det kontrolleres, om der er tilstrækkelig plads mellem brugerens krop og styrehåndtaget.

Kobl fremdriften (bagud) til:

- Transporter jordfræseren med standset forbrændingsmotor til anvendelsesstedet. (⇒ 13.1)
- Start forbrændingsmotor. (⇒ 11.6)
- Hold jordfræseren med begge hænder på holdegrebene.
- Tryk det **røde** motorgreb (bagud) ind og hold så. (⇒ 8.2) Drivakslen med det påmonterede værktøj begynder at dreje sig, så jordfræseren sætter sig i gang bagud.

Kobl fremdriften (bagud) fra:

- Slip motorgrebet (bagud). (⇒ 8.2) Drivakslen med det monterede værktøj stopper.

11.10 Fræsning

Ved fræsning løsnes jorden med roterende fræsestjerner og forberedes på denne måde til såning, dyrkning eller pleje af planter.



Risiko for kvæstelser!

Fræs kun i fremadgående retning. Vær opmærksom på forhindringer under arbejdet (f.eks. fliser på stier), som der ikke må køres over.

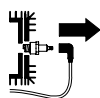
- Transporter jordfræsere med standset forbrændingsmotor til anvendelsesstedet. (⇒ 13.1)
- Klap transportstativet ind. (⇒ 11.4)
- Start forbrændingsmotoren. (⇒ 11.6)
- Hold om jordfræsere på holdegrebene med begge hænder og sørg for stabil fodfæste – stå i det anførte arbejdsområde. (⇒ 10.1)
- Betjen og hold motorgreb (fremad). (⇒ 11.8)
Fræsestjernerne starter med at rotere, og fræsningen kan påbegyndes.
- Når arbejdet er udført, frakobles fremdriften (⇒ 11.8), motoren standses (⇒ 11.7) og maskinen rengøres (⇒ 12.2).

12. Vedligeholdelse



Risiko for kvæstelser!

Før vedligeholdelses- eller rengøringsarbejde på maskinen skal kapitlet "Sikkerhed" (⇒ 4.), især underkapitlet "Vedligeholdelse og reparation" (⇒ 4.7), læses grundigt igennem, og alle sikkerhedshenvisninger skal overholdes.



Træk tændrørshætten af før alle vedligeholdelses- eller rengøringsarbejder!

12.1 Demontering af fræsestjerner



Løsnes klapsplitten ved siden af gearkassehuset, kan hele fræsesættet og beskyttelseskiven til planterne trækkes af drivakslen. Ved montering af fræsestjernerne skal du følge angivelserne i kapitlerne Montering af fræsestjernerne (⇒ 7.7), (⇒ 7.8) og Fræsestjernerkombinationer (⇒ 10.3).

- Lad maskinen (forbrændingsmotor, gearkasse) køle helt af.
- Stil jordfræsere i rengøringspositionen. (⇒ 12.2)
- Afmontering af beskyttelseskiver til planter:
Klap klapsplittens (1) låsebøjle op og træk klapsplitten af. Træk beskyttelseskiven til planterne (2) af.
- Afmonter fræsestjerner:
Klap klapsplittens (3) låsebøjle op og træk klapsplitten af. Træk fræsestjernerne (4) af.
- Træk beskyttelsesringene (5) af, og opbevar dem et sikkert sted, hvor de ikke går tabt!

12.2 Rengør maskinen



Vedligeholdelsesinterval: Efter hver brug

- Rengør hele maskinen omhyggeligt efter hver brug. Omhyggelig behandling beskytter maskinen og forlænger levetiden.

- Før maskinen rengøres, skal den køle helt af, tændrørshætten skal trækkes af, og ved rengøringsarbejde på gearkasse og fræsestjerner skal der bæres tøj med lange ærmer og solide handsker.

Rengøringsstilling:



Undgå at beskadige maskinen!

Jordfræsere må kun anbringes i den viste position i kortere tid (rengørings- og vedligeholdelsesarbejder). Når maskinen ikke er i brug, placeres den i opret stilling.

- Klap transportstativet ud. (⇒ 11.4)
- Placer styrehåndtagets øverste del i den øverste position. (⇒ 11.2)
- Placer jordfræsere på en flade med et plant og fast underlag.
- Vip maskinen bagud, indtil styrehåndtaget rammer undergrunden.

Anvisninger for rengøring:

- Fjern snavs og fastsiddende rester med en børste, en fugtig klud eller med en træstav – undlad at anvende aggressive rengøringsmidler. STIHL anbefaler et specialrensemiddel (f.eks. STIHL specialrensemiddel).
- Ret aldrig en vandstråle mod styrehåndtaget, dele af forbrændingsmotoren, pakninger og lejesøler. Det kan medføre dyre reparationer.
- **Forbrændingsmotor:**
Rens køleribberne, ventilatorhjulet, området omkring luftfilteret, udstødningsrøret osv. for snavs for at sikre en tilstrækkelig køling af forbrændingsmotoren.

- **Gearkassehuset, undervognen samt fræseværktøjet** kan gøres rene med en vandstråle eller en højtryksrenser.



Undgå at beskadige maskinen!

Ved anvendelse af en højtryksrenser skal du bevare en afstand på **mindst 1 m** og aldrig rette vandstrålen direkte mod lejesøler, drivakslen og pakninger – særligt ikke mod pakningen mellem gearkassehuset og beskyttelsespladen.

12.3 Forbrændingsmotor

Vedligeholdelsesinterval: Før hver brug

Kontrollér motoroliestand (se betjeningsvejledningen til forbrændingsmotoren).

Følg betjenings- og vedligeholdelsesinstruktionerne, som du kan finde i den vedlagte betjeningsvejledning til forbrændingsmotoren.

12.4 Serviceintervaller



Undgå at beskadige maskinen!

Vedligeholdelsesarbejde på gearkassen må kun udføres af en forhandler.

Vedligeholdelse udført af forhandleren: Årligt ved privatpersoner

Jordfræsere bør serviceres af forhandleren en gang om året. STIHL anbefaler en STIHL-forhandler.

Vedligeholdelse udført af brugeren:

- **Før hver ibrugtagning**
Kontrollér motorolieniveauet (se betjeningsvejledningen til forbrændingsmotoren)
- **Efter hver brug**
Rengør maskinen. (⇒ 12.2)

12.5 Opbevaring og længere pauser (vinterpause)



Placer jordfræsere i normal position (udklappet transportstativ). Klap styrehåndtaget bagud som vist på billedet for at spare plads.



Risiko for at vælte!

Jordfræsere kan vælte forover, hvis fræsestjernen står i en forkert position. Derfor skal det altid kontrolleres, at jordfræsere står stabilt.

Ved behov kan fræsestjernen drejes let for at reducere topplastfordelingen. Understøt alternativt jordfræsere omkring håndtaget under opbevaring.

Maskinen skal opbevares i et tørt, lukket og støvfrit rum. Sørg for, at maskinen opbevares utilgængeligt for børn.

Eventuelle fejl skal altid afhjælpes før opbevaringen. Maskinen skal altid være i driftssikker tilstand. Alle møtrikker, bolte og skruer skal være fastspændte. Udskift ulæselige fare- og advarselshenvisninger på maskinen, og kontrollér hele maskinen for slid og beskadigelser. Udskift slidte og beskadigede dele.

Ved længere driftspauser (vinterpause) skal følgende punkter desuden udføres:

- Rens alle maskinens ydre dele omhyggeligt.

- Tøm benzintanken og karburatoren.
- Smør samtlige bevægelige dele godt ind i olie/fedt.
- Skru tændrøret af (se forbrændingsmotorens betjeningsvejledning), og hæld ca. 3 cm³ motorolie i forbrændingsmotoren gennem tændrørsåbningen. Tørn forbrændingsmotoren nogle gange uden tændrør (træk i startkablet).



Brandfare!

Tændrørshætten skal holdes væk fra tændrørsåbningen på grund af antændelsesfare.

- Skru tændrøret i igen (se også betjeningsvejledningen til forbrændingsmotoren).
- Udfør olieskift regelmæssigt (se betjeningsvejledningen til forbrændingsmotoren).
- Afdæk forbrændingsmotoren omhyggeligt, og opbevar maskinen i den normale position.

13. Transport

13.1 Transport af jordfræser



Risiko for kvæstelser!

Følg sikkerhedsanvisningerne i kapitlet "Sikkerhed", (⇒ 4.), især afsnittet "Transport" (⇒ 4.4). Før transporten skal du slukke forbrændingsmotoren, trække tændrørshætten af og tage egnede personlige værnemidler (sikkerhedssko, handsker, kedeldragt, der dækker hænder og ben) på.

Vær opmærksom på vægten! (⇒ 18.)

1 Træk eller skub jordfræsere:

- Sæt jordspyd i højeste position. (⇒ 11.5)
- Klap transportstativet ud. (⇒ 11.4)
- Hold jordfræsere i begge holdegreb (1), og vip bagud, indtil maskinen står på transporthjulene.
- Træk eller skub langsomt jordfræsere (skridttempo). På glat og jævnt underlag skal maskinen skubbes, og på ujævnt underlag skal den trækkes.



Risiko for kvæstelser!

Risiko for kvæstelser! Som følge af maskinens høje vægt skal du være særligt forsigtig ved trin, afsatser, skrå ramper og andre forhøjninger. Brugeren skal altid stå højere end maskinen, så brugeren ikke bliver kørt over af maskinen, hvis kontrollen over den mistes – dvs. at maskinen skal skubbes ned ad eller trækkes op ad afsatser og skråninger.

Maskinen må skubbes eller trækkes maks. to til tre trin. Skal maskinen løftes over flere trin, skal jordfræsere bæres af to personer.

2 Løft eller bær jordfræsere:

- Kontrollér, at styrehåndtagets øverste del sidder godt fast.
- Der skal være mindst to personer til at løfte eller bære jordfræsere, og der skal hele tiden holdes tilstrækkelig afstand til fræsestjernerne.

Holdepunkter:

Holdegreb (1) og håndtag (2)

3 Transport af jordfræsere på en læsseflade:

- Transporter altid jordfræsere **stående** – på transportstativet og fræsestjernerne. Læg aldrig maskinen om på siden.
 - Klap transportstativet ud, (⇒ 11.4) og monter fræsestjernerne, så apparatet står stabilt (⇒ 7.7), (⇒ 7.8).
 - Fastgør jordfræsere under transporten på en læsseflade med reb eller remme, så den ikke glider.
- Fastgøringspunkter:**
Aksel transportstativ (3) og aksel fræsestjerne (4).

14. Miljøbeskyttelse



Emballager, maskine og tilbehør er fremstillet af materialer, der kan genbruges, og som skal bortskaffes i overensstemmelse hermed.

Sorter og bortskaf materialerester på en miljøvenlig måde, så det bliver lettere at genanvende dem. Af denne grund skal maskinen afleveres i et affaldsdepot, når den er slidt op.

14.1 Bortskaffelse

Gammel olie (motorolie, gearkasseolie) og benzin skal altid bortskaffes korrekt.

Sørg for, at forbrændingsmotoren ikke kan anvendes længere, når den skal bortskaffes. Fjern også tændkablet, tøm benzintanken, og aftap motorolien.

Risiko for kvæstelser på fræsestjernerne!

Lad heller ikke en nedslidt jordfræser være uden opsyn. Sørg for, at maskinen og fræsestjernerne opbevares utilgængeligt for børn.

15. Sådan minimerer du slid og undgår skader

Vigtige anvisninger til vedligeholdelse af produktgruppen

Benzindrevne jordfræsere (STIHL MH)

Firmaet STIHL påtager sig intet ansvar for ting- og personskader, som opstår som følge af manglende overholdelse af henvisningerne i betjeningsvejledningen, især hvad angår sikkerhed, betjening og

vedligeholdelse, eller ved anvendelse af ikke godkendte påbygningskomponenter eller reservedele.

For at undgå skader og unødigt slitage på din STIHL-maskine skal du altid følge nedenstående vigtige anvisninger:

1. Sliddele

Nogle dele af STIHL-maskinen udsættes også selv ved korrekt brug for normal slitage og skal alt efter arten og varigheden af brugen udskiftes rettidigt.

Dertil hører bl. a.:

- Kilerem
- Fræsestjerne
- Jordspyd

2. Overholdelse af anvisningerne i denne betjeningsvejledning

Brug, vedligeholdelse og opbevaring af STIHL-maskinen skal ske med største omhu som beskrevet i denne betjeningsvejledning. Brugeren hæfter selv for alle skader, der måtte opstå som følge af manglende overholdelse af sikkerheds-, betjenings- og vedligeholdelsesanvisningerne.

Dette gælder især for:

- Brug af produktet til andet end det af producenten foreskrevne formål.
- Anvendelse af forbrugsstoffer, der ikke er godkendt af STIHL (smøremidler, benzin og motorolie, se forbrændingsmotorens betjeningsvejledning).
- Produktændringer, der ikke er godkendt af STIHL.

- Anvendelse af påbygningskomponenter, påbygningsmaskiner eller klippeværktøj, der ikke er godkendt af STIHL.
- Anvendelse af produktet ved sportsarrangementer eller i konkurrencer.
- Følgeskader som følge af fortsat brug af produktet med defekte komponenter.

3. Vedligeholdelsesarbejder

Alle former for arbejder, der er beskrevet i afsnittet "Vedligeholdelse", skal foretages regelmæssigt.

Hvis disse vedligeholdelsesarbejder ikke kan udføres af brugeren selv, skal de udføres af en forhandler.

STIHL anbefaler, at alle vedligeholdelsesarbejder og reparationer udelukkende udføres hos en STIHL-forhandler.

STIHL-forhandlerne tilbydes jævnligt kurser og får stillet teknisk materiale til rådighed.

Såfremt disse arbejder ikke bliver udført, kan der opstå skader, som brugeren selv hæfter for.

Herunder hører bl.a.:

- Korrosionsskader eller følgeskader på grund af uhensigtsmæssig opbevaring.
- Skader på maskinen på grund af anvendelse af andre reservedele af mindre god kvalitet.
- Skader pga. ikke udført eller utilstrækkelig vedligeholdelse, eller skader pga. vedligeholdelses- eller reparationsarbejder, som ikke udføres på forhandlernes værksted.

16. Standardreservedele

Klapsplit (fræsestjerner):
9396 021 3785

MH 445, MH 445 R

Komplet fræsesæt, indvendigt til venstre:
6241 710 0200

Komplet fræsesæt, indvendigt til højre:
6241 710 0205

Komplet fræsesæt, udvendigt til venstre:
6241 710 0210

Komplet fræsesæt, udvendigt til højre:
6241 710 0215

MH 560, MH 585, MH 685

Komplet fræsesæt, indvendigt til venstre:
6241 710 0220

Komplet fræsesæt, indvendigt til højre:
6241 710 0225

MH 585, MH 685

Komplet fræsesæt, udvendigt til venstre:
6242 710 0210

Komplet fræsesæt, udvendigt til højre:
6242 710 0215

17. EC-overensstemmelseserklæring

17.1 Jordfræser STIHL MH 445.0, MH 445.0 R, MH 560.0, MH 585.0, MH 685.0

STIHL Tirol GmbH
Hans Peter Stihl-Straße 5
6336 Langkampfen
Østrig

erklærer, at vi har det fulde ansvar for, at

- Konstruktion: Jordfræser

- Fabrikat: STIHL
- Type: MH 445.0, MH 445.0 R, MH 560.0, MH 585.0, MH 685.0
- Serienummer: 6241

opfylder de relevante bestemmelser i direktiverne 2000/14/EC, 2006/42/EC, 2014/30/EU og 2011/65/EU og er udviklet og fremstillet i overensstemmelse med de gældende udgaver af følgende standarder: EN 709 og EN 14982 (såfremt disse kan anvendes).

Navn og adresse på den pågældende myndighed:
TÜV Rheinland LGA Products GmbH
Tillystraße 2
D-90431 Nürnberg

For at finde det målte og garanterede lydeffektniveau er man gået frem efter direktiv 2000/14/EC, bilag VIII.

MH 445.0, MH 445.0 R

- Målt lydeffektniveau: 92 dB(A)
- Garanteret lydeffektniveau: 93 dB(A)

MH 560.0, MH 585.0

- Målt lydeffektniveau: 91,3 dB(A)
- Garanteret lydeffektniveau: 93 dB(A)

MH 685.0

- Målt lydeffektniveau: 92,4 dB(A)
- Garanteret lydeffektniveau: 93 dB(A)

De tekniske dokumenter opbevares i afdelingen for produktgodkendelse hos STIHL Tirol GmbH.

Produktionsåret og maskinnummeret står på jordfræseren.

Langkampfen, 02.11.2020

STIHL Tirol GmbH

e.b.



Matthias Fleischer, Sektionsleder for forskning og udvikling

e.b.



Sven Zimmermann, Sektionsleder for kvalitet

18. Tekniske data

MH 445.0 / MH 445.0 R / MH 560.0 / MH 585.0 / MH 685.0

Serienummer	6241
Forbrændingsmotor, type	4-takts forbrændingsmotor
Startanordning	Snorestart
I henhold til direktiv 2000/14/EC:	
Garanteret lydeffektniveau L_{WA}	93 dB(A)

MH 445.0 / MH 445.0 R

Motortype	B&S Series 550 EX OHV RS
-----------	--------------------------

MH 445.0 / MH 445.0 R

Slagvolumen	140 ccm
Nom. effekt ved mærkehastighed	2,2 - 3100 kW - omdr./min
Benzintank	0,8 l
Værktøj	4 fræseelementer, 2 beskyttelsesskiver til planter

Diameter, fræseseæt	30 cm
Arbejdsomdrejningstal for fræseseæt ved testet omdrejningstal	124 o/min
Testet omdrejningstal	3100 o/min

I henhold til direktiv 2006/42/EC:

Støjniveau på arbejdspladsen L_{pA}	80 dB(A)
Usikkerhed K_{pA}	2 dB(A)

Anført vibrationskarakteristik iht. EN 12096:

Målt værdi a_{hw}	5,50 m/s^2
Usikkerhed K_{hw}	2,20 m/s^2

Måling iht. EN 20643

Drev MH 445.0	Et gear fremad
Drev MH 445.0 R	Et gear fremad Et gear bagud
Vægt	36 kg / 37 kg

MH 560.0/ MH 585.0

Motortype	Kohler HD675
Slagvolumen	149 ccm
Nom. effekt ved mærkehastighed	2,3 - 3000 kW - omdr./min
Benzintank	1,4 l
Værktøj MH 560.0	2 fræseelementer, 2 beskyttelsesskiver til planter

MH 560.0/ MH 585.0

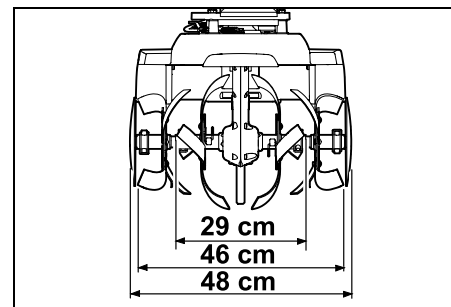
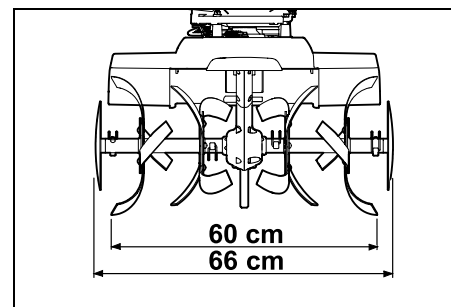
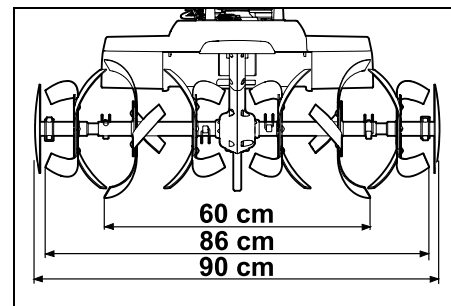
Værktøj MH 585.0	4 fræseelementer, 2 beskyttelsesskiver til planter
Diameter, fræsesæt	32 cm
Arbejdsomdrejningstal for fræsesæt ved testet omdrejningstal	120 o/min
Testet omdrejningstal	3000 o/min
I henhold til direktiv 2006/42/EC:	
Støjniveau på arbejdspladsen L_{pA}	79 dB(A)
Usikkerhed K_{pA}	2 dB(A)
Anført vibrationskarakteristik iht. EN 12096:	
Målt værdi a_{hw}	5,00 m/s^2
Usikkerhed K_{hw}	2,50 m/s^2
Måling iht. EN 20643	
Drev	Et gear fremad Et gear bagud
Vægt	41 kg / 44 kg

MH 685.0

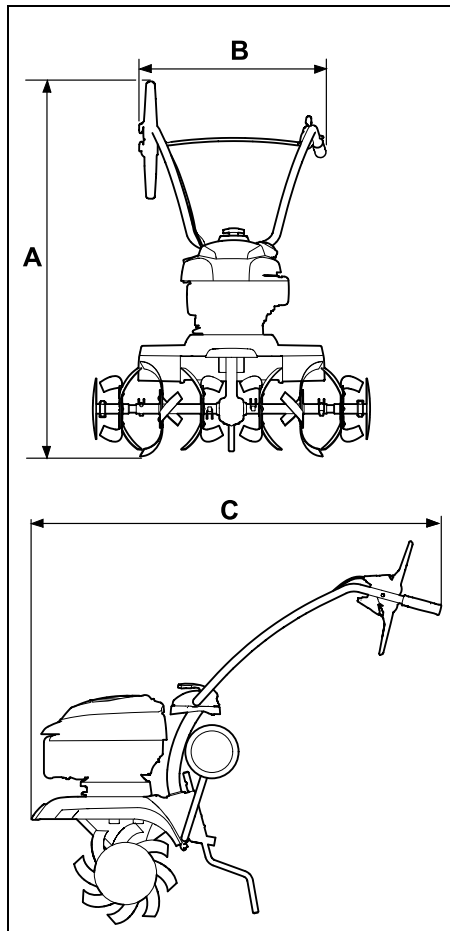
Motortype	Kohler HD775
Slagvolumen	173 ccm
Nom. effekt ved mærkehastighed	2,9 - 3200 kW - omdr./min
Benzintank	1,4 l
Værktøj	4 fræseelementer, 2 beskyttelsesskiver til planter
Diameter, fræsesæt	32 cm
Arbejdsomdrejningstal for fræsesæt ved testet omdrejningstal	128 o/min
Testet omdrejningstal	3200 o/min
I henhold til direktiv 2006/42/EC:	

MH 685.0

Støjniveau på arbejdspladsen L_{pA}	80 dB(A)
Usikkerhed K_{pA}	2 dB(A)
Anført vibrationskarakteristik iht. EN 12096:	
Målt værdi a_{hw}	6,00 m/s^2
Usikkerhed K_{hw}	2,40 m/s^2
Måling iht. EN 20643	
Drev	Et gear fremad Et gear bagud
Vægt	46 kg

MH 445.0, MH 445.0 R:**MH 560.0:****MH 585.0, MH 685.0:**

MH 445.0, MH 445.0 R, MH 560.0,
MH 585.0, MH 685.0:



MH 445.0, MH 445.0 R:

A = 118 cm

B = 57 cm

C = 122 cm

MH 560.0, MH 585.0, MH 685.0:

A = 119 cm

B = 57 cm

C = 122 cm

18.1 REACH

REACH er en EU-forordning om registrering, vurdering og godkendelse af kemikalier.

Oplysninger om opfyldelse af REACH-forordningen (EF) nr. 1907/2006 er angivet på www.stihl.com/reach.

19. Fejlsøgning

✘ Kontakt evt. en forhandler, STIHL anbefaler en STIHL-forhandler.

📖 Se betjeningsvejledningen til forbrændingsmotoren.

Fejl:

Forbrændingsmotoren starter ikke

Mulig årsag:

- Gasindstillingshåndtaget er i stoppositionen
- Brændstoftanken er tom; benzinslangen er tilstoppet
- Dårlig, forurenede eller gammel benzin i tanken
- Tændrørshætten er trukket af tændrøret; tændrørskablet er fastgjort dårligt til tændrørshætten
- Tændrøret er tilsodet eller beskadiget; forkert elektrodeafstand.
- Luftfilteret er snavset
- Forbrændingsmotoren er "druknet" pga. flere startforsøg

Afhjælpning:

- Placer gasindstillingens håndtag i startpositionen (⇒ 8.1)
- Fyld benzin på (⇒ 7.15); Rengør brændstofslangene (✘)

- Anvend frisk kvalitetsbenzin (blyfri benzin) (⇒ 7.15); Rens karburatoren (✘)
- Sæt tændrørshætten på (📖); Afprøv forbindelsen mellem tændrørskablet og -hætten (✘)
- Rens/udskift tændrøret (📖), (✘); Indstil elektrodeafstanden (✘)
- Rens/udskift luftfilteret (✘)
- Skru tændrøret ud, og tør det, skub gashåndtaget i STOP-position og træk startkablet ud flere gange, mens tændrøret er skruet ud (📖)

Fejl:

Startbesvær eller forbrændingsmotorens ydelse falder

Mulig årsag:

- Der er vand i benzintanken og karburatoren; karburatoren er tilstoppet
- Der er snavs i benzintanken
- Luftfilteret er snavset
- Tændrøret er tilsodet

Afhjælpning:

- Tøm benzintanken, rens benzinslangen og karburatoren (✘)
- Rengør benzintanken (✘)
- Rens/udskift luftfilteret (📖), (✘)
- Rens/udskift tændrøret (📖), (✘)

Fejl:

Forbrændingsmotoren bliver meget varm

Mulig årsag:

- Køleribberne er snavsede
- For lav oliestand i forbrændingsmotoren
- Forbrændingsmotoren er dækket til med jord

Afhjælpning:

- Rens køleribberne (⇒ 12.2)
- Påfyld olie (⇒ 7.15)
- Fjern jord fra forbrændingsmotoren

Fejl:

Forbrændingsmotoren kører ujævnt

Mulig årsag:

- Luftfilteret er snavset

Afhjælpning:

- Rens/udskift luftfilteret (📖), (✖)
-

Fejl:

Kraftig røgdudvikling

Mulig årsag:

- For højt oliestand
- Luftfilteret er snavset

Afhjælpning:

- Tilpas oliemængden (📖)
 - Rens/udskift luftfilteret (📖), (✖)
-

Fejl:

Kraftige vibrationer under driften

Mulig årsag:

- Motorfastgørelsen er løs

Afhjælpning:

- Spænd skrueerne til motorfastgørelsen (✖)
-

Fejl:

Nedsat arbejdsydelse

Mulig årsag:

- Fræsestjernerne er forkert monteret
- Fræsestjernerne er slidte
- Jordspyddet er forkert indstillet

Afhjælpning:

- Monter fræsestjernerne korrekt (⇒ 7.7), (⇒ 7.8)
 - Udskift fræsestjernerne (✖)
 - Juster jordspyddet (⇒ 11.5)
-

Fejl:

Ingen arbejdsydelse

Mulig årsag:

- Klapsplitten er ikke på drivakslen

Afhjælpning:

- Kontroller, om fræsestjernerne er fastgjort på drivakslen (⇒ 7.7), (⇒ 7.8)
-

Fejl:

Kraftig støj fra gearkassen

Mulig årsag:

- Forkert oliestand i gearkassen

Afhjælpning:

- Kontrollér oliestand i gearkassen (✖)
-

Fejl:

Drivakslen drejer ikke, når motorgrebet trykkes ind.

Mulig årsag:

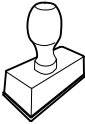
- Kabeltrækket er defekt
- Drivremmen er slidt

Afhjælpning:

- Kontroller eller udskift kabeltrækket (✖)
 - Udskift remmen (✖)
-

20. Serviceplan

20.1 Leveringsbekræftelse

Model:	_____
Serienummer:	<input type="text"/> <input type="text"/> <input type="text"/> <input type="text"/> <input type="text"/> <input type="text"/> <input type="text"/> <input type="text"/> <input type="text"/> <input type="text"/>
Dato:	<input type="text"/> <input type="text"/> <input type="text"/> <input type="text"/> <input type="text"/> <input type="text"/> <input type="text"/> <input type="text"/>
	
Næste service	
Dato:	<input type="text"/> <input type="text"/> <input type="text"/> <input type="text"/> <input type="text"/> <input type="text"/> <input type="text"/> <input type="text"/>

20.2 Servicebekræftelse

Giv denne betjeningsvejledning til din STIHL-forhandler i forbindelse med vedligeholdelsesarbejde. Han bekræfter udførelsen af de enkelte servicepunkter i de fortrykte felter.

 Service udført den

 Dato for næste serviceeftersyn



Spoštovani kupec,

veseli nas, da ste se odločili za STIHL. Naše izdelke vrhunske kakovosti razvijamo in izdelujemo v skladu s potrebami naših strank. Tako so naši izdelki tudi pri izjemnih obremenitvah zelo zanesljivi.

STIHL je hkrati sinonim za vrhunski servis. Naši pooblaščenji prodajalci nudijo strokovno svetovanje in uvajanje ter obsežno tehnično podporo.

Zahvaljujemo se vam za zaupanje in vam želimo veliko veselja z vašim izdelkom STIHL.



Dr. Nikola Stihl

POMEMBNO! PREBERITE PRED UPORABO IN SHRANITE.

1. Kazalo

O navodilih za uporabo	146
Splošno	146
Navodila za branje navodil za uporabo	146
Opis naprave	147
Za vašo varnost	147
Splošno	147
Polnjenje – delo z bencinom	148
Oblačila in oprema	148
Transport naprave	149
Pred delom	149
Med delom	150
Vzdrževanje in popravila	151
Skladiščenje pri daljših prekinitev dela	153
Odstranjevanje	153
Opis simbolov	153
Obseg dobave	154
Priprava naprave na uporabo	154
Nasveti za montažo	154
Namestitev podvozja	154
Namestitev zavorne zagozde	155
Namestitev krmila	155
Odpiranje krmila	155
Namestitev zaščitnih letev	155
Namestitev sekalnih zvezd MH 445, MH 445 R	156
Namestitev sekalnih zvezd MH 445, MH 585, MH 685	156
Namestitev zaščitne plošče za rastline	157
Namestitev ročice za pogon	157
Napeljevanje pogonskega kabla	157
Pripenjanje pogonskega kabla	157

Napeljevanje in namestitev kabla za plin	158	EN
Pritrditev kablov na krmilo	158	
Gorivo in motorno olje	158	NO
Upravljalni elementi	158	
Ročica za nastavljanje plina	158	SV
Ročica pogona	158	
Varnostna oprema	159	
Blokada ročice za pogon	159	FI
Zaščitne naprave	159	
Napotki za delo	159	DA
Delovno območje upravljavca	159	
Delovni položaj naprave	159	SL
Kombinacije sekalnih zvezd	160	
Idealna telesna drža med delom	160	SK
Začetek uporabe naprave	160	
Pripravljalni ukrepi	160	TR
Nastavitev višine zgornjega dela krmila	160	
Stranska nastavitev krmila	160	HU
Odpiranje in zapiranje transportnega podvozja	160	SR
Nastavitev položaja zavorne zagozde	161	
Zagon motorja z notranjim zgorevanjem	161	HR
Zaustavitev motorja z notranjim zgorevanjem	161	
Izklop in vklop pogona (naprej)	161	BG
Izklop in vklop pogona (nazaj) (MH 445 R, MH 560, MH 585, MH 685)	161	UK
Okopavanje	162	
Vzdrževanje	162	ET
Odstranjevanje sekalne zvezde	162	
Čiščenje naprave	162	MK
Motor z notranjim zgorevanjem	163	
Servisni intervali	163	

Shranjevanje in daljša neuporaba (zimski premor)	163
Transport	164
Transport motornega kultivatorja	164
Varovanje okolja	164
Odstranjevanje	164
Zmanjšanje obrabe in preprečevanje okvar	165
Običajni nadomestni deli	165
EU-izjava o skladnosti	166
Motorni kultivator STIHL MH 445.0, MH 445.0 R, MH 560.0, MH 585.0, MH 685.0	166
Tehnični podatki	166
REACH	168
Iskanje napak	168
Načrt servisiranja	170
Potrditev predaje	170
Potrditev servisa	170

2. O navodilih za uporabo

2.1 Splošno

Ta navodila za uporabo so **originalna navodila proizvajalca za obratovanje** v smislu direktive 2006/42/EC.

Podjetje STIHL nenehno izpopolnjuje svojo ponudbo izdelkov, zato si pridržujemo pravico do spremembe obsega dobave glede oblike, tehnologije in opreme.

Na podlagi podatkov in slik, navedenih v tem priročniku, zato ni mogoče uveljavljati nobenih zahtev.

V teh navodilih za uporabo so lahko opisani modeli, ki niso na voljo v vseh državah.

Ta navodila za uporabo so zaščitena z avtorskimi pravicami. Vse pravice so pridržane, zlasti pravica do razmnoževanja, prevajanja in obdelave z elektronskimi sistemi.

2.2 Navodila za branje navodil za uporabo

Slike in besedila opisujejo določene korake uporabe.

Vsi slikovni simboli, ki so nameščeni na napravi, so razloženi v teh navodilih za uporabo.

Smer gledanja:

Smer gledanja pri uporabi »**levo**« in »**desno**« v navodilih za uporabo: Uporabnik stoji za napravo in gleda naprej v smeri vožnje.

Kazalo poglavij:

Na ustrezna poglavja in podpoglavja, v katerih najdete dodatna pojasnila, opozarja puščica. Naslednji primer predstavlja sklic na določeno poglavje: (⇒ 4.)

Oznake odsekov besedila:

Opisana navodila so lahko označena kot v naslednjih primerih.

Koraki pri uporabi, ki zahtevajo poseg uporabnika:

- Vijak (1) odvijte z izvijačem, premaknite ročico (2) ...

Splošna naštevanja:

- Uporaba izdelka na športnih ali tekmovalnih prireditvah

Besedila z dodatnim pomenom:

Razdelki z dodatnim pomenom so označeni z enim izmed spodaj navedenih simbolov in so tako dodatno poudarjeni, da v navodilih bolj izstopajo.



Nevarnost!

Nevarnost nesreč in težkih telesnih poškodb. Določeno ravnanje je nujno ali pa ga je treba opustiti.



Opozorilo!

Nevarnost telesnih poškodb. Določeno vedenje preprečuje možne ali verjetne poškodbe.



Pozor!

Z določenim vedenjem lahko preprečite lahke poškodbe ali gmotno škodo.



Opomba

Informacija za boljšo uporabo naprave in izogibanje morebitni napačni uporabi.

Besedila s povezavo s sliko:

Slike, ki pojasnjujejo uporabo naprave, so na začetku navodil za uporabo.

Ta simbol fotoaparata povezuje slike na straneh s slikami z besedilom v navodilih.



3. Opis naprave



- 1 Ročica za pogon (naprej)
- 2 Zgornji del krmila
- 3 Vpenjalna ročica
- 4 Zagonska vrvida
- 5 Motor z notranjim zgorevanjem
- 6 Vtič za svečko
- 7 Zaščitna letev
- 8 Zaščitna plošča za rastline
- 9 Sekalne zvezde
- 10 Nosilni ročaj
- 11 Zaščitna letev
- 12 Transportno podvozje
- 13 Zavorna zagozda
- 14 Ročica za sprostitev (transportno podvozje)
- 15 Vijaki za sprostitev (zavorna zagozda)
- 16 Držalo
- 17 Ročica za nastavljanje plina
- 18 MH 445 R, MH 560, MH 585, MH 685: Ročica za pogon (nazaj)
- 19 Tipska tablica s številko stroja

4. Za vašo varnost

4.1 Splošno



Pri delu z napravo morate obvezno upoštevati te predpise za preprečevanje nesreč.



Pred prvo uporabo naprave pazljivo preberite celotna navodila za uporabo. Navodila za uporabo shranite za poznejšo uporabo.

Upoštevajte navodila za uporabo in vzdrževanje, ki jih lahko najdete v priloženih navodilih za uporabo motorja z notranjim zgorevanjem.

Ti varnostni ukrepi so nujno potrebni za vašo varnost, vendar pa ta seznam ni popoln. Napravo vedno uporabljajte razumno in odgovorno ter upoštevajte, da uporabnik stroja prevzema odgovornost za nezgode, v katerih so udeležene druge osebe ali njihovo imetje.

Seznajte se z upravljalnimi elementi in nastavitvenimi deli ter s pravilno uporabo naprave. Uporabniki morajo še posebej vedeti, kako lahko hitro ustavijo delovna orodja in motor z notranjim zgorevanjem naprave.

Napravo smejo uporabljati samo osebe, ki so prebrale navodila za uporabo in so seznanjene z uporabo naprave. Pred prvim zagonom se mora uporabnik potruditi, da dobi strokovna in praktična navodila za uporabo. Uporabnika mora o varni uporabi naprave poučiti prodajalec ali drug izvedenec.

Pri teh navodilih je treba uporabnika posebej opozoriti, da delo z napravo zahteva izjemno pazljivost in koncentracijo.

Tudi če to napravo uporabljate v skladu s predpisi, vseeno obstaja določeno tveganje.



Obstaja smrtna nevarnost zadušitve!

Če se otroci igrajo z embalažo, obstaja nevarnost zadušitve. Otrokom preprečite dostop do embalaže.

Napravo, vključno z vsemi nadgradnjami, smete predati oziroma posoditi samo osebam, ki ta model in ravnanje z njim dobro poznajo. Navodila za uporabo so del naprave in jih morate vedno priložiti.

Napravo je dovoljeno uporabljati samo, če ste spočiti in v dobrem telesnem ter duševnem stanju. Če niste zdravi, se obrnite na zdravnika, da vam pove, ali je delo z napravo mogoče. Po zaužitju alkohola, drog ali zdravil, ki zmanjšujejo odzivnost, je delo z napravo prepovedano.

Zagotovite, da je uporabnik telesno, čutno in duševno sposoben upravljanja ter dela z napravo. Če je uporabnik omejeno telesno, čutno in duševno sposoben za upravljanje ter delo z napravo, lahko z napravo upravlja le pod nadzorom ali po nasvetih odgovorne osebe.

Zagotovite, da je uporabnik polnoleten ali se po državnih zakonskih predpisih usposablja za poklic pod nadzorom.

Pozor – nevarnost nesreče!

Motorni kultivator je namenjen samo za obdelavo tal, ki so namenjena za sejanje, obdelovanje ali nego rastlin. Dovoljeno ga je uporabljati izključno po teh navodilih za uporabo – nenamenska uporaba ni dovoljena! Drugačna uporaba ni dovoljena in je lahko nevarna. To lahko povzroči telesne poškodbe ali materialno škodo.

Da ne bi prišlo do morebitnih telesnih poškodb uporabnika, motornega kultivatorja ni dovoljeno uporabljati za naslednja dela (nepopoln seznam):

- za delo na strešnih nasadih in balkonskih koritih,
- za seklanje in drobljenje odpadkov, nastalih pri obrezovanju drevja in žive meje.

Z napravo ne smete prevažati predmetov, živali ali ljudi, posebej otrok.

Zaradi varnosti so vse spremembe na napravi, razen strokovne namestitve opreme, ki je odobrena s strani družbe STIHL, prepovedane in poleg tega povzročijo prenehanje veljavnosti garancije. Informacije o odobreni dodatni opremi lahko dobite pri pooblaščenem prodajalcu izdelkov STIHL.

Na napravi je še posebej prepovedano izvajati kakršne koli spremembe, ki spremenijo moč ali število obratov elektromotorja oziroma motorja z notranjim zgorevanjem.

Pri uporabi na javnih površinah, v parkih, na športnih igriščih, na cestah ter na obdelovalnih in gozdnih območjih bodite še zlasti previdni.



Pozor! Ogrožanje zdravja zaradi tresljajev! Čezmerna obremenitev zaradi tresljajev lahko škodi krvnemu obtoku in živcem, še zlasti pri ljudeh s težavami v krvnem obtoku. Če nastopijo simptomi, ki bi jih lahko povzročile obremenitve zaradi tresenja, se obrnite na zdravnika.

Ti simptomi se pojavijo predvsem v prstih, rokah ali zapestjih in so na primer naslednji (seznam ni popoln):

- izguba občutka,
- bolečine,
- šibkost v mišicah,
- spreminjanje barve kože,
- neprijetni mravljinici.

Med uporabo krmilo držite z obema rokama čvrsto, a ne krčevito, na za to predvidenih mestih.

Delovne čase načrtujte tako, da se izognete večjim obremenitvam v daljšem časovnem obdobju.

Pri uporabi motornega kultivatorja načrtujte premore in se izogibajte daljšemu upravljanju naprave, saj daljša izpostavljenost vibracijam škodi zdravju.

4.2 Polnjenje – delo z bencinom



Smrtno nevarno!

Bencin je strupen in visoko vnetljiv.

Bencin hranite le v za to predpisanih in preizkušenih posodah (kanister). Pokrov rezervoarja vedno pravilno privijte in zategnite. Iz varnostnih razlogov je treba poškodovana zapirala za rezervoar zamenjati.

Za odstranjevanje ali skladiščenje obratovalnih sredstev, na primer goriva, ne uporabljajte steklenic pijač ali podobnega. Lahko se zgodi, da bi po nesreči drugi (še posebej otroci) iz njih pili.



Bencina ne približujte iskram, odprtemu plamenu, trajnemu plamenu, izvorom toplote ali drugim virom vžiga.

Prepovedano kajenje!

Gorivo dolivajte le na prostem, pri tem pa ne kadite.

Pred dolivanjem bencina motor z notranjim zgorevanjem ustavite in pustite, da se ohladi.

Bencin dolijte pred zagonom motorja z notranjim zgorevanjem. Med delovanjem motorja z notranjim zgorevanjem ali pri vročem stroju ne smete odpirati pokrova posode za gorivo ali dolivati bencina.

Posode za gorivo ne napolnite preveč!

Rezervoarja za gorivo nikoli ne napolnite prek spodnjega roba nastavka za dolivanje goriva, tako da ima gorivo prostor za raztezanje.

Poleg tega upoštevajte navedbe v priloženih navodilih za uporabo motorja z notranjim zgorevanjem.

Če se je bencin razlil, zaženite motor z notranjim zgorevanjem šele, ko ste očistili površino, onesnaženo z bencinom. Ne zaganjajte naprave, dokler bencinski hlapi ne izhlapijo (obrišite do suhega).

Razlito gorivo oziroma olje je treba vedno pobrisati.

Če je bencin prišel v stik z oblačili, jih morate zamenjati.

Naprave z bencinom v rezervoarju nikoli ne shranjujte v zaprtih prostorih. Nastajajoči bencinski hlapi lahko pridejo v stik z odprtim ognjem ali iskrami in se pri tem vnamejo.

Če želite rezervoar izprazniti, morate to storiti na prostem.



4.3 Oblačila in oprema



Med delom imejte vedno obute trdne čevlje z oprijemljivim podplatom. Nikoli ne delajte bosi ali na primer v lahkih sandalih.



Med vzdrževanjem, čiščenjem in prevažanjem naprave vedno nosite robustne rokavice ter spnite in zavarujte dolge lase (z ruto, kapo itd.).



Pri delu z napravo morate nositi ustrezna in tesno prilagajoča se oblačila t.j. kombinezon, ne pa delovnih halj. Med delom z napravo ne nosite šala, kravate, nakita, visečih trakov ali vrvic ter drugih štrlečih oblačil.

Vrteči se deli se lahko dotaknejo las, oblačil ali delov oblačil oziroma jih lahko potegnejo s seboj. To lahko povzroči hude telesne poškodbe.

4.4 Transport naprave

Pri delu uporabljajte rokavice, da se ne poškodujete na ostrih robovih in vročih delih naprave.

Naprave ne prevažajte s prižganim motorjem z notranjim zgorevanjem. Pred transportom ugasnite motor z notranjim zgorevanjem, počakajte, da se delovna orodja ustavijo, in izvlcite vtič svečke.

Napravo prevažajte samo, ko je motor z notranjim zgorevanjem hladen in naprava ne vsebuje goriva.

Upoštevajte podatke v poglavju »Prevoz«. Tam je opisano, kako je treba napravo dvigovati oziroma privezovati. (⇒ 13.)

Napravo vedno nosite v dvoje – upoštevajte točke oprijema.

Pri nalaganju uporabite ustrezne pripomočke za nakladanje (nakladalne rampe, dvigalne naprave).

Zaradi varnostnih razlogov pri transportu in prekladanju, posebej pri uporabi nakladalnih ramp, ne smete preseči kota 15°.

Na nakladalni površini zavarujte napravo in z njo povezane dele z ustrezno dimenzioniranimi sredstvi za pritrjevanje (jermeni, vrvi itd.). Naprave nikoli ne prevažajte nepritrjene.

Podjetje STIHL priporoča, da motorni kultivator prevažate z ustrezno prikolico oziroma na ustrezni transportni površini, ne pa v notranjosti vozila (npr. prtljažniku).

Pri prevozu naprave upoštevajte veljavne krajevne predpise, zlasti glede varnosti pri natovarjanju in prevozu predmetov na tovornih površinah.

4.5 Pred delom

Zagotoviti morate, da z napravo delajo samo osebe, ki poznajo navodila za uporabo.

Pred zagonom naprave preverite sistem goriva glede tesnosti, zlasti vidne dele, kot so npr. rezervoar, pokrov rezervoarja in priključki cevi. Če odkrijete puščanje ali poškodbo, motorja z notranjim zgorevanjem ne zaženite – **Nevarnost požara!**

Napravo naj pred zagonom usposobi specializirani trgovec.

Upoštevajte lokalne predpise za čase uporabe vrtnih naprav z motorjem z notranjim zgorevanjem.

V celoti preverite zemljišče, na katerem boste uporabljali napravo, ter odstranite vse večje kamne, palice, žice, kosti in vse druge tujke, ki bi jih lahko naprava izvrgla z veliko hitrostjo.

Predmete, skrite v zemlji (razpršilni sistemi, količki, vodni ventili, temelji, električne napeljave itd.), je treba pred delom z napravo jasno označiti in se jim izogniti. Takih predmetov nikoli ne povozite.

Pred uporabo naprave zamenjajte okvarjene ter obrabljene in poškodovane dele. Nečitljiva ali poškodovana obvestila o nevarnostih in opozorila na napravi morate zamenjati. Nadomestne nalepke in druge nadomestne dele najdete pri pooblaščenem prodajalcu izdelkov STIHL.

Pred uporabo naprave preverite, ali je vtič svečke trdno nameščen na svečko.

Napravo lahko uporabljajte le v brezhibnem stanju. Pred vsakim zagonom preverite:

- ali je celotna naprava sestavljena skladno s predpisi;
- ali je varnostna oprema (na primer ročica za pogon, zaščitne letve, zaščitni plašči in pokrovi, krmilo, varovalna mreža) brezhibna in pravilno deluje. Naprave nikdar ne uporabljajte, če varnostnih naprav ni, so poškodovane ali izrabljene;
- ali so delovna orodja (sekalne zvezde), pritrditveni vijaki in razcepke nameščeni oziroma obrabljene ali poškodovani (zareze, razpoke). Obrabljene ali poškodovane dele zamenjajte;
- ali so delovna orodja (sekalne zvezde) varno in trdno pritrjena;
- ali ročice pogona delujejo in se normalno premikajo;
- ali je pokrov posode trdno pravit;
- ali so posoda in deli, ki so v stiku z gorivom, ter pokrov posode brezhibni;
- ali je pritrtilni vijak za olje trdno pravit;

- ali je uporabljena dodatna oprema celotna in po predpisih nameščena na napravo. Namestiti oz. uporabljati je treba vse sestavne dele, ki so priloženi v prodajnem kompletu naprave.

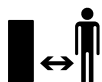
Po potrebi opravite vsa potrebna dela oziroma poiščite specializiranega trgovca. Podjetje STIHL priporoča pooblaščenega prodajalca izdelkov STIHL.

Zaščitne letve levo in desno so nastavljene na trenutno delovno širino in morajo biti vedno pravilno nameščene. Če pri modelih MH 445 in MH 445 R delovno širino povečate z dodatnimi sekalnimi zvezdami (dodatna oprema STIHL), morate na napravo namestiti tudi večji zaščitni letvi, ki sta priloženi dodatni opremi.

Napravo s transportnimi kolesi vlecite ali potiskajte na obdelovalno površino.

Pred začetkom uporabe odstranite vse predmete, ki ležijo na napravi (orodja, cunje itd.).

4.6 Med delom



Druge osebe naj se ne zadržujejo v območju nevarnosti! Nikoli ne delajte, kadar so v območju nevarnosti še živali ali druge osebe, posebej otroci.

Pozor! – Med delom se navzgor ali vstran izvržejo predmeti, kot so zemlja, kamni itd.

Napravo sme uporabljati samo ena oseba. Upravljaavec mora biti zaradi varnosti ves čas obratovanja motorja z notranjim zgorevanjem v delovnem območju. (⇒ 10.1)

Naprave med obratovanjem nikdar ne smete dvigovati, potiskati ali vleči s transportnim ročajem, zaščitno pločevino

ali drugimi deli naprave, razen ročajev na krmilu – še posebej pa tega ne sme početi nekdo drug.

Na napravo nameščenih stikalnih in varnostnih naprav ne smete odstraniti ali premostiti. Zlasti ročice za pogon nikoli ne pritrdite na zgornji del krmila (npr. s privezovanjem).



Pozor, nevarnost telesnih poškodb!

Rok in nog nikoli ne približujte vrtečim se delom ali jih postavljajte pod nje. Med sabo in kosilnico vedno ohranjajte varnostno razdaljo, ki jo določata krmilna ročaja. Varnostna razdalja ustreza dolžini krmila, ki je bilo vgrajeno in odprto po predpisih – krmila ne spreminjajte, prav tako pa nikdar ne uporabljajte naprave z obrnjenim krmilom.

Nikoli ne pritrjujte predmetov na krmilo (npr. delovne obleke).

Napravo uporabljajte le pri dnevni svetlobi ali dobri umetni osvetlitvi.

Z napravo ne delajte v dežju, med nevihtami in še posebej ne, če obstaja možnost udara strele.

Nevarnost nesreče se pri vlažni podlagi poveča zaradi zmanjšanega oprijema uporabnika.

Delajte posebej previdno, da preprečite zdrs. Če je mogoče, se izogibajte uporabi naprave na vlažnih tleh.

Naprave z nameščenimi sekalnimi zvezdami ne začnite uporabljati na asfaltni, tlakovani in drugih podobnih podlagah.

Ko delate v bližini pobočij, nagnjenih tal, odlagališč, jarkov in nasipov, napravo izredno previdno uporabljajte. Še posebej pazite na zadostno oddaljenost od takih nevarnih mest.

Izpušni plini:



Obstaja smrtna nevarnost zastrupitve!

V primeru slabosti, glavobola, motenj vida (na primer zmanjšano vidno polje) in sluha, vrtoglavice ali slabše koncentracije takoj prenehajte delati. Ti simptomi so med drugim lahko posledica prevelike koncentracije izpušnih plinov.



Naprava proizvaja strupene pline, takoj ko začne teči motor z notranjim zgorevanjem. Ti plini vsebujejo ogljikov monoksid, strupen plin, ki je brez barve in vonja, pa tudi druge škodljive snovi. Motorja z notranjim zgorevanjem nikoli ne uporabljajte v zaprtih ali slabo prezračenih prostorih.

Upoštevajte smer izpušnih plinov iz izpuha. Izpuha nikdar ne usmerjajte v ljudi.

Zagon:

Napravo zaženite previdno in po navodilih v poglavju »Začetek uporabe naprave« (⇒ 11.). Upoštevanje teh navodil pri zagonu zmanjšuje nevarnost poškodb.

Nevarnost poškodb!

Če zagonaska vrstica hitro skoči nazaj, se roka hitreje povleče k motorju z notranjim zgorevanjem, kot je mogoče spustiti zagonsko vrstico. Zaradi tega povratnega udara lahko pride do zlomov kosti, zmečkanin in zvinov.

Pazite, da s stopali ne stojite preblizu delovnih orodij.

Pri zagonu naprava ne sme biti nagnjena.

Pri zagonu ročica pogona ne sme biti pritisnjena.

Delo na pobočjih:

Pobočja vedno obdelajte prečno, nikoli vzdolžno.

Uporabnik nikdar ne sme stati na pobočju pod obratujočo napravo. Če izgubi nadzor, se lahko naprava prekucne nanj.

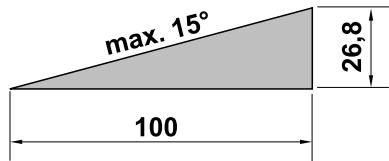
Še zlasti bodite previdni, ko spreminjate smer vožnje na pobočju.

Vedno pazite na stabilno stojišče in se izogibajte delu na preveč strmih pobočjih.

Naprava se lahko pri uporabi na pobočjih prevrne. Zaradi varnostnih razlogov naprave ni dovoljeno uporabljati na pobočjih z naklonom nad 15° (26,8 %).

Nevarnost telesnih poškodb!

Naklon pobočja 15° ustreza navpičnemu dvigu v višini 26,8 cm na 100 cm vodoravne dolžine.



Za zagotovitev zadostnega mazanja motorja z notranjim zgorevanjem je treba pri uporabi naprave na klancih dodatno upoštevati podatke v priloženih navodilih za uporabo motorja z notranjim zgorevanjem.

Uporaba:

! Nevarnost telesnih poškodb!

Rok ali nog nikoli ne približujte območjem nad in pod vrtečimi se deli oziroma jih ne postavljajte nanje.

Napravo vedno upravljajte z obema rokama – med obratovanjem morata biti obe roki na ročajih krmila. Nikdar ne delajte z eno roko.

Delovno globino regulirajte izključno s pritiskom na zavorno zagozdo.

Napravo na težavnih površinah (npr. trda ali kamnita tla) uporabljajte posebej previdno – zmanjšajte hitrost vrtenja delovnih orodij (nastavljanje plina).

Napravo vedno vodite korakoma. Pri delu z napravo nikoli ne tecite. Hitro vodenje naprave poveča nevarnost telesnih poškodb zaradi spotikanja, zdrsov itd.

Pozor, nevarnost telesnih poškodb!

Bodite posebno previdni in posebej pazite na zadostno razdaljo med delovnimi orodji (sekalne zvezde) in stopali, ko napravo potegnete k sebi ali ko pri napravah z vzvratno prestavo uporabljate vzvratno prestavo.

Pozor, nevarnost spotikanja!

Pri vzvratnem premikanju naprave pazite na ovire za uporabnikom.

Če se je naprava zataknila, ugasnite motor z notranjim zgorevanjem in odstranite vtič za svečko. Napravo skupaj s pomočnikom dvignite in sprostite.

Izklopite motor z notranjim zgorevanjem,

- če morate stroj nagniti za transport,
- če stroj potiskate stran od ali do obdelovalne površine,
- če napravo zapustite oziroma ostane nenadzorovana,
- preden dotočite gorivo. Gorivo dolivajte samo, ko je motor z notranjim zgorevanjem ohlajen. **Nevarnost požara!**
- če stroj potiskate ali vlečete po površini, ki ni namenjena obdelovanju.

Izklopite motor z notranjim zgorevanjem in snemite vtič za vžigalno svečko,

- preden sprostite blokade,
- preden napravo dvignete in nosite,
- preden napravo prevažate,
- preden napravo preizkusite ali očistite ali preden na njej izvajate druga dela (npr. preklapljanje krmila, odpiranje transportnega podvozja),
- če ste zadeli ob tujek ali če se začne naprava neobičajno močno tresti. V takih primerih preverite stroj in še posebej delovna orodja (sekalne zvezde, pritrditev sekalnih zvezd, pogonska gred), ali so poškodovana, ter pred ponovnim vklopom in delom opravite potrebna popravila.

! Nevarnost poškodb!

Močno tresenje praviloma opozarja na motnje.

Motornega kultivatorja zlasti ni dovoljeno začeti uporabljati v primerih, kadar ima upognjeno pogonsko gred ali poškodovana ali zvitla delovna orodja.

Če nimate potrebnih znanj, se za potrebna popravila vedno obrnite na strokovnjaka. Družba STIHL priporoča, da se obrnete na pooblaščenega prodajalca izdelkov STIHL.

4.7 Vzdrževanje in popravila

Pred začetkom čistilnih, namestitvenih, popraviljalnih in vzdrževalnih del:

- napravo postavite na trdna, ravna tla,
- motor z notranjim zgorevanjem ustavite in pustite, da se ohladi,

- izvlecite vtič za svečko.



Pozor, nevarnost telesnih poškodb!

Vtiča za svečko ne približujte svečki, saj sicer lahko pride do nenamerne iskre vžiga in s tem do požarov ali električnih udarov.

Nenameren stik svečke z vtičem za svečko lahko povzroči neželen zagon motorja z notranjim zgorevanjem.

Za vzdrževanje ali čiščenje napravo obrnite samo na zadnjo stran. Če napravo obrnete na stran ali naprej, lahko pride do poškodb motorja z notranjim zgorevanjem ali drugih delov naprave, kar pomeni draga popravila.

Pustite, da se naprava ohladi, še posebej pred začetkom vzdrževalnih del na motorju z notranjim zgorevanjem, izpušnem kolenu in dušilcu zvoka. Temperature lahko dosežejo tudi 80 °C ali več. **Nevarnost opeklin!**

Neposreden stik z motornim oljem je lahko nevaren. Poleg tega motornega olja ne smete razliti.

Podjetje STIHL priporoča, da dolivanje motornega olja oziroma menjavo tega prepustite specializiranemu prodajalcu STIHL.

Redno pregledujte celotno napravo, še posebej pred shranjevanjem naprave, na primer pred daljšimi prekinitvami dela (zimski premor), ali če opazite obrabo in poškodbe. Obrabljene ali poškodovane dele iz varnostnih razlogov takoj zamenjajte, da bo naprava vedno v brezhibnem stanju.

Čiščenje:

Celotno napravo po uporabi skrbno očistite. (⇒ 12.2)

Prilepljene ostanke odstranite z leseno palico. Spodnjo stran naprave očistite s ščetko in vodo.

Ne uporabljajte agresivnih čistil. Ta lahko poškodujejo umetne mase in kovine, kar lahko vpliva na varno uporabo vaše naprave STIHL.

Spodnjo stran naprave (dele pod zaščitno ploščevino) lahko čistite z visokotlačnim čistilnikom oziroma s parnim čistilnikom. Pri uporabi visokotlačnega čistilnika ostanite na razdalji najmanj 1 m ter vodnega curka nikdar ne usmerjajte neposredno na ležaje, pogonsko gred in tesnila – še posebej to velja za tesnilo med ohišjem menjalnika in zaščitno ploščevino.

Da se izognete nevarnosti požara, pazite, da na pokrovu motorja, še posebej na odprtinah za hlajenje zraka, hladilnih rebrih in v območju izpuha, ni na primer trave, slame, mahu, listja ali uhajajoče masti.

Vzdrževalna dela:

Izvajate lahko samo vzdrževalna dela, ki so opisana v teh navodilih za uporabo. Vsa druga vzdrževalna dela mora izvesti pooblaščen prodajalec.

Če nimate potrebnih znanj in pripomočkov, se **vedno** obrnite na pooblaščenega prodajalca.

Družba STIHL priporoča, naj vzdrževalna dela in popravila izvajajo samo pooblaščen prodajalci izdelkov STIHL. Pooblaščen prodajalci izdelkov STIHL se redno šolajo in dobivajo tehnične informacije.

Uporabljajte izključno orodje, dodatno opremo ali nadgradno opremo, ki jo je družba STIHL potrdila za to napravo, ali tehnično enake dele, saj v nasprotnem primeru obstaja nevarnost nesreč, pri

katerih lahko pride do telesnih poškodb ali škode na napravi. Če imate vprašanja, se obrnite na pooblaščenega prodajalca.

Originalno orodje, dodatna oprema in nadomestni deli STIHL so optimalno prilagojeni na napravo in zahteve uporabnika. Originalne nadomestne dele STIHL boste prepoznali po številki nadomestnega dela STIHL, po napisu STIHL, po potrebi pa tudi po oznaki nadomestnega dela STIHL. Manjši deli imajo lahko tudi samo znak.

Zaradi varnostnih razlogov morate dovodne sestavne dele za gorivo (cev za gorivo, pipo za gorivo, rezervoar za gorivo, pokrov rezervoarja, priključke itd.) redno pregledovati zaradi morebitnih poškodb in netesnih mest ter po potrebi poskrbeti, da jih zamenja strokovnjak (podjetje STIHL priporoča specializirane trgovce STIHL).

Nalepke z opozorili in napotki naj bodo vedno čiste in čitljive. Namesto poškodovane ali izgubljene nalepke si morate pri pooblaščenem prodajalcu izdelkov STIHL priskrbeti nove originalne napise. Če poškodovani sestavni del zamenjate z novim, pazite, da so na novem delu enake nalepke.

Poskrbite, da so matice, čepi in vijaki trdno pritrjeni; tako bo naprava v brezhibnem stanju.

Nikdar ne spreminjajte osnovnih nastavitev motorja z notranjim zgorevanjem in pazite, da število vrtljajev ne preseže dovoljene meje.

Če zaradi vzdrževanja odstranite sestavne dele ali zaščitne naprave, jih nemudoma skladno s predpisi znova namestite.

Pri menjavi delovnega orodja (sekalnih zvezd) upoštevajte tip in kombinacije sekalnih zvezd – dovoljene so samo izvedbe, ki jih je odobrilo podjetje STIHL.

4.8 Skladiščenje pri daljših prekinutih delih

Preden napravo postavite v zaprtem prostoru, počakajte, da se motor z notranjim zgorevanjem ohladi.

Napravo z izpraznjenim rezervoarjem in brez zaloge goriva shranjujte v zaprtem ter dobro zračnem prostoru.

Zavarujte napravo pred dostopom nepooblaščenih oseb (npr. otrok).

Naprave z bencinom v rezervoarju nikoli ne shranjujte v zaprtih prostorih. Nastajajoči bencinski hlapi lahko pridejo v stik z odprtim ognjem ali iskrami in se pri tem vnamejo.

Če morate rezervoar izprazniti, denimo ob prekinitvi uporabe pred zimskim premorom, to storite na prostem (na primer tako, da na prostem pustite teči motor z notranjim zgorevanjem).

Pred skladiščenjem (na primer pred zimo) napravo temeljito očistite.

Napravo skladiščite samo z odstranjenim vtičem za svečko.

Napravo shranite v brezhibnem stanju.

Naprava naj se popolnoma ohladi, preden jo pokrijete.

4.9 Odstranjevanje

Odpadni produkti, kot sta izrabljeno olje in gorivo, izrabljena mazalna sredstva, filtri, baterije in podobni obrabni deli, lahko škodijo ljudem, živalim in okolju ter jih morate zato ustrezno odstraniti.

Na centru za recikliranje ali pri svojem specializiranem trgovcu lahko izveste, kako se odpadne snovi strokovno odstrani. Podjetje STIHL priporoča pooblaščenega prodajalca izdelkov STIHL.

Zagotovite strokovno odstranitev odslužene naprave. Upoštevajte podatke v poglavju »Varovanje okolja«. (⇒ 14.)

5. Opis simbolov



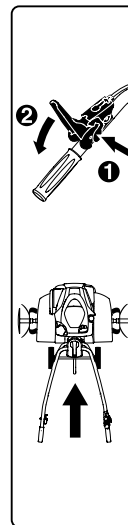
Pozor! – Nevarnost telesnih poškodb!

Pred začetkom uporabe preberite in upoštevajte navodila za uporabo ter varnostna navodila.

Vrteča se orodja: Dlani in stopal ne približujte vrtečim se orodjem. Obratovanje je dovoljeno samo z nameščenimi zaščitnimi pokrovi.

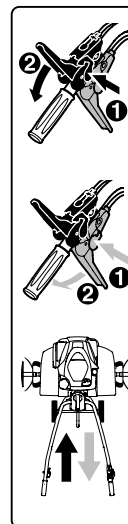
Pazite na varnostno razdaljo.

Pred vzdrževanjem in čiščenjem snemite vtič za svečko.



MH 445:

Pred uporabo ročice za pogon morate zaradi varnosti najprej pritisniti odklepno ročico. S tem preprečite nenamerni vklop ročice za pogon.



MH 445 R, MH 560, MH 585, MH 685:

Pred uporabo ročice za pogon morate zaradi varnosti najprej pritisniti ustrezno odklepno ročico. S tem preprečite nenamerni vklop ročice za pogon. Črna ročica za pogon je namenjena vožnji naprej, medtem ko je rdeča namenjena vožnji nazaj.



Nevarnost opeklin!

Ne dotikajte se vročih površin. Ohišje menjalnika se močno segreje.

6. Obseg dobave



Posta	Opis vka	Kosov
A	Osnovna naprava	1
B	Krmilo	1
C	Vpenjalna ročica	1
D	Transportno podvozje	1
E	Zavorna zagozda	1
F	Zaščitna letev levo	1
G	Zaščitna letev desno	1
H	MH 445, MH 445 R: Sekalna zvezda	4
I	MH 560, MH 585, MH 685: Dvojna sekalna zvezda	2
J	MH 585, MH 685: Enojna sekalna zvezda	2
K	Zaščitni obroč	2
L	Zaščitna plošča za rastline	2
M	Ročica pogona (naprej), črna	1
N	MH 445 R, MH 560, MH 585, MH 685: Ročica pogona (nazaj), rdeča	1
O	MH 445: Varnostna matica M6	1
P	MH 445: Pokrov	1
Q	Varnostna matica M6	1
R	Ploski okrogli vijak M6	1

Posta	Opis vka	Kosov
S	MH 445, MH 445 R, MH 585, MH 685: Razcepka 10 x 40 MH 560: Razcepka 10 x 40	6 4
T	Ploski okrogli vijak M8	2
U	Šestroba matica M8	2
V	Vežice za kable	2
–	Navodila za uporabo	1
–	Navodila za uporabo Motor z notranjim zgorevanjem	1
–	MH 560, MH 585, MH 685: Ključ za svečko	1

7. Priprava naprave na uporabo

7.1 Nasveti za montažo



Nevarnost poškodb!

Upoštevajte varnostna opozorila v poglavju »Za vašo varnost«. (⇒ 4.) Še posebej pomembno je, da izvlečete vtič svečke in pri vseh delih na sekalnih zvezdah uporabljajte močne zaščitne rokavice.

Upoštevajte podatke o vrtilnem momentu!

Kable za pogon in kabel za plin položite in vpnite samo, kot je opisano. Napačno montirani kabli za pogon (na primer napačno polaganje ali vpenjanje v napačno pogonsko ročico) lahko povzročijo okvare.

- Vsa opisana dela izvajajte na čisti, vodoravni, ravni in trdni podlagi.
- Upoštevajte položaj za montažo – vedno pazite na stabilno in trdno postavitve naprave.
- Upoštevajte tudi navodila za montažo kabla, posebej pa pazite, da kable na krmilo pritrдите z **vežicami za kable**, da preprečite poškodbe naprave (na primer pri preklopu krmila) ali morebitne okvare.

Ročica za pogon, kabli za pogon

MH 445:

- Črna ročica za pogon mora biti nameščena na zgornji strani krmila.
- En delovni kabel (naprej).

MH 445 R, MH 560, MH 585, MH 685:

- Črna ročica za pogon mora biti nameščena na zgornji strani krmila.
- Rdeča ročica za pogon mora biti nameščena na spodnji strani krmila.
- En delovni kabel (naprej). Kabel morate opremiti s **črnim pokrovčkom** in ga vpeti na črno ročico pogona.
- En delovni kabel (nazaj). Kabel morate opremiti z **rdečim pokrovčkom** in ga vpeti na rdečo ročico pogona.

7.2 Namestitev podvozja



- Položaj za namestitev: Osnovno napravo (A) postavite naprej, kot je prikazano, in za stabilizacijo na obeh pogonskih gredeh vstavite leseno podlogo (1) (višina 50 - 60 mm, širina/dolžina približno 100 mm).

- **1** Držalo (2) potisnite navzgor in pridržite.
- **2** Transportno podvozje (D) vstavite v odprtino (3) pri zatičih ročice za sprostitve (4).
- Transportno podvozje (D) potisnite do konca navzgor in pridržite.
- **3** Držalo (2) potisnite navzdol. Od spodaj vstavite vijake (T) z obeh strani.
- **4** Držalo (2) pritrdite tako, da privijete obe matici (U).

7.3 Namestitev zavorne zagozde



- Položaj za namestitev: glejte »Namestitev podvozja« (⇒ 7.2)
- Pritisnite in pridržite vijake za sprostitve (1).
- Zavorno zagozdo (E) od spodaj vstavite v adapter (2) in do konca potisnite navzgor.
- Odvijte vijake za sprostitve (1) in zavorno zagozdo (E) povlecite navzdol, da se zaskoči.
- Preverite trdno lego zavorne zagozde (E).

7.4 Namestitev krmila



- **1** Položaj za namestitev: glejte »Namestitev podvozja« (⇒ 7.2)
- Snemite elastiko (1).
- **2** Konzolo (2) dvignite in pridržite.

- **3** Krmilo (B) do konca centralno vstavite med konzolo (2) in spodnji del krmila (3) ter pridržite. Kraki vzmeti (4) morajo potekati vzdolž nastavljenih zareze (5), kot je prikazano na sliki. Nadzorujte na sliki prikazan položaj vzmeti (4) v nastavitvenem elementu (6), po potrebi obesite vzmet.
- **4** Privijte vijak (7).
- **5** Odvijte matico (8) na vpenjalni ročici (C) in jih odstranite z vzmetjo (9).
- Vpenjalno ročico (C) z vgrajenim vijakom od zgoraj potisnite skozi konzolo (2) in spodnji del krmila (3). Potisnite vzmet (9) na vpenjalno ročico (C). Matico (8) privijte za en obrat ali dva.



Opomba!

Vpenjalno ročico (C) namestite tako, da jo je za vpenjanje treba pritisniti naprej do motorja z notranjim zgorevanjem.

- **6** Izberite središčni položaj zgornjega dela krmila (3). (⇒ 11.3)
- Vpenjalno ročico (C) z roko pritisnite naprej.
- Matico (8) privijte z navorom 5 Nm (ne povsem do konca).
- Preverite pritrditev: Namestitev vpenjalne ročice (C) je bila uspešna, ko jo lahko upravljate z eno roko in je krmilo pri tem trdno pritrjeno na osnovno napravo.

- Nastavitev napetosti: Če krmilo ni dovolj dobro pritrjeno ali vpenjalne ročice ne morete upravljati z eno roko, zrahljajte vpenjalno ročico in prilagodite napetost s privijanjem oz. odvijanjem matice (8). Vpenjalno ročico nato znova potisnite naprej.



Nevarnost telesnih poškodb!

Napravo lahko potiskate oziroma vlečete samo z enim krmilom, ki je trdno pritrjeno na osnovno napravo (krmilo v napetem položaju ne sme biti zrahljano).

7.5 Odpiranje krmila



- Vpenjalno ročico (1) potegnite navzgor. Zgornji del krmila (2) odprite v smeri puščice.
- Vpenjalno ročico (1) potisnite do konca naprej.
- Nastavite višino krmila. (⇒ 11.2)

7.6 Namestitev zaščitnih letev



- Preverite vnaprej nameščene vijake (1) zaščitnih letev (F, G). Ne odvijte jih do konca.
- Motorni kultivator postavite v položaj za čiščenje. (⇒ 12.2)
- Levo zaščitno letev (F) s tremi vnaprej nameščenimi vijaki (1) vtaknite v tri izvrtine (2) na pločevinastem pokrovu.
- Zaščitno letev (F) potisnite naprej in jo pridržite.
- Vijake (1) privijte in zategnite z navorom 10 - 12 Nm.

- Preverite trdno lego zaščitne letve (F) in nato namestite desno zaščitno letev (G) na isti način.

7.7 Namestitev sekalnih zvezd MH 445, MH 445 R



- Motorni kultivator postavite v položaj za čiščenje. (⇒ 12.2)



Natančno upoštevajte navodila za namestitev. Posebej pazite na vrstni red in varovalne obroče, sekalne zvezde in razcepke namestite v celoti, kot je opisano. Pri namestitvi razcepke upoštevajte prikazano smer vtikanja in potek varovalnega loka. Ob napačni oziroma obrnjeni namestitvi se lahko razcepka sama od sebe sprosti in izgubi.

Za dober delovni rezultat morajo rezila sekalnih zvezd kazati naprej (ne proti krmilu) – upoštevajte puščice.

Definicija sekalne zvezde:

- Sekalna zvezda (1): enako velik zunanji premer nastavka za gred (2)
- Sekalna zvezda (3): drugačen zunanji premer nastavka za gred (4).



- Zaščitni obroč (K) potisnite do konca na pogonsko gred (5). Izrezani deli zaščitnega obroča se morajo združiti s tremi nastavki na ohišju menjalnika (6).

- Sekalno zvezdo (1) namestite tako, da **krajši** nastavek za gred (2) kaže proti ohišju menjalnika in z rezili (7) naprej. Puščice (8) na sekalni zvezdi in puščica (9) na ohišju menjalnika (6) morajo kazati v isto smer.

- Sekalno zvezdo (1) potisnite na pogonsko gred (5).
- Sekalno zvezdo (1) obrnite tako, da se izvrtine na nastavku za gred in pogonski gredi ujemajo.



- Razcepko (S) vtaknite skozi izvrtine in zaprite varovalni lok.



- Sekalno zvezdo (3) namestite tako, da **manjši** zunanji premer nastavka za gred (4) kaže proti že nameščeni sekalni zvezdi (1), rezila (7) pa kažejo naprej. Puščice (8) na sekalni zvezdi in puščica (9) na ohišju menjalnika (6) morajo kazati v isto smer.

- Sekalno zvezdo (3) namestite v že nameščeno sekalno zvezdo (1).
- Sekalno zvezdo (3) obrnite tako, da se izvrtine na obeh sekalnih gredah ujemajo.



- Razcepko (S) vtaknite skozi izvrtine in zaprite varovalni lok.
- Po potrebi namestite zaščitno ploščo za rastline. (⇒ 7.9)
- Namestitev sekalnih zvezd ponovite še na drugi strani.

7.8 Namestitev sekalnih zvezd MH 445, MH 585, MH 685



- Motorni kultivator postavite v položaj za čiščenje. (⇒ 12.2)



Natančno upoštevajte navodila za namestitev. Posebej pazite na vrstni red in varovalne obroče, sekalne zvezde in razcepke namestite v celoti, kot je opisano. Pri namestitvi razcepke upoštevajte prikazano smer vtikanja in potek varovalnega loka. Ob napačni oziroma obrnjeni namestitvi se lahko razcepka sama od sebe sprosti in izgubi.

Za dober delovni rezultat morajo rezila sekalnih zvezd kazati naprej (ne proti krmilu) – upoštevajte puščice.

Definicija sekalne zvezde:

- Sekalna zvezda (I): dvovrstna sekalna zvezda.
- Sekalna zvezda (J): enovrstna sekalna zvezda.

1 MH 560, MH 585, MH 685

- Zaščitni obroč (K) potisnite do konca na pogonsko gred (1). Izrezani deli zaščitnega obroča se morajo združiti s tremi nastavki na ohišju menjalnika (2).
- Sekalno zvezdo (I) namestite tako, da je **krajši** nastavek za gred (3) obrnjen proti ohišju menjalnika in so rezila (4) usmerjena naprej. Puščice (5) na sekalni zvezdi in puščica (6) na ohišju menjalnika (2) morajo kazati v isto smer.
- Sekalno zvezdo (I) potisnite na pogonsko gred (1).

- Sekalno zvezdo (I) obrnite tako, da se izvrtine na nastavku za gred in pogonski gredi ujemajo.

2 MH 560, MH 585, MH 685

- Razcepko (S) vtaknite skozi izvrtine in zaprite varovalni lok.

3 MH 585, MH 685

- Sekalno zvezdo (J) namestite tako, da je **manjši** zunanji premer nastavka za gred (7) obrnjen proti že nameščeni sekalni zvezdi (I), rezila (4) pa so usmerjena naprej. Puščice (5) na sekalni zvezdi in puščica (6) na ohišju menjalnika (2) morajo kazati v isto smer.
- Sekalno zvezdo (J) namestite v že nameščeno sekalno zvezdo (I).
- Sekalno zvezdo (J) obrnite tako, da se izvrtine na obeh sekalnih gredah ujemajo.

4 MH 585, MH 685

- Razcepko (S) vtaknite skozi izvrtine in zaprite varovalni lok.

MH 560, MH 585, MH 685

- Po potrebi namestite zaščitno ploščo za rastline. (⇒ 7.9)
- Namestitev sekalnih zvezd ponovite še na drugi strani.

7.9 Namestitev zaščitne plošče za rastline



Pri namestitvi razcepke natančno upoštevajte prikazano smer vtikanja in potek varovalnega loka. Ob napačni oziroma obrnjeni namestitvi se lahko razcepka sama od sebe sprostí in izgubi.

- Natakните zaščitno ploščo za rastline (L) na zunanje sekalne zvezde. Zaščitno ploščo za rastline obrnite tako, da se izvrtine na plošči in na sekalni zvezdi pokrivajo.
- Razcepko (S) vtaknite skozi izvrtine in zaprite varovalni lok.
- Postopek ponovite še na drugi strani.

7.10 Namestitev ročice za pogon



- Upoštevajte nasvete za montažo. (⇒ 7.1)
- Črno ročico za pogon (M) z vgrajenim vijakom (1) od zgoraj vtaknite skozi izvrtino na zgornjem delu krmila.
- MH 445: Privijte varovalno matico (O) in jo zategnite z navorom 7 - 9 Nm. Natakните pokrov (P).
- MH 445 R, MH 560, MH 585, MH 685: Rdečo ročico za pogon (N) postavite tako, da lahko vijak črne ročice privijete v matico, vgrajeno v rdečo ročico. Rdečo ročico pogona (N) potisnite navzgor h krmilu. Vijak (1) privijte in zategnite z navorom 7 - 9 Nm.

7.11 Napeljevanje pogonskega kabla



- Upoštevajte nasvete za namestitev. (⇒ 7.1)
- **1** Odvijte pogonski kabel (naprej) (1) in ga obesite na nosilec (2).
- **2** Matice (3) privijte z 2 - 4 Nm.

- Pogonski kabel (naprej) (1) napeljite navzgor tako:
 - A** Pogonski kabel (naprej) (1) speljite nad zgornjim delom krmila (4).
 - B** Pogonski kabel (naprej) (1) položite pod prečnik (5) zgornjega dela krmila.
- MH 445 R, MH 560, MH 585, MH 685: Pogonski kabel (nazaj) (6) položite na desni strani motorja z notranjim zgorevanjem pod ročico za krmiljenje (7). Kabel na krmilu speljite navzgor enako kot pogonski kabel (naprej).

7.12 Pripenjanje pogonskega kabla



- Upoštevajte nasvete za namestitev. (⇒ 7.1)

Pogonski kabel (naprej):

- Nastavek pletenice (1) pogonskega kabla vstavite v črno ročico za pogon (M) s črnim pokrovčkom (2) naprej.
- Bradavico (1) napeljite skozi odprtino (3) ročice (4). Za to po potrebi uporabite primerne kleščice.
- S primernimi kleščami potegnite za bradavico (1) in jo kot prikazano vstavite v ročico (4).
- Pokrovček (2) pritisnite navzgor k ročici za pogon (4) in pustite, da se zaskoči.
- **Preverjanje delovanja:** Uporabite ročico za pogon. (⇒ 8.2) Ročica za pogon se mora zlahka premikati.

Delovni kabel (nazaj)

MH 445 R, MH 560, MH 585, MH 685:

- Bradavico kabla z rdečim pokrovčkom za pogon vstavite v rdečo ročico za pogon.
- Nadaljnja namestitvev je enaka kot pri namestitvi kabla za pogon (naprej).

7.13 Napeljevanje in namestitvev kabla za plin



- Upoštevajte nasvete za namestitvev. (⇒ 7.1)
- Odvijte kabel za plin (1) in ga napeljite tako:
 - A** Kabel za plin speljite nad zgornjim delom krmila (2).
 - B** Kabel za plin položite pod prečnik (3) zgornjega dela krmila.
- Vijak (T) vstavite v izvrtino ohišja kabla za plin (4). Ohišje kabla za plin z vstavljenim vijakom z notranje strani natakните na zgornji del krmila in pridržite. Privijte varovalno matico (U) in jo zategnite z navorom 7 - 9 Nm.

7.14 Pritrditev kablov na krmilo



- Upoštevajte nasvete za namestitvev. (⇒ 7.1)
- MH 445:
Pogonski kabel (1) z vezico za kable (V) pritrdite na desno stran zgornjega dela krmila.
- MH 445 R, MH 560, MH 585, MH 685:
Oba pogonska kabla (1, 2) z vezico za kable (V) pritrdite na desno stran zgornjega dela krmila.

- Kabel za plin (3) z vezico za kable (V) pritrdite na levo stran zgornjega dela krmila.
- Preverite trdno lego vezic za kable. Odrežite štrleče dele vezic.

7.15 Gorivo in motorno olje



Preprečujte okvare na napravi!

Pred prvim zagonom je treba v napravo doliti motorno olje. Za dolivanje motornega olja oziroma polnjenje uporabljajte primeren pripomoček za polnjenje (npr. lijak).

Motorno olje:

Ustrezno vrsto in količino motornega olja najdete v navodilih za uporabo motorja z notranjim zgorevanjem.

Redno preverjajte raven polnjenja (glejte navodila za uporabo motorja z notranjim zgorevanjem).

Izogibajte se uporabi s preveliko ali premajhno količino olja. Pokrov rezervoarja za olje privijte po navodilih pred zagonom motorja z notranjim zgorevanjem.



Gorivo:

Priporočilo:
sveže pogonsko gorivo znane blagovne znamke, neosvinčeni bencin.
Podatke o kakovosti goriva (oktansko število) poiščite v navodilih za uporabo motorja z notranjim zgorevanjem.



8. Upravljalni elementi

8.1 Ročica za nastavljanje plina



Z ročico za nastavljanje plina (1) lahko regulirate število vrtljajev motorja z notranjim zgorevanjem.

Položaj za zagon:

- Ročico za nastavljanje plina (1) potegnite do konca **nazaj**.
- Motor z notranjim zgorevanjem lahko zaženete. (⇒ 11.6)



Položaj za zaustavitev:

- Ročico za nastavljanje plina (1) potegnite do konca **naprej** (upoštevajte zaskočno mesto).
- Motor z notranjim zgorevanjem se po nekaj sekundah ustavi.



Nastavljanje vrtljajev:

- Ročico za nastavljanje plina (1) premaknite, ko motor z notranjim zgorevanjem deluje.

Število vrtljajev motorja:

Hitro



Počasi



8.2 Ročica pogona



Z aktiviranjem ročice za pogon (1, 3) se pri delujočem motorju z notranjim zgorevanjem pogon vklopi oziroma izklopi – pogonska gred se začne vrteti oziroma se zaustavi.

S **črno** ročico pogona (naprej) (1) se motorni kultivator pri stiku s tlemi in nameščenimi sekalnimi zvezdami začne premikati **naprej**.

Z **rdečo** ročico pogona (nazaj) (3) se motorni kultivator pri stiku s tlemi in nameščenimi sekalnimi zvezdami začne premikati **nazaj**.

Zaradi varnostnih razlogov so pogonske ročice mehansko zaščitene pred nenamernim vklopom. (⇒ 9.1)
Poleg tega je pri modelih MH 445 R, MH 560, MH 585, MH 685 zaradi mehanske zaščite vedno lahko pritisnjena samo ena ročica pogona – ali ročica pogona (naprej) ali ročica pogona (nazaj).



Izogibajte se okvaram na napravi!

Ročico pogona aktivirajte hitro in dokončno, ne puščajte je v na pol pritisnjem položaju – v nasprotnem primeru lahko pride do velike obrabe klinastega jermena.

Aktivirajte ročico za pogon (naprej):



- **1** Ročico za sprostitvev (2) pritisnite do konca proti ročici za pogon (naprej) (1) in jo držite.
- **2** Ročico za pogon (naprej) (1) hitro pritisnite do konca in jo držite.
- Spustite odklepno ročico (2). Sklopka pogona je vključena in pogonska gred se vrti.
- **3** Izključite pogon:
Spustite ročico za pogon (naprej) (1).

Aktivirajte ročico za pogon (nazaj) (MH 445 R, MH 560, MH 585, MH 685):



- **1** Ročico za sprostitvev (4) pritisnite do konca proti ročici za pogon (nazaj) (3) in jo držite.
- **2** Ročico za pogon (nazaj) (3) hitro pritisnite do konca in jo držite.
- Spustite odklepno ročico (4). Sklopka pogona je vključena in pogonska gred se vrti.
- **3** Izključite pogon:
Spustite ročico za pogon (nazaj) (3).

9. Varnostna oprema

Naprava ima varnostno opremo, ki napravi omogoča varno delovanje in jo varuje pred nepooblaščenno uporabo.



Nevarnost poškodb!

Na napravo nameščenih stikalnih in varnostnih naprav ne smete odstraniti, premostiti, spremeniti ali poškodovati. Če na varnostni opremi ugotovite tovrstno napako, naprave ne smete uporabiti. Obrnite se na pooblaščenega prodajalca. Družba STIHL priporoča pooblaščenega prodajalca izdelkov STIHL.

9.1 Blokada ročice za pogon

Zaradi varnostnih razlogov so pogonske ročice mehansko zaščitene, tako da nenamerno aktiviranje ni mogoče.

Da lahko pritisnete ročico za pogon, morate najprej pritisniti ustrezno ročico za sprostitvev. (⇒ 8.2)

9.2 Zaščitne naprave

Motorni kultivator je opremljen z zaščitnimi napravami, ki preprečujejo nenameren stik z delovnimi orodji in nudijo zaščito pred izvrženimi predmeti.

K tem spadajo stranske zaščitne letve, zaščitna pločevina in pravilno nameščeno krmilo.

10. Napotki za delo

10.1 Delovno območje upravljavca



- Upravljavca mora biti zaradi varnosti ves čas obratovanja (pri delujočem motorju z notranjim zgorevanjem) v delovnem območju (siva površina 1).
- Motorni kultivator mora upravljati samo ena oseba, ostali pa se morajo zadrževati zunaj nevarnega območja. (⇒ 4.)

10.2 Delovni položaj naprave



- Motorni kultivator je dovoljeno začeti uporabljati samo, ko stoji na tleh (z motorjem z notranjim zgorevanjem zgoraj). Med celotnim trajanjem obratovanja morate motorni kultivator voziti čim bolj vodoravno. Izogibajte se močnemu nagibanju ali prevračanju.

10.3 Kombinacije sekalnih zvezd



Na levo in desno pogonsko gred vedno namestite enako število sekalnih zvezd.

Zaščitno ploščo za rastline lahko namestite pri vseh opisanih kombinacijah sekalnih zvezd. Ta ščiti rastline v okolici naprave, na primer pri okopavanju v ozki gredi.

Mogoče kombinacije MH 445, MH 445 R:

- 2 sekalni zvezdi:
po ena enovrstna sekalna zvezda na vsaki pogonski gredi
- 4 sekalne zvezde:
po dve enovrstni sekalni zvezdi na vsaki pogonski gredi

Mogoče kombinacije MH 560:

- 2 sekalni zvezdi:
po ena dvovrstna sekalna zvezda na vsaki pogonski gredi

Mogoče kombinacije MH 585, MH 685:

- 2 sekalni zvezdi:
po ena dvovrstna sekalna zvezda na vsaki pogonski gredi
- 4 sekalne zvezde:
po ena dvovrstna sekalna zvezda in po ena enovrstna sekalna zvezda na vsaki pogonski gredi

10.4 Idealna telesna drža med delom



Idealna telesna drža med delom preprečuje prehitro utrujenost.

V ta namen napravo (nastavitev krmila po višini, nastavitev zavorne zagozde) nastavite tako, da lahko med celotnim delovnim časom stojite vzravnano (hrbet).

Idealna telesna drža:

- zravnani hrbet
- iztegnjene noge
- podlahti usmerjene rahlo navzdol

11. Začetek uporabe naprave

11.1 Pripravljalni ukrepi



Nevarnost telesnih poškodb!

Upoštevajte varnostna navodila v poglavju »Za vašo varnost« (⇒ 4.) in se seznanite z upravljalnimi elementi motornega kultivatorja. (⇒ 8.)

- Preverite nivo motornega olja in ga po potrebi dolijte. (⇒ 7.15)

11.2 Nastavitev višine zgornjega dela krmila



Zgornji del krmila lahko nastavite po višini.

- Odprite transportno podvozje. (⇒ 11.4)
- Z eno roko trdno primite zgornji del krmila (1) za držalo (2) in ga pridržite.
- Z drugo roko potegnite vpenjalno ročico (3) nazaj in jo pridržite.
- Zgornji del krmila (1) nastavite v zeleni položaj.
- Potisnite vpenjalno ročico (3) naprej in pri tem pazite, da se zgornji del krmila znova v celoti zaskoči in pritrdi.

- Po potrebi zložite transportno podvozje. (⇒ 11.4)

11.3 Stranska nastavitev krmila



Nastavite lahko 3 položaje krmila v stranski smeri.

- Odprite transportno podvozje. (⇒ 11.4)
- Z eno roko trdno primite zgornji del krmila za držalo.
- Vpenjalno ročico (1) z roko potegnite navzgor.
- Krmilo postavite v zeleni položaj. Pri tem pazite, da je nastavek (2) v eni od treh možnih lukenj (3).
- Vpenjalno ročico (1) z roko potisnite naprej in pritrdite krmilo.
- Preizkusite trdnost pritrditve krmila.
- Po potrebi zložite transportno podvozje. (⇒ 11.4)

11.4 Odpiranje in zapiranje transportnega podvozja



S transportnim podvozjem lahko motorni kultivator prevažate tako, da ga potiskate ali vlečete.



Nevarnost telesnih poškodb!

Kadar je transportno podvozje v delovnem položaju (zaprto navzgor) in je odklepna ročica pritisnjena, se lahko transportno podvozje samo od sebe postavi v položaj za transport.

Odpiranje transportnega podvozja – položaj za transport:

- Transportno podvozje (1) rahlo dvignite z eno roko in pridržite.

- Pritisnite odklepno ročico (2).
- Transportno podvozje (1) do konca zložite navzdol in popustite odklepno ročico (2). Transportno podvozje se zaklene in je pritrjeno.

Zložite transportno podvozje – delovni položaj:

- Transportno podvozje (1) primite z eno roko in ga rahlo dvignite, da ga razbremenite.
- Pritisnite odklepno ročico (2) in transportno podvozje zložite navzgor.
- Popustite odklepno ročico (2) in transportno podvozje do konca zložite navzgor. Transportno podvozje se zaklene in je pritrjeno v delovnem položaju.

11.5 Nastavitev položaja zavorne zagozde



Z zavorno zagozdo lahko med obdelavo tal spreminjate upor in s tem hitrost premikanja naprej. Za boljše upravljanje so na voljo 3 stopnje delovanja zavorne zagozde.

Spreminjanje položaja zavorne zagozde:

- Odprite transportno podvozje v položaj za transport. (⇒ 11.4)
Pazite na stabilno in trdno postavitve naprave.
- Pritisnite in pridržite vijake za sprostitvev (1).
- Zavorno zagozdo (2) postavite v zeleni položaj.
- Popustite vijake za sprostitvev (1) in pazite, da se zavorna zagozda zaskoči.

11.6 Zagon motorja z notranjim zgorevanjem



- Ročico za nastavljanje plina nastavite v zagonski položaj. (⇒ 8.1)
- Trdno primite ročaj zagonske vrvice (1) in ga držite.
- Zagonsko vrstico (1) počasi potegnite do odpora kompresije. Nato jo močno in hitro v enem potegu potegnite za celotno dolžino svoje roke. Zagonsko vrstico (1) počasi vrnite nazaj, tako da jo lahko zaganjalnik znova navije. Postopek ponavljajte, dokler motor z notranjim zgorevanjem ne steče.

11.7 Zaustavitev motorja z notranjim zgorevanjem

- Za izklop motorja z notranjim zgorevanjem postavite ročico za nastavljanje plina na položaj za zaustavitev. (⇒ 8.1)
Motor z notranjim zgorevanjem se po krajšem času izteka zaustavi.

11.8 Izklop in vklop pogona (naprej)

Vklop pogona (naprej):

- Motorni kultivator z ustavljenim motorjem z notranjim zgorevanjem transportirajte do površine, kjer ga boste uporabljali. (⇒ 13.)
- Zaženite motor z notranjim zgorevanjem. (⇒ 11.6)
- Motorni kultivator z obema rokama primite za držala.

- Aktivirajte črno ročico za pogon (naprej) in jo držite. (⇒ 8.2)
Pogonska gred z nameščenim delovnim orodjem se začne vrteti, tako da se začne motorni kultivator premikati naprej.

Izklop pogona (naprej):

- Spustite ročico za pogon (naprej). (⇒ 8.2)
Pogonska gred z nameščenimi delovnimi orodji se ustavi.

11.9 Izklop in vklop pogona (nazaj) (MH 445 R, MH 560, MH 585, MH 685)

Motorni kultivatorji MH 445 R, MH 560, MH 585, MH 685 so opremljeni z vzvratno prestavo.

Vzvratna prestava je pri obdelavi tal namenjena izključno za lažjo osvoboditev, ko se motorni kultivator zatakne. Vzratna prestava ni namenjena za okopavanje.



Nevarnost telesnih poškodb!

Pred vklopom pogona (nazaj) pazite, da je med krmilom in telesom uporabnika vedno dovolj prostora.

Vklop pogona (nazaj):

- Motorni kultivator z ustavljenim motorjem z notranjim zgorevanjem transportirajte do površine, kjer ga boste uporabljali. (⇒ 13.1)
- Zaženite motor z notranjim zgorevanjem. (⇒ 11.6)
- Motorni kultivator z obema rokama primite za držala.

- Aktivirajte **rdečo** ročico za pogon (nazaj) in jo držite. (⇒ 8.2)
Pogonska gred z nameščenim delovnim orodjem se začne vrteti, tako da se začne motorni kultivator premikati nazaj.

Izklop pogona (nazaj):

- Spustite ročico za pogon (nazaj). (⇒ 8.2)
Pogonska gred z nameščenimi delovnimi orodji se ustavi.

11.10 Okopavanje

Pri okopavanju z vrtečimi sekalnimi zvezdami razrahljamo tla, ki jih tako pripravimo na setev, pozidavo ali nego rastlin.



Nevarnost poškodb!

Okopavajte samo v smeri naprej. Med delom pazite na ovire (npr. kamnite plošče na poteh), ki jih ne smete povoziti.

- Motorni kultivator z ustavljenim motorjem z notranjim zgorevanjem transportirajte do površine, kjer ga boste uporabljali. (⇒ 13.1)
- Zložite transportno podvozje. (⇒ 11.4)
- Zaženite motor z notranjim zgorevanjem. (⇒ 11.6)
- Motorni kultivator primite za ročaja z obema rokama in se postavite v stabilno držo – upoštevajte delovno območje upravljavca. (⇒ 10.1)
- Aktivirajte in držite ročico za pogon (naprej). (⇒ 11.8)
Sekalne zvezde se začnejo vrteti, postopek okopavanja lahko začnete.

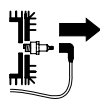
- Po delu odklopite pogon (⇒ 11.8), ugasnite motor (⇒ 11.7) in očistite napravo (⇒ 12.2).

12. Vzdrževanje



Nevarnost telesnih poškodb!

Pred vzdrževalnimi deli in čiščenjem naprave skrbno preberite in natančno upoštevajte vse varnostne napotke v poglavju »Za vašo varnost« (⇒ 4.), še zlasti podpoglavje »Vzdrževanje in popravila« (⇒ 4.7).



Pred vzdrževanjem ali čiščenjem snemite vtič za svečko!

12.1 Odstranjevanje sekalne zvezde



Če sprostite zaponko poleg ohišja menjalnika, lahko celotno orodje za okopavanje z zaščitno ploščo za rastline snamete s pogonske gredi. Za namestitev sekalnih zvezd glejte navodila v poglavjih Namestitev sekalnih zvezd (⇒ 7.7), (⇒ 7.8) in Kombinacije sekalnih zvezd (⇒ 10.3).

- Naprava (motor z notranjim zgorevanjem, menjalnik) naj se popolnoma ohladi.
- Motorni kultivator postavite v položaj za čiščenje. (⇒ 12.2)
- Odstranitev zaščitne plošče za rastline: Dvignite varovalni lok zaponke (1) in snemite zaponko. Snemite zaščitno ploščo za rastline (2).

- Odstranjevanje sekalne zvezde: Dvignite varovalni lok zaponke (3) in snemite zaponko. V celoti snemite sekalne zvezde (4).
- Zaščitne obroče (5) odstranite in shranite na varnem mestu – ne smete jih izgubiti.

12.2 Čiščenje naprave



Vzdrževalni interval:

Po vsaki uporabi

- Po vsaki uporabi celotno napravo temeljito očistite. Skrbno ravnanje ščiti napravo in podaljšuje njeno življenjsko dobo.
- Naprava naj se pred čiščenjem popolnoma ohladi. Izvlecite vtič za svečko, pri čiščenju menjalnika in sekalnih zvezd pa nosite dolge rokave in močne rokavice.

Položaj za čiščenje:



Izogibajte se okvaram na napravi!

Motorni kultivator v prikazani položaj postavite samo za krajši čas (čistilna in vzdrževalna dela). Pri skladiščenju napravo postavite pokončno.

- Odprite transportno podvozje. (⇒ 11.4)
- Zgornji del krmila postavite v najbolj zgornji položaj. (⇒ 11.2)
- Motorni kultivator postavite na površino, ki ima trdno in ravno podlago.
- Napravo nagnite nazaj, dokler krmilo ne doseže tal.

Napotki za čiščenje:

- Umazanijo in pritrjene ostanke odstranite s ščetko, mokro krpo ali leseno palico – ne uporabljajte agresivnih čistil. Podjetje STIHL priporoča uporabo posebnega čistila (npr. posebno čistilo STIHL).
- Vodnega curka nikdar ne usmerite na krmilo, dele motorja z notranjim zgorevanjem, tesnila in ležaje. To ima lahko za posledico draga popravila.
- **Motor z notranjim zgorevanjem:** hladilna rebra, ventilator, okolico zračnega filtra, izpuh itd. očistite, da zagotovite zadostno hlajenje motorja z notranjim zgorevanjem.
- **Ohišje menjalnika, podvozje in sekalne zvezde** lahko čistite z vodnim curkom oz. visokotlačnim čistilnikom.



Izogibajte se okvaram na napravi!

Pri uporabi visokotlačnega čistilnika ostanite na razdalji **najmanj 1 m** in vodnega curka nikdar ne usmerjajte neposredno na ležaje, pogonsko gred in tesnila – še posebej to velja za tesnilo med ohišjem menjalnika in zaščitno pločevino.

12.3 Motor z notranjim zgorevanjem

Vzdrževalni interval: pred vsako uporabo

Preverite stanje motornega olja (glejte navodila za uporabo motorja z notranjim zgorevanjem).

Upoštevajte navodila za uporabo in vzdrževanje, ki si jih lahko ogledate v priloženih navodilih za uporabo motorja z notranjim zgorevanjem.

12.4 Servisni intervali



Izogibajte se okvaram na napravi!

Vzdrževalna dela na menjalniku lahko izvaja izključno pooblaščen prodajalec.

Vzdrževanje s strani pooblaščenega prodajalca: Pri zasebnih uporabnikih enkrat letno

Motorni kultivator mora enkrat letno vzdrževati pooblaščen prodajalec. Družba STIHL priporoča pooblaščenega prodajalca izdelkov STIHL.

Vzdrževanje s strani uporabnika:

- **Pred vsakim zagonom**
Preverite stanje motornega olja (glejte navodila za uporabo motorja z notranjim zgorevanjem)
- **Po vsaki uporabi**
Očistite napravo. (⇒ 12.2)

12.5 Shranjevanje in daljša neuporaba (zimski premor)



Motorni kultivator skladiščite v normalnem stanju (odprto transportno podvozje). Za prihranek prostora pri skladiščenju krmilo prepognite nazaj, kot je prikazano.



Nevarnost prevračanja!

Motorni kultivator se lahko prevrne naprej, kadar so sekalne zvezde v neprimernem položaju. Zato vedno preverite, ali je motorni kultivator postavljen stabilno.

Po potrebi sekalne zvezde rahlo zavrtite, da zmanjšate težo zgornjega dela. Motorni kultivator lahko pri shranjevanju podprete na predelu nosilnega ročaja.

Napravo shranjujte v suhem, zaprtem prostoru s čim manj prahu. Naprava mora biti shranjena zunaj dosega otrok.

Morebitne okvare je treba odpraviti pred skladiščenjem. Napravo morate vedno shranjevati v brezhibnem stanju. Trdno privijte matice, čepe in vijake, zamenjajte nečitljiva opozorila o nevarnostih in napotke na napravi, preverite obrabo in poškodbe na celotnem stroju. Obrabljene in poškodovane dele zamenjajte.

Kadar naprava dalj časa ne obratuje (čez zimo), upoštevajte še naslednja navodila:

- Skrbno očistite vse zunanje dele naprave.
- Izpraznite posodo za gorivo in uplinjač.
- Vse premične dele dobro naoljite oz. namastite.
- Odvijte svečko (glejte navodila za uporabo motorja z notranjim zgorevanjem) in skozi odprtino za svečko napolnite motor z notranjim zgorevanjem s približno 3 cm³ motornega olja. Motor z notranjim zgorevanjem nekajkrat zavrtite brez svečke (potegnite zagonsko vrstico).



Nevarnost požara!

Zaradi nevarnosti vžiga vtiča za svečko ne približujte odprtini za svečko.

- Znova privijte svečko (glejte navodila za uporabo motorja z notranjim zgorevanjem).
- Zamenjajte olje (glejte navodila za uporabo motorja z notranjim zgorevanjem).
- Pokrijte motor z notranjim zgorevanjem in napravo shranite v normalnem stanju.

13. Transport

13.1 Transport motornega kultivatorja



Nevarnost telesnih poškodb!

Upoštevajte varnostna navodila v poglavju »Za vašo varnost« (⇒ 4.), posebej razdelek »Transport« (⇒ 4.4).

Pred transportom ugasnite motor z notranjim zgorevanjem, izvlecite vtič za svečko in oblecite ustrezna varnostna oblačila (varnostne čevlje, rokavice in kombinezon, ki pokriva roke in noge).

Upoštevajte težo! (⇒ 18.)

1 Vleka ali potiskanje motornega kultivatorja:

- Zavorno zagozdo postavite v najvišji položaj. (⇒ 11.5)
- Odprite transportno podvozje. (⇒ 11.4)
- Motorni kultivator primite za oba ročaja (1) in ga nagnite nazaj, dokler naprava ne stoji na transportnih kolesih.

- Motorni kultivator vlecite ali potiskajte počasi (s hitrostjo hoje). Na gladki in ravni površini napravo potiskajte, na neravni površini pa je bolje, da jo vlečete.



Nevarnost telesnih poškodb!

Zaradi teže naprave je pri stopnicah, previsih, poševnih rampah in drugih dvignjenih delih potrebna posebna previdnost. Uporabnik mora biti vedno nad napravo, da ga pri izgubi nadzora naprava ne povozi – to pomeni, da morate napravo prek robov oziroma po klančinah potiskati navzdol oziroma vleči navzgor. Napravo potiskajte oziroma vlecite prek največ 2 ali 3 stopnic! Če morate prečkati več stopnic, motorni kultivator prenesite skupaj s pomočnikom.

2 Dvigovanje ali nošnja motornega kultivatorja:

- Preizkusite trdnost pritrditve zgornjega dela krmila.
 - Motorni kultivator dvigujte oziroma nosite najmanj v dvoje, pri tem pa vedno pazite na ustrezno razdaljo od sekalnih zvezd.
- Prijemališča:**
Ročaja (1) in nosilni ročaj (2)

3 Motorni kultivator prenesite na tovorno površino:

- Motorni kultivator vedno prevažajte v **pokončnem** položaju – na transportnem podvozju in sekalnih zvezdah. Naprave nikdar ne položite na bok.

- Za stabilno postavitev odprite transportno podvozje (⇒ 11.4) in namestite sekalne zvezde (⇒ 7.7), (⇒ 7.8).
 - Motorni kultivator pritrdite, da ne more zdrsniti, oziroma ga s pletenicami ali trakovi pritrdite na transportno površino.
- Pritrdilne točke:**
Os transportnega podvozja (3) in os sekalnih zvezd (4).

14. Varovanje okolja



Embalaža, naprava in oprema so narejene iz materialov, ki se lahko reciklirajo in jih je treba temu primerno odstraniti.

Ločeno, okolju prijazno odlaganje ostankov materiala spodbuja reciklažo vrednih materialov. Zato napravo po izteku življenjske dobe dostavite centru za zbiranje in predelavo surovin.

14.1 Odstranjevanje

Staro olje (motorno olje, menjalniško olje) in gorivo vedno odstranite skladno z zakoni.

Pred odstranitvijo poskrbite, da bo motor z notranjim zgorevanjem neuporaben. V ta namen odstranite vžigalni kabel, izpraznite posodo za gorivo in izpusite motorno olje.

Nevarnost poškodb s sekalnimi zvezdami!

Niti odsluženih vrtnih motornih kultivatorjev nikoli ne puščajte brez nadzora. Zagotovite, da so naprava in sekalne zvezde shranjene zunaj dosega otrok.

15. Zmanjšanje obrabe in preprečevanje okvar

Pomembni napotki za vzdrževanje in negovanje za skupino izdelkov

Bencinski motorni kultivatorji (STIHL MH)

Za telesne poškodbe in materialno škodo, ki je nastala zaradi neupoštevanja navodil za uporabo, še posebej glede varnosti, upravljanja in vzdrževanja, ali zaradi uporabe nedovoljenih dodatnih ali rezervnih delov, družba STIHL ne prevzema nobene odgovornosti.

Obvezno upoštevajte naslednja pomembna navodila za preprečevanje škode in čezmerne obrabe svoje naprave STIHL:

1. Obrabni deli

Nekateri deli naprav STIHL so tudi pri uporabi, ki je skladna s predpisi, podvrženi normalni obrabi ter jih je zato glede na način in čas uporabe treba pravočasno zamenjati.

To so na primer:

- klinasti jermen,
- sekalna zvezda,
- zavorna zagozda.

2. Upoštevanje določil v teh navodilih za uporabo

Uporaba, vzdrževanje in shranjevanje naprave STIHL mora potekati tako skrbno, kot je opisano v teh navodilih za uporabo. Za vso škodo, ki nastane zaradi neupoštevanja varnostnih navodil ter navodil za uporabo in vzdrževanje, je odgovoren uporabnik.

To še zlasti velja za:

- uporabo izdelka v nasprotju s predpisi.
- uporabo pogonskih sredstev, ki jih ni odobrilo podjetje STIHL (maziva, bencin in motorno olje, glejte navodila za uporabo motorja z notranjim zgorevanjem).
- spremembe na izdelku, ki jih podjetje STIHL ni odobrilo;
- uporabo dodatnih delov, nadgradne opreme ali rezalnega orodja, ki jih podjetje STIHL ni odobrilo.
- uporabo izdelka na športnih ali tekmovalnih prireditvah.
- posledično škodo, nastalo zaradi nadaljnje uporabe izdelka s poškodovanimi deli.

3. Vzdrževalna dela

Redno je treba izvajati vsa v razdelku »Vzdrževanje« navedena dela.

Če uporabnik teh vzdrževalnih del ne more izvajati sam, naj jih izvede pooblaščen prodajalec.

Družba STIHL priporoča, naj vzdrževalna dela in popravila izvajajo samo pooblaščen prodajalci izdelkov STIHL.

Pooblaščen prodajalci izdelkov STIHL se redno šolajo in dobivajo tehnične informacije.

Če dela niso pravilno izvedena, lahko pride do okvar, za katere je odgovoren uporabnik.

V to skupino spadajo med drugim:

- korozijska in druga posledična škoda, nastala zaradi nepravilnega skladiščenja.
- škoda na napravi zaradi uporabe nadomestnih delov slabše kakovosti.

- škoda, ki je nastala zaradi nepravočasnega ali nezadostnega vzdrževanja oziroma zaradi vzdrževalnih del in popravil, ki niso bila opravljena v delavnicah specializiranih trgovcev.

16. Običajni nadomestni deli

Razcepka (sekalne zvezde):
9396 021 3785

MH 445, MH 445 R

Orodje za okopavanje, celotno, znotraj levo:

6241 710 0200

Orodje za okopavanje, celotno, znotraj desno:

6241 710 0205

Orodje za okopavanje, celotno, zunaj levo:

6241 710 0210

Orodje za okopavanje, celotno, zunaj desno:

6241 710 0215

MH 560, MH 585, MH 685

Orodje za okopavanje, celotno, znotraj levo:

6241 710 0220

Orodje za okopavanje, celotno, znotraj desno:

6241 710 0225

MH 585, MH 685

Orodje za okopavanje, celotno, zunaj levo:

6242 710 0210

Orodje za okopavanje, celotno, zunaj desno:

6242 710 0215

17. EU-izjava o skladnosti

17.1 Motorni kultivator STIHL MH 445.0, MH 445.0 R, MH 560.0, MH 585.0, MH 685.0

STIHL Tirol GmbH
Hans Peter Stihl-Straße 5
6336 Langkampfen
Avstrija

na lastno odgovornost izjavlja, da naprava

- vrsta: motorni kultivator
- znamka: STIHL
- tip: MH 445.0, MH 445.0 R, MH 560.0,
MH 585.0, MH 685.0
- identifikacija serije: 6241

ustreza zadevnim določbam Direktiv 2000/14/EC, 2006/42/ES, 2014/30/EU in 2011/65/EU ter da je bila razvita in izdelana skladno z različicami naslednjih standardov, veljavnimi na datum proizvodnje: EN 709 in EN 14982 (če se uporablja).

Ime in naslov udeleženega imenovanega urada:

TÜV Rheinland LGA Products GmbH
Tillystraße 2
D-90431 Nürnberg

Pri ugotavljanju izmerjene in zagotovljene ravni zvočne moči smo ravnali skladno z Direktivo 2000/14/EC, priloga VIII.

MH 445.0, MH 445.0 R

- Izmerjena raven zvočne moči: 92 dB(A)
- Zagotovljena raven zvočne moči: 93 dB(A)

MH 560.0, MH 585.0

- Izmerjena raven zvočne moči: 91,3 dB(A)
- Zagotovljena raven zvočne moči: 93 dB(A)

MH 685.0

- Izmerjena raven zvočne moči: 92,4 dB(A)
- Zagotovljena raven zvočne moči: 93 dB(A)

Tehnično dokumentacijo hrani oddelek za izdajo dovoljenj podjetja STIHL Tirol GmbH.

Letnica izdelave in številka stroja sta navedeni na motornem kultivatorju.

Langkampfen, 02. 11. 2020

STIHL Tirol GmbH

Za



Matthias Fleischer, vodja raziskav in razvoja

Za



Sven Zimmermann, vodja kakovosti

18. Tehnični podatki

MH 445.0 / MH 445.0 R / MH 560.0 / MH 585.0 / MH 685.0

Serijska oznaka	6241
Motor z notranjim zgorevanjem, vrsta	4-taktni motor z notranjim zgorevanjem
Zagonska naprava	Zagon z vrvjo
Skladno z direktivo 2000/14/EC:	
Zagotovljena raven zvočne moči L_{WAd}	93 dB(A)

MH 445.0 / MH 445.0 R

Tip motorja	B&S Series 550 EX OHV RS
Delovna prostornina	140 ccm
Nazivna moč pri nazivnem številu vrtljajev	2,2 - 3100 kW - vrt./min
Rezervoar za gorivo	0,8 l
Orodje	4 sekalni elementi, 2 zaščitni plošči za rastline
Premer orodja za okopavanje	30 cm
Obratovalna hitrost orodja za okopavanje pri preizkusnem številu vrtljajev	124 vrt./min
Preizkusno število vrtljajev	3100 vrt./min
Skladno z direktivo 2006/42/EC:	
Raven zvočnega tlaka na delovnem mestu L_{pA}	80 dB(A)
Negotovost K_{pA}	2 dB(A)

MH 445.0 / MH 445.0 R

Navedena karakteristika vibriranja po standardu EN 12096:

Izmerjena vrednost	
a_{hw}	5,50 m/s ²
Negotovost K_{hw}	2,20 m/s ²
Meritev po EN 20643	
Pogon MH 445.0	1 prestava za vožnjo naprej
Pogon MH 445.0 R	1 prestava za vožnjo naprej 1 vzvratna prestava
Teža	36 kg/37 kg

MH 560.0/ MH 585.0

Tip motorja	Kohler HD675
Delovna prostornina	149 ccm
Nazivna moč pri nazivnem številu vrtljajev	2,3 - 3000 kW - vrt./min
Rezervoar za gorivo	1,4 l
Orodje MH 560.0	2 sekalna elementa, 2 zaščitni plošči za rastline
Orodje MH 585.0	4 sekalni elementi, 2 zaščitni plošči za rastline
Premer orodja za okopavanje	32 cm
Obratovalna hitrost orodja za okopavanje pri preizkusnem številu vrtljajev	120 vrt./min
Preizkusno število vrtljajev	3000 vrt./min
Skladno z direktivo 2006/42/EC:	

MH 560.0/ MH 585.0

Raven zvočnega tlaka na delovnem mestu L_{pA}	79 dB(A)
Negotovost K_{pA}	2 dB(A)
Navedena karakteristika vibriranja po standardu EN 12096:	
Izmerjena vrednost	
a_{hw}	5,00 m/s ²
Negotovost K_{hw}	2,50 m/s ²
Meritev po EN 20643	
Pogon	1 prestava za vožnjo naprej 1 vzvratna prestava
Teža	41 kg/44 kg

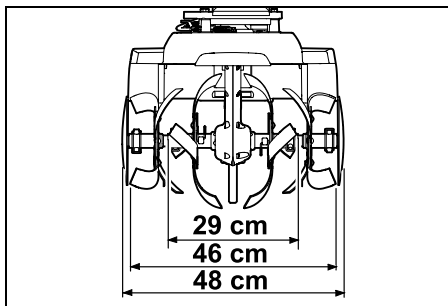
MH 685.0

Tip motorja	Kohler HD775
Delovna prostornina	173 ccm
Nazivna moč pri nazivnem številu vrtljajev	2,9 - 3200 kW - vrt./min
Rezervoar za gorivo	1,4 l
Orodje	4 sekalni elementi, 2 zaščitni plošči za rastline
Premer orodja za okopavanje	32 cm
Obratovalna hitrost orodja za okopavanje pri preizkusnem številu vrtljajev	128 vrt./min
Preizkusno število vrtljajev	3200 vrt./min
Skladno z direktivo 2006/42/EC:	
Raven zvočnega tlaka na delovnem mestu L_{pA}	80 dB(A)

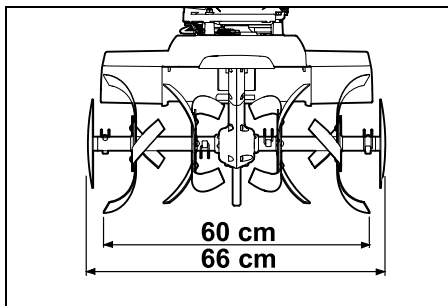
MH 685.0

Negotovost K_{pA}	2 dB(A)
Navedena karakteristika vibriranja po standardu EN 12096:	
Izmerjena vrednost	
a_{hw}	6,00 m/s ²
Negotovost K_{hw}	2,40 m/s ²
Meritev po EN 20643	
Pogon	1 prestava za vožnjo naprej 1 vzvratna prestava
Teža	46 kg

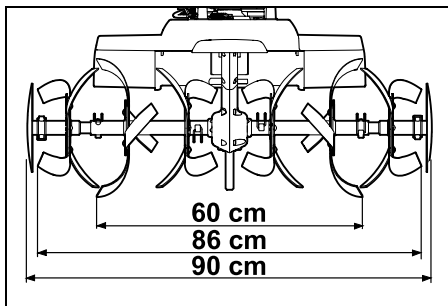
MH 445.0, MH 445.0 R:



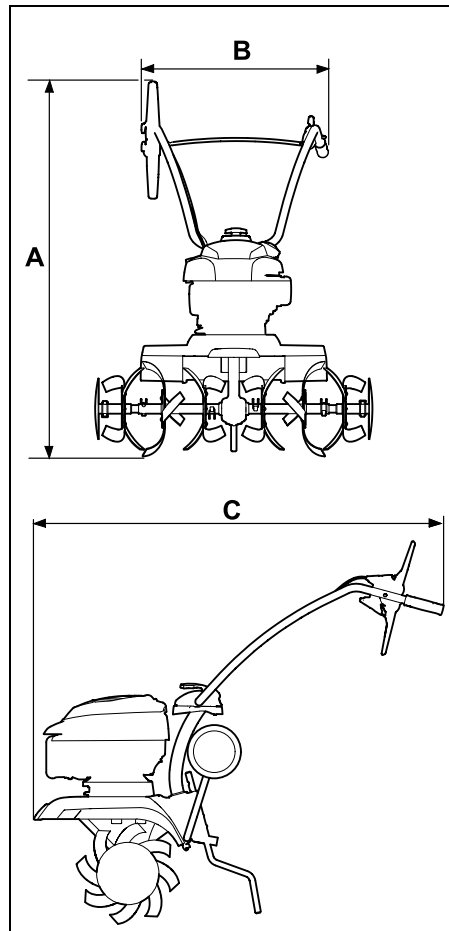
MH 560.0:



MH 585.0, MH 685.0:



MH 445.0, MH 445.0 R, MH 560.0, MH 585.0, MH 685.0:



MH 445.0, MH 445.0 R:

A = 118 cm

B = 57 cm

C = 122 cm

MH 560.0, MH 585.0, MH 685.0:

A = 119 cm

B = 57 cm

C = 122 cm

18.1 REACH

REACH je uredba ES za registracijo, ocenjevanje in odobritev kemikalij.

Za informacije o izpolnitvi uredbe ES REACH št. 1907/2006 glejte spletno mesto www.stihl.com/reach.

19. Iskanje napak

✘ po potrebi obiščite pooblaščenega prodajalca; podjetje STIHL priporoča pooblaščenega prodajalca izdelkov STIHL.

📖 Glejte navodila za uporabo motorja z notranjim zgorevanjem.

Motnja:

Motor z notranjim zgorevanjem se ne zažene.

Možni vzroki:

- Ročica za nastavljanje plina je v položaju za zaustavitev.
- V rezervoarju ni goriva; dovod goriva je zamašen.
- V rezervoarju je slabo, umazano ali staro gorivo.
- Vtič za svečko se je snel s svečke; vžigalni kabel na vtiču je slabo pritrjen.
- Svečka je sajasta ali poškodovana; napačen razmik elektrod.
- Zračni filter je umazan.
- Motor z notranjim zgorevanjem je zaradi več poskusov zagona »zalilo«.

Rešitev:

- Ročico za plin nastavite v položaj za zagon. (⇒ 8.1)
- Dolijte gorivo (⇒ 7.15).
Očistite vode za gorivo (✘).

- Uporabljajte sveže gorivo priznanih blagovnih znamk, neosvinčen bencin (⇒ 7.15).

Očistite uplinjač (✘).

- Natakните vtič za svečko (📖).
Preverite povezavo med kablom in vtičakem (✘).
- Očistite/zamenjajte svečke (📖), (✘).
Nastavite razdalje elektrod (✘).
- Očistite/zamenjajte zračni filter (✘).
- Odvijte in osušite vžigalno svečko.
Potisnite ročico za nastavljanje plina v položaj za zaustavitev in z odvito vžigalno svečko večkrat potegnite zagnosko vrstico (📖).

Motnja:

Oteženi zagon ali zmanjšana zmogljivost motorja z notranjim zgorevanjem.

Možni vzroki:

- V posodi za gorivo in uplinjaču je voda, uplinjač je zamašen.
- Posoda za gorivo je umazana.
- Zračni filter je umazan.
- Vžigalna svečka je sajasta.

Rešitev:

- Izpraznite posodo za gorivo, očistite dovod goriva in uplinjač (✘).
- Očistite posodo za gorivo (✘).
- Očistite/zamenjajte zračni filter (📖), (✘).
- Očistite/zamenjajte svečke (📖), (✘).

Motnja:

Motor z notranjim zgorevanjem se zelo segreje.

Možni vzroki:

- Hladilna rebra so umazana.
- Prenizka raven olja v motorju z notranjim zgorevanjem.

- Površina motorja z notranjim zgorevanjem je prekrita z zemljino.

Rešitev:

- Očistite hladilna rebra (⇒ 12.2).
- Dolijte motorno olje (⇒ 7.15).
- Z motorja z notranjim zgorevanjem odstranite zemljo.

Motnja:

Motor z notranjim zgorevanjem nemirno teče.

Možni vzroki:

- Zračni filter je umazan.

Rešitev:

- Očistite/zamenjajte zračni filter (📖), (✘).

Motnja:

Močno dimljenje.

Možni vzroki:

- Preveč olja.
- Zračni filter je umazan.

Rešitev:

- Prilagodite količino olja (📖).
- Očistite/zamenjajte zračni filter (📖), (✘).

Motnja:

Močne vibracije med obratovanjem.

Možni vzroki:

- Vpetje motorja je razrahljano.

Rešitev:

- Privijte vijake za pritrditev motorja (✘).

Motnja:

Zmanjšana obratovalna moč.

Možni vzroki:

- Napačno nameščene sekalne zvezde.
- Obrabljene sekalne zvezde.

- Napačno nastavljena zavorna zagozda.

Rešitev:

- Pravilno namestite sekalne zvezde. (⇒ 7.7), (⇒ 7.8)
- Zamenjajte sekalne zvezde (✘).
- Spremenite položaj zavorne zagozde. (⇒ 11.5)

Motnja:

Ni delovne moči.

Možni vzroki:

- Zaponka na pogonski gredi ni nameščena.

Rešitev:

- Preverite pritrditev sekalnih zvezd na pogonski gredi. (⇒ 7.7), (⇒ 7.8)

Motnja:

Močan hrup pri delovanju.

Možni vzroki:

- Napačna količina olja v menjalniku.

Rešitev:

- Preverite količino olja v menjalniku (✘).

Motnja:

Pogonska gred se ne vrti pri uporabljeni ročici za pogon.

Možni vzroki:

- Pokvarjen kabel.
- Obrabljen pogonski jermen.

Rešitev:

- Preverite oz. zamenjajte kabel (✘).
- Zamenjajte jermen (✘).

Milá zákazníčka, milý zákazník,

teší nás, že ste sa rozhodli pre výrobok spoločnosti STIHL. Naše výrobky vyvíjame a vyrábame v špičkovej kvalite podľa požiadaviek našich zákazníkov. Tým vznikajú výrobky s vysokou spoľahlivosťou aj pri extrémnom namáhaní.

Spoločnosť STIHL je tiež zárukou kvalitného servisu. Naše špecializované predajne zabezpečujú kompetentné poradenstvo a zaškolenie, ako aj rozsiahlu technickú podporu.

Ďakujeme vám za vašu dôveru a želáme vám veľa radosti s výrobkom spoločnosti STIHL.

Dr. Nikolas Stihl

DÔLEŽITÉ! PRED POUŽITÍM PREČÍTAJTE A USCHOVAJTE.

1. Obsah

O tomto návode na obsluhu	172
Všeobecne	172
Vysvetlivky na čítanie návodu na obsluhu	172
Popis stroja	173
Pre vašu bezpečnosť	173
Všeobecne	173
Dopĺňanie paliva – zaobchádzanie s benzínom	174
Odev a výbava	175
Preprava stroja	175
Pred začiatkom práce	175
Počas práce	176
Údržba a opravy	178
Uskladnenie pri dlhších prevádzkových prestávkach	179
Likvidácia	179
Popis symbolov	180
Rozsah dodávky	180
Príprava stroja na prevádzku	181
Pokyny na montáž	181
Montáž podvozka	181
Montáž radličky kypriča	181
Montáž vodiaceho držadla	182
Vyklopenie vodiaceho držadla	182
Montáž ochranných líšt	182
Montáž drviacich hviezdíc MH 445, MH 445 R	182
Montáž drviacich hviezdíc MH 445, MH 585, MH 685	183
Montáž ochranného kotúča rastlín	184
Montáž páky pohonu kolies	184
Zavedenie lanka pohonu	184
Zavesenie lanka pohonu	184
Zavedenie a montáž ovládacieho lanka akcelarátoru	184
Upevnenie laniek na vodiace držadlo	185
Palivo a motorový olej	185
Ovládacie prvky	185
Páka regulácie akcelarátoru	185
Páka pohonu kolies	185
Bezpečnostné zariadenia	186
Blokovanie páky pohonu kolies	186
Ochranné zariadenia	186
Pokyny pre prácu	186
Pracovný priestor obsluhy	186
Pracovná pozícia stroja	186
Kombinácie drviacich hviezdíc	186
Ideálne držanie tela pri práci	187
Uvedenie stroja do prevádzky	187
Prípravné opatrenia	187
Nastavenie výšky horného dielu vodiaceho držadla	187
Postranné nastavenie vodiaceho držadla	187
Vyklopenie a sklopenie prepravného podvozka	187
Nastavenie radličky kypriča	188
Štartovanie spaľovacieho motora	188
Vypnutie spaľovacieho motora	188
Vypnutie a zapnutie spojky pohonu kolies (dopredu)	188
Vypnutie a zapnutie spojky pohonu kolies (dozadu) (MH 445 R, MH 560, MH 585, MH 685)	188
Kyprenie	189
Údržba	189
Demontáž drviacich hviezdíc	189
Čistenie stroja	189
Spaľovací motor	190
Servisné intervaly	190

Uskladnenie a odstavenie stroja (zimná prestávka)	190
Preprava stroja	191
Preprava motorového kultivátora	191
Ochrana životného prostredia	192
Likvidácia	192
Opatrenia na minimalizovanie opotrebovania a na zabránenie vzniku škôd	192
Bežné náhradné diely	193
Prehlásenie o zhode výrobcom - EÚ	193
Motorový kultivátor STIHL MH 445.0, MH 445.0 R, MH 560.0, MH 585.0, MH 685.0	193
Technické údaje	194
REACH	196
Hľadanie porúch	196
Servisný plán	197
Potvrdenie o prevzatí	197
Potvrdenie o vykonaní servisných prác	197

2. O tomto návode na obsluhu

2.1 Všeobecne

Tento návod na obsluhu je **originálny návod na obsluhu** od výrobcu v zmysle smernice EÚ 2006/42/EC.

Firma STIHL neustále pracuje na ďalšom vývoji a rozširovaní ponuky svojich výrobkov, preto si vyhradzuje právo na zmeny obsahu dodávok, ktoré sa môžu týkať formy, technického vybavenia či príslušenstva.

Z tohto dôvodu nemožno na základe údajov a obrázkov uvedených v tomto katalógu vzniesť žiadne právne nároky.

V tomto návode na obsluhu sú príp. popísané modely, ktoré nie sú vo vašej krajine dostupné.

Tento návod na obsluhu je chránený autorskými právami. Všetky práva zostávajú vyhradené, a to najmä právo na rozmnožovanie, preklady a úpravy prostredníctvom elektronických systémov.

2.2 Vysvetlivky na čítanie návodu na obsluhu

Obrázky a texty popisujú určité manipulačné kroky.

V návode na obsluhu sú vysvetlené tiež všetky obrázkové symboly umiestnené na stroji.

Smer pohľadu:

Definícia smeru pohľadu v tomto návode na obsluhu pri označení smeru „**vľavo**“ a „**vpravo**“:
Obsluha stroja stojí za strojom a pozerá sa dopredu v smere jazdy.

Odkaz na kapitolu:

Šípka ukazuje na príslušné kapitoly a podkapitoly, v ktorých môžete nájsť ďalšie vysvetlenie. V nasledujúcom príklade je uvedený odkaz na kapitolu: (⇒ 4.)

Označenie jednotlivých textových sekvencií:

Popísané pokyny môžu byť označené ako niektorý z nasledujúcich príkladov.

Manipulačné kroky, ktoré vyžadujú určitý úkon obsluhy:

- Skrutku (1) uvoľnite skrutkovačom, stlačte páku (2) ...

Všeobecný súpis úkonov:

- použitie stroja na športové alebo súťažné akcie

Texty so zvláštnym významom:

Pre zdôraznenie zvláštného významu sú tieto textové úseky v návode na obsluhu označené jedným z nasledujúcich symbolov.



Nebezpečenstvo!

Nebezpečenstvo nehody a ťažkého úrazu osôb. Na tomto mieste sa musia dodržiavať určité predpísané pokyny alebo sa niečo zakazuje.



Varovanie!

Nebezpečenstvo úrazu osôb. Dodržiavaním predpísaných pokynov môžete zabrániť možným úrazom.



Pozor!

Dodržiavaním predpísaných pokynov môžete zabrániť nebezpečenstvu vzniku ľahkých úrazov resp. materiálnych škôd.



Upozornenie

Informácia, dôležitá pre lepšie využitie funkcií stroja a pre zabránenie možným chybám obsluhy.

Texty vzťahujúce sa na obrázok:

Obrázky, ktoré vysvetľujú obsluhu stroja, sú uvedené v návode na obsluhu úplne na začiatku.

Symbol fotoaparátu slúži na prepojenie určitého obrázka v obrázkovej časti s príslušným textom v návode na obsluhu.



3. Popis stroja



- 1 Páka pohonu kolies (dopredu)
- 2 Horný diel vodiaceho držadla
- 3 Upínacia páka
- 4 Štartovacie lanko
- 5 Spaľovací motor
- 6 Koncovka zapaľovacej sviečky
- 7 Ochranná lišta
- 8 Ochranný kotúč rastlín
- 9 Drviace hviezdice
- 10 Držadlo na nosenie
- 11 Ochranná lišta
- 12 Transportný podvozok
- 13 Radlička kypriča
- 14 Odist'ovacia páka (prepravny podvozok)
- 15 Odist'ovací čap (radlička kypriča)
- 16 Držadlo
- 17 Páka regulácie akcelerátora
- 18 MH 445 R, MH 560, MH 585, MH 685: Páka pohonu kolies (dozadu)
- 19 Výkonový štítok so strojovým číslom

4. Pre vašu bezpečnosť

4.1 Všeobecne



Pri práci so strojom je bezpodmienečne nutné dodržiavať nasledujúce bezpečnostné predpisy.



Pred prvým uvedením stroja do prevádzky je potrebné si pozorne prečítať celý návod na obsluhu. Návod na obsluhu si starostlivo uložte, aby ste ho mohli použiť neskôr.

Dodržiavajte pokyny na obsluhu a údržbu, ktoré sú uvedené v samostatnom návode na obsluhu spaľovacieho motora.

Z hľadiska vašej bezpečnosti je nevyhnutné dodržiavať tieto bezpečnostné opatrenia, ktorých zoznam však nie je úplný. Používajte stroj vždy rozumne a zodpovedne a pamätajte na to, že obsluha stroja zodpovedá za úrazy spôsobené ďalším osobám alebo za poškodenie ich majetku.

Oboznámte sa s ovládacími prvkami, ovládateľnými dielmi, ako aj s používaním stroja. Používateľ stroja musí najmä vedieť, ako v núdzovom prípade okamžite zastaví pracovné náradie a spaľovací motor stroja.

Stroj smú obsluhovať len osoby oboznámené s návodom na obsluhu stroja a s jeho ovládaním. Pred prvým uvedením do prevádzky musí používateľ absolvovať odborné a praktické zaškolenie. Predávajúci, prípadne iná odborne vyškolená osoba, musí používateľovi vysvetliť bezpečné používanie stroja.

Pri tomto školení treba používateľa upozorniť najmä na to, že pri práci so strojom je potrebná maximálna starostlivosť a koncentrácia.

Aj keď tento stroj obsluhujete podľa predpisov, stále zostávajú zostatkové riziká.



Ohrozenie života udusením!

Hrozí riziko udusenía detí hrajúcich sa s obalovým materiálom. Obalový materiál vždy uchovávajte mimo dosahu detí.

Stroj vrátane všetkých prídavných zariadení sa môže zveriť alebo zapožičať len osobám, ktoré boli s týmto modelom a jeho používaním dôkladne oboznámené. Návod na obsluhu je súčasťou stroja a vždy sa musí poskytovať so strojom.

Používajte stroj len oddychnutý a v dobrom telesnom ako i duševnom stave. Ak máte zdravotné problémy, mali by ste sa informovať u svojho lekára, či vám odporúča prácu so strojom. So strojom sa nesmie pracovať po požití alkoholu, drog alebo liekov, ktoré ovplyvňujú reakčnú schopnosť.

Zabezpečte, aby bol používateľ telesne, zmyslovo aj duševne schopný obsluhovať prístroj a pracovať s ním. Ak je používateľ schopný vykonávať tieto činnosti s telesným, zmyslovým alebo duševným obmedzením, môže používateľ pracovať so strojom iba pod dozorom alebo podľa pokynov zodpovednej osoby.

Dbajte na to, aby bol používateľ plnoletý alebo je odborne vzdelávaný pod dohľadom v súlade s národnými predpismi.

Pozor – nebezpečenstvo úrazu!

Motorový kultivátor je určený len na obrábanie pôdy, ktorá slúži na sejbu, obrábanie alebo kultiváciu rastlín. Možno ho používať výlučne na účely uvedené v tomto návode na obsluhu. Iné použitie nie je povolené a môže byť nebezpečné. V dôsledku zneužitia stroja môže dôjsť k úrazom alebo k poškodeniu stroja.

S cieľom zabrániť fyzickému úrazu používateľa sa motorový kultivátor nesmie používať na nasledujúce práce (zoznam príkladov nie je úplný):

- úprava rastlín vysadených na strechách a v balkónových truhlíkoch,
- drvenie a rozdrobenie odrezkov konárov kríkov a stromov.

Stroj nie je dovolené použiť na prepravu predmetov, zvierat alebo osôb, zvlášť detí.

Z bezpečnostných dôvodov je zakázaná akákoľvek úprava stroja okrem odbornej montáže príslušenstva schváleného spoločnosťou STIHL a má za následok stratu nárokov vyplývajúcich zo záruky. Informácie o schválenom príslušenstve vám poskytne špecializovaný predajca výrobkov STIHL.

Zakázané sú najmä akékoľvek zmeny na stroji s cieľom zvýšiť výkon alebo otáčky spaľovacieho motora, resp. elektromotora.

Pri používaní na verejných priestranstvách, v parkoch a športoviskách, na uliciach a v poľnohospodárskom a lesnom hospodárstve sa musí pracovať s mimoriadnou opatrnosťou.



Pozor! Zdraviu škodlivé

vibrácie! Nadmerné zaťaženie vibráciami môže mať za následok ohrozenie krvného

obehu alebo nervovej sústavy, zvlášť u osôb s problematickým krvným obehom. Ak sa objavia príznaky, ktoré by mohli byť vyvolané následkom vibrácií, obráťte sa na lekára.

Tieto symptómy, ktoré sa vyskytujú prevažne v prstoch, rukách alebo v zápästí, sú napríklad (zoznam príkladov nie je úplný):

- necitlivosť,

- bolesti,
- svalová slabosť,
- zmeny zafarbenia pokožky,
- nepríjemné mravčenie.

Vodiace držadlo počas prevádzky držte pevne, ale nie kľúčovito, obidvomi rukami na určených miestach.

Pracovné časy plánujte tak, aby ste sa vyhli vyšším zaťaženiam z dôvodu dlhšieho intervalu.

Pri používaní motorového kultivátora si naplánujte pracovné prestávky a vyhýbajte sa dlhotrvajúcej práci so strojom. Dlhodobé pôsobenie vibrácií môže mať negatívny vplyv na zdravie.

4.2 Dopĺňanie paliva – zaobchádzanie s benzínom



Výstraha!

Benzín je jedovatý a vysoko zápalný.

Benzín uskladňujte len v nádobách (kanistroch), ktoré sú na to určené a schválené. Uzávery palivových nádrží je potrebné vždy riadne naskrutkovať a dotiahnuť. Poškodené uzávery je z bezpečnostných dôvodov potrebné vymeniť.

Na likvidáciu alebo uskladňovanie prevádzkových hmôt, ako napr. paliva, nikdy nepoužívajte fľaše na nápoje a pod. Mohlo by sa stať, že sa z toho niekto omylom napije, zvlášť deti.



Benzín skladujte mimo priestorov, kde sa vyskytujú zdroje iskrenia, otvorený oheň, vyhrievacie telesá a iné zápalné zdroje. Fajčenie zakázané!

Palivo dopĺňajte len vonku a pri tom nefajčite.

Pred dopĺňaním paliva vypnite spaľovací motor a nechajte ho vychladnúť.

Benzín doplňte pred naštartovaním spaľovacieho motora. Keď beží spaľovací motor alebo keď je stroj horúci, neotvárajte uzáver palivovej nádrže ani nedopĺňajte benzín.

Neprepĺňajte palivovú nádrž!

Palivovú nádrž neplňte až nad dolný okraj plniaceho hrdla, inak nebude mať palivo pri zvýšení teploty dostatok miesta pre zväčšenie objemu.

Dodržiavajte pokyny uvedené v návode na obsluhu spaľovacieho motora.



Ak došlo k pretečeniu benzínu, spaľovací motor možno naštartovať až po vyčistení plôch poliately benzínom. Kým sa zvyšky benzínu neodparia (dosucha neutrú), vyhnite sa akejkoľvek manipulácii so systémom zapaľovania.

Rozliate palivo je potrebné vždy utrieť dosucha.

Benzínom poliately odev je potrebné vymeniť.

Stroj s benzínom v nádrži nikdy neskladujte v budove. Benzínové výpary môžu prísť do styku s otvoreným ohňom alebo iskrami a môžu sa vznietiť.

Ak je potrebné vyprázdniť nádrž, musí sa to vykonať vonku.

4.3 Odev a výbava



Pri práci používajte vždy pevnú obuv s drsnou podrážkou. Nikdy nepracujte bosí alebo napr. v sandáloch.



Počas údržbárskych a čistiacich prác, ako aj pri doprave stroja je navyše potrebné vždy používať pevné rukavice a zviazať a zaistiť dlhé vlasy (pomocou šatky, čiapky a pod.).



Pri práci so strojom používajte vhodné a priliehavé oblečenie, to znamená kombinézu, nie pracovný kabát. Pri práci so strojom nenoste šál, kravatu, šperky, stuhy alebo príviesky a iné odstavajúce časti odevu.

Vlasy, šaty alebo iné časti odevu môžu zachytiť a vytrhnúť rotujúce diely stroja. Môže to viesť k ťažkým poraneniam.

4.4 Preprava stroja

Na zabránenie nebezpečenstva poranenia na ostrých hranách a popálenia na horúcich častiach stroja používajte vždy pracovné rukavice.

Stroj nemožno prepravovať s bežiacim spaľovacím motorom. Pred prepravou vypnite spaľovací motor, počkajte, kým sa pracovné náradie úplne zastaví, a snímte koncovku zapaľovacej sviečky.

Stroj prepravujte len s vychladnutým spaľovacím motorom a prázdnu palivovou nádržou.

Dodržiujte pokyny uvedené v kapitole „Preprava stroja“. V kapitole je opísané, ako sa má prístroj nadvihnúť, resp. upevniť. (⇒ 13.)

Stroj smú prenášať len dve osoby, pričom musia dbať na predpísané miesta uchytenia.

Na nakladanie používajte vhodné nakladacie zariadenia (nakladacie rampy, zdvíhacie zariadenia).

Z bezpečnostných dôvodov sa pri preprave a prekladaní stroja, najmä pomocou nakladacej rampy, nesmie prekročiť uhol naklápania 15°.

Stroj a príslušenstvo prepravované so strojom na ložnej ploche vždy riadne zaistíte použitím dostatočne dimenzovaných viazacích prostriedkov (laná, upevňovacie popruhy a pod.). Stroj v žiadnom prípade neprepravujte bez zaistenia.

Spoločnosť STIHL odporúča prepravovať motorový kultivátor vo vhodnom prívесе, prípadne na vhodnej ložnej ploche, nie však vo vnútri vozidla (napr. v kufrí).

Pri preprave stroja dodržujte platné regionálne zákonné predpisy, predovšetkým predpisy o bezpečnosti a zabezpečení nákladu počas transportu a spôsobe prepravy predmetov na ložnej ploche.

4.5 Pred začiatkom práce

Je potrebné zabezpečiť, aby so strojom pracovali len osoby, ktoré sú oboznámené s návodom na použitie.

Pred uvedením stroja do prevádzky skontrolujte tesnosť palivového systému, predovšetkým jeho viditeľných častí (napríklad palivovú nádrž, uzáver palivovej nádrže, hadicové spojky). V prípade zistenej priepustnosti alebo poškodenia neštartujte spaľovací motor – **hrozí nebezpečenstvo požiaru!**

Stroj nechajte pred uvedením do prevádzky opraviť u špecializovaného predajcu.

V súvislosti s prevádzkovou dobou záhradnej techniky so spaľovacím motorom dodržiavajte platné miestne predpisy.

Pozemok, na ktorom sa má so strojom pracovať, dôkladne skontrolujte a odstráňte všetky veľké kamene, konáre, drôty, kosti či iné cudzie predmety, ktoré by stroj mohol vymrštiť.

Všetky objekty (drenážne potrubia na postrekovanie trávniku, kolíky, vodné ventily, základy, elektrické káble a pod.) zapustené v pôde sa musia najskôr riadne označiť a pri práci so strojom obchádzať. Nikdy nejazdite cez takéto predmety.

Pred použitím stroja je potrebné vymeniť všetky chybné, ako aj opotrebované a poškodené diely. Nečitateľné alebo poškodené výstražné a bezpečnostné symboly na stroji sa musia obnoviť. Náhradné nálepky, ako aj všetky ostatné náhradné diely vám poskytne špecializovaný predajca výrobkov STIHL.

Pred použitím stroja skontrolujte bezpečné umiestnenie koncovky zapaľovacej sviečky na zapaľovacej sviečke.

Stroj je možné používať iba v bezpečnom prevádzkovom stave. Pred každým uvedením stroja do prevádzky je potrebné skontrolovať:

– či je celý stroj zmontovaný podľa predpisov.

- či sú bezpečnostné zariadenia (napr. páka pohonu kolies, ochranné lišty, ochranné veká, ochranné kryty, vodiace držadlo, ochranná mriežka) v bezchybnom stave a správne fungujú. Stroj nikdy nepoužívajte, ak bezpečnostné zariadenia nie sú k dispozícii, ak sú poškodené alebo opotrebované.
- či sú k dispozícii upevňovacie skrutky, závlačky a pracovné náradie (drviace hviezdice), prípadne či nie sú poškodené alebo opotrebované (zárezy alebo praskliny). Opotrebované alebo poškodené diely treba vymeniť.
- či je pracovné náradie (drviace hviezdice) pevne a bezpečne namontované.
- či fungujú páky pohonu kolies a možno nimi ľahko manipulovať.
- či je uzáver palivovej nádrže správne zaskrutkovaný.
- či je nádrž a diely vedenia paliva, ako aj uzáver palivovej nádrže, v bezchybnom stave.
- či je upevňovacia skrutka oleja správne zaskrutkovaná.
- či je príslušenstvo kompletne a podľa predpisov namontované na stroji. Všetky montážne diely, ktoré sú súčasťou dodávky, sa musia namontovať.

V prípade potreby vykonajte všetky požadované práce, resp. vyhľadajte špecializovaného predajcu. Spoločnosť STIHL odporúča špecializovaného predajcu výrobkov STIHL.

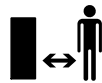
Ochranné lišty (pravá a ľavá) sú prispôbené aktuálnej pracovnej šírke. Vždy musia byť správne namontované. Ak sa v prípade modelov MH 445 a MH 445 R

pracovná šírka zväčší v dôsledku použitia dodatočných drviacich hviezdic (príslušenstvo od spoločnosti STIHL), musíte namontovať väčšie ochranné lišty (dodávané s príslušenstvom).

Pomocou transportných kolies tlačte alebo ťahajte stroj k ploche, ktorá sa bude obrábať.

Pred uvedením do prevádzky odstráňte všetky predmety umiestnené na stroji (náradie, handry a pod.).

4.6 Počas práce



Riziko úrazu osôb zdržujúcich sa v pracovnej oblasti. Nikdy nepracujte so strojom, ak sa v blízkosti nachádzajú zvieratá alebo osoby, predovšetkým deti.

Pozor! Počas práce dochádza k vyhadzovaniu, resp. bočnému vymršťovaniu predmetov, napríklad zeme, kameňov a pod.

Stroj smie obsluhovať len jedna osoba. Kým beží spaľovací motor, obsluha stroja sa musí zdržiavať v pracovnej oblasti. (⇒ 10.1)

Počas prevádzky sa stroj nesmie dvíhať, tlačiť ani ťahať uchytením za transportné držadlo, ochranný plech alebo za iné časti stroja (ani v spolupráci s ďalšou osobou) s výnimkou rúkoviť na vodiacom držadle.

Prepínacie a bezpečnostné zariadenia, ktoré sú nainštalované na stroji, sa nesmú odstrániť ani inak vyradiť z činnosti. Páku pohonu kolies nikdy nepripevňujte k hornému dielu vodiaceho držadla (napr. priviazaním).



STOP

Pozor – nebezpečenstvo úrazu!

Nohy ani ruky nikdy nevkładajte do priestoru rotujúcich nástrojov. Vždy dodržiavajte

bezpečný odstup daný vodiacim držadlom stroja. Bezpečný odstup zodpovedá dĺžke predpisovo namontovaného a vyklopeného vodiaceho držadla. Vodiace držadlo nemeňte a stroj nikdy neprevádzkujte so sklopeným vodiacim držadlom.

Na vodiace držadlo nikdy nevešajte žiadne predmety (napr. pracovný odev).

Pracujte len za denného svetla alebo pri dobrom umelom osvetlení.

Nepracujte počas dažďa, búrky a zvlášť vtedy, keď hrozí nebezpečenstvo zásahu bleskom.

Na mokrom podklade sa zvyšuje riziko úrazu v dôsledku zhoršených adhézných podmienok pre stabilný postoj obsluhy. Je potrebné pracovať zvlášť opatrne, aby sa zabránilo pošmyknutiu. Ak je to možné, nepoužívajte stroj na mokrom podklade.

Stroj s namontovanými drviacimi hviezdicami neuvádzajte do prevádzky na asfaltových, dláždených plochách a pod.

Ak pracujete v blízkosti svahov, zrázov, priekop alebo násypov, pri používaní stroja postupujte s mimoriadnou opatrnosťou. Dbajte predovšetkým na dostatočnú vzdialenosť od týchto nebezpečných miest.

Výfukové plyny:



Nebezpečenstvo ohrozenia života otrávením!

Pri nevoľnosti, bolestiach hlavy, poruche zraku (napr. pri zmenšení zorného poľa), poruche sluchu, závrate alebo znížení schopnosti koncentrácie prestaňte okamžite pracovať. Tieto príznaky môžu byť okrem iného spôsobené nadmernou koncentráciou výfukových plynov.



Keď sa spaľovací motor uvedie do prevádzky, stroj produkuje jedovaté výfukové plyny.

Výfukové plyny obsahujú jedovatý oxid uhoľnatý, bezfarebný plyn bez zápachu, ako aj iné škodlivé látky. Spaľovací motor nikdy neuvádzajte do prevádzky v uzavretých alebo slabo vetraných priestoroch.

Dbajte na smer prúdenia výfukových plynov vychádzajúcich z výfuku. Výfuk nikdy nesmerujte na osoby.

Naštartovanie:

Pri štartovaní stroja postupujte opatrne – Postupujte podľa pokynov v kapitole "Uvedenie stroja do prevádzky" (⇒ 11.). Štartovanie podľa týchto pokynov znižuje nebezpečenstvo úrazu.

Nebezpečenstvo úrazu!

Pri rýchlom odskočení štartovacieho lanka budú ruka a rameno pritiažené k spaľovaciemu motoru skôr, než stihnete štartovacie lanko pustiť. Týmto spätným rázom môže dôjsť k zlomeninám, pomliaždeninám a vytknutiam.

Dbajte na dostatočnú vzdialenosť nôh od pracovného náradia.

Pri štartovaní motora sa stroj nesmie nakláňať.

Pri štartovaní nesmiete aktivovať páky pohonu kolies.

Práca na svahu:

Svahy upravujte vždy v priečnom smere, nikdy nie pozdĺžne.

Používateľ nesmie stáť na svahu pod bežiacim strojom. Ak stratí kontrolu nad strojom, môže sa naňho prevrátiť.

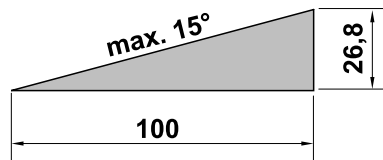
Zvlášť opatrne pracujte pri zmene smeru jazdy na svahu.

Dbajte vždy na dobré postavenie na svahu a vyvarujte sa práci so strojom na príliš strmých svahoch.

Pri práci na svahoch sa stroj môže prevrátiť. Z bezpečnostných dôvodov sa stroj nesmie používať na svahoch so stúpaním nad 15° (26,8 %).

Nebezpečenstvo úrazu!

Sklon svahu 15° zodpovedá vertikálnemu prevýšeniu o hodnotu 26,8 cm pri 100 cm horizontálnej vzdialenosti.



Ak chcete zaistiť dostatočné mazanie spaľovacieho motora, dodržiavajte pri používaní stroja na svahoch dodatočné pokyny uvedené v priloženom návode na obsluhu spaľovacieho motora.

Práca:



Nebezpečenstvo úrazu!

Ruky alebo nohy nikdy nedávajte nad, pod alebo na rotujúce časti.

Stroj musíte z bezpečnostných dôvodov vždy obsluhovať oboma rukami. Počas prevádzky musia byť obe ruky umiestnené na rukovätiach vodiaceho držadla. Nikdy nepracujte len jednou rukou.

Pracovnú hĺbku regulujte len tlakom na radličku kypriča.

Pri práci v náročnom teréne (napr. kamenistá a tvrdá pôda) musíte postupovať opatrne a znížiť rýchlosť otáčania pracovného náradia (regulovaním akcelerátora).

Stroj vedte len krokom – pri práci so strojom nikdy nebežte. Pri rýchlom vedení stroja sa môže používateľ ľahko potknúť alebo pošmyknúť, čím sa zvyšuje nebezpečenstvo úrazu.

Pozor – nebezpečenstvo úrazu!

Pri otáčaní či priťahovaní stroja k sebe alebo pri použití spätného prevodového stupňa buďte opatrní a dbajte najmä na dostatočnú vzdialenosť nôh od pracovného náradia (drviacich hviezdíc).

Pozor – nebezpečenstvo potknutia!

Pri pohybe stroja dozadu venujte zvýšenú pozornosť prekážkam za obsluhou stroja.

Ak stroj uviazne, vypnite spaľovací motor a snímte koncovku zapalovacej sviečky. Pomocou ďalšej osoby stroj nadvihnite a uvoľnite.

Vypnite spaľovací motor:

- keď sa musí stroj pri preprave naklopiť,
- keď sa stroj presúva alebo ťahá smerom k ploche, na ktorej sa má pracovať, a v smere od nej,
- keď sa vzdialite od stroja, resp. ak stroj zostane bez dozoru,

- pred doplnením paliva; palivo dopĺňajte len vtedy, keď je spaľovací motor vychladnutý – **nebezpečenstvo požiaru**,
- keď sa stroj presúva alebo ťahá smerom k ploche, na ktorej sa nemá pracovať.

Vypnite spaľovací motor a snímte koncovku zapalovacej sviečky:

- pred uvoľňovaním zablokovaného mechanizmu,
- pred nadvihnutím a prenášaním stroja,
- pred prepravovaním stroja,
- skôr, ako začnete s kontrolou alebo čistením stroja, alebo pred inými prácami na stroji (napr. prestavenie vodiaceho držadla, vyklopenie transportného podvozka),
- ak stroj narazí do cudzieho telesa alebo začne nadmerne vibrovať. V takýchto prípadoch skontrolujte stroj, predovšetkým pracovné náradie (drviace hviezdice, upevnenie drviacich hviezdíc), či nie je poškodený. Pred opätovným zapnutím a uvedením stroja do prevádzky treba vykonať potrebné opravy.



Nebezpečenstvo poranenia!

Silné vibrácie sú zvyčajne prejavom nejakej poruchy.

Motorový kultivátor sa nesmie uviesť do prevádzky najmä s poškodeným alebo deformovaným hnacím hriadeľom, resp. s poškodeným pracovným náradím.

V prípade nedostatku odborných vedomostí sa obráťte na odborníka, ktorý vykoná potrebné opravy (spoločnosť STIHL odporúča špecializovaného predajcu výrobkov STIHL).

4.7 Údržba a opravy

Pred začiatkom čistiacich-, prestavovacích-, opravárskych- a údržbárskych prác:

- stroj postavte na pevný rovný podklad,
- vypnite spaľovací motor a nechajte ho vychladnúť,
- stiahnite koncovku zapalovacej sviečky.



Pozor – nebezpečenstvo úrazu!

Koncovku zapalovacej sviečky udržiavajte ďalej od zapalovacej sviečky; náhodná zapalovacia iskra môže spôsobiť požiar alebo zásah elektrickým prúdom. Náhodný kontakt zapalovacej sviečky s koncovkou zapalovacej sviečky môže spôsobiť nechcené spustenie zapalovacieho motora.

Pri čistiacich alebo údržbárskych prácach stroj prevracajte len dozadu. Ak by sa stroj prevrátil nabok alebo dopredu, mohlo by

dôjsť k poškodeniam spaľovacieho motora a iných častí stroja, ktoré by vyžadovali finančne náročné opravy.

Pred údržbárskymi prácami v priestore prevodovky, spaľovacieho motora, výfukového potrubia a tlmiča výfuku nechajte stroj vychladnúť. Tieto časti môžu dosiahnuť teplotu až 80 °C a vyššiu.

Nebezpečenstvo úrazu popálením!

Priamy kontakt s motorovým olejom môže byť nebezpečný, okrem toho sa motorový olej nesmie rozliať.

Spoločnosť STIHL odporúča, aby sa plnenie, resp. výmena motorového oleja prenechala pracovníkom špecializovaného predajcu výrobkov značky STIHL.

Pravidelne kontrolujte celkové opotrebovanie a poškodenie stroja, predovšetkým pred uskladnením stroja na dlhšiu dobu (ako napr. zimná prestávka). Opotrebované alebo poškodené diely stroja z bezpečnostných dôvodov včas vymeňte. Tým zaistíte, aby bol stroj vždy v bezpečnom prevádzkyschopnom stave.

Čistenie:

Po každom pracovnom použití sa musí celý stroj dôkladne vyčistiť. (⇒ 12.2)

Usadené zvyšky uvoľníte kúskom dreva. Spodnú časť stroja očistíte kefou a vodou. Nepoužívajte žiadne agresívne čistiace prostriedky. Tieto čistiace prostriedky by mohli poškodiť plastové a kovové diely, a tým negatívne ovplyvniť bezpečnú prevádzku vášho stroja od spoločnosti STIHL.

Na čistenie spodnej časti stroja (všetky diely pod ochranným plechom) možno použiť vysokotlakové čistiace zariadenie, resp. parný ejektor. Treba dodržať odstup min. 1 m a prúdom vody nikdy nestriekať

na ložiská ani tesnenia, predovšetkým nie na tesnenia medzi skriňou prevodovky a ochranným plechom.

Aby sa zabránilo nebezpečenstvu vzniku požiaru, udržiajte priestor v oblasti chladiacich otvorov, rebier a oblasti výfuku bez zvyškov napr. trávy, slamy, machu, lístia alebo vytečeného maziva.

Údržbárske práce:

Je možné vykonávať len tie údržbárske práce, ktoré sú popísané v návode na použitie, všetky ďalšie práce je potrebné nechať vykonať špecializovaným predajcom.

Ak nemáte potrebné odborné vedomosti a pomôcky, obráťte sa **vždy** na odborného predajcu.

Spoločnosť STIHL odporúča nechať vykonávať všetky údržbárske práce a opravy len u špecializovaného predajcu STIHL.

Odborní predajcovia STIHL budú pravidelne ponúkať školenia a poskytovať technické informácie.

Používajte len náradie, príslušenstvo alebo prídatné zariadenia, ktoré sú pre tento stroj schválené firmou STIHL alebo sú technicky rovnocenné, ináč môže vzniknúť nebezpečenstvo poranenia osôb alebo poškodenia stroja. V prípade otázok sa obráťte na špecializovaného predajcu.

Vlastnosti originálneho náradia, príslušenstva a náhradných dielov STIHL sú optimálne zladené so strojom a so všetkými požiadavkami užívateľa. Originálne náhradné diely STIHL môžete poznať podľa objednávacieho čísla náhradných dielov STIHL, podľa nápisu STIHL a prípadne podľa značky, označujúcej náhradné diely STIHL. Na malých dieloch môže byť toto označenie aj samostatne.

Z bezpečnostných dôvodov pravidelne kontrolujte tesnosť všetkých dielov palivového systému (palivového potrubia, palivového ventilu, palivovej nádrže, uzáveru nádrže, prípojok atď.) a v prípade potreby vymeňte (spoločnosť STIHL odporúča špecializovaného predajcu výrobkov značky STIHL).

Samolepiace informačné a výstražné symboly na stroji udržiajte vždy čisté a čitateľné. Poškodené alebo stratené nálepky vymeňte za nové originálne. Tieto nálepky Vám vymení Váš špecializovaný predajca STIHL. Pri výmene určitého dielu za nový dbajte na to, aby bol tento nový diel opatrený tou istou nálepkou.

Pravidelne kontrolujte pevné dotiahnutie všetkých matic, čapov a skrutiek. Zaisťte tak bezpečnú prevádzkyschopnosť stroja.

Nikdy nemeňte základné nastavenie spaľovacieho motora a nepretáčajte ho.

Pokiaľ musel byť na účely údržby stroja demontovaný niektorý diel alebo niektoré ochranné zariadenie, musia sa tieto diely neodkladne a podľa predpisu namontovať späť.

Pri výmene pracovného náradia (drviacich hviezdíc) dbajte na správny typ a kombináciu drviacich hviezd. Povolené sú len varianty schválené spoločnosťou STIHL.

4.8 Uskladnenie pri dlhších prevádzkových prestávkach

Pred tým, než stroj odložíte do uzavretej miestnosti, nechajte vychladnúť spaľovací motor.

Stroj s vyprázdnenou palivovou nádržou a zásobné palivo uskladňujte v uzavierateľnom a dobre odvetranom priestore.

Ubezpečte sa, že stroj je chránený pred nedovoleným použitím (napr. deťmi).

Stroj s benzínom v nádrži nikdy neskladujte v budove. Benzínové výpary môžu prísť do styku s otvoreným ohňom alebo iskrami a môžu sa vznietiť.

Ak treba vyprázdniť nádrž, napríklad na účely uskladnenia stroja pred zimnou prestávkou, palivová nádrž sa musí vyprázdniť vonku (napr. chodom spaľovacieho motora až do úplného spotrebovania paliva v nádrži).

Stroj pred uskladnením (napr. na zimnú prestávku) dôkladne očistite.

Stroj uskladniť len so stiahnutou koncovkou zapaľovacej sviečky.

Stroj skladujte v riadnom prevádzkovom stave.

Pred tým, než stroj prikryjete, nechajte ho úplne vychladnúť.

4.9 Likvidácia

Odpady, ako starý olej alebo palivo, mazivá, filtre, batérie a podobné spotrebné diely môžu byť škodlivé pre ľudí, zvieratá a životné prostredie a musia byť preto odborne zlikvidované.

Potrebné informácie o odbornej likvidácii odpadových materiálov môžete získať v miestnom recyklačnom stredisku alebo u špecializovaného predajcu. Spoločnosť STIHL odporúča špecializovaného predajcu výrobkov STIHL.

Zabezpečte, aby bol nepotrebný stroj odovzdaný do špecializovanej zberne na účely správnej likvidácie odpadu.

Dodržiavajte pokyny uvedené v kapitole „Ochrana životného prostredia“. (⇒ 14.)

5. Popis symbolov



Pozor! – Nebezpečenstvo úrazu!

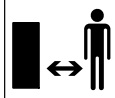
Pred uvedením stroja do prevádzky si dôkladne prečítajte návod na obsluhu a bezpečnostné pokyny a postupujte v súlade s nimi.



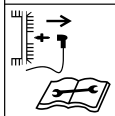
Rotujúce pracovné nástroje: Dbajte na bezpečnú vzdialenosť rúk a nôh od rotujúcich nástrojov.



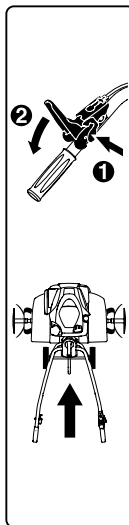
Prevádzka len s ochrannými krytmi.



Dodržiavajte bezpečný odstup.

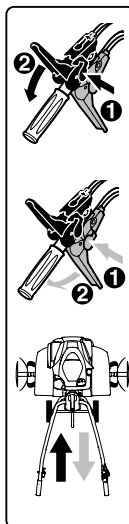


Pred údržbárskymi a čistiacimi prácami snímte koncovku zapaľovacej sviečky.



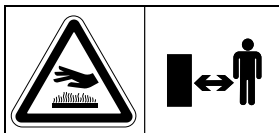
MH 445:

Ak chcete aktivovať páku pohonu kolies, musíte z bezpečnostných dôvodov najskôr stlačiť odist'ovacu páku. Predídete tak neúmyselnému aktivovaniu páky pohonu kolies.



MH 445 R, MH 560, MH 585, MH 685:

Ak chcete aktivovať páku pohonu kolies, musíte z bezpečnostných dôvodov najskôr stlačiť príslušnú odist'ovacu páku. Predídete tak neúmyselnému aktivovaniu určitej páky pohonu kolies. Čierna páka pohonu kolies predstavuje stupeň pre pohon dopredu, červená páka pohonu kolies predstavuje spätný prevodový stupeň.



Nebezpečenstvo úrazu popálením!

Nedotýkajte sa horúcich povrchov. Sкриňa prevodovky sa zahrieva.

6. Rozsah dodávky



Ozn.	Názov	ks
A	Základný stroj	1
B	Vodiace držadlo	1
C	Upínacia páka	1
D	Transportný podvozok	1
E	Radlička kypriča	1
F	Ochranná lišta, ľavá	1
G	Ochranná lišta, pravá	1
H	MH 445, MH 445 R: Drviaca hviezdica	4
I	MH 560, MH 585, MH 685: Dvojdielna drviaca hviezdica	2
J	MH 585, MH 685: Jednodielna drviaca hviezdica	2
K	Ochranný krúžok	2
L	Ochranný kotúč rastlín	2
M	Páka pohonu kolies (dopredu), čierna	1
N	MH 445 R, MH 560, MH 585, MH 685: Páka pohonu kolies (dozadu), červená	1
O	MH 445: Poistná matica M6	1
P	MH 445: Kryt	1
Q	Poistná matica M6	1
R	Skrutka s plochou zaoblenou hlavou M6	1

Ozn.	Názov	ks
S	MH 445, MH 445 R, MH 585, MH 685: Sklopná závlačka 10 x 40 MH 560: Sklopná závlačka 10 x 40	6 4
T	Skrutka s plochou zaoblenou hlavou M8	2
U	Šesťhranná matica M8	2
V	Káblová spona	2
–	Návod na obsluhu	1
–	Návod na obsluhu Spaľovací motor	1
–	MH 560, MH 585, MH 685: Kľúč na zapalovacie sviečky	1

7. Príprava stroja na prevádzku

7.1 Pokyny na montáž



Nebezpečenstvo poranenia!

Dodržiavajte bezpečnostné pokyny uvedené v kapitole „Pre vašu bezpečnosť“. (⇒ 4.) Snímate koncovku zapalovacej sviečky a pri všetkých prácach na drviacich hviezdiciach používajte pevné rukavice.

Dbajte na dodržiavanie uťahovacích momentov!

Lanko pohonu a ovládacie lanko akcelerátora veďte a zaveste podľa uvedených pokynov.

Nesprávne namontované lanká (napr. nesprávne vedenie alebo zavesenie do nesprávnej páky pohonu kolies) môžu spôsobiť chybné fungovanie stroja.

- Pri vykonávaní všetkých opísaných prác musíte stroj postaviť na čistú, vodorovnú, hladkú a stabilnú plochu.
- Dbajte na dodržiavanie montážnych polôh, stroj vždy umiestnite do stabilnej a bezpečnej polohy.
- Presne dodržiavajte pokyny týkajúce sa montáže laniek, dbajte predovšetkým na upevnenie všetkých laniek s **káblovými sponami** na vodiace držadlo, aby ste predišli škodám na stroji (napríklad pri preklopení vodiaceho držadla) alebo prípadnému chybnému fungovaniu stroja.

Páka pohonu kolies, lanká pohonu

MH 445:

- Čierna páka pohonu kolies na vrchnej strane vodiaceho držadla.
- Lanko pohonu (dopredu).

MH 445 R, MH 560, MH 585, MH 685:

- Čierna páka pohonu kolies na vrchnej strane vodiaceho držadla.
- Červená páka pohonu kolies na spodnej strane vodiaceho držadla.
- Lanko pohonu (dopredu). Lanko je vybavené **čiernou krytkou** a treba ho zavesiť do čiernej páky pohonu kolies.
- Lanko pohonu (dozadu). Lanko je vybavené **červenou krytkou** a treba ho zavesiť do červenej páky pohonu kolies.

7.2 Montáž podvozka



- Montážna poloha:
Základný stroj (A) preklopte dopredu podľa znázornenia na obrázku a zafixujte ho vložением vhodných drevených podložiek (1) (výška 50 - 60 mm, šírka/dĺžka približne 100 mm) pod oba hnacie hriadele.
- **1** Upevňovaciu sponu (2) zatlačte nahor a pridržte.
- **2** Prepravny podvozok (D) zasuňte do vybrania (3) na čape odist'ovacej páky (4).
- Prepravny podvozok (D) zatlačte nahor až na doraz a podržte ho.
- **3** Upevňovaciu sponu (2) zatlačte nadol. Zosponu zaveďte skrutky (T) na oboch stranách.
- **4** Pripevnite upevňovaciu sponu (2) zakrútením oboch matíc (U).

7.3 Montáž radličky kypriča



- Montážna poloha:
prečítajte si časť „Montáž podvozka“ (⇒ 7.2)
- Zatlačte a podržte odist'ovací čap (1).
- Zasuňte radličku kypriča (E) zosponu do adaptéra (2) a zatlačte ju nahor až na doraz.
- Uvoľnite odist'ovací čap (1) a potiahnite radličku kypriča (E) nadol, až kým sa nezaistí.
- Skontrolujte bezpečné upevnenie radličky kypriča (E).

7.4 Montáž vodiaceho držadla



- **1** Montážna poloha: prečítajte si časť „Montáž podvozku“ (⇒ 7.2)
- Odstráňte gumičku (1).
- **2** Nadvihnite a podržte konzolu (2).
- **3** Vodiace držadlo (B) ústredne zasuňte až na doraz medzi konzolu (2) a spodný diel vodiaceho držadla (3) a podržte ho. Čapy pružiny (4) musia byť podľa znázornenia umiestnené pozdĺž zárezov (5). Skontrolujte zobrazenú polohu pružín (4) v nastavovacom prvku (6), podľa potreby pružiny zaveste.
- **4** Dotiahnite skrutku (7).
- **5** Vyskrutkujte maticu (8) na upínacej páke (C) a odložte ju spolu s pružinou (9).
- Upínaciu páku (C) s integrovanou skrutkou zasuňte zhora do konzoly (2) a spodného dielu vodiaceho držadla (3). Pružinu (9) nasuňte na upínaciu páku (C). Zaskrutkujte maticu (8) otočením o jednu až dve otáčky.



Upozornenie!

Namontujte upínaciu páku (C) tak, aby sa pri upínaní sklápala smerom dopredu k spalovaciemu motoru.

- **6** Horný diel vodiaceho držadla (3) nastavte do stredovej polohy. (⇒ 11.3)
- Upínaciu páku (C) zatlačte rukou smerom dopredu.
- Maticu (8) dotiahnite momentom 5 Nm (nie až na doraz).

- Kontrola zaistenia: Montáž upínacej páky (C) je vykonaná správne, ak sa páka dá ovládať rukou a pritom zostane vodiace držadlo pevne pripevnené k základnému stroju.
- Nastavenie upínacej sily: Ak nie je vodiace držadlo dostatočne pevne upnuté alebo sa upínacia páka nedá ovládať rukou, uvoľnite upínaciu páku a prispôbte upínaciu silu zaťahovaním a odťahovaním matic (8). Upínaciu páku potom znova zatlačte rukou smerom dopredu.



Nebezpečenstvo úrazu!

Stroj sa smie tlačiť, resp. ťahať iba s vodiacim držadlom pevne upnutým k základnému stroju (vodiace držadlo sa v upnutom stave nesmie hýbať).

7.5 Vyklopenie vodiaceho držadla



- Upevňovaciu páku (1) vyťahnite nahor. Horný diel vodiaceho držadla (2) vyklopte v smere šípky.
- Upínaciu páku (1) potlačte dopredu až na doraz.
- Nastavte výšku vodiaceho držadla. (⇒ 11.2)

7.6 Montáž ochranných lišt



- Skontrolujte vopred namontované skrutky (1) v ochranných lištách (E, G) – nevyskrutkujte ich úplne.
- Motorový kultivátor umiestnite do polohy na čistenie. (⇒ 12.2)

- Lavú ochrannú lištu (F) s tromi vopred namontovanými skrutkami (1) vložte do troch otvorov (2) v krycom plechu.
- Ochrannú lištu (F) posuňte dopredu a podržte.
- Zaskrutkujte skrutky (1) a dotiahnite ich uťahovacím momentom 10 - 12 Nm.
- Skontrolujte bezpečné upevnenie ochrannej lišty (F) a rovnakým spôsobom namontujte pravú ochrannú lištu (G).

7.7 Montáž drviacich hviezdíc MH 445, MH 445 R



- Motorový kultivátor umiestnite do polohy na čistenie. (⇒ 12.2)



Presne dodržiavajte návod na montáž. Dbajte najmä na správne poradie jednotlivých krokov a úplne namontujte ochranné krúžky, drviace hviezdice a sklopné závlačky. Pri montáži sklopnej závlačky presne dodržte zobrazený smer zasunutia a montážnu polohu poistného oblúka. Pri nesprávnom, resp. pretočenom namontovaní sa môže sklopná závlačka samovoľne uvoľniť a vypadnúť.

Ak chcete dosiahnuť dobrý pracovný výsledok, musíte hrany drviacich hviezdíc nasmerovať dopredu (nie k vodiacemu držadlu). Dbajte na označenie šípkami.

Rozlíšenie drviacich hviezdíc:

- Drviaca hviezdica (1): rovnaký vonkajší priemer náboja na uloženie hriadeľa (2).

- Drviaca hviezdica (3): rozdielny vonkajší priemer náboja na uloženie hriadeľa (4).

1

- Ochranný krúžok (K) nasuňte na hnací hriadeľ (5) až na doraz. Výrezy v ochrannom krúžku musia zapadnúť do troch aretačných výstupkov na skrini prevodovky (6).
- Drviacu hviezdicu (1) umiestnite tak, aby **kratší** náboj na uloženie hriadeľa (2) smeroval ku skrini prevodovky a hrany (7) smerovali dopredu. Šípky (8) na drviacich hviezdiciach a šípka (9) na skrini prevodovky (6) musia ukazovať rovnakým smerom.
- Drviacu hviezdicu (1) nasuňte na hnací hriadeľ (5).
- Drviacu hviezdicu (1) otočte tak, aby otvory na náboji na uloženie hriadeľa a otvory na hnacom hriadelí ľícovali.

2

- Sklopnú závlačku (S) zasuňte zhora do otvorov a sklopte poistný oblúk.

3

- Drviacu hviezdicu (3) umiestnite tak, aby **menší** vonkajší priemer náboja na uloženie hriadeľa (4) smeroval k už namontovanej drviacej hviezdici (1) a hrany (7) smerovali dopredu. Šípky (8) na drviacich hviezdiciach a šípka (9) na skrini prevodovky (6) musia ukazovať rovnakým smerom.
- Drviacu hviezdicu (3) nasuňte na už namontovanú drviacu hviezdicu (1).
- Drviacu hviezdicu (3) otočte tak, aby otvory na oboch drviacich hviezdiciach ľícovali.

4

- Sklopnú závlačku (S) zasuňte zhora do otvorov a sklopte poistný oblúk.
- V prípade potreby namontujte ochranný kotúč rastlín. (⇒ 7.9)
- Tento postup montáže drviacich hviezdíc zopakujte aj na druhej strane.

7.8 Montáž drviacich hviezdíc MH 445, MH 585, MH 685



- Motorový kultivátor umiestnite do polohy na čistenie. (⇒ 12.2)



Presne dodržiavajte návod na montáž. Dbajte najmä na správne poradie jednotlivých krokov a úplne namontujte ochranné krúžky, drviace hviezdice a sklopné závlačky. Pri montáži sklopnej závlačky presne dodržte zobrazený smer zasunutia a montážnu polohu poistného oblúka. Pri nesprávnom, resp. pretočenom namontovaní sa môže sklopná závlačka samovoľne uvoľniť a vypadnúť.

Ak chcete dosiahnuť dobrý pracovný výsledok, musíte hrany drviacich hviezdíc nasmerovať dopredu (nie k vodiacemu držadlu). Dbajte na označenie šípkami.

Rozlíšenie drviacich hviezdíc:

- Drviaca hviezdica (I): dvojradová drviaca hviezdica.
- Drviaca hviezdica (J): jednoradová drviaca hviezdica.

1 MH 560, MH 585, MH 685

- Ochranný krúžok (K) nasuňte na hnací hriadeľ (1) až na doraz. Výrezy v ochrannom krúžku musia zapadnúť do troch aretačných výstupkov na skrini prevodovky (2).
- Drviacu hviezdicu (I) umiestnite tak, aby **kratší** náboj na uloženie hriadeľa (3) smeroval ku skrini prevodovky a hrany (4) smerovali dopredu. Šípky (5) na drviacich hviezdiciach a šípka (6) na skrini prevodovky (2) musia ukazovať rovnakým smerom.
- Drviacu hviezdicu (I) nasuňte na hnací hriadeľ (1).
- Drviacu hviezdicu (I) otočte tak, aby otvory na náboji na uloženie hriadeľa a otvory na hnacom hriadelí ľícovali.

2 MH 560, MH 585, MH 685

- Sklopnú závlačku (S) zasuňte zhora do otvorov a sklopte poistný oblúk.

3 MH 585, MH 685

- Drviacu hviezdicu (J) umiestnite tak, aby **menší** vonkajší priemer náboja na uloženie hriadeľa (7) smeroval k už namontovanej drviacej hviezdici (I) a rezná hrana (4) smerovali dopredu. Šípky (5) na drviacich hviezdiciach a šípka (6) na skrini prevodovky (2) musia ukazovať rovnakým smerom.
- Drviacu hviezdicu (J) nasuňte na už namontovanú drviacu hviezdicu (I).
- Drviacu hviezdicu (J) otočte tak, aby otvory na oboch drviacich hviezdiciach ľícovali.

4 MH 585, MH 685

- Sklopnú závlačku (S) zasuňte zhora do otvorov a sklopte poistný oblúk.

MH 560, MH 585, MH 685

- V prípade potreby namontujte ochranný kotúč rastlín. (⇒ 7.9)
- Tento postup montáže drviacich hviezdíc zopakujte aj na druhej strane.

7.9 Montáž ochranného kotúča rastlín



Pri montáži sklopnej závlačky presne dodržte zobrazený smer zasunutia a montážnu polohu poistného oblúka. Pri nesprávnom, resp. pretočenom namontovaní sa môže sklopná závlačka samovoľne uvoľniť a vypadnúť.

- Ochranný kotúč rastlín (L) nasadíte na vonkajšiu drviacu hviezdicu. Ochranný kotúč rastlín otočte tak, aby otvory na podložke a otvory na drviacej hviezdici lícovali.
- Sklopnú závlačku (S) zasuňte zhora do otvorov a sklopte poistný oblúk.
- Tento postup zopakujte aj na druhej strane.

7.10 Montáž páky pohonu kolies



- Dodržiavajte pokyny na montáž. (⇒ 7.1)
- Čiernu páku pohonu kolies (M) s integrovanou skrutkou (1) prestrčte zhora cez otvor v hornom diele vodiaceho držadla.
- MH 445:
Zaskrutkujte poistnú maticu (O) a dotiahnite ju uťahovacím momentom 7 - 9 Nm. Nasadíte kryt (P).

- MH 445 R, MH 560, MH 585, MH 685:
Červenú páku pohonu kolies (N) umiestnite tak, aby sa dala skrutka čiernej páky zaskrutkovať do integrovanej matice červenej páky. Červenú páku pohonu kolies (N) pritlačte smerom nahor k držadlu. Zaskrutkujte skrutku (1) a dotiahnite ju uťahovacím momentom 7 - 9 Nm.

7.11 Zavedenie lanka pohonu



- Dodržiavajte pokyny na montáž. (⇒ 7.1)
- **1** Rozviňte lanko pohonu (dopredu) (1) a zaveste ho do držiaka (2).
- **2** Maticu (3) utiahnite momentom 2 - 4 Nm.
- Lanko pohonu (dopredu) (1) vedte smerom nahor týmto spôsobom:
A Lanko pohonu (dopredu) (1) vedte ponad horný diel vodiaceho držadla (4).
B Lanko pohonu (dopredu) (1) vedte popod priečnu výstuhu (5) horného dielu vodiaceho držadla.
- MH 445 R, MH 560, MH 585, MH 685:
Lanko pohonu (dozadu) (6) vedte po pravej strane spaľovacieho motora popod vratnú páku (7). Lanko na vodiacom držadle, ako aj lanko pohonu (dopredu) vedte smerom nahor.

7.12 Zavesenie lanka pohonu



- Dodržiavajte pokyny na montáž. (⇒ 7.1)
- Lanko pohonu (dopredu):**
- Koncovku (1) lanka s čiernou krytkou (2) zasuňte do čiernej páky pohonu kolies (M).

- Koncovku (1) vedte cez otvor (3) páky (4). V prípade potreby použite vhodné kliešte.
- Pomocou vhodných klieští potiahnite za koncovku (1) a zaveste ju do páky (4), ako je uvedené na obrázku.
- Krytku (2) pritlačte k páke pohonu kolies (4) a zaareťujte.
- **Kontrola správneho fungovania:**
Aktivujte páku pohonu kolies. (⇒ 8.2)
S pákou pohonu kolies sa musí dať ľahko manipulovať.

Lanko pohonu (dozadu)

MH 445 R, MH 560, MH 585, MH 685:

- Koncovku lanka s červenou krytkou zavedte do červenej páky pohonu kolies.
- Ďalšie kroky montáže prebiehajú rovnako ako montáž lanka pohonu (dopredu).

7.13 Zavedenie a montáž ovládacieho lanka akcelerátora



- Dodržiavajte pokyny na montáž. (⇒ 7.1)
- Rozviňte ovládacie lanko akcelerátora (1) a vedte ho nasledujúcim spôsobom:
A Ovládacie lanko akcelerátora vedte ponad horný diel vodiaceho držadla (2).
B Ovládacie lanko akcelerátora vedte popod priečnu výstuhu (3) horného dielu vodiaceho držadla.

- Skrutku (T) vložte do otvoru puzdra ovládacieho lanka akcelerátora (4). Puzdro ovládacieho lanka akcelerátora s vloženou skrutkou nasadíte z vnútornej strany na horný diel vodiaceho držadla a podržte ho. Naskrutkujte poistnú maticu (U) a dotiahnite ju uťahovacím momentom 7 - 9 Nm.

7.14 Upevnenie laniek na vodiace držadlo



- Dodržiavajte pokyny na montáž. (⇒ 7.1)
- MH 445:
Lanko pohonu (1) upevnite pomocou káblovej spony (V) na pravú stranu horného dielu vodiaceho držadla.
- MH 445 R, MH 560, MH 585, MH 685:
Obe lanká pohonu (1, 2) upevnite pomocou káblovej spony (V) na pravú stranu horného dielu vodiaceho držadla.
- Ovládacie lanko akcelerátora (3) upevnite pomocou káblovej spony (V) na ľavú stranu horného dielu vodiaceho držadla.
- Skontrolujte bezpečné upevnenie káblovej spony. Odstávajúce konce káblovej spony odrežte.

7.15 Palivo a motorový olej



Zabráňte poškodeniu stroja!

Pred prvým naštartovaním stroja musíte naplniť motorový olej. Na plnenie motorového oleja, resp. pri tankovaní použite vhodnú pomôcku (napr. lievik).

Motorový olej:

Informácie o predpísanom druhu motorového oleja a kapacite oleja získate v návode na obsluhu spaľovacieho motora. Pravidelne kontrolujte stav naplnenia (prečítajte si návod na obsluhu spaľovacieho motora). Dbajte na to, aby výška hladiny oleja nebola príliš vysoká ani príliš nízka. Pred uvedením spaľovacieho motora do prevádzky poriadne zaskrutkujte uzáver olejovej nádrže.



Palivo:

Odporúčanie:

Čerstvé značkové palivá.

Bezolovnatý benzín.

Údaje o kvalite paliva (oktánové číslo) získate v návode na obsluhu spaľovacieho motora.



8. Ovládacie prvky

8.1 Páka regulácie akcelerátora

Pomocou páky regulácie akcelerátora (1) možno regulovať otáčky spaľovacieho motora.



Poloha na naštartovanie:

- Páku regulácie akcelerátora (1) potiahnite smerom **dozadu** až na doraz.
- Spaľovací motor možno naštartovať. (⇒ 11.6)



Poloha na zastavenie:

- Páku regulácie akcelerátora (1) posuňte smerom **dopredu** až na doraz (dbajte na správne zaaretovanie).



- Spaľovací motor sa po niekoľkých sekundách zastaví.

Regulácia otáčok:

- Páku regulácie akcelerátora (1) posúvajte vtedy, keď je spaľovací motor v prevádzke.

Otáčky motora:

Vysoké (rýchlo)



Nízke (pomaly)



8.2 Páka pohonu kolies



Po aktivovaní páky pohonu kolies (1, 3) sa pri bežiacom spaľovacom motore zapne, resp. vypne spojka pohonu. Hnací hriadeľ sa začne otáčať resp. sa zastaví.

Aktivovaním **čiernej** páky pohonu kolies (dopredu) (1) sa motorový kultivátor s namontovanými drviacimi hviezdicami pri kontakte so zemou uvedie do pohybu smerom **dopredu**.

Aktivovaním **červenej** páky pohonu kolies (dozadu) (3) sa motorový kultivátor s namontovanými drviacimi hviezdicami pri kontakte so zemou uvedie do pohybu smerom **dozadu**.

Páky pohonu kolies sú z bezpečnostných dôvodov mechanicky blokované s cieľom zabrániť neúmyselnému aktivovaniu páky. (⇒ 9.1)

Okrem toho je v prípade modelov MH 445 R, MH 560, MH 585, MH 685 možné v dôsledku mechanickej poistky vždy stlačiť iba jednu páku pohonu kolies – či už páku pohonu kolies (dopredu), alebo páku pohonu kolies (dozadu).



Zabráňte poškodeniu stroja!

Páku pohonu kolies ovládajte rýchlo a plynule. Nenechávajte ju v napoly stlačenej polohe, aby ste predišli výraznému opotrebovaniu klinového remeňa.

Aktivovanie páky pohonu kolies (dopredu):



- **1** Odisťovaciú páku (2) zatlačte až na doraz k páke pohonu (dopredu) (1) a podržte.
- **2** Páku pohonu kolies (dopredu) (1) stlačte plynulo až na doraz a podržte.
- Uvoľnite odisťovaciú páku (2). Spojka pohonu je zapnutá a hnací hriadeľ sa otáča.
- **3** Vypnutie spojky pohonu: Uvoľnite páku pohonu kolies (dopredu) (1).

Aktivovanie páky pohonu kolies (dozadu) (MH 445 R, MH 560, MH 585, MH 685):



- **1** Odisťovaciú páku (4) zatlačte až na doraz k páke pohonu (dozadu) (3) a podržte.
- **2** Páku pohonu kolies (dozadu) (3) stlačte plynulo až na doraz a podržte.
- Uvoľnite odisťovaciú páku (4). Spojka pohonu je zapnutá a hnací hriadeľ sa otáča.
- **3** Vypnutie spojky pohonu: Uvoľnite páku pohonu kolies (dozadu) (3).

9. Bezpečnostné zariadenia

Stroj je na zaistenie bezpečnej obsluhy a ochrany pred neoprávneným použitím vybavený mnohými bezpečnostnými zariadeniami.



Nebezpečenstvo poranenia!

Bezpečnostné zariadenia nemožno odstrániť, premostiť ani upraviť a nesmú byť poškodené. Ak sa na niektorom bezpečnostnom zariadení zistí porucha, stroj sa nesmie uviesť do prevádzky. V takomto prípade sa obráťte na špecializovaného predajcu. Spoločnosť STIHL odporúča špecializovaného predajcu výrobkov STIHL.

9.1 Blokovanie páky pohonu kolies

Páky pohonu kolies sú z bezpečnostných dôvodov mechanicky blokové, aby ste predišli neúmyselnému aktivovaniu páky.

Ak chcete aktivovať páku pohonu kolies, musíte najskôr stlačiť príslušnú odisťovaciú páku. (⇒ 8.2)

9.2 Ochranné zariadenia

Motorový kultivátor je vybavený ochrannými zariadeniami, ktoré bránia neúmyselnému kontaktu s pracovným náradím a slúžia na ochranu pred vymrštenými predmetmi. Tieto zariadenia zahŕňajú postranné ochranné lišty, ochranný plech a správne namontované vodiace držadlo.

10. Pokyny pre prácu

10.1 Pracovný priestor obsluhy



- Obsluha stroja sa musí z bezpečnostných dôvodov počas celej prevádzkovej doby stroja (keď beží spaľovací motor) zdržiavať len vo vymedzenej pracovnej oblasti (sivá plocha 1).
- Motorový kultivátor môže obsluhovať výlučne jedna osoba. Dbajte na to, aby sa v ohrozenom okolí nezdržiavali žiadne osoby. (⇒ 4.)

10.2 Pracovná pozícia stroja



- Motorový kultivátor sa smie uviesť do prevádzky, len keď stojí na zemi (spaľovacím motorom nahor). Počas celej prevádzkovej doby sa motorový kultivátor musí viesť pokiaľ možno vo vodorovnej polohe. Vyhýbajte sa nadmernému nakláňaniu alebo preklápaniu stroja.

10.3 Kombinácie drviacich hviezdíc



Na ľavý a pravý hnací hriadeľ montujte vždy rovnaký počet drviacich hviezdíc.

Ochranný kotúč rastlín sa dá namontovať pri všetkých opísaných kombináciách drviacich hviezdíc. Ochranný kotúč rastlín chráni rastliny v blízkosti nástroja (napr. pri kyprení úzkych hriadok).

Možné kombinácie drviacich hviezdíc MH 445, MH 445 R:

- 2 drviace hviezdice:
jednoradová drviaca hviezdica na
každom hnacom hriadelí
- 4 drviace hviezdice:
dve jednoradové drviace hviezdice na
každom hnacom hriadelí

Možné kombinácie drviacich hviezdíc MH 560:

- 2 drviace hviezdice:
jedna dvojradová drviaca hviezdica na
každom hnacom hriadelí

Možné kombinácie drviacich hviezdíc MH 585, MH 685:

- 2 drviace hviezdice:
jedna dvojradová drviaca hviezdica na
každom hnacom hriadelí
- 4 drviace hviezdice:
jedna dvojradová drviaca hviezdica a
jedna jednoradová drviaca hviezdica na
každom hnacom hriadelí

10.4 Ideálne držanie tela pri práci



Ideálne držanie tela pri práci
zabraňuje únave.

Stroj (nastavenie výšky vodiaceho
držadla, nastavenie radličky kypriča) preto
treba nastaviť tak, aby obsluha stroja
mohla počas celej pracovnej doby
pracovať s rovným držaním tela
(narovnaným chrbtom).

Ideálne držanie tela:

- vystretý chrbát,
- vystreté nohy,
- predlaktia mierne prehnuté smerom
nadol.

11. Uvedenie stroja do prevádzky

11.1 Prípravné opatrenia



Nebezpečenstvo úrazu!

Dodržiavajte bezpečnostné pokyny
uvedené v kapitole „Pre vašu
bezpečnosť“ (⇒ 4.) a oboznámte
sa s ovládacími prvkami
motorového kultivátora. (⇒ 8.)

- Skontrolujte stav hladiny motorového
oleja a naplňte nádrž. (⇒ 7.15)

11.2 Nastavenie výšky horného dielu vodiaceho držadla



Pri hornom diele vodiaceho držadla
sa dá nastaviť jeho výška.

- Vyklopte prepravný podvozok. (⇒ 11.4)
- Jednou rukou pevne uchopte horný diel
vodiaceho držadla (1) za rukoväť (2) a
držte ho.
- Druhou rukou potiahnite dozadu
upínaciu páku (3) a podržte ju.
- Horný diel vodiaceho držadla (1)
nastavte do požadovanej polohy.
- Potlačte upínaciu páku (3) dopredu a
dbajte na to, aby sa horný diel
vodiaceho držadla dokonale zaistil a
upevnil.
- V prípade potreby sklopte prepravný
podvozok. (⇒ 11.4)

11.3 Postranné nastavenie vodiaceho držadla



Vodiace držadlo sa dá postranne
nastaviť do 3 polôh.

- Vyklopte prepravný podvozok. (⇒ 11.4)
- Horný diel vodiaceho držadla podržte
jednou rukou za jedno z držadiel.
- Upínaciu páku (1) zatlačte rukou nahor.
- Vodiace držadlo nastavte do
požadovanej polohy. Dbajte pritom na
to, aby sa aretačný výstupok (2)
nachádzal nad jedným z troch
aretačných otvorov (3).
- Upínaciu páku (1) zatlačte rukou
dopredu a zaistíte vodiace držadlo.
- Skontrolujte riadne upevnenie
vodiaceho držadla.
- V prípade potreby sklopte prepravný
podvozok. (⇒ 11.4)

11.4 Vyklopenie a sklopenie prepravného podvozka



Pomocou prepravného podvozka
možno motorový kultivátor prepravovať
tlačeníím alebo ťahaním.



Nebezpečenstvo úrazu!

Keď sa prepravný podvozok
nachádza v pracovnej pozícii
(vyklopený nahor) a stlačí sa
odisťovacia páka, môže prepravný
podvozok samočinne spadnúť do
transportnej polohy.

Vyklopenie prepravného podvozka – transportná poloha:

- Jednou rukou mierne nadvihnite
prepravný podvozok (1) a podržte ho.

- Stlačte odisťovaciu páku (2).
- Prepravny podvozok (1) sklopte nadol až na doraz a pustite odisťovaciu páku (2). Prepravny podvozok sa zaistí a upevní.

Sklopenie prepravného podvozka – pracovná pozícia:

- Jednou rukou podržte prepravny podvozok (1) a miernym nadvihnutím ho odľahčite.
- Stlačte odisťovaciu páku (2) a vyklopte prepravny podvozok nahor.
- Pustite odisťovaciu páku (2) a vyklopte prepravny podvozok nahor až na doraz. Prepravny podvozok sa zaistí a upevní v pracovnej pozícii.

11.5 Nastavenie radličky kypriča



Pomocou radličky kypriča sa počas obrábania pôdy reguluje odpor proti pohybu, a tým aj rýchlosť pohybu. Nastavenie radličky kypriča možno meniť v 3 stupňoch s cieľom dosiahnuť lepšiu reguláciu.

Zmena nastavenia radličky kypriča:

- Prepravny podvozok vyklopte do transportnej polohy. (⇒ 11.4)
Stroj umiestnite do stabilnej a bezpečnej polohy.
- Zatlačte a podržte odisťovací čap (1).
- Radličku kypriča (2) nastavte do požadovanej polohy.
- Uvoľnite odisťovací čap (1) a dbajte pritom na to, aby sa radlička kypriča riadne zaistila.

11.6 Štartovanie spaľovacieho motora



- Páku regulácie akcelerátora nastavte do polohy pre štartovanie. (⇒ 8.1)
- Jednou rukou pevne uchopte držiak štartovacieho lanka (1) a podržte ho.
- Štartovacie lanko (1) pomaly vyťahujte, až kým nepocítite odpor spôsobený kompresiou motora. Následne lanko silno, rýchlo a naraz potiahnite až do dĺžky natiahnutej ruky. Štartovacie lanko (1) pomaly zasuňte späť, aby sa mohlo opäť správne navinúť. Opakujte postup, kým spaľovací motor nenabehne.

11.7 Vypnutie spaľovacieho motora

- Ak chcete vypnúť spaľovací motor, páku regulácie akcelerátora uveďte do pozície pre zastavenie motora. (⇒ 8.1)
Spaľovací motor sa po krátkej dobe dobehu úplne zastaví.

11.8 Vypnutie a zapnutie spojky pohonu kolies (dopredu)

Zapnutie spojky pohonu kolies (dopredu):

- Motorový kultivátor prepravujte k pracovnej ploche s vypnutým spaľovacím motorom. (⇒ 13.)
- Naštartujte spaľovací motor. (⇒ 11.6)
- Obomi rukami pevne uchopte držadlá motorového kultivátora.

- Aktivujte a podržte **čiernu** páku pohonu kolies (dopredu). (⇒ 8.2)
Hnací hriadeľ s namontovaným pracovným náradím sa začne otáčať tak, že sa motorový kultivátor uvedie do pohybu smerom dopredu.

Vypnutie spojky pohonu kolies (dopredu):

- Uvoľnite páku pohonu kolies (dopredu). (⇒ 8.2)
Hnací hriadeľ s namontovaným pracovným náradím sa zastaví.

11.9 Vypnutie a zapnutie spojky pohonu kolies (dozadu) (MH 445 R, MH 560, MH 585, MH 685)

Motorové kultivátory MH 445 R, MH 560, MH 585, MH 685 sú vybavené jedným spätným prevodovým stupňom.

Spätný prevodový stupeň slúži pri obrábaní pôdy výlučne na to, aby sa motorový kultivátor ľahšie uvoľnil zo zeme, v ktorej uviazol. Spätný prevodový stupeň nie je určený na kypanie.



Nebezpečenstvo úrazu!

Pred zapnutím spojky pohonu kolies (dozadu) neustále dbajte na zachovanie dostatočného priestoru medzi telom obsluhu a vodiacim držadlom.

Zapnutie spojky pohonu kolies (dozadu):

- Motorový kultivátor prepravujte k pracovnej ploche s vypnutým spaľovacím motorom. (⇒ 13.1)
- Naštartujte spaľovací motor. (⇒ 11.6)
- Obomi rukami pevne uchopte držadlá motorového kultivátora.

- Aktivujte a podržte **červenú** páku pohonu kolies (dozadu). (⇒ 8.2)
Hnací hriadeľ s namontovaným pracovným náradím sa začne otáčať tak, že sa motorový kultivátor uvedie do pohybu smerom dozadu.

Vypnutie spojky pohonu kolies (dozadu):

- Uvoľnite páku pohonu kolies (dozadu). (⇒ 8.2)
Hnací hriadeľ s namontovaným pracovným náradím sa zastaví.

11.10 Kyprenie

Pôda sa kyprí pomocou drviacich hviezdíc a pripraví sa tak na sejbu, obrábanie či kultiváciu rastlín.



Nebezpečenstvo úrazu!

Kyprenie vykonávajte len smerom dopredu.

Dávajte pozor na prekážky (napr. kamenná dlažba na chodníkoch), cez ktoré sa nesmie prechádzať.

- Motorový kultivátor prepravujte k pracovnej ploche s vypnutým spaľovacím motorom. (⇒ 13.1)
- Sklopte transportný podvozok. (⇒ 11.4)
- Naštartujte spaľovací motor. (⇒ 11.6)
- Oboma rukami pevne uchopte držadlá motorového kultivátora a zaujmite bezpečný postoj. Dodržiavajte správny pracovný priestor obsluhy. (⇒ 10.1)
- Aktivujte a podržte páku pohonu kolies (dopredu). (⇒ 11.8)
Drviace hviezdice sa začnú otáčať a môžete začať s kyprením.

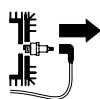
- Po práci vypnite spojku pohonu kolies (⇒ 11.8), vypnite motor (⇒ 11.7) a očistite stroj (⇒ 12.2).

12. Údržba



Nebezpečenstvo úrazu!

Pred všetkými údržbárskymi alebo čistiacimi prácami na stroji si pozorne prečítajte kapitolu „Pre vašu bezpečnosť“ (⇒ 4.), zvlášť podkapitolu „Údržba a opravy“ (⇒ 4.7), a presne dodržiavajte všetky bezpečnostné pokyny.



Pred začiatkom údržbárskych a čistiacich prác vyťahnite koncovku zapaľovacej sviečky!

12.1 Demontáž drviacich hviezdíc



Ak sa uvoľní sklopná závlačka vedľa skrine prevodovky, z hnacieho hriadeľa možno stiahnuť kompletnú sadu kypričov s ochranným kotúčom rastlín. Pri montážnych prácach na drviacich hviezdiciach dbajte na údaje uvedené v kapitolách Montáž drviacich hviezdíc (⇒ 7.7)(⇒ 7.8) a Kombinácie drviacich hviezdíc (⇒ 10.3).

- Stroj (spaľovací motor, prevodovka) nechajte úplne vychladnúť.
- Motorový kultivátor umiestnite do polohy na čistenie. (⇒ 12.2)

- Demontáž ochranného kotúča rastlín: Vyklepte poistný oblúk sklopnej závlačky (1) a vyťahnite sklopnú závlačku. Vyťahnite ochranný kotúč rastlín (2).
- Demontáž drviacich hviezdíc: Vyklepte poistný oblúk sklopnej závlačky (3) a vyťahnite sklopnú závlačku. Vyťahnite kompl. drviace hviezdice (4).
- Snímte ochranné krúžky (5) a uschovajte ich na bezpečnom mieste, aby sa nestratili.

12.2 Čistenie stroja



Interval údržby: po každom použití

- Po každom použití sa musí celý stroj dôkladne vyčistiť. Starostlivé zaobchádzanie chráni stroj a predlžuje jeho životnosť.
- Pred čistením nechajte stroj vychladnúť, snímte koncovku zapaľovacej sviečky a pri čistení prevodovky a drviacich hviezdíc používajte odev s dlhými rukávami a pevné pracovné rukavice.

Poloha na čistenie:



Zabráňte poškodeniu stroja!

Motorový kultivátor uveďte do zobrazenej pozície len na krátky čas (čistiace a údržbárske práce). Pri skladovaní stroj umiestnite rovno (na stojato).

- Vyklepte transportný podvozok. (⇒ 11.4)
- Horný diel vodiaceho držadla nastavte do najvyššej polohy. (⇒ 11.2)

- Motorový kultivátor umiestnite na rovný a stabilný podklad.
- Stroj preklopte smerom dozadu tak, aby sa vodiace držadlo oprelo o zem.

Pokyny pre čistenie:

- Nečistoty a usadené zvyšky odstráňte kefkou, vlhkou handrou alebo dreveným kolíkom. Nepoužívajte žiadne agresívne čistiace prostriedky. Spoločnosť STIHL odporúča použiť špeciálny čistiaci prostriedok (napr. špeciálny čistiaci prostriedok značky STIHL).
- Prúdom vody nikdy nestriekajte na vodiace držadlo, časti spaľovacieho motora, tesnenia ani ložiská. To by mohlo mať za následok nákladné opravy.
- **Spaľovací motor:**
S cieľom zabezpečiť dostatočné chladenie motora je nutné pravidelné čistenie chladiacich rebier, ventilátora, priestoru okolo vzduchového filtra, výfuku a pod.
- **Skriňu prevodovky, podvozok a drviace náradie** možno čistiť prúdom vody, resp. pomocou vysokotlakového čistiaceho zariadenia.



Zabráňte poškodeniu stroja!

Pri použití vysokotlakového čistiaceho zariadenia treba dodržať odstup **min. 1 m** a prúdom vody nikdy nestriekať na ložiská, hnací hriadeľ ani tesnenia, predovšetkým nie na tesnenia medzi skriňou prevodovky a ochranným plechom.

12.3 Spaľovací motor

Interval údržby:

Pred každým použitím

Skontrolujte stav motorového oleja (prečítajte si návod na obsluhu spaľovacieho motora).

Dodržiavajte pokyny na obsluhu a údržbu uvedené v priloženom návode na obsluhu spaľovacieho motora.

12.4 Servisné intervaly



Zabráňte poškodeniu stroja!

Údržbárske práce na prevodovke môže vykonávať výlučne odborný predajca.

Údržba u špecializovaného predajcu: V prípade súkromných používateľov raz za rok

Údržbu motorového kultivátora odporúčame vykonať u špecializovaného predajcu. Spoločnosť STIHL odporúča špecializovaného predajcu výrobkov STIHL.

Údržba vykonávaná používateľom:

- **Pred každým uvedením stroja do prevádzky**
Skontrolujte stav motorového oleja (prečítajte si návod na obsluhu spaľovacieho motora)
- **Po každom použití**
Vyčistite stroj. (⇒ 12.2)

12.5 Uskladnenie a odstavenie stroja (zimná prestávka)



Motorový kultivátor skladujte v normálnej polohe (vyklopený prepravný podvozok). Priestorovo úsporné uskladnenie dosiahnete preklopením vodiaceho držadla dozadu (podľa obrázka).



Nebezpečenstvo prevrátenia!

Ak sú drviace hviezdice v nevhodnej polohe, motorový kultivátor sa môže prevrátiť dopredu. Preto treba neustále kontrolovať bezpečnú polohu motorového kultivátora. V prípade potreby drviace hviezdice zľahka otočte, aby sa znížila čelná tiažnosť. Alternatívne možno motorový kultivátor počas uskladnenia podoprieť v oblasti držadla na nosenie.

Stroj uskladnite v suchej, uzavretej a bezprašnej miestnosti. Zabezpečte, aby bol stroj uskladnený mimo dosahu detí.

Prípadné poruchy je potrebné odstrániť ešte pred uskladnením stroja. Stroj sa musí neustále nachádzať v bezpečnom prevádzkovom stave. Skontrolujte pevné dotiahnutie všetkých matíc, čapov a skrutiek, poškodené či nečitateľné výstražné a bezpečnostné symboly vymeňte za nové, skontrolujte celkové opotrebovanie a bezchybný technický stav stroja. Opotrebované a poškodené diely vymeňte.

Pri uskladnení stroja na dlhší čas (zimná prestávka) musíte navyše dodržať nasledujúce pokyny:

- Dôkladne vyčistite všetky povrchové plochy stroja.

- Vyprázdňte palivovú nádrž a karburátor.
- Všetky pohyblivé diely dobre naolejujte, resp. namažte tukom.
- Vyskrutkujte zapaľovaciu sviečku (prečítajte si návod na obsluhu spaľovacieho motora) a otvorom pre zapaľovaciu sviečku nalejte do spaľovacieho motora asi 3 cm³ motorového oleja. Spaľovací motor niekoľkokrát pretočte bez zapaľovacej sviečky (potiahnite štartovacie lanko).



Nebezpečenstvo požiaru!

Koncovku zapaľovacej sviečky uchovávajte mimo dosahu otvoru zapaľovacej sviečky (nebezpečenstvo požiaru).

- Znova zaskrutkujte zapaľovaciu sviečku (prečítajte si návod na obsluhu spaľovacieho motora).
- Vymeňte olej (prečítajte si návod na obsluhu spaľovacieho motora).
- Zakryte spaľovací motor a stroj umiestnite do normálnej polohy.

13. Preprava stroja

13.1 Preprava motorového kultivátora



Nebezpečenstvo úrazu!

Dodržiavajte bezpečnostné pokyny uvedené v kapitole „Pre vašu bezpečnosť“ (⇒ 4.), najmä v časti „Preprava“ (⇒ 4.4). Pred prepravou vypnite spaľovací motor, snímte koncovku zapaľovacej sviečky a oblečte si vhodný a bezpečný pracovný odev (pracovnú obuv, rukavice, kombinézu, ktorá vám zahalí ruky aj nohy).

Pozor na hmotnosť! (⇒ 18.)

1 Ťahanie alebo tlačenie motorového kultivátora:

- Radličku kypriča nastavte do najvyššej polohy. (⇒ 11.5)
- Vyklopte prepravný podvozok. (⇒ 11.4)
- Obidvomi rukami pevne uchopte obe držadlá (1) motorového kultivátora a stroj preklopte smerom dozadu tak, aby stál na prepravných kolesách.
- Motorový kultivátor pomaly (krokom) ťahajte alebo tlačte. Na hladkom a rovnom povrchu stroj tlačte, na nerovnom povrchu ho radšej ťahajte.



Nebezpečenstvo úrazu!

Z dôvodu značnej hmotnosti stroja dbajte na zvýšenú opatnosť pri prekonávaní prekážok, ako sú schody, obrubníky, šikmé rampy či iné vyvýšeniny.

Používateľ sa musí vždy nachádzať vyššie než stroj, aby v prípade straty kontroly nad strojom nemohlo dôjsť k úrazu následkom preklopenia stroja na používateľa. To znamená, že stroj treba pri prechádzaní cez vyvýšeniny či úseky so sklonom potlačiť nadol, resp. vytiahnuť nahor. Stroj ťahajte alebo tlačte cez maximálne 2 až 3 schody. V prípade vyššieho počtu schodov preneste motorový kultivátor s pomocou ďalšej osoby.

2 Dvíhanie alebo prenášanie motorového kultivátora:

- Skontrolujte dôkladné upevnenie horného dielu vodiaceho držadla.
- Motorový kultivátor musia dvíhať, resp. prenášať minimálne dve osoby, pričom je potrebné dbať na dostatočný odstup od drviacich hviezdíc.

Miesta uchytenia:

Držadlá (1) a držadlo na nosenie (2)

3 Preprava motorového kultivátora na ložnej ploche:

- Motorový kultivátor prepravujte vždy na **stojato** – na prepravnom podvozku a drviacich hviezdiciach. Stroj nikdy neprekĺpajte nabok.
- Pre stabilné umiestnenie stroja vyklopte prepravný podvozok (⇒ 11.4) a namontujte drviace hviezdice (⇒ 7.7), (⇒ 7.8).

- Pri preprave motorového kultivátora na ložnej ploche zaistíte stroj proti posunutiu použitím lán, resp. popruhov.

Miesta zaistenia:

Os prepravného podvozka (3) a os drviacich hviezdíc (4).

14. Ochrana životného prostredia



Obalové materiály, stroj a príslušenstvo sú vyrobené z recyklovateľných materiálov, preto sa musia príslušne zlikvidovať.

Triedený ekologický zber a likvidácia odpadových materiálov je základným predpokladom pre efektívnu recykláciu cenných surovín. Z tohto dôvodu sa musí stroj po ukončení bežnej technickej životnosti odovzdať do zberu triedeného materiálu.

14.1 Likvidácia

Použitý olej (motorový olej, prevodový olej) a palivo vždy odborne zlikvidujte.

Spaľovací motor pred likvidáciou zneškodnite tak, aby bol nepoužiteľný. Preto odstráňte kábel zapalovania, vyprázdňte palivovú nádrž a vypustite motorový olej.

Nebezpečenstvo úrazu drviacimi hviezdicami!

Záhradný motorový kultivátor nikdy nenechávajú bez dozoru, ani keď je vyradený z prevádzky. Zaistíte, aby bol stroj vrátane drviacich hviezdíc uskladnený mimo dosahu detí.

15. Opatrenia na minimalizovanie opotrebovania a na zabránenie vzniku škôd

Dôležité pokyny na údržbu a ošetrovanie skupiny výrobkov

Benzínové motorové kultivátory (STIHL MH)

Firma STIHL v žiadnom prípade neručí za škody na zdraví alebo materiálne škody, ktoré boli spôsobené nedodržovaním bezpečnostných pokynov, predovšetkým pokynov týkajúcich sa bezpečnosti, obsluhy a údržby a použitím neschváleného príslušenstva alebo neschválených náhradných dielov.

Ak chcete predísť poškodeniu alebo nadmernému opotrebovaniu stroja STIHL, bezpodmienečne dodržiavajte nasledujúce dôležité pokyny:

1. Bežné spotrebné náhradné diely

Niektoré diely strojov STIHL podliehajú bežnému prevádzkovému opotrebeniu i pri predpísanom používaní, a preto sa tieto diely musia v závislosti od spôsobu a doby použitia vždy včas vymeniť.

Medzi tieto diely patrí napr.:

- klinový remeň,
- drviaca hviezdica,
- radlička kypriča.

2. Dodržovanie pokynov uvedených v tomto návode na obsluhu

Používanie, údržba a uskladnenie stroja STIHL musí prebiehať tak dôkladne, ako je popísané v tomto návode na obsluhu. Za všetky škody, ku ktorým došlo následkom

nedodržania bezpečnostných pokynov a pokynov pre obsluhu a údržbu, zodpovedá sám užívateľ.

To platí predovšetkým pre:

- používanie výrobku v rozpore s predpísaným určením,
- použitie prevádzkových hmôt (mazivo, benzín a motorový olej – prečítajte si návod na obsluhu spaľovacieho motora), ktoré neboli schválené spoločnosťou STIHL,
- úpravy výrobku, ktoré neboli schválené spoločnosťou STIHL,
- použitie montážnych dielov, prídatného zariadenia alebo rezných nástrojov, ktoré neboli schválené firmou STIHL,
- používanie výrobku na športové alebo súťažné akcie,
- následné škody, ktoré vznikli ďalším používaním výrobku s chybnými súčiastkami.

3. Údržbárske práce

Všetky práce uvedené v odstavci „Údržba“ sa musia vykonávať pravidelne, podľa predpísaných intervalov.

Pokiaľ tieto údržbárske práce nemôže vykonať sám užívateľ, musí tým poveriť špecializovaného predajcu.

Spoločnosť STIHL odporúča nechať vykonávať všetky údržbárske práce a opravy len u špecializovaného predajcu STIHL.

Odborní predajcovia STIHL budú pravidelne ponúkať školenia a poskytovať technické informácie.

Zanedbaním týchto prác môžu vzniknúť škody, za ktoré zodpovedá sám užívateľ.

K tomu patria okrem iného:

- korózia a iné škody, spôsobené následkom neodborného uskladnenia,
- škody na stroji spôsobené použitím nekvalitných náhradných dielov,
- škody v dôsledku neskoro alebo nedostatočne vykonanej údržby, resp. v dôsledku údržbárskych prác alebo opráv, ktoré nevykonal servis špecializovaného predajcu.

16. Bežné náhradné diely

Sklopná závlačka (drviace hviezdice):
9396 021 3785

MH 445, MH 445 R

Sada kypričov kompl. vnútorná ľavá:

6241 710 0200

Sada kypričov kompl. vnútorná pravá:

6241 710 0205

Sada kypričov kompl. vonkajšia ľavá:

6241 710 0210

Sada kypričov kompl. vonkajšia pravá:

6241 710 0215

MH 560, MH 585, MH 685

Sada kypričov kompl. vnútorná ľavá:

6241 710 0220

Sada kypričov kompl. vnútorná pravá:

6241 710 0225

MH 585, MH 685

Sada kypričov kompl. vonkajšia ľavá:

6242 710 0210

Sada kypričov kompl. vonkajšia pravá:

6242 710 0215

17. Prehlásenie o zhode výrobcom - EÚ

17.1 Motorový kultivátor STIHL MH 445.0, MH 445.0 R, MH 560.0, MH 585.0, MH 685.0

STIHL Tirol GmbH
Hans Peter Stihl-Straße 5
6336 Langkampfen
Rakúsko

týmto zodpovedne vyhlasuje, že

- Konštrukčný typ: Motorový kultivátor
- Výrobná značka: STIHL
- Typ: MH 445.0, MH 445.0 R,
MH 560.0, MH 585.0, MH 685.0
- Sériové identifikačné číslo: 6241

zodpovedá príslušným ustanoveniam smerníc 2000/14/EC, 2006/42/EC, 2014/30/EU a 2011/65/EU a bola vyvinutá a zhotovená v súlade s danými verziami nasledujúcich noriem platných k dátumu výroby: EN 709 a EN 14982 (ak je aplikovateľná).

Názov a adresa sídla účastníkov konania:
TÜV Rheinland LGA Products GmbH
Tillystraße 2
D-90431 Nürnberg

Na zistenie nameranej a garantovanej hladiny akustického výkonu bola aplikovaná smernica 2000/14/EC, príloha VIII.

MH 445.0, MH 445.0 R

- Nameraná hladina akustického výkonu: 92 dB(A)
- Garantovaná hladina akustického výkonu: 93 dB(A)

MH 560.0, MH 585.0

- Nameraná hladina akustického výkonu: 91,3 dB(A)
- Garantovaná hladina akustického výkonu: 93 dB(A)

MH 685.0

- Nameraná hladina akustického výkonu: 92,4 dB(A)
- Garantovaná hladina akustického výkonu: 93 dB(A)

Technické podklady sú uschované v oddelení schvaľovania výrobkov spoločnosti STIHL Tirol GmbH.

Rok výroby a číslo stroja sú uvedené na motorovom kultivátore.

Langkampfen, 02. 11. 2020

STIHL Tirol GmbH

v z.



Matthias Fleischer, vedúci odboru výskumu a vývoja produktov

v z.



Sven Zimmermann, vedúci odboru kvality

18. Technické údaje

MH 445.0 / MH 445.0 R / MH 560.0 / MH 585.0 / MH 685.0

Sériové identifikačné číslo	6241
Spaľovací motor, typ	4-taktný spaľovací motor
Štartovací mechanizmus	Štartovacie lanko
Podľa smernice 2000/14/EC:	
Zaručená hladina akustického výkonu L_{WA}	93 dB(A)

MH 445.0 / MH 445.0 R

Typ motora	B&S Series 550 EX OHV RS
Zdvihový objem	140 cm ³
Menovitý výkon pri menovitých otáčkach	2,2 - 3100 kW - U/min
Palivová nádrž	0,8 l
Nástroj	4 kypriace prvky, 2 ochranné kotúče rastlín
Priemer sady kypričov	30 cm
Pracovné otáčky sady kypričov pri kontrolných otáčkach	124 ot./min
Kontrolné otáčky	3100 ot./min
Podľa smernice 2006/42/EC:	
Hladina akustického tlaku na pracovisku L_{pA}	80 dB(A)
Tolerancia K_{pA}	2 dB(A)
Uvedená charakteristická hodnota vibrácií podľa EN 12096:	

MH 445.0 / MH 445.0 R

Nameraná hodnota a_{hw}	5,50 m/s ²
Tolerancia K_{hw}	2,20 m/s ²
Meranie podľa EN 20643	
Pohon MH 445.0	1-stupňový chod dopredu
Pohon MH 445.0 R	1-stupňový chod dopredu 1 spätný prevodový stupeň
Hmotnosť	36 kg/37 kg

MH 560.0/ MH 585.0

Typ motora	Kohler HD675
Zdvihový objem	149 cm ³
Menovitý výkon pri menovitých otáčkach	2,3 - 3000 kW - U/min
Palivová nádrž	1,4 l
Nástroj MH 560.0	2 kypriace prvky, 2 ochranné kotúče rastlín
Nástroj MH 585.0	4 kypriace prvky, 2 ochranné kotúče rastlín
Priemer sady kypričov	32 cm
Pracovné otáčky sady kypričov pri kontrolných otáčkach	120 ot./min
Kontrolné otáčky	3000 ot./min
Podľa smernice 2006/42/EC:	
Hladina akustického tlaku na pracovisku L_{pA}	79 dB(A)
Tolerancia K_{pA}	2 dB(A)
Uvedená charakteristická hodnota vibrácií podľa EN 12096:	

MH 560.0/ MH 585.0

Nameraná hodnota a_{hw}	5,00 m/s ²
Tolerancia K_{hw}	2,50 m/s ²
Meranie podľa EN 20643	
Pohon	1-stupňový chod dopredu 1 spätný prevodový stupeň
Hmotnosť	41 kg/44 kg

MH 685.0

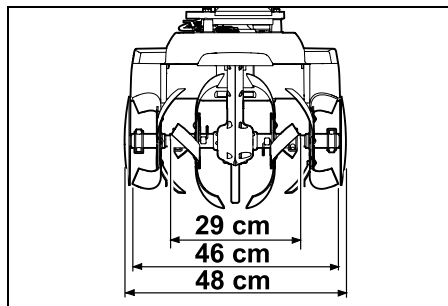
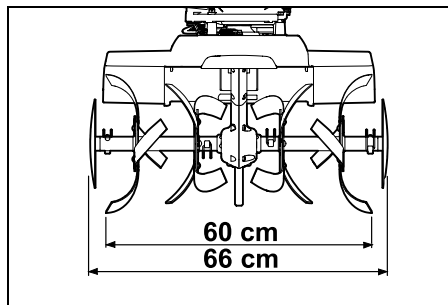
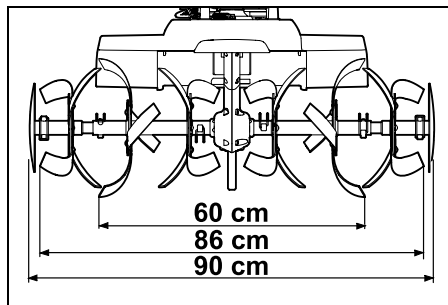
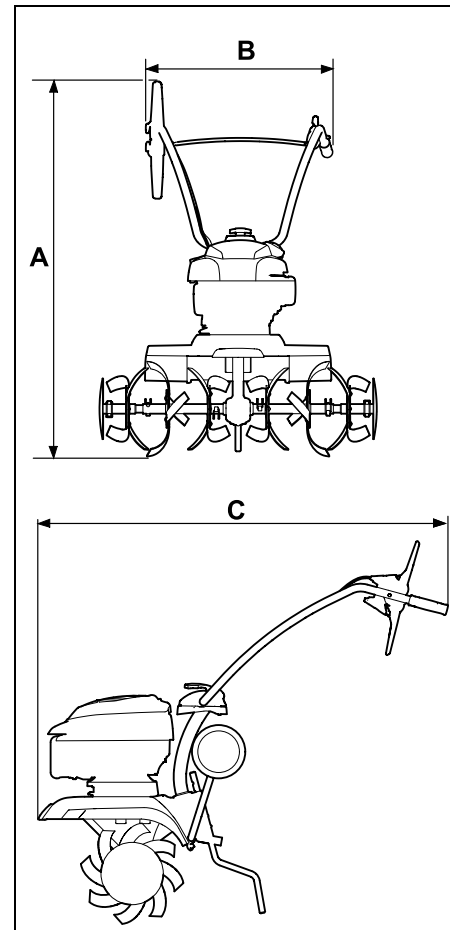
Typ motora	Kohler HD775
Zdvihový objem	173 cm ³
Menovitý výkon pri menovitých otáčkach	2,9 - 3200 kW - U/min
Palivová nádrž	1,4 l
Nástroj	4 kypriace prvky, 2 ochranné kotúče rastlín
Priemer sady kypričov	32 cm
Pracovné otáčky sady kypričov pri kontrolných otáčkach	128 ot./min
Kontrolné otáčky	3200 ot./min
Podľa smernice 2006/42/EC:	
Hladina akustického tlaku na pracovisku L_{pA}	80 dB(A)
Tolerancia K_{pA}	2 dB(A)
Uvedená charakteristická hodnota vibrácií podľa EN 12096:	
Nameraná hodnota a_{hw}	6,00 m/s ²
Tolerancia K_{hw}	2,40 m/s ²
Meranie podľa EN 20643	

MH 685.0

Pohon

1-stupňový chod
dopředu
1 spätný
prevodový
stupeň
46 kg

Hmotnosť

MH 445.0, MH 445.0 R:**MH 560.0:****MH 585.0, MH 685.0:****MH 445.0, MH 445.0 R, MH 560.0,
MH 585.0, MH 685.0:****MH 445.0, MH 445.0 R:**

A = 118 cm

B = 57 cm

C = 122 cm

MH 560.0, MH 585.0, MH 685.0:

A = 119 cm

B = 57 cm

C = 122 cm

18.1 REACH

REACH označuje nariadenie EÚ na registráciu, zhodnocovanie a schvaľovanie chemikálií.

Informácie o spĺňaní nariadení REACH (EÚ) č. 1907/2006 sú uvedené na stránke www.stihl.com/reach.

19. Hľadanie porúch

✘ prípadne vyhľadajte špecializovaného predajcu. Spoločnosť STIHL odporúča špecializovaného predajcu výrobkov STIHL.

📖 Prečítajte si návod na obsluhu spaľovacieho motora.

Porucha:

Spaľovací motor nenabieha

Pravdepodobná príčina:

- Páka regulácie akcelerátora je v polohe pre zastavenie motora
- V nádrži nie je palivo, upchaté palivové potrubie
- Nevhodné, znečistené alebo staré palivo v nádrži
- Koncovka zapaľovacej sviečky nie je nasunutá na zapaľovaciu sviečku, kábel zapaľovania nie je na koncovke správne upevnený
- Zapaľovacia sviečka je zanesená alebo poškodená, nesprávna vzdialenosť elektród
- Zanesený vzduchový filter

- Spaľovací motor je v dôsledku opakovaných pokusov o štartovanie presýtený

Odstránenie:

- Páku regulácie akcelerátora nastavte do polohy pre štartovanie (⇒ 8.1)
- Doplnite palivo (⇒ 7.15)
Vyčistite palivové potrubie (✘)
- Používajte vždy čerstvé značkové palivo (bezolovnatý benzín) (⇒ 7.15)
Vyčistite karburátor (✘)
- Nasadte koncovku zapaľovacej sviečky (📖)
Skontrolujte správny kontakt kábla zapaľovania a koncovky (✘)
- Vyčistite/vymeňte zapaľovaciu sviečku (📖), (✘)
Nastavte vzdialenosť elektród (✘)
- Vyčistite/vymeňte vzduchový filter (✘)
- Vyskrutkujte a vysušte zapaľovaciu sviečku, páku akcelerátora uveďte do polohy pre zastavenie motora, niekoľkokrát potiahnite štartovacím lankom pri vyskrutkovanej zapaľovacej sviečke (📖)

Porucha:

Sťažené štartovanie alebo pokles výkonu spaľovacieho motora

Pravdepodobná príčina:

- Voda v palivovej nádrži a v karburátore, upchatý karburátor
- Znečistená palivová nádrž
- Zanesený vzduchový filter
- Zanesená zapaľovacia sviečka

Odstránenie:

- Vyprázdňte palivovú nádrž, vyčistite palivové potrubie a karburátor (✘)
- Vyčistite palivovú nádrž (✘)
- Vyčistite/vymeňte vzduchový filter (📖), (✘)
- Vyčistite/vymeňte zapaľovaciu sviečku (📖), (✘)

Porucha:

Spaľovací motor sa veľmi zahrieva

Pravdepodobná príčina:

- Znečistené chladiace rebrá
- Príliš málo oleja v spaľovacom motore
- Povrch spaľovacieho motora je pokrytý zemou

Odstránenie:

- Vyčistite chladiace rebrá (⇒ 12.2)
- Doplnite motorový olej (⇒ 7.15)
- Odstráňte zem zo spaľovacieho motora

Porucha:

Nepravdivý chod spaľovacieho motora

Pravdepodobná príčina:

- Zanesený vzduchový filter

Odstránenie:

- Vyčistite/vymeňte vzduchový filter (📖), (✘)

Porucha:

Silné dymenie

Pravdepodobná príčina:

- Nadmerné množstvo motorového oleja
- Zanesený vzduchový filter

Odstránenie:

- Upravte kapacitu oleja (📖)
- Vyčistite/vymeňte vzduchový filter (📖), (✘)

Porucha:

Silné vibrácie počas prevádzky

Pravdepodobná príčina:

- Uvoľnené upevnenie motora

Odstránenie:

- Dotiahnite skrutky upevnenia motora (✘)

Porucha:

Znížený pracovný výkon

Pravdepodobná príčina:

- Nesprávne namontované drviace hviezdice
- Opotrebované drviace hviezdice
- Nesprávne nastavená radlička kypriča

Odstránenie:

- Správne namontujte drviace hviezdice (⇒ 7.7), (⇒ 7.8)
- Vymeňte drviace hviezdice (✘)
- Upravte nastavenie radličky kypriča (⇒ 11.5)

Porucha:

Žiadny pracovný výkon

Pravdepodobná príčina:

- Na hnacom hriadeľi nie je namontovaná sklopná závlačka

Odstránenie:

- Skontrolujte upevnenie drviacich hviezdíc na hnacom hriadeľi (⇒ 7.7), (⇒ 7.8)

Porucha:

Hlučná prevodovka

Pravdepodobná príčina:

- Nesprávne množstvo oleja v prevodovke

Odstránenie:

- Skontrolujte množstvo oleja v prevodovke (✘)

Porucha:

Hnací hriadeľ sa netočí pri aktivovanej páke pohonu kolies

Pravdepodobná príčina:

- Chybné lanko

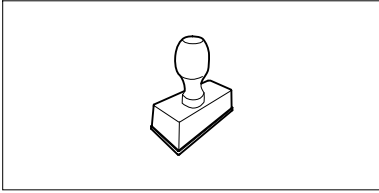
- Opotrebovaný hnací remeň

Odstránenie:

- Skontrolujte, resp. vymeňte lanko (✘)
- Vymeňte remeň (✘)

20. Servisný plán


20.1 Potvrdenie o prevzatí


Model: _____
Sériové číslo:
<input type="text"/> <input type="text"/> <input type="text"/> <input type="text"/> <input type="text"/> <input type="text"/> <input type="text"/> <input type="text"/> <input type="text"/>
Dátum: <input type="text"/> <input type="text"/> <input type="text"/> <input type="text"/> <input type="text"/> <input type="text"/>

Ďalší servis
Dátum: <input type="text"/> <input type="text"/> <input type="text"/> <input type="text"/> <input type="text"/> <input type="text"/>

20.2 Potvrdenie o vykonaní servisných prác



Tento návod na obsluhu dajte špecializovanému predajcovi výrobkov STIHL pri vykonávaní údržbárskych prác. Do predtlačенých polí poskytnite potvrdenie o vykonaní servisných prác.

 Servis vykonaný dňa

 Dátum nasledujúceho servisu

Sayın Müşterimiz,

STIHL ürünlerini tercih ettiğinizden dolayı teşekkür ederiz. Ürünlerimizi, müşterilerimizin talepleri ve istekleri doğrultusunda yüksek kalite ile geliştiriyor ve üretiyoruz. Bu sayede ekstrem şartları yerine getiren ve yüksek derecede güvenilir ürünler geliştirilmektedir.

STIHL markası aynı zamanda, alanında da yüksek kalite sunar. Bayilerimizden ve ihtisas mağazalarından ürünlerimizin kullanımı ve teknik özellikleri hakkında detaylı bilgi alabilirsiniz.

Ürünlerimize göstermiş olduğunuz güvenden dolayı teşekkür eder STIHL ürünlerimiz ile iyi çalışmalar dileriz.

Dr. Nikolas Stihl

ÖNEMLİ: KULLANIMDAN ÖNCE KILAVUZU OKUYUN VE SAKLAYIN.

1. İçindekiler

Kullanım kılavuzu hakkında	200	Tahrik çekme telinin asılması	211
Genel	200	Gaz telini yerleştirme ve monte etme	212
Kullanım kılavuzunu okuma talimatı	200	Çekme tellerinin gidona tespitlenmesi	212
Cihazın tarifi	201	Yakıt ve motor yağı	212
Güvenliğinin için	201	Kullanma elemanları	212
Genel	201	Gaz ayarı kolu	212
Benzin doldurma - Benzinle çalışma	202	Sürüş tahrik kolu	212
Kıyafet ve donanım	202	Güvenlik tesisatları	213
Cihazın taşınması	203	Sürüş tahrik kolu kilidi	213
Çalışmadan önce	203	Koruma tertibatları	213
Çalışma esnasında	204	Çalışmaya yönelik uyarılar	213
Bakım ve Onarımlar	205	Kullanıcının çalışma alanı	213
Uzun süreli çalışma aralarında saklama	207	Cihazın çalışma pozisyonu	213
İmha	207	Çapa bıçak seti kombinasyonları	213
Sembol açıklamaları	207	Çalışma sırasında ideal vücut şekli	214
Teslimat kapsamı	208	Cihazın çalıştırılması	214
Cihazın çalışmaya hazır hale getirilmesi	208	Hazırlayıcı önlemler	214
Montaj uyarıları	208	Gidon üst parçası yükseklik ayarı	214
Yürüyen aksamı monte etme	208	Gidon yan ayarı	214
Fren mahmuzunu monte etme	209	Taşıma aksamını açma ve kapatma	214
Gidonun montajı	209	Fren mahmuzunu ayarlama	215
Gidonu açma	209	Benzinli motoru çalıştırma	215
Koruyucu çitaları monte etme	209	Benzinli motoru durdurma	215
Çapa bıçak seti montajı MH 445, MH 445 R	210	Sürüş tahriğinin (ileri) takılıp ayrılması	215
Çapa bıçak seti montajı MH 445, MH 585, MH 685	210	Sürüş tahriğinin (geri) takılıp ayrılması (MH 445 R, MH 560, MH 585, MH 685)	215
Bitki koruma diskini monte etme	211	Çapalama	216
Sürüş tahrik kolunun montajı	211	Bakım	216
Tahrik çekme telinin döşenmesi	211	Çapa bıçak setinin sökülmesi	216
		Cihazın temizlenmesi	216
		Benzinli motor	217
		Bakım zamanı	217

Saklama ve uzun süreli mola (kış molası)	217
Nakliye	218
Motorlu çapa makinesini taşıma	218
Çevre koruma	218
İmha	218
Aşınmanın en aza indirgenmesi ve hasar oluşumunun önlenmesi	219
Sık kullanılan yedek parçalar	219
EU Uygunluk Beyanı	220
Motorlu çapa makinesi STIHL MH 445.0, MH 445.0 R, MH 560.0, MH 585.0, MH 685.0	220
STIHL Yönetim merkezi adresi	220
STIHL Dağıtım şirketleri adresleri	220
STIHL İthalatçılar adresleri	220
Teknik veriler	221
REACH	222
Hata arama	222
Servis planı	224
Teslimat onayı	224
Servis onayı	224

2. Kullanım kılavuzu hakkında

2.1 Genel

Bu kullanım kılavuzu üreticinin EG yönergesi 2006/42/EC'ye ilişkin **Orijinal Kullanım Kılavuzudur**.

STIHL, ürün yelpazesini geliştirme çalışmalarına kesintisiz olarak devam etmektedir, bu nedenle teslimat kapsamında biçim, teknik ve donanım yönünden değişiklik yapma hakkı saklıdır. Bu kitapçıkta bilgiler ve resimler hiçbir talep hakkı doğurmayacaktır.

Kullanım kılavuzunda her ülkede mevcut olmayan modeller de yer almaktadır.

Bu kullanım kılavuzu telif haklarıyla korunmuştur. Tüm hakları saklıdır, özellikle elektronik sistemlerle çoğaltma, çeviri ve işleme hakkı.

2.2 Kullanım kılavuzunu okuma talimatı

Resimler ve metinler, belirli kullanım adımlarını tarif eder.

Cihaz üzerinde bulunan tüm semboller bu kullanım kılavuzunda açıklanır.

Bakış yönü:

Kullanım kılavuzundaki "sol" ve "sağ" kavramları için bakış yönü: Kullanıcı cihazın arkasında durur ve sürüş yönünde ileri bakar.

Bölüm yönlendirme:

Diğer açıklamaların yer aldığı bölümlere ve alt bölümlere bir ok işareti ile yönlendirme yapılmıştır. Aşağıdaki örnekte bir bölüme yönlendirme gösterilmektedir: (⇒ 4.)

Metin bölümlerine ait işaretler:

Tanımlanan talimatlar takipteki örnekte belirtildiği gibi olabilir.

Kullanıcının müdahalesini gerektiren kullanım adımları:

- Cıvataı (1) bir cıvata sökücü ile çözünüz, kolu (2) tetikleyiniz ...

Genel sıralamalar:

- Ürünün spor veya yarışma gibi faaliyetlerde kullanılması

Ek anlamlı metinler:

Ek anlamlı metin bölümleri, devamında tarif edilen sembollerden biriyle işaretlenerek vurgulanmıştır.



Tehlike!

Kişiler için kaza ve ağır yaralanma tehlikesi. Belirli bir davranış şekli gereklidir veya yasaklanmıştır.



Uyarı!

Şahıslar için yaralanma tehlikesi. Belirli bir davranış, olası yaralanmaları önleyecektir.



Dikkat!

Belirli bir davranışla önlenebilecek hafif yaralanmalar ve/veya maddi hasarlar.



Bilgi

Cihazdan daha fazla fayda sağlanması ve olası kullanım hatalarının önlenmesi için verilen bilgilerdir.

Resim açıklanmalı metinler:

Cihazın kullanımını açıklayan resimleri, kullanım kılavuzunun en başında bulabilirsiniz.

Bu kamera sembolü, resim sayfasındaki resimlerin kullanım kılavuzundaki ilgili metinlerle eşleştirilmesini sağlamaktadır.



3. Cihazın tarifi



- 1 Sürüş tahrik kolu (ileri)
- 2 Gidon üst parçası
- 3 Germe kolu
- 4 Marş motoru ipi
- 5 Benzinli motor
- 6 Buji soketi
- 7 Koruyucu çita
- 8 Bitki koruma diski
- 9 Çapa bıçak setleri
- 10 Taşıma kolu
- 11 Koruyucu çita
- 12 Taşıma aksamı
- 13 Fren mahmuzu
- 14 Kilit açma kolu (taşıma aksamı)
- 15 Kilit açma pimi (fren mahmuzu)
- 16 Tutamak
- 17 Gaz ayarı kolu
- 18 MH 445 R, MH 560, MH 585, MH 685: Sürüş tahrik kolu (geri)
- 19 Makine numarasına sahip güç plakası

4. Güvenliğiniz için

4.1 Genel



Cihaz ile yapılan çalışmalarda kaza önleyici kurallara kesinlikle uyunuz.



Cihaz ilk kez çalıştırılmadan önce kullanım kılavuzunun tamamı dikkatle okunmalıdır. Kullanım kılavuzunu daha sonraki kullanımlar için dikkatle saklayınız.

Ayrıca verilmiş benzinli motor kullanım kılavuzunda yer alan kullanım ve bakım uyarılarına dikkat ediniz.

Bu önlemlerin alınması, güvenliğinizi için şarttır, fakat liste eksiksiz değildir. Cihazı daima dikkatli bir şekilde ve sorumluluk bilinciyle kullanınız ve diğer kişilerin veya bu kişilere ait nesnelere zarar görmesine yol açan kazalarda tüm sorumluluğun makine sürücüsüne veya kullanıcıya ait olduğunu unutmayınız.

Kumandalar, ayar parçaları ve cihaz kullanımını hakkında bilgi edinin. Kullanıcı, özellikle iş aletlerinin ve cihazın benzinli motorunun nasıl hızlı bir şekilde durdurulacağını bilmelidir.

Cihaz sadece cihazın kullanımını bilen ve kullanım kılavuzunu okumuş olan kişiler tarafından kullanılmalıdır. İlk kullanımdan önce her kullanıcı, konuya özgü ve uygulamaya yönelik eğitimler/bilgiler almaya gayret etmelidir. Cihazın nasıl kullanılacağı hakkında satıcınızdan veya bir uzmandan bilgi alın.

Bu eğitimde, cihaz ile çalışma sırasında özellikle özen ve konsantrasyonun ne kadar önemli olduğu hakkında kullanıcı bilgilendirilmelidir.

Cihazı kurallara uygun yapıda kullanıyor olsanız da risk olasılıkları halen mevcuttur.



Boğulma nedeniyle hayati tehlike!

Ambalaj malzemesiyle oynayan çocukların boğulma tehlikesi vardır. Ambalaj malzemesini çocuklardan kesinlikle uzak tutun.

Cihazı ve tüm ilave parçaları sadece bu modeli tanıyan ve kullanımını bilen kişilere veriniz ve/veya ödünç veriniz. Kullanım kılavuzu cihazın bir parçasıdır ve birlikte verilmesi gerekmektedir.

Cihaz, ancak kişi iyice dinlenmişken, ruhsal ve fiziksel açıdan iyi durumdayken çalıştırılmalıdır. Eğer sağlığınıza ilgili bir sorunuz varsa, cihazla çalışmanızın mümkün olup olmadığına dair doktorunuza danışın. Alkol, tepki kabiliyetini etkileyen ilaç veya uyuşturucu kullanımından sonra cihaz ile çalışılmamalıdır.

Kullanıcının cihazı kullanmak ve bununla çalışmak için fiziksel, duyuşsal ve zihinsel yetkin olmasını sağlayın. Kullanıcı fiziksel, duyuşsal veya zihinsel açıdan kısıtlı ise kullanıcı sadece sorumlu bir kişinin gözetimi veya talimatlarına göre çalışabilir.

Kullanıcının reşit olmasını veya ilgili yerel kurallara göre gözetim altında meslek eğitimi almış olmasını sağlayın.

Dikkat - Kaza tehlikesi!

Motorlu çapa ünitesi, sadece tohum ekimi, toprağın sürülmesi veya bitki bakımına yönelik zemin çalışmaları için tasarlanmıştır. Sadece bu kullanım kılavuzunda tarif edildiği şekilde çalıştırılabilir - başka amaçla kullanmayın! Makinenin başka bir amaçla kullanılması tehlikeli olabileceğinden yasaktır. Yaralanmalar veya cihazda hasar meydana gelebilir.

Kullanıcı için tehlike teşkil edeceğinden motorlu çapa makinesi aşağıdaki gibi durumlarda kullanılmamalıdır (sıralama bütün olası durumları içermez):

- Çatıdaki ve balkondaki çalışmalar,
- Ağaç ve kesilmiş çit parçalarının doğranması ve öğütülmesi.

Cihaz ile eşya, hayvan, kişi ve özellikle de çocukların taşınması yasaktır.

STIHL tarafından izin verilen aksesuarların yetkili kişilerce montajı hariç, cihaz üzerinde yapılan her değişiklik güvenlik nedenleriyle yasaktır, ayrıca bu garanti anlaşmasının iptal olmasına neden olur. İzin verilmiş aksesuarlar hakkında yetkili STIHL bayinizden bilgi edinebilirsiniz.

Cihazda özellikle performansı ya da yanmalı motorun ve/veya elektro motorun devrini etkileyen her tür değişiklik yasaktır.

Açık alanlarda, parklarda, spor stadyumlarında, sokaklarda ve ormancılık ve ziraat alanlarında kullanırken dikkatli işletim son derece önemlidir.



Dikkat! Titreşim sebebiyle sağlık için tehlike! Aşırı titreşim, özellikle dolaşım problemi olan kişilerde kan

dolaşımının veya sinirlerin zarar görmesine sebep olabilir. Titreşim sebebiyle oluşabilecek belirtilerin ortaya çıkması durumunda doktora başvurun. Parmaklarda, ellerde veya bileklerde ortaya çıkan bu tür belirtiler arasında şunlar yer alır (sıralama bütün olası belirtileri içermez):

- His kaybı,
- Ağrı,
- Kas zayıflığı,
- Ciltte renk değişimi,
- Rahatsızlık veren karıncalanma.

Çalışma sırasında gidonu iki elinizle ön görülen noktalardan sıkıca ancak çok fazla kasılmadan tutun.

Çalışma sürelerini, uzun çalışma süresi neticesinde yüksek ölçüde yüklenme olmayacak yapıda planlayın.

Motorlu çapa makinesini kullanırken çalışma araları planlayın ve cihazı uzun süre boyunca kullanmaktan kaçının; uzun süreli titreşimler sağlığınıza zararlıdır.

4.2 Benzin doldurma - Benzinle çalışma



Hayati tehlike!

Benzin zehirli ve yüksek derecede yanıcıdır.

Benzini daima bunun için öngörülen ve test edilip onaylanmış kaplarda (bidonlar) saklayınız. Benzin deposu kapaklarını daima doğru vidalayınız ve sıkınız. Hasarlı kapaklar güvenlik nedeniyle değiştirilmelidir.

İşletim maddelerinin saklanması veya imhasında asla içecek kutuları veya benzeri cisimler kullanmayınız örn. yakıt. Bunun içindeki maddeler başka kişiler, özellikle de çocuklar, tarafından içilebilir.



Benzini kıvılcımdan, açık ateşten, sürekli yanan ateşten, sıcaklık kaynaklarından ve diğer ateş kaynaklarından uzak tutunuz. Sigara içmeyiniz!

Sadece açık alanda benzin doldurunuz ve dolum esnasında sigara içmeyiniz.

Benzin doldurmadan önce benzinli motoru durdurunuz ve soğumasını bekleyiniz.

Benzin, benzinli motor çalıştırılmadan önce doldurulmalıdır. Benzinli motor çalışırken veya makine sıcakken depo kapağı açılmamalı veya benzin doldurulmamalıdır.

Yakıt deposunu aşırı doldurmayın!

Yakıt genişleme boşluğu bırakmak için yakıt deposunu asla doldurma ağzının alt kenarının üzerine kadar doldurmayın.

Ayrıca benzinli motor kullanım kılavuzundaki bilgilere dikkat ediniz.

Benzinin taşması durumunda, benzinli motor ancak benzin bulaşmış yüzey temizlendikten sonra çalıştırılmalıdır. Benzin buharı dağılına kadar herhangi bir çalıştırma denemesi yapılmamalıdır (kurulayınız).

Dökülen yakıt daima silinmelidir.

Giysiye benzin bulaşmışsa, söz konusu giysi değiştirilmelidir.

Cihazı, depoda benzin varken asla bir bina içerisinde saklamayınız. Oluşan benzin buharı açık ateşe veya kıvılcıma temas ederek tutuşabilir.

Depo boşaltılacaksa, bu işlem açık alanda yapılmalıdır.

4.3 Kıyafet ve donanım



Çalışma esnasında daima sağlam tabanlı sağlam ayakkabılar giyilmelidir. Asla yalınayak veya sandaletlerle çalışmayınız.



Bakım ve temizlik çalışmalarında ve cihazın taşınmasında sağlam eldivenler takılmalı ve uzun saçlar toplanarak korunmalıdır (baş örtüsü, şapka vs.).



Cihazla çalışırken uygun, vücudu saran kıyafetler giyin, örn. tulum gibi, çalışma önlüğü



kullanmayın. Cihazla çalışırken şal, kravat, takı, sarkan bant veya kurdelalar gibi kıyafet parçaları bulundurmayın.

Dönen parçalar saçlara, kıyafetlere veya kıyafet parçalarına temas edebilir veya koparabilir. Bu ağır yaralanmalara neden olabilir.

4.4 Cihazın taşınması

Cihazın sivri ve sıcak parçalarının sizi yaralamaması için daima eldivenlerle çalışınız.

Cihazı benzinli motor çalışır durumdayken taşımayın. Taşımadan önce benzinli motoru kapatın, iş aletlerini durdurun ve buji soketini çekin.

Cihazı sadece benzinli motor soğukken ve yakıt yokken taşıyın.

“Nakliye” bölümündeki bilgilere dikkat ediniz. Orada cihazın nasıl kaldırılacağı ve/veya bağlanacağı açıklanmıştır. (⇒ 13.)

Cihazı daima iki kişi ile taşıyın - Tutma noktalarına dikkat edin.

Uygun yükleme yardımcıları kullanın (yükleme rampaları, kaldırma düzenekleri).

Güvenlik nedeniyle taşıma ve yükleme sırasında, özellikle yükleme rampalarının kullanımında, 15°'lik bir eğme açısının aşılması gerekmektedir.

Cihazı ve birlikte taşınan cihaz parçalarını yükleme yüzeyi üzerinde yeterli boyuttaki sabitleme araçları ile (kemer, halat v.s.) emniyete alın. Cihazı asla emniyete almadan nakliye etmeyin.

STIHL, motorlu çapa makinesinin araç içerisinde değil, ayrı bir treylerde, kendi taşıma alanında (örn. bagaj) taşınmasını tavsiye eder.

Cihazın nakliyesinde yerel yasal düzenlemelere, özellikle de cisimlerin yükleme yüzeylerinde taşınması ve yükün emniyete alınması ile ilgili düzenlemelere uyunuz.

4.5 Çalışmadan önce

Sadece kullanım kılavuzunu okumuş olan kişilerin cihaz ile çalıştığından emin olun.

Cihazı çalıştırmadan önce özellikle yakıt deposu, depo kapağı ve hortum bağlantıları gibi görünen parçaları kontrol ederek yakıt sisteminde sızdırma olmadığından emin olun. Sızıntı veya hasar varsa benzinli motoru çalıştırmayın.

– Yangın tehlikesi!

Cihaz çalıştırılmadan önce yetkili bayi/servis tarafından bakım yapılmalıdır.

Lütfen benzinli motorlu bahçe cihazlarının çalışma zamanlarına yönelik yerel kurallara dikkat edin.

Cihazın kullanılacağı araziye kontrol edin ve büyük taşları, sopaları, kabloları, kemikleri ve cihazın savurabileceği diğer yabancı cisimleri uzaklaştırın.

Yerde gömülü nesnelere (çim sulama tertibatları, bitki kazıkları, su valfleri, temeller, elektrik kabloları vs.) cihazla çalışmaya başlamadan önce belirgin olarak işaretlenmeli ve etrafından dolaşılmalıdır. Bunun gibi nesnelere asla üzerlerinden geçmeyiniz.

Cihazın kullanılmasından önce arızalı ve/veya aşınmış ve hasar görmüş tüm parçaları değiştirilmelidir. Makine üzerinde bulunan, okunamayacak durumdaki veya

hasarlı tehlike ve uyarı levhaları yenilenmelidir. STIHL yetkili bayinizde yedek yapışkan levhalar ve tüm diğer yedek parçalar hazır tutulmaktadır.

Cihazı kullanmadan önce buji soketinin ve bujinin sağlam ve güvenli bir şekilde takılı olup olmadığını kontrol edin.

Cihaz daima çalışma güvenliği sağlanmış durumda çalıştırılmalıdır. Her çalıştırma öncesinde şunları kontrol edin:

- tüm cihazın kurallara uygun şekilde monte edilmiş konumda olup olmadığı,
- emniyet tesisatları (örn. sürüş tahrik kolu, emniyet çitaları, koruyucu kapaklar, gidon, koruyucu kafes) sorunsuz bir durumda olmalı ve kurallara uygun olarak çalışıyor olmalıdır. Koruma tertibatları eksikse, hasarlıysa veya aşınmışsa cihazı asla kullanmayın.
- iş aletleri (kesici) ve tespitleme civataları, çatal pimlerin mevcut olup olmadığı ve/veya aşınmış veya hasarlı (çizik, çentik) olup olmadığı, Aşınmış veya hasarlı parçalar değiştirilmelidir.
- iş aletlerinin (çapa bıçak setleri) güvenli ve sağlam monte edilip edilmediği,
- sürüş tahrik kolunun kolay geçişli ve işlevsel olup olmadığı,
- depo kapağının kurallara uygun vidalanmış olup olmadığı,
- depo ve yakıt ileten parçaların ve depo kapağının sorunsuz durumda olduğu,
- yağ kapama civatasının kurallara uygun vidalanmış olduğu,
- kullanılan tüm aksesuarın kurallara uygun şekilde monte edilmiş olup olmadığı, teslimat kapsamında bulunan tüm aksesuarların monte edilmiş ve/veya kullanılıyor olup olmadığı,

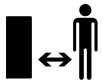
Gerekirse tüm çalışmalarını uygulayın ve/veya yetkili satıcı ile iletişime geçin. STIHL, STIHL-yetkili bayilerini/servislerini önermektedir.

Sol ve sağ koruyucu çıtaları kesim genişliğine göre belirlenmiştir ve her zaman düzgün monte edilmiş olmalıdır. MH 445 ve MH 445 R modellerinde kesim genişliği ek çapa bıçak setleriyle (STIHL aksesuarı) genişletilirse, daha büyük koruyucu çıtalar (aksesuarın teslimat kapsamında) monte edilmelidir.

Cihazı taşıma tekerlekleriyle çalışılacak alana doğru itirin veya çekin.

Çalıştırmadan önce cihazın üzerinde duran tüm nesnelere (alet, bezler, vs.) uzaklaşın.

4.6 Çalışma esnasında



Üçüncü kişileri tehlikeli bölgeden uzak tutun! Tehlike bölgesinde hayvanlar veya insanlar ve özellikle çocuklar varken çalışmayınız.

Dikkat! – Çalışma sırasında toprak, taş vs. gibi maddeler yukarı ve/veya yanlara fırlatılır.

Cihaz, sadece tek bir kişi tarafından kumanda edilebilir. Benzinli motor çalışırken, kullanıcı çalışma alanında bulunmalıdır. (⇒ 10.1)

Cihaz işletim sırasında gidon üzerindeki tutamaklar dışında asla taşıma kolundan, koruyucu sacdan veya diğer cihaz parçalarından kaldırılmamalı, itilmemeli veya çekilmemelidir - özellikle de ikinci bir kişi tarafından.

Cihaza monte edilmiş olan ayar ve güvenlik tesisatları çıkartılmamalı veya köprülenmemelidir. Özellikle sürüş tahrik kolunu asla gidon üst parçasına tespitlemeyin (örn. bağlayarak).



Dikkat – Yaralanma tehlikesi!

Ellerinizi veya ayaklarınızı asla dönen parçaların altına veya yakınına getirmeyin. Kılavuz çıtaları ile belirlenmiş olan güvenlik mesafesine uyulmalıdır. Güvenlik mesafesi, yönetmeliklere uygun olarak monte edilmiş ve açılmış gidonun uzunluğuna bağlıdır - Gidonu değiştirmeyin ve cihazı asla katlanmış gidonla çalıştırmayın.

Asla gidona herhangi bir cisim sabitlemeyin (örn. iş giysisi).

Sadece gün ışığında veya aydınlatma iyi durumdayken çalışın.

Cihazla yağmurda, fırtınada ve özellikle yıldırım tehlikesi durumunda çalışmayın!

Nemli zeminde sürtünme azalacağından kaza tehlikesi artacaktır.

Kaymayı engellemek için dikkat etmek gerekmektedir. Mümkünse cihazın nemli tabanlarda kullanılmasından kaçının.

Cihazı çapa bıçak setleri takılıyken asfalt zeminlerde, plakalı zeminlerde vs. çalıştırmayın.

Yamaçlar, arazi kenarları, hendekler ve su kenarları civarında çalışırken cihazı dikkatli kullanın. Böyle tehlike olasılığı yüksek olan yerlerden uzakta çalışın.

Atık gazlar:



Zehirlenme nedeniyle hayati tehlike!

Mide bulantısı, baş ağrısı, görme bozuklukları (örn. görüş alanının daralması), duyma bozuklukları, baş dönmesi, konsantrasyon azalması gibi durumlarda çalışmayı derhal bırakın. Bu semptomlar yüksek egzoz gazı konsantrasyonlarından kaynaklanıyor olabilir.



Benzinli motor çalışması esnasında cihaz zehirli gazlar üretir. Bu gazlar, renksiz ve kokusuz zehirli bir gaz olan karbonmonoksit ve başka zararlı maddeler içerir. Asla kapalı veya iyi havalandırılmayan alanlarda benzinli motor ile çalışmayınız.

Egzozdaki gazların çıkış yönüne dikkat edin. Egzozu asla direkt olarak insanlara doğru yöneltmeyin.

Çalıştırma:

Cihazı dikkatli bir şekilde çalıştırın - "Cihazın çalıştırılması" bölümündeki talimatlara (⇒ 11.) uyun. Bu talimatlar uyarınca çalıştırma, yaralanma riskini düşürür.

Yaralanma tehlikesi!

Marş motoru ipi hızlıca geri gelirse, el ve kol marş motoru ipinin bırakılmasından daha hızlı bir şekilde benzinli motora doğru çekilir. Bu tepme etkisi yüzünden kemik kırılmaları, ezilmeler ve şişlikler meydana gelebilir.

Ayaklarınız ve iş aleti arasında yeterli mesafenin olmasına dikkat edin.

Çalıştırılma esnasında cihaz devrilmemelidir.

Motorun çalıştırılması esnasında sürüş tahrik koluna basılmamalıdır.

Engebeli arazide çim biçme:

Eğimlerde cihazı daima enine olarak kullanın, asla eğime doğru kullanmayın. Kullanıcı eğimlerde asla cihazın aşağısında bulunmamalıdır. Eğer kontrol yitirilirse cihaz tarafından ezilebilir.

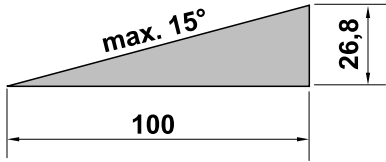
Eğimli arazide sürüş yönünüzü değiştirirken özel dikkat gösteriniz.

Eğimlerde kontrolü kaybetmemeye dikkat edin ve cihazla aşırı dik eğimlerde çalışmaktan kaçınınız.

Eğimli arazide kullanılması durumunda cihaz devrilebilir. Güvenlik nedeniyle, makine 15°'nin (%26.8) üzerinde eğime sahip arazilerde kullanılmamalıdır.

Yaralanma tehlikesi!

15°'lik bir eğim, 100 cm'lik yatay uzunlukta 26.8 cm'lik bir dikey yükselişe eşdeğerdir.



Yanmalı motorun yeterli miktarda yağlandığından emin olmak için cihazın eğimli yerlerdeki montajı sırasında yanmalı motorun birlikte verilen kullanım kılavuzundaki verilere dikkat edin.

Çalışma:



Yaralanma tehlikesi!

Ellerinizi veya ayaklarınızı asla dönen parçaların altına veya üstüne koymayınız.

Cihazı güvenlik amacıyla daima iki elle kumanda edin - her iki el de işletim sırasında gidonun tutamaklarında tutulmalıdır. Asla tek elle çalışmayın.

Çalışma derinliğini sadece fren mahmuzuna basarak düzenleyin.

Cihazı zor çalışılan zeminlerde (örn. taşlı veya sert) özellikle çok dikkatli kullanın - İş aletlerinin dönüş hızlarını azaltın (gaz ayarı).

Cihazı yürüme hızında hareket ettirin. Çalışırken asla cihaz ile birlikte koşmayın. Cihazın hızlı bir şekilde hareket ettirilmesi durumunda tökezleme veya kayma gibi nedenlerle yaralanma tehlikesi artacaktır.

Dikkat – Yaralanma tehlikesi!

Son derece dikkatli olun ve cihazı çevirirken, kendinize çekerken veya geri viteste kullanırken, iş aletleri (Çapa bıçak seti) ile ayaklar arasında yeterli mesafe bulunmasına dikkat edin.

Dikkat – Tökezleme tehlikesi!

Cihazı geriye doğru hareket ettiren kullanan kişinin arkasındaki engellere dikkat edin.

Cihaz sıkışırsa, benzinli motoru kapatın ve buji soketini çekin. Cihazı ikinci bir kişinin yardımıyla kaldırın ve kurtarın.

Aşağıdaki durumlarda benzinli motoru kapatın,

- makinenin taşıma amaçlı eğilmesi gerekiyorsa,
- makine çalışılacak alana veya çalışılacak alandan götürülecekse,
- makine terk edilmeden önce ve/veya makine gözetim altında değilse,
- benzin doldurmadan önce. Sadece benzinli motor soğukken benzin doldurun. **Yangın tehlikesi!**

– makine çalışılmayacak bir alana veya alandan götürülecekse.

Benzinli motoru durdurun ve buji soketini çekin:

- blokajları açmadan önce,
- cihaz kaldırılmadan ve taşınmadan önce,
- cihaz nakliye edilmeden önce,
- cihazı kontrol etmeden, temizlemeden veya makine üzerinde başka çalışmalar yapmadan önce; (örn. gidonun ayarlanması, taşıma aksamının açılması),
- yabancı bir cisme çarptığında veya cihaz alışılandan daha fazla titriyorsa. Bu durumlarda makinede ve özellikle iş aletlerinde (çapa bıçak seti, çapa bıçak seti tespitlemesi, tahrik mili) hasar olup olmadığını kontrol edin ve makineyi tekrar çalıştırmadan ve makineyle çalışmadan önce gerekli temizlik yapın.



Yaralanma tehlikesi!

Kuvvetli titreşimler normalde bir arıza belirtisidir.

Motorlu çapa makinesi özellikle hasarlı veya eğilmiş tahrik mili ve/veya hasarlı iş aletleri ile çalıştırılmamalıdır.

Gerekli bilgiye sahip değilseniz, daima yetkili servise başvurun - STIHL firması, STIHL yetkili servislerini önermektedir.

4.7 Bakım ve Onarımlar

Temizlik, ayar, onarım ve bakım işlerine başlamadan önce:

- Cihazı sert, düz bir zemin üzerinde park edin,

- Benzinli motoru durdurun ve soğumasını bekleyin,
- Buji soketini çekiniz.



Dikkat – Yaralanma tehlikesi!

Buji soketini bujiden uzakta tutun, istenmeyen bir ateşleme kıvılcımını yangınlara veya elektrik çarpmasına neden olabilir. Bujinin buji soketine istenmeyen bir teması, benzinli motorun istenmeden çalışmasına neden olabilir.

Cihazı temizlik veya bakım çalışmaları için sadece arkaya doğru yatırınız. Eğer cihaz yana veya öne doğru yatırılırsa, yanmalı motorda ve diğer cihaz parçalarında tamirat gerektirebilecek hasarlar meydana gelebilir.

Özellikle şanzıman, benzinli motor, egzoz dirseği ve susturucu bölgelerinde yapılacak bakım çalışmalarından önce cihazın soğumasını bekleyin. 80° C veya daha yüksek sıcaklıklara çıkılabilir.

Yanma tehlikesi!

Motor yağı ile direkt temas tehlikeli olabilir, ayrıca motor yağı çalkalanmamalıdır. STIHL, motor yağının doldurulmasının ve/veya motor yağı değişiminin STIHL yetkili servisleri tarafından yapılmasını tavsiye eder.

Cihazın tamamını düzenli olarak, özellikle de saklanması önce (örn. kış molasından önce) aşınma veya hasara karşı kontrol edin. Cihazın daima güvenli işletim durumunda bulunması için, eskimiş veya hasar görmüş parçaları güvenli açısından derhal değiştirin.

Temizleme:

Çalışmadan sonra tüm cihaz dikkatlice temizlenmelidir. (⇒ 12.2)

Yapışan artıkları bir tahta çubuk ile temizleyiniz. Cihazın alt tarafını fırça ve suyla temizleyin.

Aşındırıcı temizlik maddeleri kullanmayın. Bunlar plastiğe veya metale zarar vererek STIHL cihazının çalışma güvenliğini riske atabilir.

Cihazın alt tarafı (koruyucu sacın altındaki tüm parçalar) yüksek basınçlı ve/veya buharlı temizleyici ile temizlenebilir. Minimum 1 m'lik bir mesafeyi koruyun ve suyu asla direkt olarak yatak alanlarının ve contaların üstüne tutmayın - özellikle şanzıman gövdesi ve koruyucu sac arasındaki contalara.

Yangın tehlikesini önlemek için soğutma havası deliklerinin, soğutma kanatçığının ve egzoz etrafının olduğu bölge örn. çim, sap, yosun, yaprak veya yağdan uzak tutulmalıdır.

Bakım çalışmaları:

Sadece bu kullanım kılavuzunda belirtilmiş olan bakım çalışmaları gerçekleştirilmelidir, tüm diğer çalışmalar yetkili kişiler tarafından yapılmalıdır. Gerekli bilgiye ve yardımcı malzemelere sahip değilseniz **daima** yetkili servisimize başvurunuz.

STIHL, bakım ve onarım çalışmalarının sadece STIHL yetkili servisleri tarafından yapılmasını önerir.

STIHL yetkili servislerine düzenli olarak eğitim verilmekte ve teknik bilgi sağlanmaktadır.

Sadece STIHL tarafından bu cihaz için izin verilmiş olan araçları ve aksesuarları veya teknik olarak benzer parçaları kullanınız, aksi halde kişisel yaralanmaların ya da cihazda hasarların meydana gelebileceği kazaların oluşma riski vardır. Sorularınızda bir yetkili bayiye başvurmalısınız.

Orijinal STIHL aletleri, aksesuarları ve yedek parçaları cihaza ve kullanıcının beklentilerine en uygun özelliklere sahiptir. Orijinal STIHL yedek parçaları, STIHL yedek parça numarası, STIHL yazısı ve gerekirse STIHL yedek parça işaretinden anlaşılır. Küçük parçalarda sadece işaret de bulunabilir.

Güvenlik nedeniyle yakıt ileten yapı parçalarında (yakıt borusu, yakıt musluğu, yakıt deposu, depo kapağı, bağlantılar v.s.) hasar ve/veya sızıntı olup olmadığı düzenli olarak kontrol edilmeli, gerekirse bu parçalar yetkili bir kişi tarafından değiştirilmelidir (STIHL, STIHL yetkili servisini tavsiye eder).

Uyarı ve bilgi etiketlerinin daima temiz ve okunaklı olmalarını sağlayınız. Hasarlı veya kaybolan etiketler STIHL-yetkili bayisinden temin edebileceğini yeni orijinal levhalar ile değiştirilmelidir. Bir yapı parçası yenisiyle değiştirilecekse, yeni parçanın da aynı etiketle donatılmasına dikkat ediniz.

Cihazın daima güvenli işletim durumunda bulunması için, tüm somunların, pimlerin ve vidaların her zaman iyice sıkılmış olmasını sağlayın.

Benzinli motorun temel ayarını asla değiştirmeyiniz ve motora fazla yüklenmeyiniz.

Bakım çalışmaları için yapı parçaları veya koruma tertibatlarının çıkarılmış olması durumunda bunlar derhal yönetmeliklere uygun olarak tekrar takılmalıdır.

İş aletlerinin (Çapa bıçak setleri) değiştirilmesi sırasında çapa bıçak setleri tipi ve çapa bıçak setleri kombinasyonlarına dikkat edin - sadece STIHL tarafından onaylanmış modeller kullanılabilir.

4.8 Uzun süreli çalışma aralarında saklama

Cihazı kapalı bir alanda bırakmadan önce benzinli motorun soğuduğundan emin olunuz.

Yakıt deposu boşaltılmış cihazı ve mevcut yakıtı, kilitlenebilen, iyi havalandırmalı bir odada saklayınız.

Cihazın, yetkili olmayan kişilerce (örn. çocuklar tarafından) kullanılmamasını sağlayın.

Cihazı, depoda benzin varken asla bir bina içerisinde saklamayınız. Oluşan benzin buharı açık ateşe veya kıvılcıma temas ederek tutuşabilir.

Depo boşaltılacaksa, örn. kış molasından önce durdurma, boşaltma işlemi sadece açık arazide yapılmalıdır (örn. benzinli motoru çalışmaya bırakarak).

Cihazı saklamadan önce (örn. kış molası) iyice temizleyiniz.

Cihazı sadece buji soketi bujiden çekilmiş olarak saklayın.

Cihaz daima çalışma açısından güvenli durumda saklanmalıdır.

Cihazı örtmeden önce tamamen soğumasını bekleyin.

4.9 İmha

Eski yağ, yakıt, kullanılmış yağ, filtre, aküler ve aşınmış parçalar gibi atık ürünler insanlara, hayvanlara ve çevreye zarar verebilir, bu yüzden uygun olarak imha edilmelidirler.

Atıkların nasıl usulüne uygun şekilde imha edileceğini geri dönüşüm merkezinizden veya yetkili bayinizden/servisinizden öğreniniz. STIHL, STIHL-yetkili bayilerini/servislerini önermektedir.

Çim biçme makinesi kullanım ömrünü doldurduğu zaman kurallara uygun bir şekilde imha edilmesine dikkat edin. "Çevre koruma" bölümündeki bilgilere dikkat edin. (⇒ 14.)

5. Sembol açıklamaları



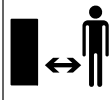
Dikkat! – Yaralanma tehlikesi!



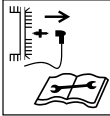
Cihazı çalıştırmadan önce kullanım kılavuzunu ve güvenlik bilgilerini okuyun ve bunlara uyun.



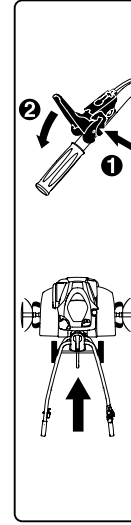
Dönen aletler: Ellerinizi ve ayaklarınızı dönen aletlerden uzak tutun. Sadece koruyucu kapaklar takılıyken çalıştırın.



Güvenlik mesafesini koruyun

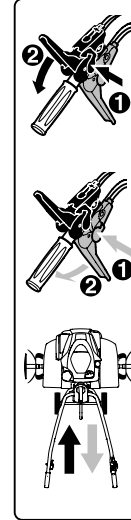


Bakım ve temizlik işlemlerinden önce buji soketini çekin.



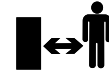
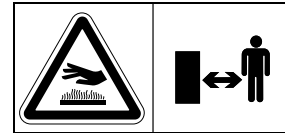
MH 445:

Tekerlek tahriki kolu çekilmeden önce güvenlik nedeniyle öncelikle kilit açma koluna bastırılmalıdır. Bu sayede sürüş tahrik kolu istemsiz çalıştırılması engellenmiş olur.



MH 445 R, MH 560, MH 585, MH 685:

Tekerlek tahriki kolu çekilmeden önce güvenlik nedeniyle öncelikle ilgili kilit açma koluna bastırılmalıdır. Bu sayede sürüş tahrik kolu istemsiz çalıştırılması engellenmiş olur. Siyah sürüş tahrik kolu ileri vites için, kırmızı sürüş tahrik kolu ise geri vites içindir.



Yanma tehlikesi!

Sıcak yüzeylere temas etmeyin.
Şanzıman gövdesi ısınır.

6. Teslimat kapsamı



Poz.	Tanım	Adet
A	Ana cihaz	1
B	Gidon	1
C	Germe kolu	1
D	Taşıma aksamı	1
E	Fren mahmuzu	1
F	Sol koruyucu çıta	1
G	Sağ koruyucu çıta	1
H	MH 445, MH 445 R: Çapa bıçak seti	4
I	MH 560, MH 585, MH 685: Çift katlı çapa bıçak seti	2
J	MH 585, MH 685: Tek katlı çapa bıçak seti	2
K	Koruma halkası	2
L	Bitki koruma disk	2
M	Sürüş tahrik kolu (ileri) siyah	1
N	MH 445 R, MH 560, MH 585, MH 685: Sürüş tahrik kolu (geri) kırmızı	1
O	MH 445: Emniyet somunu M6	1
P	MH 445: Kapak	1
Q	Emniyet somunu M6	1
R	Yassı yuvarlak cıvata M6	1

Poz.	Tanım	Adet
S	MH 445, MH 445 R, MH 585, MH 685: Katlanır kopilya 10x40 MH 560: Katlanır kopilya 10x40	6 4
T	Yassı yuvarlak cıvata M8	2
U	Altı köşeli somun M8	2
V	Kablo bağı	2
-	Kullanım Kılavuzu	1
-	Kullanım Kılavuzu Benzinli motor	1
-	MH 560, MH 585, MH 685: Buji anahtarı	1

7. Cihazın çalışmaya hazır hale getirilmesi

7.1 Montaj uyarıları



Yaralanma tehlikesi!

"Güvenliğiniz için" bölümündeki güvenlik talimatlarını dikkate alın. (⇒ 4.) Özellikle buji soketini çekin ve çapa bıçak setine dair tüm çalışmalarda sağlam iş eldivenleri kullanın.

Dönme momenti verilerine dikkat edin!

Tahrik çekme tellerini ve gaz telini sadece tarif edildiği şekilde yerleştirin ve asın.

Yanlış monte edilmiş çekme telleri (örn. yanlış yerleştirme veya yanlış tahrik koluna asma) hatalı fonksiyonlara neden olabilir.

- Anlatılan tüm çalışmaları temiz, yatay, düz ve sabit bir zeminin üzerinde gerçekleştirin.

- Montaj pozisyonlarına dikkat edin - cihazın daima sabit ve güvenli olarak konumlandırılmış olmasına dikkat edin.
- Çekme teli montajı talimatlarına tam olarak uyun, cihazda (gidonun katlanmasında) hasar oluşmasından ve olası hatalı fonksiyonlardan kaçınmak için özellikle tüm çekme tellerini **kablo bağları** ile gidona tespitleyin.

Sürüş tahrik kolu, tahrik çekme teli

MH 445:

- Gidonun üst kısmındaki siyah sürüş tahrik kolu.

- Tahrik çekme teli (ileri).

MH 445 R, MH 560, MH 585, MH 685:

- Gidonun üst kısmındaki siyah sürüş tahrik kolu.

- Gidonun alt kısmındaki kırmızı sürüş tahrik kolu.

- Tahrik çekme teli (ileri). Çekme teli bir adet **siyah kapak** ile donatılmıştır ve siyah sürüş tahrik koluna asılmalıdır.

- Tahrik çekme teli (geri). Çekme teli bir adet **kırmızı kapak** ile donatılmıştır ve kırmızı sürüş tahrik koluna asılmalıdır.

7.2 Yürüyen aksamı monte etme



- Montaj pozisyonu:
Ana cihazı (A) resimde gösterilen şekilde öne doğru eğin ve sabitlemek için her iki tahrik mili üzerine uygun ahşap altlıklar (1) (yükseklik 50 - 60 mm, genişlik/uzunluk yakl. 100 mm) yerleştirin.
- **1** Tutma tokasını (2) öne doğru bastırın ve basılı şekilde tutun.

- **2** Taşıma aksamını (D), kilit açma kolunun (4) pimindeki girintiye (3) yerleştirin.
- Taşıma aksamını (D) dayanak noktasına kadar yukarı bastırın ve basılı şekilde tutun.
- **3** Tutma tokasını (2) aşağı doğru bastırın. Cıvataları (T) her iki tarafta aşağıdan geçirin.
- **4** Tutma tokasını (2) her iki somunu (U) çevirerek sabitleyin.

7.3 Fren mahmuzunu monte etme



- Montaj pozisyonu: bkz. "Yürüyen aksamı monte etme" (⇒ 7.2)
- Kilit açma pimini (1) bastırın ve basılı şekilde tutun.
- Fren mahmuzunu (E) aşağıdan adaptöre (2) geçirin ve dayanak noktasına kadar yukarı doğru itin.
- Kilit açma pimini (1) bırakın ve fren mahmuzunu (E) yerine oturana kadar aşağıya doğru çekin.
- Fren mahmuzunun (E) düzgün yerleşmiş olduğunu kontrol edin.

7.4 Gidonun montajı



- **1** Montaj pozisyonu: bkz. "Yürüyen aksamı monte etme" (⇒ 7.2)
- Lastik bandı (1) çıkartın.
- **2** Konsolu (2) kaldırın ve tutun.

- **3** Gidonu (B), konsol (2) ile gidon alt parçası (3) arasında merkezde dayanak noktasına kadar geçirin ve o şekilde tutun. Yayların (4) kolları resmedildiği gibi geçme ayarı (5) boyunca uzanmalıdır. Yayların (4) ayar elemanı (6) içinde resmedildiği pozisyonunu kontrol edin, gerektiğinde yayı takın.
- **4** Cıvatayı (7) sıkın.
- **5** Germe kolundaki (C) somunu (8) çevirerek sökün ve yay (9) ile birlikte çıkartın.
- Germe kolunu (C), entegre cıvata ile birlikte yukarıdan konsolun (2) ve gidon alt parçasının (3) içine itin. Yay (9), germe kolunun (C) üzerine itin. Somunu (8) bir ila iki tur çevirerek sıkın.



Bilgi!

Germe kolunu (C), gerdirme işlemi için benzinli motora doğru öne bastırılması gerekecek şekilde monte edin.

- **6** Gidon üst parçası (3) için merkezi konumu ayarlayın. (⇒ 11.3)
- Germe kolunu (C) elinizle öne doğru bastırın.
- Somunu (8) 5 Nm ile döndürerek sıkın (dayanak noktasına kadar gelmeyin).
- Sıkışmayı kontrol etme: Germe kolu el ile hareket ettirilebiliyor ve bu sırada gidon ana cihaz üzerinde sabit bir şekilde duruyorsa germe kolunun (C) montajı düzgün şekilde gerçekleştirilmiştir.

- Germe kuvvetini ayarlama: Gidon yeterinde sıkıştırılmamışsa veya germe kolu el ile hareket ettirilemiyorsa, germe kolunu sökün ve somunu (8) içeri veya dışarı döndürmek suretiyle germe kuvvetini ayarlayın. Ardından germe kolunu öne doğru bastırın.



Yaralanma tehlikesi!

Cihaz ancak, gidonun ana cihaz üzerine sabitlenmiş olması halinde (gidon gerdirilmiş durumda gevşek olmamalıdır) itilebilir veya çekilebilir.

7.5 Gidonu açma



- Germe kolunu (1) yukarı çekin. Gidon üst parçasını (2) ok yönünde açın.
- Germe kolunu (1) dayanak noktasına kadar öne doğru bastırın.
- Gidon yüksekliğini ayarlayın. (⇒ 11.2)

7.6 Koruyucu çıtaları monte etme



- Koruyucu çıtalardaki (F, G) önceden monte edilmiş cıvataları (1) kontrol edin – tamamen sökmeyin.
- Motorlu çapa makinesini temizleme pozisyonuna getirin. (⇒ 12.2)
- Sol koruyucu çıtayı (F), önceden monte edilmiş üç adet cıvata (1) ile birlikte örtme sacı üzerindeki üç deliğin (2) üzerine yerleştirin.
- Koruyucu çıtayı (F) öne doğru itin ve bu şekilde tutun.
- Cıvataları (1) çevirerek takın ve 10 - 12 Nm ile sıkın.

- Koruyucu çitanın (F) düzgün yerleşmiş olduğundan emin olun ve ardından sağ koruyucu çitayı (G) aynı şekilde monte edin.

7.7 Çapa bıçak seti montajı

MH 445, MH 445 R



- Motorlu çapa makinesini temizleme pozisyonunda tutun. (⇒ 12.2)

i Montaj talimatına tam olarak uyun. Özellikle sıralamaya dikkat edin ve koruyucu halkaları, çapa bıçak setlerini ve katlanır kopilyaları belirtildiği gibi tam olarak monte edin. Katlanır kopilya montajı sırasında, resmedilen yerleştirme yönüne ve emniyet kelepçesinin seyrine tam olarak dikkat edin. Yanlış ve/veya eğik montaj durumunda katlanır kopilya kendiliğinden sökülebilir ve kaybolabilir.

İşin sonucunun düzgün olabilmesi için çapa bıçak setinin kesimi öne doğru (gidona doğru değil) olmalıdır - ok işaretine dikkat edin.

Çapa bıçak seti tanımı:

- Çapa bıçak seti (1): milde (2) eşit büyüklükte dış çap.
- Çapa bıçak seti (3): milde (4) farklı büyüklüklerde dış çap.

1

- Koruyucu halkayı (K), tahrik mili (5) üzerinde dayanak noktasına kadar itin. Koruyucu halkanın girintileri, şanzıman gövdesinin (6) üç yerleşme dişine geçmelidir.

- Çapa bıçak setini (1), kısa mil (2) şanzıman gövdesini gösterecek ve bıçak sırtları (7) öne doğru yönelmiş olacak şekilde yerleştirin. Çapa bıçak seti üzerindeki oklar (8) ve şanzıman gövdesindeki (6) ok (9) aynı yönü göstermelidir.

- Çapa bıçak setini (1) tahrik miline (5) itin.
- Çapa bıçak setini (1), mil ve tahrik mili üzerindeki delikler üst üste gelecek şekilde çevirin.

2

- Katlanır kopilyayı (S) deliklere sokun ve emniyet kelepçesini kapatın.

3

- Çapa bıçak setini (3), milin (4) daha küçük dış çapı, monte edilmiş olan çapa bıçak setini (1) gösterecek ve bıçak sırtları (7) öne doğru yönelmiş olacak şekilde yerleştirin. Çapa bıçak seti üzerindeki oklar (8) ve şanzıman gövdesindeki (6) ok (9) aynı yönü göstermelidir.

- Çapa bıçak setini (3) monte edilmiş olan çapa bıçak setine (1) yerleştirin.
- Çapa bıçak setini (3), her iki çapa bıçak seti üzerindeki delikler üst üste gelecek şekilde çevirin.

4

- Katlanır kopilyayı (S) deliklere sokun ve emniyet kelepçesini kapatın.
- Gerekirse bitki koruma diskini takın. (⇒ 7.9)
- İkinci sayfadaki çapa bıçak seti montajını tekrarlayın.

7.8 Çapa bıçak seti montajı

MH 445, MH 585, MH 685



- Motorlu çapa makinesini temizleme pozisyonunda tutun. (⇒ 12.2)



Montaj talimatına tam olarak uyun. Özellikle sıralamaya dikkat edin ve koruyucu halkaları, çapa bıçak setlerini ve katlanır kopilyaları belirtildiği gibi tam olarak monte edin. Katlanır kopilya montajı sırasında, resmedilen yerleştirme yönüne ve emniyet kelepçesinin seyrine tam olarak dikkat edin. Yanlış ve/veya eğik montaj durumunda katlanır kopilya kendiliğinden sökülebilir ve kaybolabilir.

İşin sonucunun düzgün olabilmesi için çapa bıçak setinin kesimi öne doğru (gidona doğru değil) olmalıdır - ok işaretine dikkat edin.

Çapa bıçak seti tanımı:

- Çapa bıçak seti (I): çift sıralı çapa bıçak seti.
- Çapa bıçak seti (J): tek sıralı çapa bıçak seti.

1 MH 560, MH 585, MH 685

- Koruyucu halkayı (K), tahrik mili (1) üzerinde dayanak noktasına kadar itin. Koruyucu halkanın girintileri, şanzıman gövdesinin (2) üç yerleşme dişine geçmelidir.

- Çapa bıçak setini (I), **kısa** mil bağlantı yeri (3) şanzıman gövdesini gösterecek ve bıçak sırtları (4) öne doğru yönelmiş olacak şekilde yerleştirin. Çapa bıçak seti üzerindeki oklar (5) ve şanzıman gövdesindeki (2) ok (6) aynı yönü göstermelidir.
- Çapa bıçak setini (I) tahrik miline (1) ittirin.
- Çapa bıçak setini (I), mil bağlantı yeri ve tahrik mili üzerindeki delikler üst üste gelecek şekilde çevirin.

2 MH 560, MH 585, MH 685

- Katlanır kopilyayı (S) deliklere sokun ve emniyet kelepçesini kapatın.

3 MH 585, MH 685

- Çapa bıçak setini (J), mil bağlantı yerinin (7) **küçük** dış çapı, önceden monte edilmiş olan çapa bıçak setini (I) gösterecek ve bıçak sırtları (4) öne doğru yönelmiş olacak şekilde yerleştirin. Çapa bıçak seti üzerindeki oklar (5) ve şanzıman gövdesindeki (2) ok (6) aynı yönü göstermelidir.
- Çapa bıçak setini (J), daha önce monte edilmiş olan çapa bıçak setine (I) yerleştirin.
- Çapa bıçak setini (J), her iki çapa bıçak seti üzerindeki delikler üst üste gelecek şekilde çevirin.

4 MH 585, MH 685

- Katlanır kopilyayı (S) deliklere sokun ve emniyet kelepçesini kapatın.

MH 560, MH 585, MH 685

- Gerekirse bitki koruma diskini takın. (⇒ 7.9)
- İkinci sayfadaki çapa bıçak seti montajını tekrarlayın.

7.9 Bitki koruma diskini monte etme



Katlanır kopilya montajı sırasında, resimde gösterilen yerleştirme yönüne ve emniyet kelepçesi seyrine tam olarak dikkat edin. Yanlış ve/veya eğik montaj durumunda katlanır kopilya kendiliğinden çözülebilir ve kaybolabilir.

- Bitki koruma diskini (L) dıştaki çapa bıçak setine takın. Bitki koruma diskini, rondela ve çapa bıçak seti üzerindeki delikler üst üste gelecek şekilde çevirin.
- Katlanır kopilyayı (S) deliklere sokun ve emniyet kelepçesini kapatın.
- İşlemi diğer taraf için de tekrarlayın.

7.10 Sürüş tahrik kolunun montajı



- Montaj uyarılarına dikkat edin. (⇒ 7.1)
- Siyah tekerlek tahriki kolunu (M), entegre civata ile (1) birlikte gidon üst parçasındaki deliğe yukarıdan geçirin.
- MH 445: Emniyet somununu (O) çevirerek takın ve 7 - 9 Nm ile sıkın. Kapağı (P) takın.
- MH 445 R, MH 560, MH 585, MH 685: Kırmızı tekerlek tahriki kolunu (N), siyah koldaki vida kırmızı koldaki entegre somuna vidalanacak şekilde konumlandırın. Kırmızı tekerlek tahriki kolunu (N) gidona doğru yukarı bastırın. Civatayı (1) yerleştirin ve 7 - 9 Nm ile sıkın.

7.11 Tahrik çekme telinin döşenmesi



- Montaj uyarılarına dikkat edin. (⇒ 7.1)
- 1 Tahrik çekme telini (ileri) (1) açın ve tutucuya (2) geçirin.
- 2 Somunları (3) 2 - 4 Nm ile sıkın.
- Tahrik çekme telini (ileri) (1) aşağıdaki şekilde yukarı doğru geçirin:
 - A Tahrik çekme telini (ileri) (1), gidon üst parçası (4) üzerine getirin.
 - B Tahrik çekme telini (ileri) (1), gidon üst parçasındaki çapraz elemanın (5) altına döşeyin.
- MH 445 R, MH 560, MH 585, MH 685: Tahrik çekme telini (Geri) (6) benzinli motorun sağ tarafında, saptırma kolunun (7) altına döşeyin. Gidondaki çekme telini tahrik çekme teli (ileri) gibi yukarı geçirin.

7.12 Tahrik çekme telinin asılması



- Montaj uyarılarına dikkat edin. (⇒ 7.1)
- Tahrik çekme teli (ileri):
 - Siyah kapaklı (2) çekme telinin nipelini (1) siyah tekerlek tahriki koluna (M) geçirin.
 - Nipel (1) kolun (4) deliğinden (3) geçirin. Bunun için gerekirse uygun bir pense kullanın.
 - Uygun bir pense ile nipeli (1) çekin ve bunu resmedildiği gibi kola (4) asın.
 - Kapağı (2) sürüş tahrik koluna (4) bastırın ve yerleşmesini sağlayın.

- **Fonksiyon kontrolü:**
Sürüş tahrik kolunu çekin. (⇒ 8.2)
Sürüş tahrik kolu kolayca geçebilmelidir.

Tahrik çekme teli (geri)

MH 445 R, MH 560, MH 585, MH 685:

- Kırmızı kapaklı çekme telinin nipelini kırmızı sürüş tahrik koluna geçirin.
- Montajın devamı, tahrik çekme telinin (ileri) montajı ile aynıdır.

7.13 Gaz telini yerleştirme ve monte etme



- Montaj uyarılarına dikkat edin. (⇒ 7.1)
- Gaz telini (1) açın ve şu şekilde yerleştirin:
A Gaz telini gidon üst parçası (2) üzerinden geçirin.
B Gaz telini, gidon üst parçasındaki çapraz elemanın (3) altına döşeyin.
- Cıvata (T) gaz teli gövdesindeki deliğe (4) yerleştirin. Cıvatası yerleştirilmiş gaz teli gövdesini içeriden gidon üst parçasına takın ve bu şekilde tutun. Emniyet somununu (U) vidalayın ve 7 - 9 Nm ile sıkın.

7.14 Çekme tellerinin gidona tespitlenmesi



- Montaj uyarılarına dikkat edin. (⇒ 7.1)
- MH 445:
Tahrik çekme telini (1) bir kablo bağı (V) ile gidon üst parçasının sağ tarafına sabitleyin.

- MH 445 R, MH 560, MH 585, MH 685:
Her iki tahrik çekme telini (1, 2) bir kablo bağı (V) ile gidon üst parçasının sağ tarafına sabitleyin.
- Gaz telini (3) bir kablo bağı (V) ile gidon üst parçasının sol tarafına sabitleyin.
- Kablo bağının düzgün yerleştiğinden emin olun. Kablo bağının fazla ucunu kesin.

7.15 Yakıt ve motor yağı



- **Cihaza zarar vermektan kaçının!**
Motoru ilk kez çalıştırmadan önce motor yağını doldurun. Motor yağını veya depoyu doldurmak için uygun bir doldurma yardımı (örn. huni) kullanın.

Motor yağı:

Kullanılması gereken motor yağı ve yağ dolum miktarı, benzinli motor kullanım kılavuzundan alınacaktır. Düzenli olarak dolum seviyesi kontrolü yapınız (bkz. benzinli motor kullanım kılavuzu). Doğru yağ seviyesini aşmayın ve bu seviyenin altına düşmeyin. Yağ deposu kapağını, benzinli motoru işleme almadan önce düzgün bir şekilde vidalayın.

Yakıt:

Öneri:
taze, iyi marka yakıtlar,
Kurşunsuz benzin.
Yakıt kalitesi verileri (oktan sayısı) benzinli motor kullanım kılavuzunda tarif edilmiştir.



8. Kullanma elemanları

8.1 Gaz ayarı kolu



Gaz ayarı kolu (1) ile benzinli motorun devir sayısı ayarlanabilir.

Başlangıç konumu:



- Gaz ayarı kolunu (1) dayanak noktasına kadar **arkaya doğru** çekin.
- Benzinli motoru çalıştırabilirsiniz. (⇒ 11.6)

Durma konumu:



- Gaz ayarı kolunu (1) dayanak noktasına kadar **öne doğru** (yerleşim kademesine dikkat edin) itin.
- Benzinli motor birkaç saniye sonra durur.

Devir sayısı ayarı:

- Benzinli motor çalışırken gaz ayarı kolunu (1) kaydırın.

Motor devir sayısı:

Hızlı



Yavaş



8.2 Sürüş tahrik kolu



Bir sürüş tahrik kolunun tetiklenmesiyle (1, 3) benzinli motor çalışırken tahrik bağlanıp ayrılabilir - tahrik mili dönmeye başlar ve/veya durur.

Siyah sürüş tahriki kolu (ileri) (1) ile motorlu çapa makinesi, yerle temas ettiğinde ve çapa bıçak seti monte edilmiş durumdayken **ileri** doğru hareket eder.

Kırmızı sürüş tahriki kolu (geri) (3) ile motorlu çapa makinesi, yerle temas ettiğinde ve çapa bıçak seti monte edilmiş durumdayken **geri** doğru hareket eder.

Sürüş tahriki kolu güvenlik nedeniyle, istem dışı çalıştırmaları engellemek için mekanik olarak kilitletir. (⇒ 9.1)

Ayrıca MH 445 R, MH 560, MH 585, MH 685 modellerinde mekanikğin korunması amacıyla aynı anda tek bir sürüş tahriki kolu, sürüş tahriki kolu (ileri) ya da sürüş tahriki kolu (geri), kullanılabilir.



Cihaza zarar vermektan kaçının!

Cihazın hasar görmesini engelleyin! Sürüş tahriki kolunu hızlı ve kısaca bastırın, yarı bastırılmış pozisyonda tutmayın – V-Kayışında aşırı aşınmayı engelleyin.

Sürüş tahriki kolunun (ileri) çekilmesi:



- **1** Kilit açma kolunu (2) sürüş tahriki kolunun (ileri) (1) dayanağına kadar bastırın ve tutun.
- **2** Sürüş tahriki kolunun (ileri) (1) dayanağına kadar hızlıca bastırın ve tutun.
- Kilit açma kolunu (2) bırakın. Tahrik takılı ve tahrik mili döner.
- **3** Tahriki ayırma: Sürüş tahriki kolunu (ileri) (1) boşta alın.

Sürüş tahriki kolunun (Geri) çekilmesi (MH 445 R, MH 560, MH 585, MH 685):



- **1** Kilit açma kolunu (4) sürüş tahriki kolunun (geri) (3) dayanağına kadar bastırın ve tutun.

- **2** Sürüş tahriki kolunun (geri) (3) dayanağına kadar hızlıca bastırın ve tutun.
- Kilit açma kolunu (4) bırakın. Tahrik takılı ve tahrik mili döner.
- **3** Tahriki ayırma: Sürüş tahriki kolunu (geri) (3) bırakın.

9. Güvenlik tesisatları

Usulüne uygun olmayan şekilde kullanılması önlenmesi ve kullanım güvenliğinin sağlanması için cihaz çok sayıda güvenlik düzeneğiyle donatılmıştır.



Yaralanma tehlikesi!

Güvenlik düzeneği çıkartılmış, irtibatlanmamış, değiştirilmiş veya hasarlı olmamalıdır. Güvenlik düzeneğinden birinde bu tür bir arıza saptanmışsa, cihaz çalıştırılmamalıdır. Yetkili servise başvurunuz; STIHL, STIHL yetkili servislerini önerir.

9.1 Sürüş tahriki kolu kilidi

Sürüş tahriki kolu güvenlik nedeniyle, istemsiz çalıştırmaya karşı mekanik olarak kilitletir.

Sürüş tahriki kolunun çekilebilmesi için önceden ilgili kilit açma koluna bastırılmalıdır. (⇒ 8.2)

9.2 Koruma tertibatları

Motorlu çapa makinesi, iş aletleri ile teması engellemek için ve hızla hareket eden cisimlere karşı koruma sağlayan koruyucu tertibatlarla donatılmıştır.

Yan emniyet çıtalari, koruyucu sac ve düzgün olarak monte edilmiş olan gidon bunlara dahildir.

10. Çalışmaya yönelik uyarılar

10.1 Kullanıcının çalışma alanı



- Kullanıcı, tüm kullanım işlemi boyunca (benzinli motor çalışırken) güvenlik amacıyla daima çalışma alanında (gri alan 1) bulunmalıdır.
- Motorlu çapa makinesi sadece tek bir kişi tarafından kullanılmalıdır, üçüncü kişiler tehlike alanından uzak tutulmalıdır. (⇒ 4.)

10.2 Cihazın çalışma pozisyonu



- Motorlu çapa makinesi sadece yerdeyken (benzinli motor yukarıda) işleme alınmalıdır. Tüm işletim süresi boyunca motorlu çapa makinesi mümkün olduğunca düz hareket ettirilmelidir ve yüksek eğimlerden ve devirmekten kaçınılmalıdır.

10.3 Çapa bıçak seti kombinasyonları



Sol ve sağ tahriki millerine her zaman eşit miktarda çapa bıçağı monte edin.

Bitki koruma diski tüm tanımlanan çapa bıçağı kombinasyonlarında monte edilebilir. Etraftaki bitkileri korur - örn. bir çiçek tarhının çapalanması sırasında.

Olası kombinasyonlar

MH 445, MH 445 R:

- 2 Çapa bıçak seti:
her bir tahrik miline tek sıralı bir çapa bıçak seti
- 4 Çapa bıçak seti:
her bir tahrik miline tek sıralı iki çapa bıçak seti

Olası kombinasyonlar

MH 560:

- 2 Çapa bıçak seti:
her bir tahrik miline çift sıralı bir çapa bıçak seti

Olası kombinasyonlar

MH 585, MH 685:

- 2 Çapa bıçak seti:
her bir tahrik miline çift sıralı bir çapa bıçak seti
- 4 Çapa bıçak seti:
her bir tahrik miline çift sıralı bir çapa bıçak seti ve tek sıralı bir çapa bıçak seti

10.4 Çalışma sırasında ideal vücut şekli



Çalışma sırasında ideal vücut şekli hızlı yorulmayı engeller.

Bunun için cihaz (Gidon yükseklik ayarı, fren mahmuzu ayarı) tüm çalışma süresi boyunca vücudun (sırtın) düz duracağı şekilde ayarlanmalıdır.

İdeal vücut şekli:

- Sırt dik
- Bacaklar düz
- Alt kollar hafifçe aşağı doğru bükülmüş

11. Cihazın çalıştırılması

11.1 Hazırlayıcı önlemler



Yaralanma tehlikesi!

"Güvenliğiniz için" (⇒ 4.)

bölümündeki güvenlik talimatlarına dikkat edin ve motorlu çapa makinesinin kumanda elemanlarını tanıyın. (⇒ 8.)

- Motor yağı seviyesini kontrol edin ve doldurun. (⇒ 7.15)

11.2 Gidon üst parçası yükseklik ayarı



Gidon üst parçasının yüksekliği ayarlanabilir.

- Taşıma aksamını açın. (⇒ 11.4)
- Bir eliniz ile gidon üst parçasını (1) tutamaktan (2) sıkıca kavrayın ve tutun.
- Diğer elinizle germe kolunu (3) arkaya doğru çekin ve bu şekilde tutun.
- Gidon üst parçasını (1) istediğiniz konuma getirin.
- Germe kolunu (3) öne doğru bastırın ve gidon üst parçasının yerine iyice yerleşmesine ve sabitlenmesine dikkat edin.
- Gerekirse taşıma aksamını kapatın. (⇒ 11.4)

11.3 Gidon yan ayarı



Gidon yanal olarak 3 farklı konumda sabitlenebilir.

- Taşıma aksamını açın. (⇒ 11.4)

- Bir eliniz ile gidon üst parçasını tutamağından sıkıca tutun.
- Germe kolunu (1) elinizle yukarı doğru çekin.
- Gidonu istediğiniz konuma getirin. Bu sırada yerleşme dişlisinin (2) üç yerleşme deliğinden (3) birinin üzerinde olmasına dikkat edin.
- Germe kolunu (1) elinizle öne doğru bastırın ve gidonu kıştırın.
- Gidonun düzgün yerleşmiş olduğundan emin olun.
- Gerekirse taşıma aksamını kapatın. (⇒ 11.4)

11.4 Taşıma aksamını açma ve kapatma



Taşıma aksamı sayesinde motorlu çapa makinesi itilerek veya çekilerek taşınabilir.



Yaralanma tehlikesi!

Taşıma aksamı çalışma pozisyonundayken (yukarı katlanmış) ve kilit açma kolu basılı durumdayken, taşıma aksamı kendiliğinden taşıma konumuna gelebilir.

Taşıma aksamını açma – taşıma konumu:

- Taşıma aksamını (1) bir elinizle hafifçe kaldırın ve bu şekilde tutun.
- Kilit açma kolunu (2) bastırın.
- Taşıma aksamını (1) dayanak noktasına kadar aşağı doğru katlayın ve kilit açma kolunu (2) bırakın. Taşıma aksamı yerine oturur ve sabitlenir.

Taşıma aksamını kapatma – çalışma pozisyonu:

- Bir elinizle taşıma aksamını (1) tutun ve hafifçe kaldırarak yerinden çıkartın.
- Kilit açma kolunu (2) bastırın ve taşıma aksamını yukarı doğru katlayın.
- Kilit açma kolunu (2) bırakın ve taşıma aksamını dayanak noktasına kadar yukarı doğru katlayın. Taşıma aksamı yerine oturur ve çalışma pozisyonuna sabitlenir.

11.5 Fren mahmuzunu ayarlama



Fren mahmuzu ile, toprağın işlenmesi sırasındaki direnç ayarlanarak ilerleme hızı düzenlenir. Daha iyi kontrol için fren mahmuzu 3 kademeye ayarlanabilir.

Fren mahmuzunu ayarlama:

- Taşıma aksamını taşıma konumunda açın. (⇒ 11.4)
Cihazın sabit ve güvenli olarak konumlandırılmış olmasına dikkat edin.
- Kilit açma pimini (1) bastırın ve bu şekilde tutun.
- Fren mahmuzunu (2) istediğiniz konuma getirin.
- Kilit açma pimini (1) bırakın ve fren mahmuzunun yerine yerleşmesine dikkat edin.

11.6 Benzinli motoru çalıştırma



- Gaz ayar kolunu başlangıç pozisyonuna ayarlayın. (⇒ 8.1)
- Marş motoru ipindeki tutamağı (1) bir elle kavrayın ve tutun.

- Marş motoru ipini (1) kompresyon direncine kadar yavaşça çekiniz. Ardından kol uzunluğuna kadar hızlıca ve tek kerede çekin. Marş motoru ipini (1) yavaşça tekrar sarılabilmesi için yavaşça geri sokun. Benzinli motor çalışana kadar işlemi tekrarlayın.

11.7 Benzinli motoru durdurma

- Benzinli motorun kapatılması için gaz ayarı kolunu durdurma pozisyonuna ayarlayın. (⇒ 8.1)
Benzinli motor kısa bir süre içinde durur.

11.8 Sürüş tahririnin (ileri) takılıp ayrılması

Sürüş tahririnin (ileri) takılması:

- Motorlu çapa makinesini benzinli motor kapalıyken kullanım alanına taşıyın. (⇒ 13.)
- Benzinli motoru çalıştırın. (⇒ 11.6)
- Motorlu çapa makinesini iki elle tutamaklarından sıkıca tutun.
- **Siyah** sürüş tahrir kolunu (ileri) bastırın ve tutun. (⇒ 8.2)
İş aletleri monte edilmiş olan tahrir mili dönmeye başlar, böylece motorlu çapa makinesi ileri doğru hareket eder.

Sürüş tahririnin (ileri) ayrılması:

- Sürüş tahrir kolunu (ileri) bırakın. (⇒ 8.2)
İş aletleri monte edilmiş olan tahrir mili durur.

11.9 Sürüş tahririnin (geri) takılıp ayrılması (MH 445 R, MH 560, MH 585, MH 685)

Motorlu çapa makineleri MH 445 R, MH 560, MH 585, MH 685 bir adet geri vites ile donatılmıştır.

Geri vites, toprak işleme sırasında motorlu çapa makinesinin sıkışması durumunda daha kolay kurtarılmasını sağlar. Geri vites çapalama için uygun değildir.



Yaralanma tehlikesi!

Yaralanma tehlikesi! Sürüş tahriri (geri) takılmadan önce kullanıcı vücudu ile gidon arasında yeterince mesafe olup olmadığı sürekli kontrol edilmelidir.

Sürüş tahririnin (geri) takılması:

- Motorlu çapa makinesini benzinli motor kapalıyken kullanım alanına taşıyın. (⇒ 13.1)
- Benzinli motoru çalıştırın. (⇒ 11.6)
- Motorlu çapa makinesini iki elle tutamaklarından sıkıca tutun.
- **Kırmızı** sürüş tahrir kolunu (geri) bastırın ve tutun. (⇒ 8.2)
İş aletleri monte edilmiş olan tahrir mili dönmeye başlar, böylece motorlu çapa makinesi geri doğru hareket eder.

Sürüş tahririnin (geri) ayrılması:

- Sürüş tahrir kolunu (geri) bırakın. (⇒ 8.2)
İş aletleri monte edilmiş olan tahrir mili durur.

11.10 Çapalama

Çapalama sırasında dönen çapa bıçak setleri yeri gevşeterek, tohum ekimi, toprağın sürülmesi veya bitki bakımına ön hazırlık sağlar.



Yaralanma tehlikesi!

Sadece ileri çapalama yapın. Üzerinden geçilmemesi gereken engellere dikkat edin (örn. kaldırımlardaki kaplama taşları).

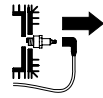
- Motorlu çapa makinesini benzinli motor kapalıyken kullanım alanına taşıyın. (⇒ 13.1)
- Taşıma aksamını kapatın. (⇒ 11.4)
- Benzinli motoru çalıştırın. (⇒ 11.6)
- Motorlu çapa makinesini iki elle tutamaklardan sıkıca tutun ve güvenli duruşa geçin - Kullanıcının çalışma alanına dikkat edin. (⇒ 10.1)
- Sürüş tahrik kolunu (ileri) çekin ve tutun. (⇒ 11.8)
Çapa bıçak setleri dönmeye başlar ve çapalama işlemine başlanabilir.
- Çalışmadan sonra sürüş tahriğini ayırın (⇒ 11.8), motoru durdurun (⇒ 11.7) ve cihazı temizleyin (⇒ 12.2).

12. Bakım



Yaralanma tehlikesi!

Cihazdaki tüm bakım- veya temizlik çalışmalarından önce "Güvenliğiniz için" (⇒ 4.) bölümünü, özellikle de "Bakım ve Onarımlar" (⇒ 4.7) alt bölümünü dikkatle okuyun ve güvenlik talimatlarına tam olarak uyun.



Tüm bakım- ve temizlik işlemlerinden önce buji soketini çekin!

12.1 Çapa bıçak setinin sökülmesi



Katlanır kopilya şanzıman gövdesinden sökülürse, tüm çapa ünitesi, bitki koruma diski ile birlikte tahrik milinden çekilip alınabilir. Çapa bıçak setindeki montaj çalışmaları için çapa bıçak seti montajı (⇒ 7.7), (⇒ 7.8) ve çapa bıçak seti kombinasyonları (⇒ 10.3) verilerine dikkat edin.

- Cihazın (Benzinli motor, şanzıman) tamamen soğumasını bekleyin.
- Motorlu çapa makinesini temizleme pozisyonunda tutun. (⇒ 12.2)
- Bitki koruma diskinin sökülmesi: Katlanır kopilyanın (1) emniyet kelepçesini açın ve katlanır kopilyayı çekip çıkartın. Bitki koruma diskini (2) çıkartın.

- Çapa bıçak setinin sökülmesi: Katlanır kopilyanın (3) emniyet kelepçesini açın ve katlanır kopilyayı çekip çıkartın. Çapa bıçak setini (4) komple çekip çıkartın.
- Koruyucu halkaları (5) çekin ve güvenli bir yerde saklayın - kaybetmeyin!

12.2 Cihazın temizlenmesi



Bakım aralığı:

Her kullanımdan sonra

- Tüm cihazı her kullanımdan sonra iyice temizleyin. İyi baktığınız takdirde cihazınız korunacak ve ömrü uzayacaktır.
- Cihazı temizlemeden önce tamamen soğumasını bekleyin, buji soketini çekin; şanzıman ve çapa bıçak setleri üzerindeki temizlik çalışmalarında uzun kollu kıyafet ve eldivenler kullanın.

Temizleme pozisyonu:



Cihaza zarar vermektan kaçının!

Cihazlarda hasar oluşmasından kaçının! Motorlu çapa makinesini sadece kısa bir süre için (temizleme ve bakım çalışmaları) resimdeki pozisyona getirin. Cihazı saklarken dik konumda tutun.

- Taşıma aksamını açın. (⇒ 11.4)
- Gidon üst parçasını en üst pozisyona getirin. (⇒ 11.2)
- Motorlu çapa makinesini düz ve sert bir zemin üzerine getirin.
- Gidon yere erişene kadar cihazı arkaya yatırın.

Temizliğe ilişkin uyarılar:

- Kirleri ve artan kalıntıları bir fırça ile, nemli bir bezle veya tahta bir çubukla uzaklaştırın - aşındırıcı temizleyiciler kullanmayın. STIHL, özel bir temizleyici kullanılmasını önerir (örn. STIHL özel temizleyici).
- Püskürtülen suyu asla gidona, benzinli motorun parçalarına, contalara ve yatak alanlarına yöneltmeyin. Bunun aksi bir uygulama, son derece masraflı onarımlara yol açabilir.
- **Benzinli motor:**
Benzinli motor: Benzinli motorun yeterli kadar soğuyabilmesi için soğutma kanatçığını, fan diskini, hava filtresi etrafındaki alanı, egzozu, vs. kirden temizleyin.
- **Şanzıman gövdesi, sürüş aksamı ve çapalama aleti** su sıkılarak ve/veya yüksek basınçlı temizleyici ile temizlenebilir.



Cihaza zarar vermektan kaçının!

Yüksek basınçlı temizleyiciyi kullanırken **minimum 1 m** bir mesafeyi koruyun ve suyu asla direkt olarak yatak alanlarının, tahrik milinin ve contaların üstüne tutmayın - özellikle şanzıman gövdesi ve koruyucu sac arasındaki contalara.

12.3 Benzinli motor

Bakım aralığı:

Her kullanımdan önce

Motor yağı seviyesini kontrol edin (bkz. benzinli motor kullanım kılavuzu).

Ekteki benzinli motor kullanım kılavuzunda yer alan kullanım ve bakım uyarılarına dikkat ediniz.

12.4 Bakım zamanı



Cihaza zarar vermektan kaçının!

Sanzumandaki ayar ve bakım çalışması özellikle yetkili servis tarafından yapılmalıdır.

Yetkili bayi/servis tarafından yapılan bakım:

Özel kullanımda, yıllık

Motorlu çapa makinesi senede bir kez bir yetkili bayi/servis tarafından kontrol edilmelidir. STIHL, STIHL-yetkili bayilerini/servislerini önermektedir.

Kullanıcı tarafından yapılan bakım:

- **Her çalıştırmadan önce**
Motor yağı seviyesini kontrol edin (bkz. benzinli motor kullanım kılavuzu)
- **Her kullanımdan sonra**
Cihazı temizleyin. (⇒ 12.2)

12.5 Saklama ve uzun süreli mola (kış molası)



Motorlu çapa makinesini normal konumda (taşıma aksamı açıkken) depolayın. Depolama sırasında yer tasarrufu sağlamak için gidonu resimde gösterilen şekilde arkaya doğru katlayın.



Devrilme tehlikesi!

Çapa bıçak seti sağlam durmadığında motorlu çapa makinesi öne doğru devrilebilir. Bu nedenle motorlu çapa makinesinin her zaman sabit durduğundan emin olun.

Gerekirse, ağırlığı azaltmak için çapa bıçak setini hafifçe döndürün. Alternatif olarak, motorlu çapa makinesi depolama sırasında taşıma kolu bölümünden desteklenebilir.

Cihazı kuru, kapalı ve tozlanma olmayan bir alanda muhafaza edin. Cihazın çocukların erişemeyeceği yerlerde muhafaza edilmesini sağlayın.

Olası arızalar, makine saklanmadan önce giderilmelidir. Cihaz daima çalışmaya hazır bir durumda bulunmalıdır. Tüm somunları, pimleri ve civataları iyice sıkın, cihazdaki okunamayan tehlike ve uyarı talimatlarını değiştirin ve tüm makede aşınma ve hasar olup olmadığını kontrol edin. Aşınmış ve hasarlı parçaları değiştirin.

Cihaz uzun süre kullanılmayacaksa (kış molası) ayrıca aşağıdaki noktaları da dikkate alın:

- Cihazın tüm dış parçalarını özenle temizleyin.
- Yakıt deposunu ve karbüratörü boşaltın.
- Tüm hareketli parçaları iyice yağlayın ve/veya gresleyin.
- Bujiyi sökün (bkz. benzinli motor kullanım kılavuzu) ve buji deliğinden benzinli motora yakl. 3 cm³ motor yağı doldurun. Benzinli motoru birkaç kez bujisiz çalıştırın (marş motoru ipini çekerek).



Yangın tehlikesi!

Tutuşma tehlikesi nedeniyle buji soketini buji deliğinden uzak tutun.

- Bujiyi yeniden vidalayın (bkz. Benzinli motor kullanım kılavuzu).
- Yağ değişimini gerçekleştirin (bkz. Benzinli motor kullanım kılavuzu).
- Benzinli motoru örtün ve cihazı normal konumda saklayın.

13. Nakliye

13.1 Motorlu çapa makinesini taşıma



Yaralanma tehlikesi!

"Güvenliğiniz için" (⇒ 4.) bölümündeki ve özellikle "Taşıma" (⇒ 4.4) kısmındaki güvenlik talimatlarını dikkate alın. Benzinli motorun taşınması işleminden önce motoru durdurun, buji soketini çekin ve uygun güvenlik giysilerini (iş ayakkabıları, iş eldivenleri, elleri ve bacakları kapatan bir tulum) giyin. **Ağırlığa dikkat edin!** (⇒ 18.)

1 Motorlu çapa makinesini çekme veya itme:

- Fren mahmuzunu en yüksek konuma getirin. (⇒ 11.5)
- Taşıma aksamını açın. (⇒ 11.4)
- Motorlu çapa makinesini her iki tutamağından (1) sıkıca tutun ve cihaz taşıma tekerleklerinin üzerinde duruncaya kadar arkaya doğru yatırın.

- Motorlu çapa makinesini yavaşça (yürüme hızında) çekin veya itin. Kaygan ve düz zeminlerde cihaz itilmeli, düzensiz zeminlerde tercihen çekilmelidir.



Yaralanma tehlikesi!

Cihazın ağırlığı nedeniyle özellikle basamaklarda, merdivenlerde, eğimli rampalarda ve diğer yüksekliklerde çok dikkatli olunmalıdır.

Cihaz üzerindeki kontrolün yitirilmesi durumunda kullanıcının da cihazın altında ezilmemesi için kullanıcı her zaman cihazın üst kısmında bulunmalıdır – yani basamaklarda ve eğimlerde cihaz aşağıya itilmeli veya yukarıya çekilmelidir. Cihazı maksimum 2 ila 3 basamak yukarıdan itin ve/veya çekin. Daha fazla basamak varsa, motorlu çapa makinesi daima ikinci bir kişinin yardımıyla taşınmalıdır.

2 Motorlu çapa makinesini kaldırma veya taşıma:

- Gidon üst parçasının düzgün yerleşmiş olduğundan emin olun.
- Motorlu çapa makinesini en az iki kişi kaldırın ve/veya taşıyın ve çapa bıçakları seti ile aranızda her zaman yeterli mesafe bıraktığınızdan emin olun. **Tutma noktaları:** Tutamaklar (1) ve taşıma kolu (2)

3 Motorlu çapa makinesini bir yükleme yüzeyi üzerinde taşıma:

- Motorlu çapa makinesini daima **dik** konumda, taşıma aksamı ve çapa bıçak setleri üzerinde taşıyın. Cihazı asla yan yatırmayın.

- Güvenli bir duruş için taşıma aksamını açın (⇒ 11.4) ve çapa bıçak setini monte edin (⇒ 7.7), (⇒ 7.8).
- Motorlu çapa makinesini kaymaya karşı emniyete alın ve iperle ve/veya kemerlerle yükleme yüzeyine tespitleyin.

Bağlama noktaları:

Taşıma aksamı (3) aksı ve çapa bıçak seti (4) aksı.

14. Çevre koruma



Ambalajlar, cihaz ve aksesuar geri dönüşümlü malzemeden üretilmiştir ve buna uygun şekilde imha edilmelidir.

Malzeme artıklarının ayrıştırılarak çevre koruma kurallarına uygun şekilde imha edilmesi, yeniden değerlendirilebilir maddelerin tekrar kullanılmasını sağlayacaktır. Bu nedenle, normal kullanım süresi dolduğunda cihaz tekrar değerlendirme merkezlerine bırakılmalıdır.

14.1 İmha

Eski yağ (motor yağı, şanzıman yağı) ve yakıt gibi atıklar daima kurallara uygun şekilde imha edilmelidir.

Benzinli motoru imha etmeden önce kullanılmayacak hale getirin. Bunun için özellikle buji kablosunu sökün, depoyu ve motor yağını boşaltın.

Çapa bıçak seti tarafından yaralanma tehlikesi!

Motorlu çapa makinesini kullanılmadığı durumlarda da asla gözetimsiz bırakmayın. Cihaz ve çapa bıçak setinin çocukların erişemeyeceği yerlerde muhafaza edilmesini sağlayın.

15. Aşınmanın en aza indirgenmesi ve hasar oluşumunun önlenmesi

Ürün grubunun rutin bakımı ve günlük bakımına yönelik önemli uyarılar

Benzinli motorlu çapa makinesi (STIHL MH)

Kullanım kılavuzundaki özellikle güvenlik, kullanım ve bakım ile ilgili talimatlara dikkat edilmemesi sonucunda ya da izin verilmeyen montaj veya yedek parçalardan dolayı meydana gelen maddi ve kişisel zararlarda STIHL Firma'sı sorumluluk kabul etmez.

STIHL cihazınızda aşırı aşınmayı ve hasar oluşumunu önlemek için lütfen aşağıdaki uyarılara kesinlikle dikkat ediniz:

1. Aşınan parçalar

STIHL cihazında bulunan bazı parçalar, kurallara uygun kullanımda dahi normal bir aşınma sergileyecektir ve kullanım türüne ve süresine göre doğru zamanda değiştirilmelidir.

Bu parçalar şunlardır :

- V-Kayışı
- Çapa bıçak seti
- Fren mahmuzu

2. Bu kullanım kılavuzundaki bilgilere uyulması

STIHL-cihazının kullanımı, bakımı ve depolanması bu kullanım kılavuzunda tarif edilen şekilde, dikkatlice yapılmalıdır.

Güvenlik, kullanım ve bakım uyarılarına uyulmamasından kaynaklanan tüm hasarlar, müşterinin sorumluluğu altındadır.

Bu koşul, özellikle aşağıdaki durumlarda geçerlidir:

- Ürünün kurallara uygun şekilde kullanılmaması.
- STIHL tarafından müsaade edilmeyen çalışma malzemelerinin kullanılması (yağlama maddeleri, benzin ve motor yağı, bkz. yanma motoru kullanım kılavuzu)
- Ürün üzerinde STIHL tarafından izin verilmemiş değişikliklerin yapılması.
- STIHL tarafından serbest bırakılmamış montaj parçalarının, montaj cihazlarının ve kesici aletlerin kullanımı,
- Ürünün spor veya yarışma gibi faaliyetlerde kullanılması.
- Ürünün arızalı parçalarla kullanılmaya devam edilmesinden kaynaklanan hasarlar.

3. Bakım çalışmaları

“Rutin bakım” bölümünde belirtilen çalışmalar, düzenli aralıklarla yapılmalıdır.

Bu bakım çalışmaları kullanıcının kendisi tarafından yapılamıyorsa, bir uzman bayi bu işle görevlendirilmelidir.

STIHL, bakım ve onarım çalışmalarının sadece STIHL yetkili servislerinde yapılmasını önerir.

STIHL yetkili servislerine düzenli olarak eğitim verilmekte ve teknik bilgi sağlanmaktadır.

Bu çalışmaların ihmal edilmesi durumunda, müşterinin sorumluluğu altında olacak hasarlar meydana gelebilir.

Bu hasarlar aşağıdaki gibidir:

- Kurallara aykırı depolamadan kaynaklanan aşınma veya diğer hasarlar.
- Kalitesi düşük yedek parçaların kullanımı sebebiyle cihazda oluşan hasarlar.
- Zamanında yapılmamış veya yetersiz ölçüde yapılmış bakımdan veya yetkili servislerde yapılmamış bakım ve tamir işlemlerinden kaynaklanan hasarlar.

16. Sık kullanılan yedek parçalar

Katlanır kopilya (Çapa bıçak setleri):
9396 021 3785

MH 445, MH 445 R

Komple çapa ünitesi, iç sol:
6241 710 0200

Komple çapa ünitesi, iç sağ:
6241 710 0205

Komple çapa ünitesi, dış sol:
6241 710 0210

Komple çapa ünitesi, dış sağ:
6241 710 0215

MH 560, MH 585, MH 685

Komple çapa ünitesi, iç sol:
6241 710 0220

Komple çapa ünitesi, iç sağ:
6241 710 0225

MH 585, MH 685

Komple çapa ünitesi, dış sol:
6242 710 0210

Komple çapa ünitesi, dış sağ:
6242 710 0215

17. EU Uygunluk Beyanı

17.1 Motorlu çapa makinesi STIHL MH 445.0, MH 445.0 R, MH 560.0, MH 585.0, MH 685.0

STIHL Tirol GmbH
Hans Peter Stihl-Straße 5
6336 Langkampfen
Avusturya

tek sorumluluğuna sahibiz

- Yapı türü: Motorlu çapa makinesi
- Fabrika markası: STIHL
- Tip: Motorlu çapa makinesi 445.0,
MH 445.0 R, MH 560.0, MH 585.0,
MH 685.0
- Seri numarası: 6241

2000/14/EC, 2006/42/EC, 2014/30/EU ve
2011/65/EU sayılı direktiflerin ilgili
hükümlerine uygundur ve aşağıdaki
normların üretim tarihinde geçerli olan
versiyonlarına uygun olarak geliştirilmiş ve
üretimiştir: EN 709 ve EN 14982 (şayet
uygulanabilirse).

İlgili onaylanmış kuruluşun adı ve adresi:
TÜV Rheinland LGA Products GmbH
Tillystraße 2
D-90431 Nürnberg

Ölçülen ve garanti edilen gürültü
seviyesinin elde edilmesi için 2000/14/EC,
Ek VIII direktifi uyarınca hareket edilmiştir.

MH 445.0, MH 445.0 R

- Ölçülen gürültü seviyesi: 92 dB(A)
- Garanti edilen gürültü seviyesi: 93
dB(A)

MH 560.0, MH 585.0

- Ölçülen gürültü seviyesi: 91,3 dB(A)
- Garanti edilen gürültü seviyesi: 93
dB(A)

MH 685.0

- Ölçülen gürültü seviyesi: 92,4 dB(A)
- Garanti edilen gürültü seviyesi: 93
dB(A)

Teknik dokümanlar STIHL Tirol GmbH
firmasının ürün lisansında muhafaza edilir.

Üretim yılı ve makine numarası motorlu
çapa makinesinde yer almaktadır.

Langkampfen, 02.11.2020

STIHL Tirol GmbH
vekaleten



Matthias Fleischer, Araştırma ve Ürün
Geliştirme Başkanı

vekaleten



Sven Zimmermann, Kalite Başkanı

17.2 STIHL Yönetim merkezi adresi

ANDREAS STIHL AG & Co. KG
Postfach 1771
D-71301 Waiblingen

17.3 STIHL Dağıtım şirketleri adresleri

ALMANYA

STIHL Vertriebszentrale AG & Co. KG
Robert-Bosch-Straße 13
64807 Dieburg
Telefon: +49 6071 3055358

AVUSTURYA

STIHL Ges.m.b.H.
Fachmarktstraße 7
2334 Vösendorf
Telefon: +43 1 86596370

İSVİÇRE

STIHL Vertriebs AG
Isenrietstraße 4
8617 Mönchaltorf
Telefon: +41 44 9493030

ÇEK CUMHURİYETİ

Andreas STIHL, spol. s r.o.
Chrlická 753
664 42 Modřice

17.4 STIHL İthalatçılar adresleri

BOSNA HERSEK

UNIKOMERC d. o. o.
Bišće polje bb
88000 Mostar
Telefon: +387 36 352560
Faks: +387 36 350536

HIRVATİSTAN

UNIKOMERC - UVOZ d.o.o.

Sjedište:

Amruševa 10, 10000 Zagreb

Prodaja:

Ulica Kneza Ljudevita Posavskog 56,

10410 Velika Gorica

Telefon: +385 1 6370010

Faks: +385 1 6221569

TÜRKİYE

SADAL TARIM MAKİNALARI DIŞ

TİCARET A.Ş.

Alsancak Sokak, No:10 I-6 Özel Parsel

34956 Tuzla, İstanbul

Telefon: +90 216 394 00 40

Faks: +90 216 394 00 44

18. Teknik veriler

MH 445.0 / MH 445.0 R / MH 560.0 / MH 585.0 / MH 685.0

Seri numarası	6241
Benzinli motor, türü	4-zamanlı benzinli motor
Start mekanizması	Telle motor startı
2000/14/EC yönetmeliğine göre:	
Garanti edilen gürültü seviyesi $L_{WA,d}$	93 dB(A)

MH 445.0 / MH 445.0 R

Motor tipi	B&S Series 550 EX OHV RS
Silindir hacmi	140 ccm
Nominal hız sayısında nominal performans	2,2 - 3100 kW - Dev/dak
Yakıt deposu	0,8 l
Aksamlar	4 çapa elemanı, 2 bitki koruma diski
Çapa ünitesi çapı	30 cm

MH 445.0 / MH 445.0 R

Dönme hızı testinde çapa ünitesi çalışma devir sayısı	124 D/dak
Test dönme hızı	3100 D/dak
2006/42/EC yönetmeliğine göre:	
Çalışma mahallinde gürültü seviyesi L_{pA}	80 dB(A)
Belirsizlik K_{pA}	2 dB(A)
EN 12096 uyarınca belirtilen karakteristik titreşim değeri:	
Ölçülen değer a_{hw}	5,50 m/s ²
Belirsizlik K_{hw}	2,20 m/s ²
EN 20643 uyarınca ölçüm	
Tahrik MH 445.0	1-vites, ileri
Tahrik MH 445.0 R	1-vites, ileri 1-vites, geri
Ağırlık	36 kg / 37 kg

MH 560.0/ MH 585.0

Motor tipi	Kohler HD675
Silindir hacmi	149 ccm
Nominal hız sayısında nominal performans	2,3 - 3000 kW - Dev/dak
Yakıt deposu	1,4 l
Aksamlar MH 560.0	2 çapa elemanı, 2 bitki koruma diski
Aksamlar MH 585.0	4 çapa elemanı, 2 bitki koruma diski
Çapa ünitesi çapı	32 cm
Dönme hızı testinde çapa ünitesi çalışma devir sayısı	120 D/dak
Test dönme hızı	3000 D/dak
2006/42/EC yönetmeliğine göre:	

MH 560.0/ MH 585.0

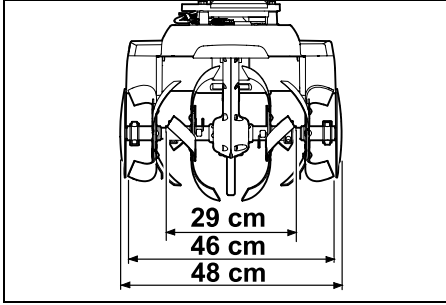
Çalışma mahallinde gürültü seviyesi L_{pA}	79 dB(A)
Belirsizlik K_{pA}	2 dB(A)
EN 12096 uyarınca belirtilen karakteristik titreşim değeri:	
Ölçülen değer a_{hw}	5,00 m/s ²
Belirsizlik K_{hw}	2,50 m/s ²
EN 20643 uyarınca ölçüm	
Tahrik	1-vites, ileri 1-vites, geri
Ağırlık	41 kg / 44 kg
MH 685.0	
Motor tipi	Kohler HD775
Silindir hacmi	173 ccm
Nominal hız sayısında nominal performans	2,9 - 3200 kW - Dev/dak
Yakıt deposu	1,4 l
Aksamlar	4 çapa elemanı, 2 bitki koruma diski
Çapa ünitesi çapı	32 cm
Dönme hızı testinde çapa ünitesi çalışma devir sayısı	128 D/dak
Test dönme hızı	3200 D/dak
2006/42/EC yönetmeliğine göre:	
Çalışma mahallinde gürültü seviyesi L_{pA}	80 dB(A)
Belirsizlik K_{pA}	2 dB(A)
EN 12096 uyarınca belirtilen karakteristik titreşim değeri:	
Ölçülen değer a_{hw}	6,00 m/s ²
Belirsizlik K_{hw}	2,40 m/s ²
EN 20643 uyarınca ölçüm	
Tahrik	1-vites, ileri 1-vites, geri

MH 685.0

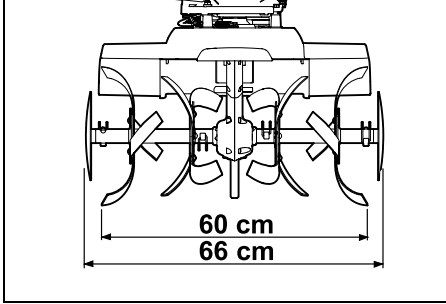
Ağırlık

46 kg

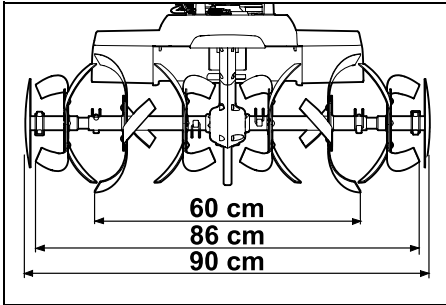
MH 445.0, MH 445.0 R:



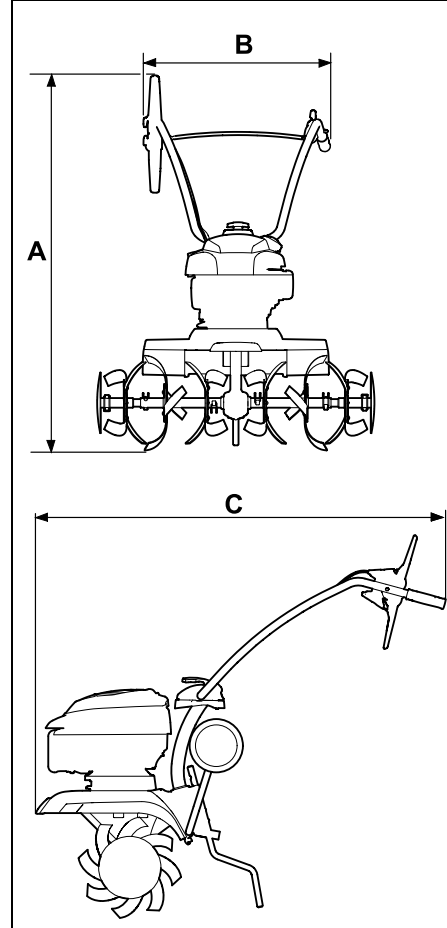
MH 560.0:



MH 585.0, MH 685.0:



**MH 445.0, MH 445.0 R, MH 560.0,
MH 585.0, MH 685.0:**



MH 445.0, MH 445.0 R:

A = 118 cm

B = 57 cm

C = 122 cm

MH 560.0, MH 585.0, MH 685.0:

A = 119 cm

B = 57 cm

C = 122 cm

18.1 REACH

REACH, kimyasalların tescil edilmesi, değerlendirilmesi ve onaylanmasını kapsayan bir AT yönetmeliğinin adıdır.

1907/2006 No.lu REACH yönetmeliğinin (EG) yerine getirilmesine dair bilgiler www.stihl.com/reach altında verilmiştir.

19. Hata arama

✘ gerekirse servise başvurunuz, STIHL, STIHL yetkili servislerini önerir.

📖 bkz. benzinli motor kullanım kılavuzu.

Arıza:

Benzinli motor çalışmıyor

Olası nedeni:

- Gaz ayar kolunu durma pozisyonuna ayarlayın
- Yakıt deposu boştur; yakıt borusu tıkanmıştır
- Depodaki yakıt kötü, kirli veya eski
- Buji soketi bujiden çekilmiş, buji kablosu sokete kötü tespitlenmiş
- Buji paslanmış veya hasarlı; elektrod mesafesi yanlış
- Hava filtresi kirlenmiş
- Benzinli motor, birkaç start denemesi nedeniyle "boğulmuş"

Giderilmesi:

- Gaz ayar kolunu başlangıç pozisyonuna ayarlayın (⇒ 8.1)
- Yakıt doldurma (⇒ 7.15); Yakıt deposunu temizleme (✘)
- Güvenilir bir marka taze yakıt (kurşunsuz benzin) kullanın (⇒ 7.15); Karbüratörü temizleyin (✘)

- Buji soketini takın (📖);
Buji kablosu ile soket arasındaki bağlantıyı kontrol edin (⚡)
- Bujiyi temizleyin/değiřtirin (📖), (⚡);
Elektrod mesafesini ayarlayın (⚡)
- Hava filtresini temizleyin/değiřtirin (⚡)
- Bujiyi sökün ve kurulaayın, gaz kolunu durma pozisyonuna itin ve buji sökölüyken marř motoru ipini birkaç kez sonuna kadar çekin (📖)

Arıza:

Benzinli motor çalışırken zorlanıyor veya benzinli motor performansı düşüyor

Olası nedeni:

- Yakıt deposunda ve karbüratörde su var, karbüratör tıkanmış
- Yakıt deposu kirlenmiş
- Hava filtresi kirlenmiş
- Buji paslanmış

Giderilmesi:

- Yakıt deposunu boşaltın; yakıt borusunu, yakıt borusunu ve karbüratörü temizleyin (⚡)
- Yakıt deposunu temizleyin (⚡)
- Hava filtresini temizleyin/değiřtirin (📖), (⚡)
- Bujiyi temizleyin/değiřtirin (📖), (⚡)

Arıza:

Benzinli motor aşırı ısınıyor

Olası nedeni:

- Soğutma kanatçıđı kirlenmiş
- Benzinli motordaki yağ seviyesi yetersiz
- Benzinli motor yüzeyi toprakla kaplı

Giderilmesi:

- Soğutma kanatçıđını temizleyiniz (⇒ 12.2)
- Motor yağđı doldurunuz (⇒ 7.15)
- Benzinli motordan toprađı temizleyin

Arıza:

Benzinli motor gürültölü çalışıyor

Olası nedeni:

- Hava filtresi kirlenmiş

Giderilmesi:

- Hava filtresini temizleyin/değiřtirin (📖), (⚡)

Arıza:

Kuvvetli duman oluşumu

Olası nedeni:

- Yağ seviyesi çok yüksek
- Hava filtresi kirlenmiş

Giderilmesi:

- Yağ dolum miktarını ayarlayın (📖)
- Hava filtresini temizleyin/değiřtirin (📖), (⚡)

Arıza:

Çalışma esnasında kuvvetli titreřimler oluşuyor

Olası nedeni:

- Motor tespiti gevşemiş

Giderilmesi:

- Motor tespit vidalarını sıkın (⚡)

Arıza:

Çalışma performansı düşük

Olası nedeni:

- Çapa bıçak seti yanlış monte edilmiş
- Çapa bıçak seti aşınmış
- Fren mahmuzu yanlış ayarlanmış

Giderilmesi:

- Çapa bıçak setini düzgün monte edin (⇒ 7.7), (⇒ 7.8)
- Çapa bıçak setini deđiřtirin (⚡)
- Fren mahmuzunu ayarlayın (⇒ 11.5)

Arıza:

Çalışma performansı yok

Olası nedeni:

- Tahrik milinde katlanır kopilya mevcut deđil

Giderilmesi:

- Tahrik milindeki çapa bıçak setinin tespitlemesini kontrol edin (⇒ 7.7), (⇒ 7.8)

Arıza:

Yüksek řanzıman gürültüsü

Olası nedeni:

- řanzımandaki yağ seviyesi yanlış

Giderilmesi:

- řanzımandaki yağ seviyesini kontrol edin (⚡)

Arıza:

Sürüş tahrik kolu çekiliyken tahrik mili dönmüyor

Olası nedeni:

- Çekme teli arızalı
- Tahrik kayışđı aşınmış

Giderilmesi:

- Çekme telini kontrol edin ve/veya deđiřtirin (⚡)
- Kayışđı deđiřtirin (⚡)

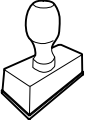
20. Servis planı

20.1 Teslimat onayı

Model: _____

Seri numarası:

tarihi:



Bir sonraki servis

tarihi:

20.2 Servis onayı



Bakım çalışmalarında bu kullanım kılavuzunu STIHL yetkili bayinize verin.

Önceden basılmış alanlara bakarak servis çalışmalarının onayını gerçekleştirecektir.

Servisin yapıldığı tarih

Bir sonraki servisin tarihi

Tisztelt vevő!

Örvendünk, hogy a STIHL mellett döntött. Termékeinket csúcsmínőségben fejlesztjük ki és gyártjuk, ügyfeleink szükségleteinek megfelelően. Így nagy megbízhatóságú termékek jönnek létre, extrém igénybevétel esetén is.

A STIHL a szerviz terén is csúcsmínőséget nyújt. Márkaszervizünk kompetens tanácsadást és betanítást, valamint átfogó műszaki segítséget nyújt.

Köszönjük bizalmát, és sok örömet kívánunk a STIHL terméke használatával.

Dr. Nikolas Stihl

**FONTOS! HASZNÁLAT ELŐTT
OLVASSA EL ÉS ŐRIZZE MEG.**

1. Tartalomjegyzék

A használati útmutatóhoz	226
Általános információk	226
Útmutató a használati útmutató olvasásához	226
A gép leírása	227
A biztonság érdekében	227
Általános információk	227
Tankolás – a benzin kezelése	228
Ruházat és felszerelés	229
A gép szállítása	229
Munkavégzés előtt	229
Munka közben	230
Karbantartás és javítások	232
Tárolás hosszabb üzemszünet esetén	233
Hulladékkezelés	233
A szimbólumok leírása	233
Szállítási terjedelem	234
A gép összeszerelése	235
Szerelési utasítások	235
A futómű felszerelése	235
A csoroszlya felszerelése	235
A tolókar felszerelése	235
A tolókar felhajtása	236
A védőszegélyek felszerelése	236
A kapacsillag felszerelése MH 445, MH 445 R	236
A kapacsillag felszerelése MH 445, MH 585, MH 685	237
A növényvédő tárcsa felszerelése	238
A kerékajtás karjának felszerelése	238
A kerékajtás huzaljának elhelyezése	238

A kerékajtás huzaljának beakasztása	238
A gázhuzal elhelyezése és felszerelése	238
A huzalok rögzítése a tolókaron	239
Üzemanyag és motorolaj	239
Kezelőelemek	239
Fordulatszám-szabályozó kar	239
A kerékajtás karja	239
Biztonsági berendezések	240
A kerékajtás karjának reteszelése	240
Biztonsági berendezések	240
Munkavégzési tanácsok	240
A kezelő munkaterülete	240
A gép munkahelyzete	240
Kapacsillag-kombinációk	240
Az ideális testtartás a munka során	241
A gép üzembe helyezése	241
Előkészítő műveletek	241
A tolókar felső részének magasságállítás	241
A tolókar oldalirányú állítása	241
A szállításra szolgáló futómű ki- és behajtása	241
A csoroszlya beállítása	242
A benzinmotor beindítása	242
A benzinmotor leállítása	242
A kerékajtás (előremenet) be- és kikapcsolása	242
A hátrameneti kerékajtás be- és kikapcsolása (MH 445 R, MH 560, MH 585, MH 685)	242
Kapálás	243
Karbantartás	243
A kapacsillagok leszerelése	243
A gép tisztítása	243
Benzinmotor	244
Szervizelési gyakoriság	244

Tárolás és üzemem kívül helyezés (téli leállítás)	244
Szállítás	245
A motoros kapálógép szállítása	245
Környezetvédelem	245
Hulladékkezelés	246
A kopás minimalizálása és a meghibásodások elkerülése	246
Általános pótalkatrészek	246
A gyártó uniós megfeleléségi nyilatkozata	247
STIHL MH 445.0, MH 445.0 R, MH 560.0, MH 585.0, MH 685.0 motoros kapálógép	247
Műszaki adatok	247
REACH	249
Hibakeresés	249
Szervizelési időpontok	251
Az átadás igazolása	251
A szervizelés igazolása	251

2. A használati útmutatóhoz

2.1 Általános információk

Ez a használati utasítás a 2006/42/EC irányelv értelmében a gyártó által kiadott **eredeti használati útmutatónak** minősül.

A STIHL folyamatosan dolgozik termépalettájának továbbfejlesztésén, ezért fenntartjuk a termékkialakítás, a technológia és a felszereltség megváltoztatásának jogát. A fentiek miatt ennek a kiadványnak az adatai és ábrái alapján semmilyen igény nem támasztható.

A jelen használati utasításban adott esetekben olyan modellek leírása is szerepelhet, amely nem minden országban kaphatók.

Ezt a használati utasítást szerzői jogok védik. Minden jog fenntartva, különös tekintettel a sokszorosítás, a fordítás és az elektronikus rendszerek segítségével történő feldolgozás jogára.

2.2 Útmutató a használati útmutató olvasásához

Az ábrák és a szövegek adott kezelési lépéseket írnak le.

A gépen található valamennyi szimbólum magyarázata megtalálható a jelen használati útmutatóban.

Az ábrák nézőpontja:

A „bal” és a „jobb” értelmezése a használati útmutatóban:
A kezelő a gép mögött áll (munkahelyzet), és a haladási irányban előre felé tekint.

Hivatkozás fejezetre:

Kapcsolódó és további magyarázatot nyújtó fejezetekre és pontokra nyíl hívja fel a figyelmet. A következő példában egy fejezetre történő utalás látható: (⇒ 4.)

Szövegrészek jelölése:

A leírt utasítások az alábbi példákban látható módon lehetnek jelölve.

A felhasználó beavatkozását igénylő kezelési lépések:

- Lazítsuk meg az 1-es csavart csavarhúzóval, húzzuk meg a 2-es kart ...

Általános felsorolások:

- a termék sportrendezvényeken vagy egyéb versenyeken való használata

Kiemelt jelentőségű szövegrészek:

A kiemelt jelentőségű szövegrészek hangsúlyozása érdekében ezeket a részeket a használati útmutatóban az alábbi szimbólumok egyikével jelöljük.



Veszély!

Figyelmeztetés balesetveszélyre és súlyos személyi sérülésekre. A leírt tevékenységet szűkséges vagy tilos elvégezni.



Figyelem!

Figyelmeztetés személyi sérülések veszélyére. A leírt tevékenység lehetséges vagy valószínű sérülésektől óv meg.



Vigyázat!

A leírt tevékenységgel könnyű sérülések, ill. anyagi károk kerülhetnek el.



Megjegyzés

A gép tökéletesebb használatára vagy a lehetséges hibás kezelés elkerülésére vonatkozó információ.

Ábrára hivatkozó szövegrészek:

A gép használatát magyarázó ábrák a használati útmutató elején található.

A használati útmutató szövegrészei mellett látható fényképezőgép-szimbólum az ábraoldalakon található megfelelő ábrára hivatkozik.



3. A gép leírása



- 1 A kerékajtás karja (előremenet)
- 2 A tolókar felső része
- 3 Rögzítőkar
- 4 Indítózsín
- 5 Benzinmotor
- 6 Gyertyapipa
- 7 Oldali védőszegély
- 8 Növényvédő tárcsa
- 9 Kapacsillagok
- 10 Hordfogantyú
- 11 Oldali védőszegély
- 12 Futómű a szállításhoz
- 13 Csoroszlya
- 14 Kioldókar (szállításra szolgáló futómű)
- 15 Kioldógomb (csoroszlya)
- 16 Fogantyú
- 17 Fordulatszám-szabályozó kar
- 18 MH 445 R, MH 560, MH 585, MH 685:
A kerékajtás karja (hátramenet)
- 19 Adattábla a gépszámmal

4. A biztonság érdekében

4.1 Általános információk



A géppel való munkavégzés közben feltétlenül tartunk be az alábbi balesetvédelmi előírásokat.



Az első üzembe helyezés előtt figyelmesen el kell olvasni a teljes használati útmutatót. A használati útmutatót a későbbi használat érdekében gondosan meg kell őrizni.

Figyelembe kell venni a benzinmotor külön használati utasításában található kezelési és karbantartási utasításokat.

Az alábbi óvintézkedések elengedhetetlenek a személyi biztonság érdekében, azonban a felsorolás nem teljes körű. A gépet mindig előrelátóan, felelősségteljesen kell üzemeltetni, és szem előtt kell tartani, hogy a felhasználó felelős a más személyeket ért balesetekért vagy azok tulajdonának károsodásáért.

Ismerkedjünk meg a gép kezelőelemeivel, az állítható alkatrészekkel és a gép megfelelő használatával. A kezelőnek különösen azzal kell tisztában lennie, hogyan lehet a gép meghajtott eszközeit és benzinmotorját gyorsan megállítani.

A gépet csak olyan személyek használhatják, akik elolvasták a használati utasítást, és értenek a gép kezeléséhez. Az első üzembe helyezés előtt a felhasználónak törekednie kell arra, hogy szakszerű és gyakorlati eligazításban részesüljön. Az eladónak vagy más szakembernek el kell magyaráznia a felhasználónak, hogyan használható a gép biztonságosan.

Az eligazítás során különösen arra kell felhívni a figyelmét a felhasználónak, hogy a géppel végzett munkához fokozott óvatosság és koncentráció szükséges.

A kockázatok a gép előírás szerű használata esetén sem küszöbölhetők ki teljesen.



Fulladás miatti életveszély!

A csomagolóanyaggal játszó gyermekeket fulladásveszély fenyegeti. A csomagolóanyagot mindig tartsuk távol a gyermekektől.

A gépet – ideértve valamennyi kiegészítő berendezését – csak olyan személyeknek szabad tovább-, ill. kölcsönadni, akik alapvetően ismerik e géptípust és kezelését. A használati utasítás a géphez tartozik, ezért mindig a géppel együtt kell továbbadni.

A gépet csak kipihenten, jó szellemi és fizikai kondícióban szabad használni. Egészségügyi panaszok esetén javasolt az orvos megkérdezése arról, lehetséges-e a géppel történő munkavégzés. A reakcióképességet befolyásoló gyógyszerek szedése, alkohol, illetve kábítószer fogyasztása után tilos a géppel dolgozni.

Győződjön meg arról, hogy a felhasználó fizikailag, érzékszervileg és mentálisan képes működtetni, valamint használni a gépet. Ha a felhasználó fizikailag, érzékszervileg vagy mentálisan akadályoztatott, akkor csak felelős személy felügyelete vagy irányítása alatt dolgozhat vele.

Győződjön meg arról, hogy a felhasználó nagykorú, vagy az adott ország szabályozásai értelmében felügyelettel szakmai képzésben vesz részt.

Figyelem – balesetveszély!

A motoros kapálógépet csak olyan talajművelési munkákhoz szabad használni, amelyek növények vetésére, megmunkálására vagy ápolására szolgálnak. A gépet csak a használati utasításban foglaltak szerint szabad használni – csak a rendeltetési célra! Ettől

eltérő alkalmazás nem megengedett, mert veszélyes lehet, és sérülésekhez vagy a gép károsodásához vezethet.

A felhasználó testi épségének veszélyeztetése miatt a motoros kapálógépet nem szabad az alábbiakra használni (nem teljes körű felsorolás):

- tetőkerteken és virágládákban végzett munkákhoz,
- fa- és sövénynyesedék aprítására.

A géppel tilos tárgyakat, állatokat vagy személyeket – különösen gyerekeket – szállítani.

Biztonsági okokból a STIHL által jóváhagyott tartozékok szakszerű felszerelésén kívül a gép minden módosítása tilos, és a garancia megszűnéséhez vezet. Az engedélyezett tartozékokról a STIHL szakkereskedők szolgálnak információkkal.

Különösen tilos a gépen a teljesítménynek vagy a benzinmotor, ill. a villanymotor fordulatszámának módosítására irányuló bármilyen beavatkozást végezni.

Közterületen, parkokban, sportpályákon, út mentén, mező- és erdőgazdasági üzemekben történő használat során különös óvatosság szükséges.



Figyelem! A fellépő rezgések veszélyeztethetik az egészséget! A rezgések miatti túlzott terhelés keringési vagy idegrendszeri károkat okozhat, különösen keringési problémákkal rendelkező személyek esetén. Forduljon orvoshoz, amennyiben olyan tünetek jelentkeznek, amelyeket a rezgési terhelés válthatott ki.

Ilyen – főként az ujjakban, a kezekben vagy a csuklókon jelentkező – tünetek lehetnek többek között például az alábbiak:

- érzéketlenség,
- fájdalomérzet,
- izomgyengeség,
- bőrelszíneződés,
- kellemetlen bizsergés.

Használat közben erősen, azonban ne görcsösen tartsuk a tolókart két kézzel, az erre szolgáló helyeken.

Az üzemidőt úgy tervezzük meg, hogy elkerülhető legyen a hosszabb időtartamú nagyfokú terhelés.

A motoros kapálógép használata során tervezzünk be munkaszüneteket, és kerüljük a gép hosszú ideig tartó használatát, mert a hosszan tartó rezgések ártanak az egészségnek.

4.2 Tankolás – a benzin kezelése



Életveszély!

A benzin mérgező és rendkívül gyúlékony.

Benzin csak arra alkalmas és bevizsgált tartályokban (kannákban) tárolható. A benzintartályok sapkáját mindig szabályszerűen be kell csavarni és erősen meg kell húzni. A sérült zárósapkákat biztonsági okokból ki kell cserélni.

Ne használjunk italos palackokat vagy hasonlókat üzemanyagok hulladékkezelésére vagy tárolására. A palack arra indíthat esetleg valakit – különösen gyerekeket –, hogy igyon belőle.



Tartsuk távol a benzint szikrától, nyílt lángtól, állandó lángtól, hőforrásoktól és egyéb gyújtóforrásoktól. Tilos a dohányzás!

Az üzemanyag töltését csak a szabadban végezzük, és közben ne dohányozzunk.

Az üzemanyag betöltése előtt állítsuk le, és hagyjuk lehűlni a benzinmotort.

A benzint a benzinmotor indítása előtt kell betölteni. Amíg a benzinmotor jár, vagy a gép forró, nem szabad kinyitni a tanksapkát, sem benzint betölteni.

Ne töltsük túl az üzemanyagtartályt!

Soha ne töltsük fel az üzemanyagtartályt a töltőcsconk alsó pereme feletti szintig, hogy az üzemanyagnak elegendő helye legyen a táguláshoz.

Vegyük figyelembe a benzinmotor használati utasításában leírtakat is.



Ha melléfolyt az üzemanyag, ne indítsuk el a benzinmotort, amíg nem tisztítottuk meg a benzinnel szennyezett felületet. Nem szabad indítási (gyújtási) kísérletet végezni, amíg a benzingőzök el nem párologtak (szárazra törlés).

A kiömlött üzemanyagot mindig fel kell törölni.

A benzinnel szennyezett ruhadarabokat le kell cserélni.

Soha ne legyen benzin a gép üzemanyagtartályában, ha a gépet épületen belül tároljuk. A keletkezett benzingőzök nyílt láng vagy szikra hatására meggyulladhatnak.

Ha ki kell üríteni az üzemanyagtartályt, azt a szabadban végezzük.

4.3 Ruházat és felszerelés



A munka során mindig erős, nem csúszó talpú lábbelit viseljük. Soha ne dolgozzunk mezítláb vagy például szandálban.



Ezenfelül a karbantartási és a tisztítási munkák során, valamint a gép szállításakor mindig erős lábbelit kell viselni, továbbá a hosszú haját össze kell fogni és biztosítani kell (fejkendő, sapka stb.).



A géppel történő munkavégzés közben a célnak megfelelő, szorosan a testhez simuló ruházatot kell viselni, pl. kezeslábast, nem külön kabátot. A géppel végzett munka során ne viseljük sálát, nyakkendőt, ékszereket, szalagokat vagy a ruházaton zsinórokat, valamint egyéb elálló ruhadarabokat.

A forgó alkatrészek hozzáérhetnek a hajhoz, a ruházathoz vagy annak részeihez, vagy magukkal ragadhatják azokat. Ez súlyos sérülésekhez vezethet.

4.4 A gép szállítása

Az éles peremű vagy forró alkatrészek okozta sérülések elkerülése érdekében csak kesztyűben dolgozzunk.

Tilos a gépet járó benzinmotorral szállítani. Szállítás előtt kapcsoljuk ki a benzinmotort, várjunk, amíg megállnak a meghajtott eszközök, és húzzuk le a gyertyapipát.

A gépet csak lehűlt benzinmotorral, üzemanyag nélkül szabad szállítani.

Tartsuk be a „Szállítás” fejezetben foglaltakat, ahol megtalálhatók a gép megemelésével, ill. rögzítésével kapcsolatos tudnivalók. (⇒ 13.)

A gép hordozásához mindig két ember szükséges – ügyeljünk a megfogási pontokra.

Járműre helyezéshez használjunk megfelelő rakodási segédeszközt (rakodórampát, emelőszerkezetet).

Biztonsági okokból a szállítás és a rakodás során – különösen rakodórampák használata esetén – tilos túllépni a 15°-os dőlésszöveget.

A gépet és a géppel együtt szállított alkatrészeket a jármű rakfelületén megfelelően méretezett rögzítőeszközökkel (hevederek, kötelek stb.) kell biztosítani. Tilos a gépet rögzítés nélkül szállítani.

A STIHL azt javasolja, hogy a motoros kapálógépet arra alkalmas utánfutóval, ill. arra alkalmas rakfelületen szállítsuk, és ne a jármű belső terében (pl. csomagtartóban).

A gép szállításakor be kell tartani a helyi jogszabályi előírásokat, különösen a rakományok biztonságára és a tárgyak rakodófelületeken történő szállítására vonatkozó előírásokat.

4.5 Munkavégzés előtt

Biztosítani szükséges, hogy a géppel csak olyan személyek dolgozzanak, akik ismerik a használati útmutatót.

A gép üzembe helyezése előtt ellenőrizni kell az üzemanyagrendszer tömítettségét, különösen a látható alkatrészeket, pl. az üzemanyagtartályt, a tanksapkát és a tömlőcsatlakozásokat. Tömítetlenség

vagy sérülés esetén tilos beindítani a benzinmotort – **tűzveszély!**
A gépet üzembe helyezés előtt szakszervizben meg kell javíttatni.

Tartsuk szem előtt a benzinmotoros kerti gépek használati idejére (napszak) vonatkozó helyi rendeleteket.

Alaposan vizsgáljuk át a terepet, ahol a gépet használni fogjuk, és távolítsunk el minden nagyobb követ, botot, drótot, csontot és egyéb idegen tárgyat, amelyet a gép felperdíthet.

A talajban rejlő tárgyakat (öntözőberendezések, cölöpök, vízcsapok, alapok, elektromos vezetékek stb.) a géppel végzett munka előtt jól láthatóan meg kell jelölni és ki kell kerülni. Soha ne haladjunk át ezeken a tárgyakon.

A gép használata előtt ki kell cserélni a hibás, elhasználódott vagy sérült alkatrészeket. A gép olvashatatlaná vált vagy megsérült figyelmeztető és veszélyjelzéseit ki kell cserélni. A pótmaticák és minden további pótalkatrész beszerezhető a STIHL szakkereskedőknél.

A gép használata előtt ellenőrizni kell a gyertyapipa megfelelő rögzítettségét a gyújtógyertyán.

A gépet csak üzembiztos állapotban szabad használni. Üzembe helyezés előtt mindig győződjünk meg a következőkről:

- A teljes gép előírászerűen összeszerelt állapotban van.

- Kifogástalan állapotban vannak és szabályszerűen működnek a biztonsági berendezések (pl. a kerékajtás karja, a védőszegélyek, a védőborítások, a védőburkolatok, a tolókar, a védőrács). Tilos a gépet hiányzó, sérült vagy elhasználódott biztonsági berendezésekkel használni.
- A munkaeszközök (kapacsillagok), a rögzítőcsavarok és a sasszegek megvannak, nincsenek elhasználódva és nem sérültek meg (nincsenek kicsorbulva, megrepedve). Az elhasználódott vagy sérült alkatrészeket ki kell cserélni.
- Biztonságosan és megfelelően rögzített módon vannak felszerelve a munkaeszközök (kapacsillagok).
- Működnek és könnyen járnak a kerékajtás karjai.
- Megfelelően fel van csavarva a tanksapka.
- Kifogástalan állapotban van az üzemanyagtartály, az üzemanyag-továbbító alkatrészek és a tanksapka.
- Megfelelően be van csavarva az olajleeresztő csavar.
- Teljes körűen megvannak és előírászerűen fel vannak szerelve a gépre a felhasznált tartozékok. A géphez mellékelte minden alkatrészt be kell építeni, ill. fel kell használni.

El kell végezni minden szükséges munkálatot, illetve szakszervizbe kell vinni a gépet. A STIHL erre a célra a STIHL szakszervizet ajánlja.

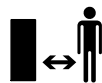
A bal és jobb oldali védőszegély az adott munkaszélességhez igazodik, ezért mindig szabályszerűen fel kell szerelni azokat. Amennyiben az MH 445 és MH 445 R modellek esetén további

kapacsillagokkal (STIHL tartozékok) növelik a munkaszélességet, fel kell szerelni a tartozékhoz mellékelte nagyobb méretű védőszegélyeket is.

A gépet a szállításra szolgáló kerekek segítségével kell a megművelendő területre tolni vagy húzni.

Üzembe helyezés előtt el kell távolítani a gépre helyezett minden tárgyat (szerszámok, törőrongyok stb.).

4.6 Munka közben



Tartsunk távol másokat a veszélyes területtől! Soha ne végezzünk munkát, ha mások – főleg gyerekek – vagy állatok tartózkodnak a veszélyes területen.

Figyelem! – A gép működés közben tárgyakat – földet, köveket stb. – perdít fel, ill. oldalirányba.

A gépet csak egyetlen személy kezelheti. Amíg a benzínmotor jár, addig a kezelőnek a munkaterületen kell tartózkodnia. (⇒ 10.1)

A gépet működés közben soha nem szabad a szállító fogantyúnál, a védőlemeznél vagy a fogantyúkon kívül a gép más alkatrészeinél fogva megemelni, tolni vagy húzni – különösen nem másik embernek a kezelőn kívül.

Tilos a gyártó által a gépbe épített kapcsoló- és biztonsági berendezéseket eltávolítani vagy áthidalni. Különösen a kerékajtás karját nem szabad soha a tolókar felső részéhez rögzíteni (pl. odakötözéssel).



Figyelem – sérülésveszély!
Soha ne tegyük a kezünket vagy a lábunkat a forgó alkatrészekre vagy azok alá. A

tolókar által adott biztonsági távolságot mindig be kell tartani. A biztonsági távolság megfelel az előírászerűen felszerelt és kihajtott tolókar hosszának – tilos a tolókat módosítani, és a gépet soha nem szabad lehajtott tolókarral üzembe helyezni.

Soha ne rögzítsünk tárgyakat (pl. munkaruhát) a tolókarhoz.

Csak napfény vagy megfelelő mesterséges megvilágítás mellett dolgozzunk.

Tilos a géppel dolgozni esőben, viharban, illetve különösen villámcsapás veszélye esetén.

Nedves talajon a csúszásveszély miatt fokozott balesetveszély áll fenn. Ekkor különösen óvatos munkavégzés szükséges az elcsúszás megakadályozása érdekében. Lehetőség szerint kerülni kell a gép nedves talajon történő használatát.

Tilos a gépet felszerelt kapacsillagokkal aszfaltozott, járólappal stb. burkolt területen üzembe helyezni.

Fokozott elővigyázattal használjuk a gépet, ha lejtők, peremek, mélyedések vagy töltések közelében dolgozunk. Különösen figyeljünk arra, hogy megfelelő távolságot tartsunk az ilyen veszélyforrásoktól.

Füstgázok:



Mérgezés miatti életveszély!

Roszsullét, fejfájás, látászavar (pl. szűkülő látómező), hallászavar, szédülés, csökkenő koncentrálóképeség esetén a munkát azonnal be kell fejezni. Ezeket a tüneteket többek között a túl magas füstgáz-koncentráció is okozhatja.



A gép a benzinmotor beindulásakor azonnal mérgező kipufogógázokat termel. Ezek a gázok mérgező, színtelen és szagtalan szén-monoxidot, valamint egyéb káros anyagokat tartalmaznak. Benzinmotoros gépet sosem szabad zárt vagy rosszul szellőző helyiségben üzembe helyezni.

Ügyeljünk a füstgázok távozásának irányára a kipufogónál. Soha ne irányítsuk a kipufogót személyek felé.

Indítás:

A gépet óvatosan indítsuk be, „A gép üzembe helyezése” (⇒ 11.) című fejezetben foglalt utasítások szerint. Az előírások szerint történő beindítás csökkenti a sérülésveszélyt.

Sérülésveszély!

Ha az indítószinór gyorsan visszaugrik, gyorsabban a benzinmotor felé ránthatja a felhasználó kezét és karját, mint ahogy a felhasználó el tudná engedni az indítószinórt. Ez a rántás csonttörést, zúzódást és rándulást okozhat.

Ügyeljünk arra, hogy a lábunk elég távol legyen a meghajtott eszközöktől.

Tilos a gépet indításkor megdönteni.

Indításkor nem szabad a kerékajtás karjait működtetni.

Munkavégzés lejtős terepen:

Lejtős terepen mindig keresztben kell haladni, soha nem hosszanti irányban. A kezelő lejtős terepen soha nem helyezkedhet el a járó gépnél alacsonyabban, különben a gép fölötti ellenőrzés elvesztése esetén a gép áthaladhat fölötte.

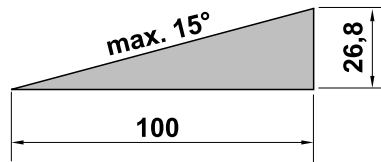
Rendkívül óvatosan járjunk el, ha lejtős terepen megváltoztatjuk a menetirányt.

Ügyeljünk arra, hogy lejtős terepen mindig stabilan álljunk, valamint kerüljük a túl meredek lejtőkön történő munkavégzést.

Lejtőn történő használatkor a gép felborulhat. A gépet biztonsági okokból nem szabad 15°-nál (26,8 %) meredekebb domboldalakon használni.

Sérülésveszély!

15° meredekség 100 cm-es vízszintes távolságra vetítve 26,8 cm-es függőleges emelkedésnek felel meg.



A benzinmotor megfelelő kenésének biztosítása érdekében a gép emelkedőn történő használatkor figyelembe kell venni a benzinmotor mellékelt használati utasításában foglaltakat is.

Munkavégzés:



Sérülésveszély!

Soha ne tegyük kezünket vagy lábunkat forgó alkatrészekre vagy azok alá vagy fölé.

A gépet biztonsági okokból mindig két kézzel kell irányítani – az üzemeltetés során mindkét kéznek a tolókar fogantyúján kell lennie. Soha nem szabad egy kézzel dolgozni.

A munkamélységet csak a csoroszlyára kifejtett nyomással szabályozzuk.

A gépet nehezen megmunkálható (pl. köves vagy kötött) talajon különös óvatossággal kell használni – csökkenti kell a meghajtott eszközök forgási sebességét (gázszabályozás).

Csak lépéstempóban vezessük a gépet – soha ne szaladjunk a géppel végzett munka során. A gyors haladás növeli a megbotlás, elcsúszás stb. okozta sérülések veszélyét.

Figyelem – sérülésveszély!

Legyünk különösen óvatosak, valamint ügyeljünk különösen a meghajtott eszközök (kapacsillagok) és a lábak közti távolságra a gép megfordítása, magunkhoz húzása vagy a hátramenet használata során.

Figyelem – botlásveszély!

A gép hátrafelé mozgatása közben ügyeljünk a kezelő személy mögötti akadályokra.

Ha a gép megakadt, állítsuk le a benzinmotort és húzzuk le a gyertyapipát. Emeljük meg és szabadítsuk ki a gépet egy másik személy segítségével.

Kapcsoljuk ki a benzinmotort,

- ha a gépet szállításhoz meg kell dönteni,
- ha a gépet a művelendő területre vagy onnan visszafelé toljuk vagy húzzuk,
- ha magára hagyjuk a gépet, ill. a gép felügyelet nélkül marad,
- üzemanyag betöltése előtt. A tankolást csak kihűlt benzinmotor mellett szabad végezni. **Tűzveszély!**
- ha a gépet nem megművelendő területre toljuk vagy húzzuk.

Kapcsoljuk ki a benzinmotort, és húzzuk le a gyertyapipát a következő esetekben:

- Megakadások megszüntetése előtt.
- A gép felemelése és hordozása előtt.
- A gép szállítása előtt.

- A gép ellenőrzése, tisztítása vagy egyéb munkák végzése (pl. a tolókar állítása, a szállítási futómű kihajtása) előtt.
- Ha a gép idegen tárgyba ütközött, vagy a gépen szokatlanul erős rezgések lépnek fel. A fenti esetekben meg kell vizsgálni a gépet, különös figyelmet fordítva a munkaeszközök (kapacillagok, kapacillag-rögzítés, hajtótengely) épségére, valamint el kell végezni a szükséges javításokat a gép újraindítása és a géppel végzett további munka előtt.



Sérülésveszély!

Az erős rezgések általában hibára utalnak.

Különösen tilos a motoros kapálógépet sérült vagy elhajlott hajtótengellyel, ill. sérült munkaeszközökkel üzembe helyezni.

Ha nem rendelkezünk a szükséges ismeretekkel, a szükséges javításokat szakemberrel végeztessük – lehetőség szerint STIHL szakszervizhez forduljunk.

4.7 Karbantartás és javítások

A tisztítási, beállítási, javítási és karbantartási munkálatok előtt végezzük el a következőket:

- állítsuk a gépet szilárd, sík talajra,
- állítsuk le és hagyjuk lehűlni a benzinmotort,
- húzzuk le a gyertyapipát.

Figyelem – sérülésveszély!

Tartsuk távol a gyertyapipát a gyújtógyertyától, nehogy véletlenül gyújtószikra keletkezzen, ami



tűzhoz vagy áramütéshez vezethet.

Ha a gyújtógyertya véletlenül hozzáér a gyertyapipához, a benzinmotor váratlanul beindulhat.

A gépet tisztítási vagy karbantartási munkákhoz csak hátrafelé szabad lefektetni. Ha a gépet az oldalára vagy előre fektetik, megsérülhet a benzinmotor és a gép egyéb alkatrészei, ami magas javítási költségeket eredményezhet.

Hagyjuk lehűlni a gépet, különösen a váltómű, a benzinmotor, a kipufogógyújtócső és a hangtompító területén végzett karbantartási munkák előtt. Ezek a területek akár 80 °C-osak is lehetnek.

Égési sérülés veszélye!

A motorolajjal történő közvetlen érintkezés veszélyes lehet, továbbá figyelni kell arra, hogy ne öntsük mellé a motorolajat. A motorolaj betöltését, ill. a motorolaj cseréjét javasolt STIHL szaktereskedőkre bízni.

Ellenőrizzük rendszeresen az egész gépet – különösen hosszabb tárolás, pl. téli szünet előtt – a kopásra és az alkatrészek épségére nézve. Biztonsági okokból azonnal ki kell cserélni az elhasználódott vagy sérült alkatrészeket, hogy a gép mindig biztonságos üzemállapotban legyen.

Tisztítás:

Munka után a teljes gépet gondosan meg kell tisztítani. (⇒ 12.2)

A lerakódott maradványokat fadarabbal lazítsuk fel. A gép alját kefével és vízzel tisztítsuk meg.

Ne használjunk agresszív tisztítószereket. Ezek megsérthetik a műanyag és fém alkatrészeket, ami hátrányosan befolyásolhatja a STIHL gép biztonságos működését.

A gép alsó oldala (valamennyi alkatrész a védőlemez alatt) nagy nyomású mosóval, ill. gőzborotvával tisztítható. Ehhez legalább 1 m-es távolságot kell betartani, és a vízsugarat soha nem szabad közvetlenül a csapágyakra és a tömítésekre irányítani – különösen nem a váltóműház és a védőlemez közötti tömítésre.

A tűzveszély elkerülése érdekében tartsuk tisztán a hűtő szellőzőnyílások, a hűtőbordák és a kipufogó területét pl. a fűtől, szalmától, mohától, falevelektől vagy a kifolyó zsirtól.

Karbantartási munkák:

Csak a jelen használati utasításban leírt karbantartási munkákat végezheti el a felhasználó, minden más munkát szakszervizben kell elvégeztetni. Ha Ön nincs a szükséges ismeretek vagy segédeszközök birtokában, **mindig** forduljon szakszervizhez.

A STIHL azt javasolja, hogy a karbantartási és javítási munkákat csak STIHL szakszervizzel végeztesse el. A STIHL szakszervizek munkatársai oktatásokon vesznek részt, és rendelkezésükre állnak a cég által kiadott műszaki információk is.

Csak olyan szerszámokat, tartozékokat és kiegészítő berendezéseket használjon, amelyeket a STIHL az adott géphez jóváhagyott vagy azokkal műszakilag egyenértékűek, ellenkező esetben személyi sérüléssel vagy a gép károsodásával járó baleset veszélye következhet be. Kérdéseivel forduljon bizalommal valamelyik szakszervizhez.

A STIHL eredeti szerszámjai, tartozékai és a pótalkatrészek optimálisan az adott berendezéshez, és a kezelő igényeihez vannak hangolva. Az eredeti STIHL

pótalkatrészek a STIHL alkatrészszámról, a STIHL feliratról és adott esetben a STIHL alkatrészszimbólumról ismerhetők fel. Kisméretű alkatrészeken szerepelhet a szimbólum magában is.

Biztonsági okokból rendszeresen ellenőrizzük az üzemanyagot továbbító alkatrészek (üzemanyag-vezeték, üzemanyagcsap, üzemanyagtartály, tanksapka, csatlakozások stb.) épségét és tömítettségét. Szükség esetén cseréltesük ki azokat szakemberrel (lehetőleg STIHL szakszervizhez forduljunk).

Mindig tartsa tisztán és olvashatóan a figyelmeztető és tájékoztató címkéket. A sérült vagy elveszett címkéket a STIHL szakkereskedőknél beszerezhető eredeti címkékre kell kicserélni. Ha valamelyik alkatrészt újra cseréli ki, ügyeljen arra, hogy az új alkatrész ugyanolyan címkével legyen ellátva.

A gép biztonságos üzemállapota érdekében valamennyi anyacsavar, csapszeg és csavar mindig erősen legyen meghúzva.

Soha ne változtassunk a benzinmotor alapbeállításán, és ne pörgessük túl a motort.

Ha a karbantartási munkákhoz alkatrészeket vagy védelmi eszközöket szereltünk le, a munka végétével haladéktalanul, előírás szerint szereljük vissza őket.

A munkaeszközök (kapacsillagok) cseréjekor figyelmet kell fordítani a kapacsillag típusára és a kapacsillag-kombinációra – csak a STIHL által engedélyezett változatok megengedettek.

4.8 Tárolás hosszabb üzemszünet esetén

Várjuk meg, amíg a benzinmotor lehűl, és csak azután vigyük a gépet zárt helyiségbe.

A gépet – üres tankkal – és az üzemanyagokat zárható, jól szellőző helyiségben tároljuk.

Gondoskodni szükséges arról, hogy a gép védve legyen illetéktelen (pl. gyermekek által történő) használatl szemben.

Soha ne legyen benzin a gép üzemanyagtartályában, ha a gépet épületen belül tároljuk. A keletkezett benzingőzők nyílt láng vagy szikra hatására meggyulladhatnak.

Ha ki kell üríteni az üzemanyagtartályt (pl. téli leállítás előtti üzemén kívül helyezés esetén), az üzemanyagtartály kiürítését csak a szabadban végezzük (pl. a benzinmotor üresre járatásával).

Tárolás (pl. téli leállítás) előtt a gépet alaposan meg kell tisztítani.

A gépet csak lehúzott gyertyapípával szabad tárolni.

A gépet csak üzembiztos állapotban szabad tárolni.

Letakarás előtt hagyjuk a gépet teljesen kihűlni.

4.9 Hulladékkezelés

A hulladékok (pl. fáradt olaj, üzemanyag, használt kenőanyag, szűrők, akkumulátorok és hasonló kopó alkatrészek) károsak lehetnek az egészségre, az állatokra és a környezetre, ezért szakszerűen ártalmatlanítani kell ezeket.

A hulladékok szakszerű ártalmatlanításával kapcsolatban forduljunk a helyi hulladék-újrahasznosító telephez vagy a szakszervizhez. A STIHL erre a célra a STIHL szakszervezetet ajánlja.

A már nem használt gép hulladékkezelését szakszerű módon kell végezni. Tartsuk be a „Környezetvédelem” fejezetben foglaltakat. (⇒ 14.)

5. A szimbólumok leírása



Figyelem! – Sérülésveszély!

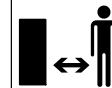
Üzembe helyezés előtt olvassuk el és tartsuk be a használati utasítást és a biztonsági előírásokat.



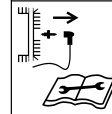
Forgó szerszámok: kezünket és lábunkat tartsuk távol a forgó szerszámoktól. A gépet csak a védőburkolatokkal üzemeltessük.

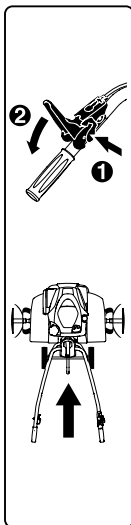


A biztonsági távolságot be kell tartani.



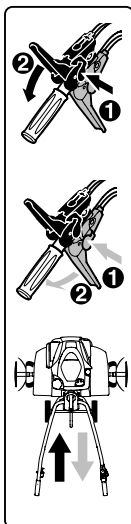
Karbantartási és tisztítási munkák előtt húzzuk le a gyertyapípát.





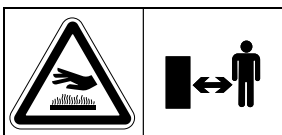
MH 445:

A kerékajtás karjának működtetése előtt biztonsági okokból először meg kell nyomni a kioldókart. Ez megakadályozza a kerékajtás karjának véletlen működtetését.



MH 445 R, MH 560, MH 585, MH 685:

A kerékajtás karjának működtetése előtt biztonsági okokból először meg kell nyomni a megfelelő kioldókart. Ez megakadályozza a kerékajtás karjának véletlen működtetését. A fekete kerékajtáskar előremenetre, a piros kerékajtáskar hátramenetre szolgál.



Égési sérülés veszélye!

Ne érjünk a forró felületekhez. A váltóműház felforrósodik.

6. Szállítási terjedelem



Jel	Megnevezés	db
A	Alapgép	1
B	Tolókar	1
C	Rögzítőkar	1
D	Futómű a szállításhoz	1
E	Csoroszlya	1
F	Bal oldali védőszegély	1
G	Jobb oldali védőszegély	1
H	MH 445, MH 445 R: Kapacsillag	4
I	MH 560, MH 585, MH 685: Kétsoros kapacsillag	2
J	MH 585, MH 685: Egysoros kapacsillag	2
K	Védőgyűrű	2
L	Növényvédő tárcsa	2
M	Kerékajtáskar (előremenet), fekete	1
N	MH 445 R, MH 560, MH 585, MH 685: Kerékajtáskar (hátramenet), piros	1
O	MH 445: Önbiztosító anyacsavar, M6	1
P	MH 445: Burkolat	1
Q	Önbiztosító anyacsavar, M6	1
R	Félgömbfejű csavar, M6	1
Jel	Megnevezés	db
S	MH 445, MH 445 R, MH 585, MH 685: Rugós biztosítócsap, 10×40 MH 560: Rugós biztosítócsap, 10×40	6
T	Félgömbfejű csavar, M8	2
U	Hatlapú anyacsavar, M8	2
V	Kábelkötöző	2
–	Használati utasítás	1
–	Használati utasítás Benzinmotor	1
–	MH 560, MH 585, MH 685: Gyertyakulcs	1

7. A gép összeszerelése

7.1 Szerelési utasítások



Sérülésveszély!

Be kell tartani „A biztonság érdekében” című fejezetben szereplő biztonsági tudnivalókat. (⇒ 4.) Különösen fontos, hogy erős kesztyűt viseljünk a gyertyapipa lehúzásakor, valamint a kapacitásokon végzett bármilyen munka során.

Tartsuk be a meghúzási nyomatékokat!

A hajtás működtető huzaljait és a gázhuzalt csak a leírtak szerint szabad elvezetni és beakasztani. A működtető huzalok nem megfelelő felszerelése (pl. nem megfelelő elvezetés vagy rossz kerékajtáskarba történő beakasztás) hibás működést okozhat.

- Minden leírt munkát tiszta, vízszintes, sík, szilárd talajon kell elvégezni.
- Be kell tartani a szerelési helyzeteket – mindig ügyeljünk arra, hogy a gép stabilan és biztonságosan álljon.

- Pontosban be kell tartani a működtető huzalok felszerelésére vonatkozó utasításokat, különösen fontos, hogy minden huzalt **kábelkötőzökkel** rögzítsünk a tolókaron annak érdekében, hogy elkerülhető legyen a gép meghibásodása (pl. a tolókar lehajtásakor) vagy az esetleges hibás működés.

A kerékajtás karjai, működtető huzalok

MH 445:

- A kerékajtás karja (fekete) a tolókar felső részén.

- Egy működtető huzal (előremenet).

MH 445 R, MH 560, MH 585, MH 685:

- A kerékajtás karja (fekete) a tolókar felső részén.

- A kerékajtás karja (piros) a tolókar alsó részén.

- Egy működtető huzal (előremenet). A huzal **fekete sapkával** rendelkezik, és a fekete kerékajtáskarba kell beakasztani.

- Egy működtető huzal (hátramenet). A huzal **piros sapkával** rendelkezik, és a piros kerékajtáskarba kell beakasztani.

7.2 A futómű felszerelése



- Felszerelési helyzet:
Fekessük le előrefelé az alapgépet (A) az ábra szerint, és stabilizálás céljából helyezzünk mindkét hajtótengely alá megfelelő faalátétet (1) (magasság: 50 - 60 mm, szélesség/hosszúság: kb. 100 mm).

- **1** Nyomjuk felfelé a rögzítópántot (2), és tartsuk ebben a helyzetben.
- **2** Vezessük be a szállításra szolgáló futóművet (D) a kioldó kar (4) csapszegén lévő kikönnyítésbe (3).
- Nyomjuk ütközésig felfelé a szállításra szolgáló futóművet (D), és tartsuk ebben a helyzetben.
- **3** Nyomjuk lefelé a rögzítópántot (2). Mindkét oldalon helyezzük be alulról a csavarokat (T).
- **4** Rögzítsük a rögzítópántot (2) a két anyacsavar (U) becsavarásával.

7.3 A csoroszlya felszerelése



- Felszerelési helyzet:
lásd „A futómű felszerelése” pontot (⇒ 7.2)
- Tartsuk benyomva a kioldógombot (1).
- Alulról vezessük be a csoroszlyát (E) az adapterbe (2), és csúsztassuk felfelé ütközésig.
- Engedjük fel a kioldógombot (1), és húzzuk lefelé a csoroszlyát (E), amíg az a helyére nem kattann.
- A felszerelést követően ellenőrizzük a csoroszlya (E) biztonságos rögzítését.

7.4 A tolókar felszerelése



- **1** Felszerelési helyzet:
lásd „A futómű felszerelése” (⇒ 7.2) című részt
- Vegyük le a gumipántot (1).
- **2** Emeljük meg a konzolt (2), és tartsuk ebben a helyzetben.

- **3** Középen vezessük be a tolókart (B) ütközésig a konzol (2) és a tolókar alsó része (3) közé, majd tartsuk ebben a helyzetben. A rugó szárának (4) az ábra szerint az állítóelem (5) mentén kell haladnia. Ellenőrizzük a rugó (4) ábra szerinti helyzetét az állítóelemben (6), szükség esetén akasszuk be a rugót.
- **4** Húzzuk meg a csavart (7).
- **5** Csavarjuk le a rögzítőkar (C) anyacsavarját (8), és vegyük le a rugóval (9) együtt.
- Felülről vezessük át a rögzítőkarba (C) épített csavart a konzolon (2) és a tolókar alsó részén (3). Illesszük a rugót (9) a rögzítőkarra (C). Egy-két fordulatnyira csavarjuk be az anyacsavart (8).



Figyelem!

A rögzítőkart (C) úgy szereljük fel, hogy azt a rögzítéshez előrefelé, a benzinmotor irányába kelljen nyomni.

- **6** Állítsuk középre a tolókar felső részét (3). (⇒ 11.3)
- Kézzel nyomjuk előrefelé a rögzítőkart (C).
- 5 Nm nyomatékkal húzzuk meg az anyacsavart (8) (nem kell ütközésig becsavarni).
- Ellenőrizzük a rögzítettséget: A rögzítőkar (C) felszerelése akkor megfelelő, ha az kézzel működtethető, és szilárdan rögzíti a tolókart az alapgéphez.

- A feszítőerő utánállítása: Ha a rögzítőkar nem működtethető kézzel vagy nem szorítja megfelelően a helyére a tolókart, lazítsuk meg a rögzítőkart, és az anyacsavar (8) be- vagy kicsavarásával állítsuk be a feszítőerőt. Ezt követően nyomjuk ismét előrefelé a rögzítőkart.



Sérülésveszély!

A gép csak akkor tolható vagy húzható, ha a tolókar az alapgéphez rögzült (a tolókar nem mozoghat a rögzítőkar rögzített állapotában).

7.5 A tolókar felhajtása



- Húzzuk felfelé a rögzítőkart (1). Hajtsuk fel a tolókar felső részét (2) a nyíl irányába.
- Nyomjuk előre ütközésig a rögzítőkart (1).
- Állítsuk be a tolókar magasságát. (⇒ 11.2)

7.6 A védőszegélyek felszerelése



- Ellenőrizzük a védőszegélyekbe (F, G) előre beszerelt csavarokat (1) – ne csavarjuk ki azokat teljesen.
- Állítsuk a motoros kapálógépet tisztítási helyzetbe. (⇒ 12.2)
- Helyezzük be a bal oldali védőszegélyt (F) a három előre beszerelt csavarral (1) a takarólemez három furatába (2).
- Toljuk előre a védőszegélyt (F), és tartsuk ebben a helyzetben.

- Csavarjuk be és húzzuk meg a csavarokat (1) 10 - 12 Nm nyomatékkal.
- Ellenőrizzük a védőszegély (F) biztonságos rögzítettségét, majd szereljük fel a jobb oldali védőszegélyt (G) hasonló módon.

7.7 A kapacsillag felszerelése MH 445, MH 445 R



- Állítsuk a motoros kapálógépet tisztítási helyzetbe. (⇒ 12.2)



Tartsuk be pontosan a szerelési útmutatót. Különösen ügyeljünk a sorrendre, és teljesen szereljük fel a védőgyűrűket, a kapacsillagokat, valamint a rugós biztosítócsapokat a leírtak szerint. A rugós biztosítócsap felszerelésekor pontosan be kell tartani a biztosítókengely ábrán látható felhelyezési irányát és helyzetét. Hibás, ill. nem megfelelő helyzetű felszerelés esetén a rugós biztosítócsap meglazulhat és elveszhet.

A megfelelő munkaeredmény érdekében a kapacsillagok élének előre (nem pedig a tolókar felé) kell nézniük – figyeljünk a nyilak jelöléseire.

A kapacsillagok azonosítása:

- Kapacsillag (1): a tengelyt befogadó rész (2) külső átmérője ugyanakkora.
- Kapacsillag (3): a tengelyt befogadó rész (4) külső átmérője eltérő.

1

- Toljuk a védőgyűrűt (K) ütközésig a hajtótengelyre (5). A védőgyűrű vágatainak a váltóműházon (6) található három rögzítőnyelvre kell pattanniuk.
- A kapacsillagot (1) úgy kell felhelyezni, hogy a **rövidebb** tengelybefogadó rész (2) a váltóműház felé, a vágóélek (7) pedig előre felé nézzenek. A kapacsillagon lévő nyilaknak (8) és a váltóműházon (6) található nyílknak (9) ugyanabba az irányba kell mutatnia.
- Toljuk a kapacsillagot (1) a hajtótengelyre (5).
- Fordítsuk el úgy a kapacsillagot (1), hogy a tengelybefogadó rész furatai és a hajtótengely furata egy vonalba essen.

2

- Vezessük keresztül a rugós biztosítócsapot (S) a furatokon, és hajtsuk le a biztosítókengyelt.

3

- A kapacsillagot (3) úgy kell felhelyezni, hogy a tengelybefogadó rész (4) **kisebb** külső átmérője a már felszerelt kapacsillag (1) felé, a vágóélek (7) pedig előre felé nézzenek. A kapacsillagon lévő nyilaknak (8) és a váltóműházon (6) található nyílknak (9) ugyanabba az irányba kell mutatnia.
- Toljuk a kapacsillagot (3) a már felszerelt kapacsillagba (1).
- Fordítsuk el úgy a kapacsillagot (3), hogy a két kapacsillag furatai egy vonalba essenek.

4

- Vezessük keresztül a rugós biztosítócsapot (S) a furatokon, és hajtsuk le a biztosítókengyelt.
- Szükség esetén szereljük fel a növényvédő tárcsát. (⇒ 7.9)
- Ismételjük meg a kapacsillag felszerelését a másik oldalon.

7.8 A kapacsillag felszerelése MH 445, MH 585, MH 685



- Állítsuk a motoros kapálógépet tisztítási helyzetbe. (⇒ 12.2)



Tartsuk be pontosan a szerelési útmutatót. Különösen ügyeljünk a sorrendre, és teljesen szereljük fel a védőgyűrűket, a kapacsillagokat, valamint a rugós biztosítócsapokat a leírtak szerint. A rugós biztosítócsap felszerelések pontosan be kell tartani a biztosítókengyel ábrán látható felhelyezési irányát és helyzetét. Hibás, ill. nem megfelelő helyzetű felszerelés esetén a rugós biztosítócsap meglazulhat és elveszhet.

A megfelelő munkaeredmény érdekében a kapacsillagok éleinek előre (nem pedig a tolókar felé) kell nézniük – figyeljünk a nyilak jelöléseire.

A kapacsillagok azonosítása:

- Kapacsillag (I):
kétsoros kapacsillag.
- Kapacsillag (J):
egysoros kapacsillag.

1 MH 560, MH 585, MH 685

- Toljuk a védőgyűrűt (K) ütközésig a hajtótengelyre (1). A védőgyűrű vágatainak a váltóműházon (2) található három rögzítőnyelvre kell pattanniuk.
- A kapacsillagot (I) úgy kell felhelyezni, hogy a **rövidebb** tengelybefogadó rész (3) a váltóműház felé, a vágóélek (4) pedig előre felé nézzenek. A kapacsillagon lévő nyilaknak (5) és a váltóműházon (2) található nyílknak (6) ugyanabba az irányba kell mutatnia.
- Toljuk a kapacsillagot (I) a hajtótengelyre (1).
- Fordítsuk el úgy a kapacsillagot (I), hogy a tengelybefogadó rész furatai és a hajtótengely furata egy vonalba essenek.

2 MH 560, MH 585, MH 685

- Vezessük keresztül a rugós biztosítócsapot (S) a furatokon, és hajtsuk le a biztosítókengyelt.

3 MH 585, MH 685

- A kapacsillagot (J) úgy kell felhelyezni, hogy a tengelybefogadó rész (7) **kisebb** külső átmérője a már felszerelt kapacsillag (I) felé, a vágóélek (4) pedig előre felé nézzenek. A kapacsillagon lévő nyilaknak (5) és a váltóműházon (2) található nyílknak (6) ugyanabba az irányba kell mutatnia.
- Toljuk a kapacsillagot (J) a már felszerelt kapacsillagba (I).
- Fordítsuk el úgy a kapacsillagot (J), hogy a két kapacsillag furatai egy vonalba essenek.

4 MH 585, MH 685

- Vezessük keresztül a rugós biztosítócsapot (S) a furatokon, és hajtsuk le a biztosítókengyelt.

MH 560, MH 585, MH 685

- Szükség esetén szereljük fel a növényvédő tárcsát. (⇒ 7.9)
- Ismételjük meg a kapacillag felszerelését a másik oldalon.

7.9 A növényvédő tárcsa felszerelése



i A rugós biztosítócsap felszereléskor pontosan meg kell figyelni a biztosítókengyel képen látható felhelyezési irányát, illetve helyzetét, és ezt be kell tartani. Hibás, ill. nem megfelelő helyzetű felszerelés esetén a rugós biztosítócsap meglazulhat és elveszhet.

- Helyezzük a növényvédő tárcsát (L) a külső kapacillagra. Forgassuk el úgy a növényvédő tárcsát, hogy a tárcsa furatai egy vonalba essenek a kapacillag furataival.
- Vezessük keresztül a rugós biztosítócsapot (S) a furatokon, és hajtsuk le a biztosítókengyelt.
- Ismételjük meg a műveletet a másik oldalon.

7.10 A kerékajtás karjának felszerelése



- Tartsuk be a szerelési utasításokat. (⇒ 7.1)

- Felülről toljuk keresztül a kerékajtás fekete karját (M) az egybeépített csavarral (1) együtt a tolókar felső részében található furaton.
- MH 445:
Csavarjuk be és húzzuk meg az önbiztosító anyacsavart (O) 7 - 9 Nm nyomatékkal. Helyezzük vissza a burkolatot (P).
- MH 445 R, MH 560, MH 585, MH 685:
Igazítsuk úgy a kerékajtás piros karját (N), hogy a fekete kar csavarja becsavarható legyen a piros karba épített anyacsavarba. Nyomjuk a kerékajtás piros karját (N) felfelé a tolókarhoz. Csavarjuk be a csavart (1), és húzzuk meg 7 - 9 Nm nyomatékkal.

7.11 A kerékajtás huzaljának elhelyezése



- Tartsuk be a szerelési utasításokat. (⇒ 7.1)
- **1** Húzzuk ki az előremeneti huzalt (1), és akasszuk be a tartóba (2).
- **2** Húzzuk meg az anyacsavart (3) 2 - 4 Nm nyomatékkal.
- Vezessük az előremeneti huzalt (1) a következők szerint felfelé:
A Vezessük el az előremeneti huzalt (1) a tolókar felső része (4) felett.
B Vezessük el az előremeneti huzalt (1) a tolókar felső részének keresztmervítője (5) alatt.
- MH 445 R, MH 560, MH 585, MH 685:
Vezessük el a kerékajtás hátrameneti huzalját (6) a benzinmotor jobb oldalán, a terelőkar alatt (7). Vezessük el felfelé a huzalt a tolókaron az előremeneti huzal mintájára.

7.12 A kerékajtás huzaljának beakasztása



- Tartsuk be a szerelési utasításokat. (⇒ 7.1)

Előremeneti huzal:

- Vezessük be a kerékajtás fekete sapkával (2) ellátott huzaljának tartógombját (1) a kerékajtás fekete karjába (M).
- Vezessük át a kerékajtás huzaljának tartógombját (1) a kar (4) nyílásán (3) keresztül. Ehhez szükség esetén használjunk megfelelő fogót.
- Megfelelő fogóval húzzuk meg a tartógombot (1), és akasszuk be az ábra szerint a karba (4).
- Pattintsuk rá a sapkát (2) a kerékajtás karjára (4).
- **A működés ellenőrzése:**
Működtessük a kerékajtás karját. (⇒ 8.2)
A kerékajtás karjának könnyen kell járnia.

Hátrameneti huzal

MH 445 R, MH 560, MH 585, MH 685:

- Vezessük be a kerékajtás piros sapkával ellátott huzaljának tartógombját a kerékajtás piros karjába.
- Az összeszerelés további lépései megegyeznek az kerékajtás előremeneti huzaljának felszerelésével.

7.13 A gázhuzal elhelyezése és felszerelése



- Tartsuk be a szerelési utasításokat. (⇒ 7.1)

- Húzzuk ki a gázhuzalt (1), és vezessük el az alábbiak szerint:
A Vezessük a gázhuzalt a tolókar felső része (2) fölött felfelé.
B Vezessük el a gázhuzalt a tolókar felső részének keresztmervítője (3) alatt.
- Helyezzük a csavart (T) a gázhuzal házának (4) furatába. Helyezzük a gázhuzal házát a behelyezett csavarral együtt belülről a tolókar felső részére, és tartsuk ebben a helyzetben. Csavarjuk fel az önbiztosító anyacsavart (U), és húzzuk meg 7 - 9 Nm nyomatékkal.

7.14 A huzalok rögzítése a tolókaron



15

- Tartsuk be a szerelési utasításokat. (⇒ 7.1)
- MH 445:
Rögzítsük a kerékhajtás huzalját (1) kábelkötözővel (V) a tolókar felső részének jobb oldalához.
- MH 445 R, MH 560, MH 585, MH 685:
Rögzítsük a kerékhajtás mindkét huzalját (1, 2) kábelkötözővel (V) a tolókar felső részének jobb oldalához.
- Rögzítsük a gázhuzalt (3) kábelkötözővel (V) a tolókar felső részének bal oldalához.
- Ellenőrizzük a kábelkötözők megfelelő rögzítettségét. Vágjuk le a kábelkötözők kiálló végeit.

7.15 Üzemanyag és motorolaj



16



Ügyeljünk a gép épségére!

Az első beindítás előtt töltsünk a gépbe motorolajat. A motorolaj betöltéséhez, ill. a tankoláshoz használjunk megfelelő segédeszközt (pl. tölcserőt).

Motorolaj:

A felhasználandó motorolaj minősége és a szükséges mennyiség a benzinmotor használati utasításában található.

Rendszeresen ellenőrizzük az olajsintet (lásd a benzinmotor használati utasítását). A túl alacsony vagy túl magas olajsint kerülendő.

Az olajspakát a benzinmotor üzembe helyezése előtt szabályszerűen vissza kell csavarni.

Üzemanyag:

Javaslat:
friss, márkás üzemanyagok, ólommentes benzin.

Az üzemanyag minőségére (oktánszám) vonatkozó adatok a benzinmotor használati utasításában találhatók.



8. Kezelőelemek

8.1 Fordulatszám-szabályozó kar

A fordulatszám-szabályozó karral (1) a benzinmotor fordulatszáma szabályozható.

Indítási helyzet:

- Ütközésig húzzuk **hátra** a fordulatszám-szabályozó kart (1).



17



I

- A benzinmotor beindítható. (⇒ 11.6)

Leállítási helyzet:

0

- Ütközésig toljuk **előre** a fordulatszám-szabályozó kart (1) (ügyeljünk arra, hogy a kar a rögzített helyzetbe pattanjon).
- A benzinmotor néhány másodpercen belül leáll.

Fordulatszám-szabályozás:

- Járó benzinmotor mellett csúsztassuk másik helyzetbe a fordulatszám-szabályozó kart (1).

Motorfordulatszám:

magas



alacsony



8.2 A kerékhajtás karja

Ha a benzinmotor jár, a kerékhajtás valamelyik karjának (1, 3) működtetésekor a hajtás be-, ill. kikapcsol – a hajtótengely ilyenkor elkezd forogni, ill. leáll.

A kapacillagok felszerelését követően a kerékhajtás **fekete** (előremeneti) karjának (1) működtetésekor a motoros kapálógép a talajhoz érve **előrefelé** mozdul.

Ugyancsak felszerelt kapacillagok mellett a kerékhajtás **piros** (hátrameneti) karjának (3) működtetésekor a motoros kapálógép a talajhoz érve **hátrafelé** mozdul.

A kerékhajtás karjai biztonsági okokból mechanikusan reteszelve vannak a véletlen bekapcsolás megakadályozása



18

19

érdekében. (⇒ 9.1)
Ezenfelül az MH 445 R, MH 560, MH 585 és MH 685 modellek esetén egy mechanikus biztonsági megoldásnak köszönhetően mindig csak az egyik kerékajtáskar nyomható le – vagy az előremeneti vagy a hátrameneti kerékajtáskar.



Ügyeljünk a gép épségére!

A kerékajtás karjait gyorsan és határozottan kell működtetni, úgy, hogy a karok ne legyenek félig lenyomott helyzetben – kerülni kell az ékszíj nagymértékű kopását.

Az előremeneti kerékajtás karjának működtetése:



- **1** Nyomjuk a kioldókart (2) ütközésig az előremeneti kerékajtás karjához (1), és tartuk ebben a helyzetben.
- **2** Nyomjuk le gyorsan az előremeneti kerékajtás karját (1) ütközésig, és tartuk ebben a helyzetben.
- Engedjük vissza a kioldókart (2). A kerékajtás ekkor bekapcsolt állapotban van, és a hajtótengely forog.
- **3** A kerékajtás kikapcsolása: Engedjük vissza az előremeneti kerékajtás karját (1).

A hátrameneti kerékajtás karjának működtetése (MH 445 R, MH 560, MH 585, MH 685):



- **1** Nyomjuk a kioldókart (4) ütközésig a hátrameneti kerékajtás karjához (3), és tartuk ebben a helyzetben.
- **2** Nyomjuk le gyorsan a hátrameneti kerékajtás karját (3) ütközésig, és tartuk ebben a helyzetben.

- Engedjük vissza a kioldókart (4). A kerékajtás ekkor bekapcsolt állapotban van, és a hajtótengely forog.
- **3** A kerékajtás kikapcsolása: Engedjük vissza a hátrameneti kerékajtás karját (3).

9. Biztonsági berendezések

A gép a biztonságos kezelés érdekében és a szakszerűtlen használat megakadályozása céljából több biztonsági berendezéssel rendelkezik.



Sérülésveszély!

A biztonsági berendezéseket tilos eltávolítani, áthidalni, módosítani vagy megrongálni. Ha valamelyik biztonsági berendezésen ilyen hibát észlelünk, akkor a gépet tilos üzembe helyezni. Forduljunk szakszervizhez, lehetőség szerint STIHL szakszervizhez.

9.1 A kerékajtás karjának reteszelése

A kerékajtás karjai biztonsági okokból – a véletlen működtetés megakadályozása érdekében – mechanikusan reteszelve vannak.

A kerékajtás karjának működtetéséhez előzőleg meg kell nyomni az adott karhoz tartozó kioldó kart. (⇒ 8.2)

9.2 Biztonsági berendezések

A motoros kapálógép olyan biztonsági berendezésekkel rendelkezik, amelyek megakadályozzák a véletlen kapcsolatot a meghajtott eszközökkel, és védik a kezelőt a felpördített tárgyaktól.

A biztonsági berendezések közé tartoznak

az oldalsó védőszegélyek, a védőlemez, valamint a szabályszerűen felszerelt tolókar.

10. Munkavégzési tanácsok

10.1 A kezelő munkaterülete



- A kezelőnek biztonsági okokból a gép teljes üzemideje alatt (járó benzinmotor mellett) mindig a munkaterületen (szürke színnel jelzett 1-es terület) kell tartózkodnia.
- A motoros kapálógépet kizárólag egy ember kezelheti, más személyeknek a veszélyes területtől távol kell tartózkodniuk. (⇒ 4.)

10.2 A gép munkahelyzete



- A motoros kapálógépet csak a földre helyezve (a benzinmotor felül) szabad üzembe helyezni. A motoros kapálógépet a teljes üzemidő alatt lehetőleg vízszintesen kell vezetni, és kerülni kell a gép erős megdöntését.

10.3 Kapacsillag-kombinációk



A bal és a jobb oldali hajtótengelyre mindig ugyanannyi kapacsillagot kell felszerelni.

A növényvédő tárcsa valamennyi tárgyalt kapacsillag-kombináció esetén felszerelhető. A tárcsa védi a környező növényeket – pl. szűk ágyásban történő kapálás során.

Lehetséges kombinációk

MH 445, MH 445 R:

- 2 kapocsillag:
egy darab egysoros kapocsillag
hajtótengelyenként
- 4 kapocsillag:
két darab egysoros kapocsillag
hajtótengelyenként

Lehetséges kombinációk

MH 560:

- 2 kapocsillag:
egy darab kétsoros kapocsillag
hajtótengelyenként

Lehetséges kombinációk

MH 585, MH 685:

- 2 kapocsillag:
egy darab kétsoros kapocsillag
hajtótengelyenként
- 4 kapocsillag:
egy darab kétsoros kapocsillag és egy
darab egysoros kapocsillag
hajtótengelyenként

10.4 Az ideális testtartás a munka során



A munka során az ideális testtartással megelőzhető a gyors elfáradás.

Ehhez a gép beállításait (a tolókar magasságállítása, a csoroszlya beállítása) úgy ajánlott elvégezni, hogy a teljes munkaidő alatt egyenes testtartás (hát) legyen felvehető.

Ideális testtartás:

- nyújtott hát
- nyújtott lábak
- az alkarok enyhén behajlítva

11. A gép üzembe helyezése

11.1 Előkészítő műveletek



Sérülésveszély!

Be kell tartani „A biztonság érdekében” fejezetben (⇒ 4.) leírt biztonsági tudnivalókat, és meg kell ismerkedni a motoros kapálógép kezelőelemeivel. (⇒ 8.)

- Ellenőrizni kell a motorolaj szintjét, és üzemanyagot kell tölteni a gépbe. (⇒ 7.15)

11.2 A tolókar felső részének magasságállítása



A tolókar felső részének magassága állítható.

- Hajtsuk ki a szállításra szolgáló futóművet. (⇒ 11.4)
- Fogjuk meg erősen egy kézzel a tolókar felső részét (1) a fogantyúnál (2), és tartsunk ellen.
- Másik kezünkkel húzzuk hátra a rögzítőkart (3), és tartsuk ebben a helyzetben.
- Állítsuk a tolókar felső részét (1) a kívánt helyzetbe.
- Nyomjuk előre felé a rögzítőkart (3), és ügyeljünk arra, hogy a tolókar felső része teljesen a helyére pattanjon és rögzüljön.
- Szükség esetén hajtsuk be a szállításra szolgáló futóművet. (⇒ 11.4)

11.3 A tolókar oldalirányú állítása



A tolókar oldalirányban 3 helyzetben rögzíthető.

- Hajtsuk ki a szállításra szolgáló futóművet. (⇒ 11.4)
- Tartsuk meg egy kézzel a tolókar felső részét a fogantyúnál.
- Húzzuk kézzel felfelé a rögzítőkart (1).
- Állítsuk a tolókart a kívánt helyzetbe. Ennek során ügyeljünk arra, hogy a rögzítőfül (2) a három rögzítési pont (3) egyikén legyen.
- Nyomjuk kézzel előre a rögzítőkart (1), és rögzítsük a tolókart.
- Ellenőrizzük a tolókar megfelelő rögzítettségét.
- Szükség esetén hajtsuk be a szállításra szolgáló futóművet. (⇒ 11.4)

11.4 A szállításra szolgáló futómű ki- és behajtása



A szállításra szolgáló futómű segítségével a motoros kapálógép tolvá húzva szállítható.



Sérülésveszély!

Ha a szállításra szolgáló futómű munkahelyzetében (felfelé hajtva) megnyomják a kioldó kart, a szállításra szolgáló futómű magától a szállítási helyzetbe mozdulhat.

A szállításra szolgáló futómű kihajtása – szállítási helyzet:

- Emeljük meg egy kézzel enyhén a szállításra szolgáló futóművet (1), és tartsuk ebben a helyzetben.
- Nyomjuk le a kioldó kart (2).

- Ütközésig hajtjuk le a szállításra szolgáló futóművet (1), és engedjük vissza a kioldó kart (2). A szállításra szolgáló futómű a helyére pattan és rögzül.

A szállításra szolgáló futómű behajtása – munkahelyzet:

- Egyik kezünkkel tartjuk meg a szállításra szolgáló futóművet (1), és kissé megemelve tehermentesítjük.
- Nyomjuk meg a kioldó kart (2), és hajtjuk fel a szállításra szolgáló futóművet.
- Engedjük vissza a kioldó kart (2), és ütközésig hajtjuk fel a szállításra szolgáló futóművet. A szállításra szolgáló futómű a helyére pattan és rögzül a munkahelyzetben.

11.5 A csoroszlya beállítása



A csoroszlyával szabályozható talajművelés közben az ellenállás és ezáltal a haladási sebesség. A jobb szabályozhatóság érdekében a csoroszlya 3 fokozatba állítható.

A csoroszlya beállítása:

- Hajtjuk ki a szállításra szolgáló futóművet szállítási helyzetbe. (⇒ 11.4) Ügyeljünk arra, hogy a gép stabilan és biztonságosan álljon.
- Tartuk benyomva a kioldógombot (1).
- Állítsuk a csoroszlyát (2) a kívánt helyzetbe.
- Engedjük vissza a kioldógombot (1), és ügyeljünk arra, hogy a csoroszlya a helyére kattanjon.

11.6 A benzinmotor beindítása



- Állítsuk a fordulatszám-szabályozó kart indítási helyzetbe. (⇒ 8.1)
- Fogjuk meg erősen egy kézzel az indítózsínór (1) fogantyúját, és tartuk ebben a helyzetben.
- Húzzuk ki lassan az indítózsínórt (1), amíg sűrítési ellenállást nem érzünk. Ezután erősen, gyorsan, egy lendülettel húzzuk ki karhossznyira. Engedjük vissza lassan az indítózsínórt (1), hogy újra fel tudjon csévélni. Ismételjük addig a műveletet, amíg a benzinmotor be nem indul.

11.7 A benzinmotor leállítása

- A benzinmotor leállításához állítsuk a fordulatszám-szabályozó kart a leállítási helyzetbe. (⇒ 8.1) A benzinmotor rövid késleállási időn belül megáll.

11.8 A kerékajtás (előremenet) be- és kikapcsolása

A kerékajtás (előremenet) bekapcsolása:

- Szállítsuk a motoros kapálógépet leállított benzinmotorral az alkalmazás helyére. (⇒ 13.)
- Indítsuk be a benzinmotort. (⇒ 11.6)
- Tartuk mindkét kézzel erősen a motoros kapálógépet a fogantyúknál fogva.

- Működtessük a kerékajtás **fekete** karját (előremenet) és tartuk így. (⇒ 8.2)

A hajtótengely a felszerelt meghajtott eszközökkel elkezd úgy forogni, hogy a motoros kapálógép előrefelé mozgásba lendül.

A kerékajtás (előremenet) kikapcsolása:

- Engedjük el a kerékajtás karját (előremenet). (⇒ 8.2) A hajtótengely a felszerelt meghajtott eszközökkel együtt megáll.

11.9 A hátrameneti kerékajtás be- és kikapcsolása (MH 445 R, MH 560, MH 585, MH 685)

Az MH 445 R, MH 560, MH 585 és MH 685 motoros kapálógép hátramenettel rendelkezik.

A hátramenet a talajművelés során kizárólag a gép könnyebb kiszabadítására szolgál, abban az esetben, ha a motoros kapálógép megakadt a talajban. A hátramenet nem használható kapáláshoz.



Sérülésveszély!

A hátrameneti kerékajtás bekapcsolása előtt ügyeljünk arra, hogy elegendő hely legyen a kezelő teste és a tolókar között.

A hátrameneti kerékajtás bekapcsolása:

- Leállított benzinmotor mellett szállítsuk a motoros kapálógépet az alkalmazás helyére. (⇒ 13.1)
- Indítsuk be a benzinmotort. (⇒ 11.6)
- Tartuk mindkét kézzel erősen a motoros kapálógépet a fogantyúknál fogva.

- Működtessük a kerékajtás **piros** (hátrameneti) karját, és tartsuk ebben a helyzetben. (⇒ 8.2)
A hajtótengely a felszerelt munkaeszközökkel elkezdi úgy forogni, hogy a motoros kapálógép hátrafelé mozgásba lendül.

A hátrameneti kerékajtás kikapcsolása:

- Engedjük vissza a hátrameneti kerékajtás karját. (⇒ 8.2)
A hajtótengely a felszerelt munkaeszközökkel együtt megáll.

11.10 Kapálás

A kapálással a talaj fellazítható a forgó kapacillagokkal, így előkészíthető növények vetésére, megmunkálására vagy gondozására.



Sérülésveszély!

Kapálást csak előre felé szabad végezni. Ügyelni kell az akadályokra (pl. járólapok), amelyek fölött nem szabad a gépet mozgatni.

- Szállítsuk a motoros kapálógépet leállított benzinmotorral az alkalmazás helyére. (⇒ 13.1)
- Hajtsuk be a szállításra szolgáló futóművet. (⇒ 11.4)
- Indítsuk be a benzinmotort. (⇒ 11.6)
- Tartsuk mindkét kézzel erősen a motoros kapálógépet a fogantyúknál fogva, és vegyünk fel stabil helyzetet – ügyeljünk a kezelő munkaterületére. (⇒ 10.1)

- Működtessük a kerékajtás karját (előremenet) és tartsuk így. (⇒ 11.8)
A kapacillagok elkezdnek forogni, a kapálási folyamat megkezdhető.
- A munka után kapcsoljuk ki a kerékajtást (⇒ 11.8), állítsuk le a motort (⇒ 11.7), és tisztítsuk meg a gépet (⇒ 12.2).

12. Karbantartás



Sérülésveszély!

A gépen végzett minden karbantartási vagy javítási munka előtt gondosan el kell olvasni a „Biztonság érdekében” fejezetben (⇒ 4.), különösen a „Karbantartás és javítások” pontban (⇒ 4.7) foglaltakat, és pontosan be kell tartani minden biztonsági utasítást.



Minden karbantartási és tisztítási munka előtt húzzuk le a gyertyapipát!

12.1 A kapacillagok leszerelése



i Ha meglazítjuk a rugós biztosítócsapot a váltóműház mellett, akkor a kapatestek a növényvédő tárcsával együtt lehúzódnak a hajtótengelyről. A kapacillagok felszerelésekor tartsuk szem előtt a „Kapacillagok felszerelése” (⇒ 7.7), (⇒ 7.8) és a „Kapacillag-kombinációk” (⇒ 10.3) fejezetben foglaltakat.

- Hagyjuk teljesen kihűlni a gépet (benzinmotor, váltóműház).

- Állítsuk a motoros kapálógépet tisztítási helyzetbe. (⇒ 12.2)
- A növényvédő tárcsák leszerelése: Hajtsuk fel a rugós biztosítócsap (1) biztosítókengyelét, és húzzuk ki a rugós biztosítócsapot. Húzzuk le a növényvédő tárcsát (2).
- A kapacillagok leszerelése: Hajtsuk fel a rugós biztosítócsap (3) biztosítókengyelét, és húzzuk ki a rugós biztosítócsapot. Húzzuk le a komplett kapacillagokat (4).
- Húzzuk le és őrizzük biztonságos helyen a védőgyűrűket (5) – ne veszítsük el őket!

12.2 A gép tisztítása



A karbantartás gyakorisága: Minden használat után

- Minden használat után alaposan tisztítsuk meg a teljes gépet. A gondos kezelés megóvjaa a gépet, és meghosszabbítja annak élettartamát.
- Hagyjuk teljesen kihűlni a gépet a tisztítás előtt, húzzuk le a gyertyapipát, és a váltóművön vagy a kapacillagokon végzett tisztítási munkák során viseljünk hosszú ujjú ruhát és erős kesztyűt.

Tisztítási helyzet:



Ügyeljünk a gép épségére!

A motoros kapálógépet csak rövid időre (tisztítási és karbantartási munkák) szabad az ábrán látható helyzetbe állítani. A gépet függőleges helyzetben kell tárolni.

- Hajtsuk ki a szállításra szolgáló futóművet. (⇒ 11.4)

- Állítsuk a tolókar felső részét a legfelső helyzetébe. (⇒ 11.2)
- Állítsuk a motoros kapálógépet szilárd, sík talajra.
- Döntsük hátra a gépet, amíg a tolókar a talajhoz nem ér.

Tisztítási tudnivalók:

- A szennyeződések és a lerakódott maradványokat kefével, nedves törlőronggyal vagy fadarabbal kell eltávolítani – ne használjunk agresszív tisztítószereket. A STIHL speciális tisztítószert használata javasolja (pl. STIHL speciális tisztítószert).
- Soha ne irányítsunk vízsugarat a tolókarra, a benzinmotor részeire, a tömítésekre és a csapágyakra. Ez költséges javításokat tehet szükségessé.
- **Benzinmotor:**
A benzinmotor megfelelő hűtése érdekében tisztítsuk meg a hűtőbordákat, a ventilátorkereket, a légszűrő környékét, a kipufogót stb. a szennyeződésektől.
- A **váltóműház**, a **futómű** és a **kapacsillagok** vízsugárral, ill. nagynyomású tisztítógéppel tisztíthatók.



Ügyeljünk a gép épségére!

Nagynyomású tisztító gép használata esetén **legalább 1 m-es** távolságot kell tartani, és a vízsugarat soha nem szabad közvetlenül a csapágyakra, a hajtótengelyre és a tömítésekre irányítani – különösen nem a váltóműház és a védőlemez közötti tömítésre.

12.3 Benzinmotor

Karbantartás gyakorisága: Minden használat előtt

Ellenőrizzük a motorolaj szintjét (lásd a benzinmotor használati utasítását).

Vegyük figyelembe a benzinmotor mellékelt használati utasításában található kezelési és karbantartási utasításokat.

12.4 Szervizelési gyakoriság



Ügyeljünk a gép épségére!

A váltómű karbantartási munkáit kizárólag szakszervizzel végeztessük el.

Karbantartás szakszervizben: magáncélú felhasználás esetén évente

A motoros kapálógép karbantartását ajánlott szakszervizzel végeztetni. A STIHL cég erre a célra a STIHL szakszervizeket ajánlja.

A felhasználó általi karbantartás:

- **Minden üzembe helyezés előtt**
Ellenőrizzük a motorolaj szintjét (lásd a benzinmotor használati utasítását).
- **Minden használat után**
Tisztítsuk meg a gépet. (⇒ 12.2)

12.5 Tárolás és üzemem kívül helyezés (téli leállítás)

A motoros kapálógépet normál helyzetben (a szállításra szolgáló futóművet kihajtva) kell tárolni. A helytakarékos tároláshoz a tolókart az ábra szerint javasolt hátrahajtani.



Borulásveszély!

A motoros kapálógép előreborulhat, ha a kapacsillagok nem megfelelő helyzetben vannak. Ezért mindig ellenőrizni kell a motoros kapálógép helyzetének stabilitását. Szükség esetén kissé el kell fordítani a kapacsillagokat a gép fejnehézségének csökkentése érdekében. Tároláskor a motoros kapálógépet a hordfogantyúnál meg is lehet támasztani.

A gépet száraz, zárt, pormentes helyiségben kell tárolni. A gépet úgy kell tárolni, hogy gyermekek ne férhessenek hozzá.

Az esetleges hibákat alapvetően a tárolás előtt javasolt megszüntetni. A gépnek mindig üzembiztos állapotban kell lennie. Minden anyacsavar, csapszeg és csavar legyen erősen meghúzva, valamint cseréljük ki az olvashatatlaná vált figyelmeztető és veszélyjelzéseket, továbbá ellenőrizzük a teljes gép kopását és sérüléseit. Az elhasználadott és sérült alkatrészeket ki kell cserélni.

Ezenkívül a gép hosszabb üzemem kívül helyezése (téli leállítás) esetén hajtjuk végre az alábbiakat is:

- Tisztítsuk meg gondosan a gép külső részeit.
- Ürítsük ki az üzemanyagtartályt és a karburátort.
- Minden mozgó alkatrészt alaposan olajozzunk, ill. zsírozzunk meg.

- Csavarjuk ki a gyújtógyertyát (lásd a benzinmotor használati útmutatóját), és töltünk be a gyertyanyíláson keresztül kb. 3 cm³ motorolajat a benzinmotorba. Fordítsuk át néhányszor a benzinmotort gyújtógyertya nélkül (húzzuk ki az indítózsínort).



Tűzveszély!

A tűzveszély miatt tartsuk távol a gyertyapipát a gyertyanyílástól.

- Csavarjuk vissza a gyújtógyertyát (lásd a benzinmotor használati útmutatóját).
- Cseréljük le az olajat (lásd a benzinmotor használati útmutatóját).
- Takarjuk le a benzinmotort, és tároljuk a gépet normál helyzetben.

13. Szállítás

13.1 A motoros kapálógép szállítása



Sérülésveszély!

Gondosan el kell olvasni és be kell tartani „A biztonság érdekében” (⇒ 4.) fejezetben, különösen a „Szállítás” (⇒ 4.4) szakaszban szereplő biztonsági figyelmeztetéseket. Szállítás előtt állítsuk le a benzinmotort, húzzuk le a gyertyapipát és vegyünk fel megfelelő védőruhát (védőkesztyűt, kesztyűt, valamint a karokat és a lábakat takaró overallt).

Vegyük figyelembe a gép tömegét! (⇒ 18.)

1 A motoros kapálógép húzása vagy tolása:

- Állítsuk a csoroszlyát a legmagasabb állásába. (⇒ 11.5)
- Hajtsuk ki a szállításra szolgáló futóművet. (⇒ 11.4)
- Fogjuk meg erősen a motoros kapálógépet mindkét fogantyúnál (1) fogva, majd döntjük hátra, amíg a gép a szállításra szolgáló kerekeken nem áll.
- A motoros kapálógépet lassan (lépésben) kell húzni vagy tolni. Sima, sík talajon javasolt a gépet tolni, egyenetlen terepen pedig inkább húzni.



Sérülésveszély!

A gép nagy tömege miatt különös óvatosság szükséges lépcsőkön, peremeknél, ferde rámpákon és egyéb szintkülönbségek esetén. A felhasználónak mindig a gépnél magasabban kell elhelyezkednie, nehogy a gép feletti ellenőrzés esetleges elvesztésekor a gép ráguruljon. Ennek megfelelően a gépet peremeknél és lejtős szakaszokon lefelé tolni, ill. felfelé húzni kell.

A gépet legfeljebb két-három lépcsőfoknyit szabad tolni, ill. húzni. Több lépcsőfok esetén a motoros kapálógépet másik személy segítségével meg kell emelni.

2 A motoros kapálógép megemelése vagy hordozása:

- Ellenőrizzük a tolókar felső részének megfelelő rögzítettségét.

- A motoros kapálógépet legalább két személynek kell megemelnie, ill. hordoznia, és mindig ügyelni kell a megfelelő távolságra a kapacsillagoktól.

Emelési pontok:

fogantyúk (1) és a hordfogantyú (2)

3 A motoros kapálógép szállítása rakfelületen:

- A motoros kapálógépet mindig **álló** helyzetben kell szállítani, a szállításra szolgáló futóművön és a kapacsillagokon. A gépet soha nem szabad oldalra fektetni.
- A stabil helyzet érdekében ki kell hajtani a szállításra szolgáló futóművet (⇒ 11.4), és fel kell szerelni a kapacsillagokat (⇒ 7.7), (⇒ 7.8).

- A motoros kapálógépet biztosítani kell megcsúszás ellen, és kötelekkel, ill. hevederekkel kell rögzíteni a rakfelületen.

Rögzítési pontok:

a szállításra szolgáló futómű tengelye (3) és a kapacsillagok tengelye (4).

14. Környezetvédelem



A csomagolások, a gép és a tartozékok újrahasznosítható anyagokból készültek, így ennek megfelelően kell ártalmatlanításukról gondoskodni.

A hulladékok szelektív, környezetbarát gyűjtése elősegíti a nyersanyagok újrahasznosíthatóságát. Ezért a szokásos használati időtartam leteltével a gépet a hulladékhasznosító gyűjtőhelyre kell szállítani.

14.1 Hulladékkezelés

A fáradt olaj (motorolaj, váltóolaj) és az üzemanyagok hulladékkezelését mindig szakszerűen kell végezni.

Az ártalmatlanítás előtt a benzinmotort működésképtelenné kell tenni. Ehhez különösen a gyújtókábel eltávolítása, az üzemanyagtartály kiürítése és a motorolaj leengedése szükséges.

Sérülésveszély a kapacillagok miatt!

A már nem használt kerti motoros kapálógépet soha ne hagyjuk felügyelet nélkül. A gépet és a kapacillagokat úgy kell tárolni, hogy gyermekek ne férhessenek hozzá.

15. A kopás minimalizálása és a meghibásodások elkerülése

Fontos karbantartási és tisztítási tudnivalók

Benzinmotoros kapálógépek (STIHL MH)

A kezelési útmutató biztonságra, kezelésre és karbantartásra vonatkozó előírásainak figyelmen kívül hagyása vagy a nem engedélyezett kiegészítő vagy pótalkatrészek használata miatt bekövetkezett személyi és vagyoni károkkal kapcsolatban a STIHL vállalat kizárja mindennemű felelősségét.

A STIHL gép sérülésének, ill. túlzott kopásának elkerülése érdekében feltétlenül tartsa be a következő fontos útmutatásokat.

1. Kopó alkatrészek

A STIHL gépek egyes alkatrészei rendeltetésszerű használat mellett is normális kopásnak vannak kitéve, ezért a használat módjától és időtartamától függően időben ki kell cserélni őket.

Ilyen alkatrészek például:

- az ékszíj
- a kapacillag
- a csoroszlya

2. A jelen használati utasítás előírásainak betartása

A STIHL gép használata, karbantartása és tárolása olyan gondosan történjen, amint az a jelen használati útmutatóban szerepel. A biztonsági, kezelési és karbantartási utasítások figyelmen kívül hagyásából származó minden kárért a felhasználót terheli a felelősség.

Ez különösen érvényes az alábbi esetekre:

- a termék nem rendeltetésszerű használata,
- a STIHL által nem engedélyezett üzemanyagok használata (kenőanyagok, benzin és motorolaj, lásd a benzinmotor használati utasítását),
- a terméken a STIHL jóváhagyása nélkül végrehajtott változtatások,
- a STIHL által nem engedélyezett kiegészítő berendezések, tartozékok vagy vágóeszközök használata,
- a termék sportrendezvényeken vagy egyéb versenyeken történő használata,
- a termék hibás alkatrészekkel történő használata miatt bekövetkező károk.

3. Karbantartási munkák

A „Karbantartás” című fejezetben leírt összes munkát rendszeresen el kell végezni.

Amennyiben ezeket a karbantartási munkálatokat a felhasználó nem tudja maga elvégezni, azokkal egy szakszervizt kell megbízni.

A STIHL azt javasolja, hogy a karbantartási és javítási munkákat csak STIHL szakszervizzel végeztesse el.

A STIHL szakszervek munkatársai oktatásokon vesznek részt, és rendelkezésükre állnak a cég által kiadott műszaki információk is.

Ezeknek a munkáknak az elmulasztása esetén olyan károk keletkezhetnek, amelyekért a felhasználó viseli a felelősséget.

Ide tartoznak a többi között:

- a szakszerűtlen tárolás következtében fellépő korróziós és egyéb károk,
- a gép sérülései minőségileg nem megfelelő pótalkatrészek használata miatt,
- a nem megfelelő időben vagy módon elvégzett, ill. olyan karbantartási vagy javítási munkákból adódó károk, amelyeket nem szakszervizben végeztek el.

16. Általános pótalkatrészek

Rugós biztosítócsap (kapacillagok):
9396 021 3785

MH 445, MH 445 R

Komplett kapatestek, bal oldali, belső:
6241 710 0200

Komplett kapatestek, jobb oldali, belső:

6241 710 0205

Komplett kapatestek, bal oldali, külső:

6241 710 0210

Komplett kapatestek, jobb oldali, külső:

6241 710 0215

MH 560, MH 585, MH 685

Komplett kapatestek, bal oldali, belső:

6241 710 0220

Komplett kapatestek, jobb oldali, belső:

6241 710 0225

MH 585, MH 685

Komplett kapatestek, bal oldali, külső:

6242 710 0210

Komplett kapatestek, jobb oldali, külső:

6242 710 0215

17. A gyártó uniós megfelelőségi nyilatkozata

17.1 STIHL MH 445.0, MH 445.0 R, MH 560.0, MH 585.0, MH 685.0 motoros kapálógép

STIHL Tirol GmbH
Hans Peter Stihl-Straße 5
6336 Langkampfen
Ausztria

egyedüli felelősséggel kijelenti, hogy a
következő adatokkal jellemzett gép:

- Kialakítás: Motoros kapálógép
- Gyártó neve: STIHL
- Típus: MH 445.0, MH 445.0 R,
MH 560.0, MH 585.0, MH 685.0
- Sorozatazonosító: 6241

megfelel a vonatkozó rendeleteknek és
irányelveknek (2000/14/EC, 2006/42/EC,
2014/30/EU és 2011/65/EU), továbbá a
termék kifejlesztése és gyártása a

következő szabványok gyártás
időpontjában érvényes változatával
összhangban történt: EN 709 és
EN 14982 (amennyiben alkalmazható).

A tanúsító szervezet neve és címe:
TÜV Rheinland LGA Products GmbH
Tillystraße 2
D-90431 Nürnberg

A mért és garantált zajteljesítményszintek
meghatározása a 2000/14/EG irányelv
VIII. mellékletének megfelelően történt.

MH 445.0, MH 445.0 R

- Mért zajteljesítményszint: 92 dB(A)
- Garantált zajteljesítményszint:
93 dB(A)

MH 560.0, MH 585.0

- Mért zajteljesítményszint: 91,3 dB(A)
- Garantált zajteljesítményszint:
93 dB(A)

MH 685.0

- Mért zajteljesítményszint: 92,4 dB(A)
- Garantált zajteljesítményszint:
93 dB(A)

A műszaki dokumentáció a STIHL Tirol
GmbH termékengedélyeztetési
részlegénél található.

A gyártás éve és a gépszám a motoros
kapálógépen szerepel.

Langkampfen, 02.11.2020

STIHL Tirol GmbH

meghatalmazott



Matthias Fleischer, a kutatási-fejlesztési
részleg vezetője

meghatalmazott



Sven Zimmermann, a minőségbiztosítási
részleg vezetője

18. Műszaki adatok

MH 445.0 / MH 445.0 R / MH 560.0 / MH 585.0 / MH 685.0

Sorozatazonosító	6241
Benzinmotor, kialakítás	4 ütemű benzinmotor
Indítószerkezet	indítózsínór
A 2000/14/EC irányelv szerint:	
Garantált zajteljesítményszint	
L _{WA}	93 dB(A)

MH 445.0 / MH 445.0 R

Motortípus	B&S Series 550 EX OHV RS
------------	-----------------------------

MH 445.0 / MH 445.0 R

Lökettérfogat	140 cm ³
Névleges teljesítmény a névleges fordulatszámon	2,2 - 3100 kW - 1/min
Üzemanyagtartály	0,8 l
Eszközök	4 kapaelem, 2 növényvédő tárcsa
Kapatestek átmérője	30 cm
A kapatestek üzemi fordulatszáma a vizsgálati fordulatszámon	124 1/min
Vizsgálati fordulatszám	3100 1/min
A 2006/42/EC irányelv szerint:	
Munkahelyi hangnyomásszint	
L _{pA}	80 dB(A)
Mérési bizonytalanság K _{pA}	2 dB(A)
Az EN 12096 szerinti rezgési mutató:	
Mért érték a _{hw}	5,50 m/s ²
Mérési bizonytalanság K _{hw}	2,20 m/s ²
Az EN 20643 szerinti mérés	
Hajtás MH 445.0	1 előremeneti sebességfokozat
Hajtás MH 445.0 R	1 előremeneti sebességfokozat 1 hátrameneti sebességfokozat
Tömeg	36 kg / 37 kg

MH 560.0/ MH 585.0

Motortípus	Kohler HD675
Lökettérfogat	149 cm ³

MH 560.0/ MH 585.0

Névleges teljesítmény a névleges fordulatszámon	2,3 - 3000 kW - 1/min
Üzemanyagtartály	1,4 l
Szerszámok MH 560.0	2 kapaelem, 2 növényvédő tárcsa
Szerszámok MH 585.0	4 kapaelem, 2 növényvédő tárcsa
Kapatestek átmérője	32 cm
A kapatestek üzemi fordulatszáma a vizsgálati fordulatszámon	120 1/min
Vizsgálati fordulatszám	3000 1/min
A 2006/42/EC irányelv szerint:	
Munkahelyi hangnyomásszint	
L _{pA}	79 dB(A)
Mérési bizonytalanság K _{pA}	2 dB(A)
Az EN 12096 szerinti rezgési mutató:	
Mért érték a _{hw}	5,00 m/s ²
Mérési bizonytalanság K _{hw}	2,50 m/s ²
Az EN 20643 szerinti mérés	
Hajtás	1 előremeneti sebességfokozat 1 hátrameneti sebességfokozat
Tömeg	41 kg / 44 kg

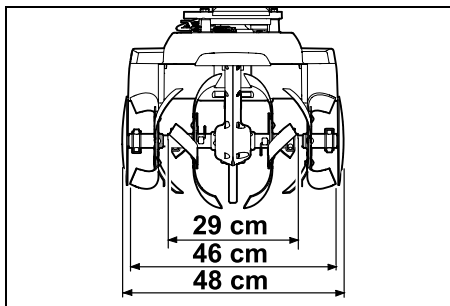
MH 685.0

Motortípus	Kohler HD775
Lökettérfogat	173 cm ³

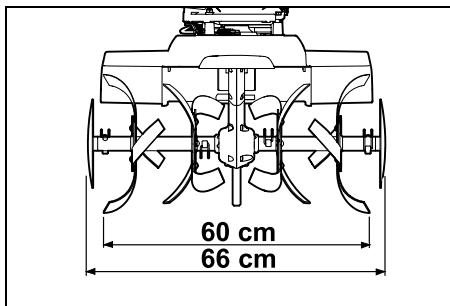
MH 685.0

Névleges teljesítmény a névleges fordulatszámon	2,9 - 3200 kW - 1/min
Üzemanyagtartály	1,4 l
Eszközök	4 kapaelem, 2 növényvédő tárcsa
Kapatestek átmérője	32 cm
A kapatestek üzemi fordulatszáma a vizsgálati fordulatszámon	128 1/min
Vizsgálati fordulatszám	3200 1/min
A 2006/42/EC irányelv szerint:	
Munkahelyi hangnyomásszint	
L _{pA}	80 dB(A)
Mérési bizonytalanság K _{pA}	2 dB(A)
Az EN 12096 szerinti rezgési mutató:	
Mért érték a _{hw}	6,00 m/s ²
Mérési bizonytalanság K _{hw}	2,40 m/s ²
Az EN 20643 szerinti mérés	
Hajtás	1 előremeneti sebességfokozat 1 hátrameneti sebességfokozat
Tömeg	46 kg

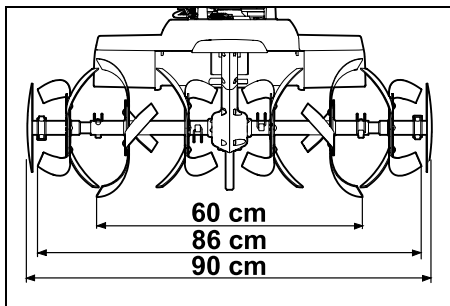
MH 445.0, MH 445.0 R:



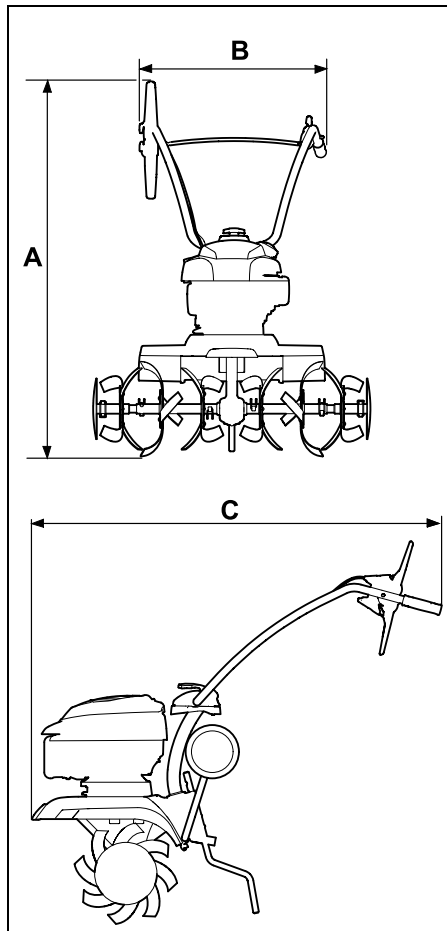
MH 560.0:



MH 585.0, MH 685.0:



MH 445.0, MH 445.0 R, MH 560.0,
MH 585.0, MH 685.0:



MH 445.0, MH 445.0 R:

A = 118 cm

B = 57 cm

C = 122 cm

MH 560.0, MH 585.0, MH 685.0:

A = 119 cm

B = 57 cm

C = 122 cm

18.1 REACH

A REACH a vegyi anyagok regisztrálására, besorolására és engedélyezésére szolgáló EK-rendelet.

Az Európai Közösség 1907/2006 számú REACH-rendeletének való megfeleléssel kapcsolatos információk a www.stihl.com/reach weboldalon található.

19. Hibakeresés

✘ Szükség esetén forduljon szakszervizhez, lehetőleg STIHL szakszervizhez.

📖 Lásd a benzinmotor használati utasítását.

Hiba:

Nem indul be a benzinmotor.

Lehetséges ok:

- A fordulatszám-szabályozó kar leállítási helyzetben van.
- Nincs üzemanyag a tartályban, eldugult az üzemanyag-vezeték.
- Rossz, szennyezett vagy régi üzemanyag van a tartályban.
- Le van húzva a gyertyapipa a gyújtógyertyáról; a gyújtókábel rosszul van rögzítve a pipához.
- Meghibásodott vagy kormos a gyújtógyertya; nem megfelelő az elektródatávolság.
- Elszennyeződött a légszűrő.
- Többszöri indítási kísérlettel „túlshívtuk” a benzinmotort.

Megoldás:

- Állítsuk a fordulatszám-szabályozó kart az indítási helyzetbe (⇒ 8.1).

- Töltsünk be üzemanyagot (⇒ 7.15); tisztítsuk meg az üzemanyag-vezetéket (✘).
- Használjunk friss, márkás üzemanyagot (ólommentes benzint) (⇒ 7.15); tisztítsuk meg a karburátort (✘).
- Helyezzük fel a gyertyapipát (📖); ellenőrizzük a gyertyapipa és a gyújtókábel csatlakozását (✘).
- Tisztítsuk meg/cseréljük ki a gyújtógyertyát (📖), (✘); állítsuk be az elektródátávolságot (✘).
- Tisztítsuk meg/cseréljük ki a légszűrőt (✘).
- Csavarjuk ki és szárítsuk meg a gyújtógyertyát, toljuk a fordulatszám-szabályozó kart a leállítási helyzetbe, és húzzuk ki többször az indítózinórt kiszereit gyújtógyertya mellett (📖).

Hiba:

Nehézkes indítás vagy a benzinmotor csökkenő teljesítménye.

Lehetséges ok:

- Víz került az üzemanyagtartályba és a karburátorba; a karburátor eltömődött.
- Szennyezett az üzemanyagtartály.
- Elszennyeződött a légszűrő.
- Bekormozódott a gyújtógyertya.

Megoldás:

- Úrítsuk ki az üzemanyagtartályt, tisztítsuk meg az üzemanyag-vezetéket és a karburátort (✘).
- Tisztítsuk meg az üzemanyagtartályt (✘).
- Tisztítsuk meg/cseréljük ki a légszűrőt (📖), (✘).
- Tisztítsuk meg/cseréljük ki a gyújtógyertyát (📖), (✘).

Hiba:

A benzinmotor felforrósodik.

Lehetséges ok:

- Szennyezettek a hűtőbordák.
- Túl alacsony az olajsint a benzinmotorban.
- A benzinmotor felülete földdel borított.

Megoldás:

- Tisztítsuk meg a hűtőbordákat (⇒ 12.2).
- Töltsünk a gépbe motorolajat (⇒ 7.15).
- Távolítsuk el a földet a benzinmotorról.

Hiba:

A benzinmotor nyugtalanul jár.

Lehetséges ok:

- Elszennyeződött a légszűrő.

Megoldás:

- Tisztítsuk meg/cseréljük ki a légszűrőt (📖), (✘).

Hiba:

Erős füstfejlődés.

Lehetséges ok:

- Túl magas az olajsint.
- Elszennyeződött a légszűrő.

Megoldás:

- Csökkentsük az olajmennyiséget (📖).
- Tisztítsuk meg/cseréljük ki a légszűrőt (📖), (✘).

Hiba:

Erős rezgések használat közben.

Lehetséges ok:

- Meglazult a motor rögzítése.

Megoldás:

- Húzzuk meg a motor rögzítőcsavarjait (✘).

Hiba:

Csökken a munkateljesítmény.

Lehetséges ok:

- A kapacillagok rosszul vannak felszerelve.
- A kapacillagok kopottak.
- A csoroszlya rosszul van beállítva.

Megoldás:

- Szereljük fel megfelelően a kapacillagokat (⇒ 7.7), (⇒ 7.8).
- Cseréljük ki a kapacillagokat (✘).
- Állítsuk be a csoroszlyát (⇒ 11.5).

Hiba:

Nincs munkateljesítmény.

Lehetséges ok:

- Nincs meg a rugós biztosítócsap a hajtótengelyen.

Megoldás:

- Ellenőrizzük a kapacillagok rögzítését a hajtótengelyen (⇒ 7.7), (⇒ 7.8).

Hiba:

A váltómű zajos.

Lehetséges ok:

- Nem megfelelő az olajsint a váltóműben.

Megoldás:

- Ellenőrizzük az olajsintet a váltóműben (✘).

Hiba:

A hajtótengely a kerékajtás karjának működtetése ellenére nem forog.

Lehetséges ok:

- Megsérült a működtető huzal.

- A hajtósíj kopott.

Megoldás:

- Ellenőrizzük, ill. cseréljük ki a működtető huzalt (✘).
- Cseréljük ki a szíjat (✘).

20. Szervizelési időpontok

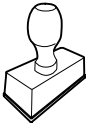
20.1 Az átadás igazolása

Modell: _____

Sorozatszám:

□	□	□	□	□	□	□	□	□
---	---	---	---	---	---	---	---	---

Dátum: |_|_| |_|_| |_|_|



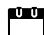
Következő szervizidőpont


Dátum: |_|_| |_|_| |_|_|

20.2 A szervizelés igazolása



Kérjük, karbantartási munkák esetén adja át a jelen használati utasítást a STIHL szakszerviznek. A szakszerviz a használati utasításban található előnyomtatott helyeken igazolja a szervizelés elvégzését.

 Az elvégzett szervizelés időpontja

 A következő szervizelés időpontja

Dragi korisniče,

raduje nas što ste se odlučili za STIHL. Naši proizvodi su koncipirani i izrađeni vrhunskim kvalitetom prema potrebama naših korisnika. Tako nastaju proizvodi visoke pouzdanosti takođe i pri ekstremnim opterećenjima.

STIHL garantuje vrhunski kvalitet takođe i kod usluga. Naša specijalizovana trgovinska mreža nudi stručne savete i uputstva kao i obimnu tehničku podršku.

Hvala Vam na poverenju; želimo Vam puno zadovoljstva uz Vaš proizvod STIHL.

Dr. Nikolas Stihl

VAŽNO! PRE UPOTREBE PROČITATI I SAČUVATI ZA KASNIJU UPOTREBU.

1. Sadržaj

O ovom uputstvu za upotrebu	254	Postavljanje i montaža sajle za gas	266
Opšte napomene	254	Fiksiranje užadi za upravljač	266
Kako da čitate ovo uputstvo za upotrebu	254	Gorivo i motorno ulje	266
Opis uređaja	255	Elementi za rukovanje	267
Za vašu bezbednost	255	Poluga za podešavanje gasa	267
Opšte napomene	255	Poluga startera	267
Dolivanje goriva – rukovanje benzinom	256	Bezbednosni uređaji	267
Odeća i oprema	257	Blokada poluge startera	267
Transport uređaja	257	Bezbednosni uređaji	268
Pre korišćenja	257	Uputstva za rad	268
Tokom rada	258	Radna oblast korisnika	268
Održavanje i popravke	260	Radni položaj uređaja	268
Skladištenje u slučaju dužeg nekorišćenja	261	Kombinacije zvezda za seckanje	268
Odlaganje	261	Idealan položaj tela tokom rada	268
Opis simbola	261	Puštanje uređaja u rad	268
Sadržaj paketa	262	Pripremne mere	268
Pripremanje uređaja za rad	262	Podešavanje visine gornjeg dela upravljača	268
Uputstva za montažu	262	Bočno podešavanje upravljača	269
Montaža konstrukcije	263	Rasklapanje i sklapanje transportne konstrukcije	269
Montaža kočionog zupca	263	Podešavanje kočionog zupca	269
Montaža upravljača	263	Pokretanje motora sa unutrašnjim sagorevanjem	269
Rasklapanje upravljača	264	Isključivanje motora sa unutrašnjim sagorevanjem	270
Montaža zaštitnih letvica	264	Uključivanje i isključivanje voznog pogona (unapred)	270
Montaža zvezde za okopavanje MH 445, MH 445 R	264	Uključivanje i isključivanje voznog pogona (unazad) (MH 445 R, MH 560, MH 585, MH 685)	270
Montaža zvezde za okopavanje MH 445, MH 585, MH 685	264	Okopavanje	270
Montaža zaštitne ploče za biljke	265	Održavanje	271
Montaža poluge startera	265	Demontaža zvezde za seckanje	271
Postavljanje užeta za startovanje	266	Čišćenje uređaja	271
Kačenje užeta za startovanje	266	Motor sa unutrašnjim sagorevanjem	272
		Servisni intervali	272

Čuvanje i skladištenje (zimski pausa)	272
Transport	272
Transport motokultivatora	272
Zaštita životne sredine	273
Odlaganje	273
Smanjivanje istrošenosti i izbegavanje oštećenja	273
Uobičajeni rezervni delovi	274
EC Izjava proizvođača o usaglašenosti	274
Benzinske freze STIHL MH 445.0, MH 445.0 R, MH 560.0, MH 585.0, MH 685.0	274
Tehnički podaci	275
REACH	277
Traženje grešaka	277
Plan servisiranja	278
Potvrda primopredaje	278
Potvrda servisiranja	278

2. O ovom uputstvu za upotrebu

2.1 Opšte napomene

Ovo uputstvo za upotrebu je **originalno uputstvo** proizvođača u skladu sa EU smernicom 2006/42/EC.

STIHL neprekidno razvija svoju paletu proizvoda. Zbog toga zadržavamo pravo na izmenu sadržaja paketa u smislu oblika, tehnike i opreme.

Iz tog razloga ne možemo da prihvatimo bilo kakve reklamacije na osnovu podataka i slika iz ovog uputstva.

U ovom uputstvu za upotrebu su možda opisani modeli koji nisu dostupni u svakoj zemlji.

Ovo uputstvo za upotrebu je zaštićeno autorskim pravima. Zadržavaju se sva prava, a posebno pravo na umnožavanje, prevođenje i obradu u elektronskim sistemima.

2.2 Kako da čitate ovo uputstvo za upotrebu

Slike i tekstovi opisuju određene postupke rukovanja.

Ovo uputstvo za upotrebu sadrži objašnjenje svih simbola koji se nalaze na uređaju.

Smer posmatranja:

Smer posmatranja prilikom upotrebe termina „**levo**“ i „**desno**“ u uputstvu za upotrebu:

Korisnik stoji iza uređaja i posmatra prema napred u smeru kretanja.

Referenca na poglavlje:

Strelica predstavlja referencu na odgovarajuće poglavlje i potpoglavlje sa dodatnim objašnjenjem. Sledeći primer predstavlja referencu na jedno poglavlje: (⇒ 4.)

Označavanje delova teksta:

Opisana uputstva mogu biti označena kao u sledećim primerima.

Postupci rukovanja koji zahtevaju učešće korisnika:

- Odvijačem otpustite vijak (1), povucite polugu (2)...

Opšta nabranja:

- Korišćenje uređaja na sportskim ili takmičarskim manifestacijama

Tekst sa dodatnim značenjem:

Tekst sa dodatnim značenjem označen je simbolima opisanim u nastavku kako bi bio posebno istaknut u ovom uputstvu za upotrebu.



Opasnost!

Opasnost od nesreće i teških telesnih povreda. Ponašanje na određeni način je neophodno ili nepoželjno.



Upozorenje!

Opasnost od povreda. Ponašanjem na određeni način sprečavaju se moguće ili verovatne povrede.



Oprez!

Ponašanjem na određeni način možete sprečiti lake povrede, odnosno nastanak materijalne štete.



Napomena

Informacije o efikasnijem korišćenju uređaja i sprečavanju mogućnosti pogrešnog rukovanja.

Tekstovi sa referencama na slike:

Slike kojima se objašnjava upotreba uređaja pronaći ćete na samom početku uputstva za upotrebu.

Simbol fotoaparata služi za povezivanje slika na stranama sa slikama sa odgovarajućim delovima teksta u uputstvu za upotrebu.



3. Opis uređaja



- 1 Poluga startera (unapred)
- 2 Gornji deo upravljača
- 3 Zatezna poluga
- 4 Uže startera
- 5 Motor sa unutrašnjim sagorevanjem
- 6 Utikač za svećice
- 7 Zaštitna lajsna
- 8 Zaštitna ploča za biljke
- 9 Zvezde za seckanje
- 10 Ručka za nošenje
- 11 Zaštitna lajsna
- 12 Transportna konstrukcija
- 13 Kočioni zubac
- 14 Poluga za deblokiranje (transportna konstrukcija)
- 15 Klin za deblokadu (kočioni zubac)
- 16 Ručica
- 17 Poluga za podešavanje gasa
- 18 MH 445 R, MH 560, MH 585, MH 685: Poluga startera (unazad)
- 19 Pločica sa podacima o uređaju i brojem mašine

4. Za vašu bezbednost

4.1 Opšte napomene



Prilikom korišćenja uređaja obavezno se pridržavajte propisa za zaštitu od povreda na radu.



Pre prvog puštanja u upotrebu obavezno pažljivo pročitajte celo uputstvo za upotrebu. Pažljivo sačuvajte uputstvo za upotrebu kako biste mogli da ga koristite i kasnije.

Pridržavajte se uputstava za rukovanje i održavanje koje možete pronaći u zasebnom uputstvu za motor sa unutrašnjim sagorevanjem.

Ove mere opreza su od ključnog značaja za vašu bezbednost. Međutim, ova lista nije kompletna. Uređaj koristite razumno i odgovorno i imajte na umu da su korisnici mašine odgovorni za nesreće u kojima dođe do povreda drugih lica i oštećenja njihove imovine.

Upoznajte se s elementima za rukovanje i upravljačkim aktuatorima, kao i s načinom upotrebe uređaja. Korisnik u svakom slučaju mora da zna kako da brzo zaustavi radni alat i motor sa unutrašnjim sagorevanjem koji se nalazi u uređaju.

Uređaj smeju da koriste samo osobe koje su pročitale uputstvo za upotrebu i upoznate su sa načinom rukovanja. Korisnik mora da se potruži da dobije stručnu i praktičnu obuku pre prvog puštanja uređaja u rad. Korisnik mora da zatraži od prodavca ili nekog drugog stručnog lica da mu objasni kako se bezbedno koristi uređaj.

Prilikom ove obuke, korisniku posebno treba da bude skrenuta pažnja da su za korišćenje uređaja neophodne izuzetna pažnja i koncentracija.

Čak i ukoliko propisno rukujete uređajem, uvek može da postoji neki nepredviđeni rizik.



Opasnost po život usled gušenja!

Deci preti opasnost od gušenja ako se igraju ambalažom. Ambalažu držati daleko od dece.

Uređaj, uključujući i sve priključne delove, sme da se daje, odnosno pozajmljuje isključivo osobama koje su u suštini upoznate sa ovim modelom i načinom njegovog korišćenja. Uputstvo za upotrebu predstavlja deo uređaja i uvek se mora prosledivati zajedno s njim.

Uređaj koristite isključivo kada ste odmorni i u dobrom telesnom i psihičkom stanju. Ukoliko imate zdravstvene probleme, posavetujte se sa svojim lekarom o tome da li možete da koristite uređaj. Nakon konzumiranja alkohola, droge ili lekova koji utiču na smanjenje sposobnosti reagovanja, ne smete da koristite uređaj.

Proverite da li je korisnik fizički, senzorno i mentalno sposoban da rukuje uređajem i da radi sa njim. Ukoliko je korisnik sa ograničenim fizičkim, senzornim i mentalnim sposobnostima ipak sposoban za rukovanje uređajem, on sme da radi sa njim, ali isključivo pod nadzorom ili prema uputstvima odgovornog lica.

Proverite da li je korisnik punoletan ili da li je stručno osposobljen u skladu sa nacionalnim propisima i pod odgovarajućim nadzorom.

Pažnja – opasnost od nesreće!

Motokultivator je namenjen samo za obradu tla koje služi za sejanje, gajenje ili održavanje biljaka. On sme da se koristi samo u skladu sa navodima u ovom uputstvu za upotrebu i ni u kom slučaju se ne sme koristiti nenamenski. Drugačije korišćenje nije dozvoljeno i može biti opasno. Posledice mogu biti povređivanje ili oštećivanje uređaja.

Da bi se izbegle opasnosti po zdravlje korisnika, motokultivator, između ostalog, ne sme da se koristi u sledeće svrhe (lista nije sveobuhvatna):

- za održavanje krovne vegetacije i vegetacije u balkonskim žardinjerama,
- za sitno seckanje i usitnjavanje grana i ostataka žive ograde.

Uređajem se ne smeju transportovati predmeti, životinje ili osobe, a posebno ne deca.

Iz bezbednosnih razloga zabranjene su sve izmene uređaja, osim stručne montaže dodatne opreme koju je odobrila kompanija STIHL. Takve izmene dovode do gubitka prava iz garancije. Informacije o dozvoljenoj dodatnoj opremi možete dobiti od ovlašćenog STIHL distributera.

Posebno je zabranjena svaka manipulacija uređajem kojom se menja njegova snaga ili broj obrtaja motora sa unutrašnjim sagorevanjem, odnosno elektromotora.

Prilikom korišćenja na javnim površinama, u parkovima, na sportskim terenima, ulicama i u poljoprivrednim i šumarskim preduzećima potreban je poseban oprez.



Pažnja! Opasnost po zdravlje usled vibracija! Preterana izloženost vibracijama može izazvati oštećenje krvnih

sudova i nervnog sistema, naročito kod ljudi sa kardiovaskularnim problemima. Obratite se svom lekaru ako se pojave simptomi čiji uzrok može biti izloženost vibracijama.

Ovi simptomi, koji se uglavnom javljaju na prstima, šakama ili ručnim zglobovima, ogledaju se npr. u (lista nije sveobuhvatna):

- utruću,

- bolovima,
- slabosti u mišićima,
- promenama boje kože,
- neprijatnim žmarcima.

Tokom rada držite upravljač čvrsto, ali ne i grčevito, sa obe ruke na za to predviđenim mestima.

Vreme rada planirajte tako da izbegnete veća opterećenja tokom dužeg perioda.

Tokom korišćenja motokultivatora planirajte pauze pri radu i izbegavajte predugo korišćenje uređaja, jer dugotrajne vibracije negativno utiču na zdravlje.

4.2 Dolivanje goriva – rukovanje benzinom



Opasnost po život!

Benzin je otrovan i lako zapaljiv.

Benzin čuvajte samo u proverenim posudama koje su za to predviđene (kanisterima). Poklopce rezervoara uvek pravilno zavrnite i pritegnite. Neispravne zatvarače treba zameniti iz bezbednosnih razloga.

Nikada ne koristite flaše od pića i slične sudove za odlaganje ili skladištenje pogonskih goriva poput benzina. Pojedine osobe, a posebno deca mogle bi da se prevare i uzmu da piju iz njih.



Benzin čuvajte dalje od varnica, otvorenog plamena, stalnog plamena, toplotnih izvora i drugih izvora vatre. Zabranjeno pušenje!

Benzin dolivajte u uređaj samo na otvorenom prostoru i nemojte da pušite za to vreme.

Pre dolivanja benzina isključite motor sa unutrašnjim sagorevanjem i sačekajte da se ohladi.

Benzin treba doliti pre pokretanja motora sa unutrašnjim sagorevanjem. Tokom rada motora sa unutrašnjim sagorevanjem i kada je mašina još topla, ne treba otvarati poklopac rezervoara niti dolivati gorivo.

Ne prepunjavajte rezervoar za gorivo!

Da bi gorivo imalo dovoljno prostora za širenje, nikada nemojte puniti rezervoar za gorivo preko donje ivice nastavka za sipanje.

Pridržavajte se, osim toga, i napomena iz uputstva za upotrebu motora sa unutrašnjim sagorevanjem.

Ukoliko dođe do preliivanja benzina, pokrenite motor sa unutrašnjim sagorevanjem tek kada očistite mesto na kome je došlo do preliivanja. Nemojte da pokušavate da pokrenete motor sve dok prelivevi benzin ne ispari (osušite površine isprskane benzinom).

Uvek obrišite prosuto gorivo.

Ako benzin dospe na odeću, obavezno je zamenite.

Nikada ne skladištite uređaj u kome ima goriva u zatvorenim prostorijama. Benzinska isparenja mogu da dođu u dodir sa otvorenim plamenom ili varnicama i da se zapale.

Ako treba da ispraznite rezervoar, to učinite na otvorenom prostoru.



4.3 Odeća i oprema



Za vreme rada uvek nosite čvrstu obuću sa hrapavim đonom. Nikada nemojte raditi bosu ili npr. u sandalama.



Prilikom radova na održavanju i čišćenju, kao i tokom transporta uređaja pored toga uvek nosite čvrste zaštitne rukavice, a dugu kosu vežite i pokrijte (maramom, kapom itd.).



Tokom rada s uređajem koristite prikladnu usku odeću, tj. kombinezon, a ne radni mantil. Tokom rada s uređajem nemojte da nosite šal, kravatu, nakit, trake koje vise i odeću čiji delovi su odvojeni od tela.

Rotirajući delovi mogu da dođu u dodir i povuku kosu, odeću i delove odeće. To može da izazove teške povrede.

4.4 Transport uređaja

Radite isključivo sa rukavicama da biste izbegli povrede na oštrim i vrelim delovima uređaja.

Ne transportujte uređaj dok motor sa unutrašnjim sagorevanjem radi. Pre transporta isključite motor sa unutrašnjim sagorevanjem, sačekajte da se radni alati potpuno zaustave i izvucite utikač za svećice.

Uređaj transportujte tek kada se motor sa unutrašnjim sagorevanjem ohladi i nakon što ispraznite rezervoar za gorivo.

Pridržavajte se uputstava iz poglavlja „Transport“. U njemu je opisan način na koji možete da podignete, odnosno vučete uređaj. (⇒ 13.)

Uređaj uvek moraju nositi dve osobe, i to držeći ga za predviđena mesta za držanje.

Koristite odgovarajuće pomoćne uređaje za utovar (rampe za utovar, sisteme za podizanje tereta).

Iz bezbednosnih razloga, prilikom transporta i utovara ne sme se prekoračivati nagib od 15°, što posebno važi u slučaju korišćenja rampi za utovar.

Uređaj i delove koji se transportuju s njim na teretnoj platformi osigurajte sredstvima za pričvršćivanje odgovarajućih dimenzija (kaiševima, sajlama itd.). Uređaj nikada ne transportujte ako ga niste osigurali.

Kompanija STIHL preporučuje da motokultivator transportujete pomoću odgovarajuće prikolice, odnosno na odgovarajućoj teretnoj platformi, a ne u unutrašnjem delu vozila (npr. u prtljažniku).

Prilikom transporta uređaja vodite računa o lokalnim zakonskim propisima, a posebno onima koji se odnose na bezbednost tovara i transport predmeta na utovarnoj površini.

4.5 Pre korišćenja

Neophodno je obezbediti da uređaj koristite isključivo osobe koje su upoznate sa sadržajem uputstva za upotrebu.

Pre puštanja uređaja u rad proverite nepropusnost sistema za dovod goriva, a posebno njegovih vidljivih delova, poput rezervoara, poklopca rezervoara i spojeva creva. U slučaju da dolazi do propuštanja ili da postoji oštećenje, nemojte da pokrećete motor sa unutrašnjim sagorevanjem, jer pretili **opasnost od**

požara!

Pre puštanja u rad, obezbedite da ovlašćeni distributer obavi servisiranje.

Molimo vas da vodite računa o lokalnim propisima o dozvoljenim terminima za korišćenje baštenskih uređaja sa motorom sa unutrašnjim sagorevanjem.

Detaljno proverite teren na kojem ćete koristiti uređaj i uklonite veliko kamenje, grane, žice, kosti i ostala strana tela koja bi uređaj tokom rada mogao katapultirati u vazduh.

Predmeti koji su skriveni u zemlji (prskalice za travu, stubovi, ventili za vodu, temelji, električni vodovi i sl.) moraju da budu jasno obeleženi pre rada s uređajem i moraju se zaobići. Ne prelazite nikada namerno preko takvih stranih objekata.

Pre upotrebe uređaja neophodno je zameniti neispravne, istrošene i oštećene delove. Neophodno je da zamenite nečitka ili oštećena upozorenja na uređaju. Od svog ovlašćenog STIHL distributera možete da nabavite rezervne nalepnice i sve druge rezervne delove.

Pre upotrebe uređaja proverite da li je utikač za svećice dobro i bezbedno priključen na svećicu.

Uređaj sme da se koristi samo u bezbednom stanju. Pre svakog puštanja u rad proverite:

- da li je čitav uređaj u propisno montiranom stanju.
- da li su bezbednosni uređaji (npr. poluga startera, zaštitne lajsne, poklopci i pokrivke, upravljač, zaštitna rešetka) u besprekornom stanju i da li pravilno funkcionišu. Uređaj ni u kom slučaju ne sme da se koristi ako bezbednosni uređaji nedostaju ili ako su oni oštećeni ili istrošeni.

- da li su montirani radni alat (zvezde za seckanje), pričvrtni zavrtnji i rascepke, odnosno da li su oni istrošeni ili oštećeni (urezi, pukotine). Istrošeni ili oštećeni delovi moraju da se zamene.
- da li su radni alati (zvezde za seckanje) pravilno montirani i dobro pričvršćeni.
- da li su poluge startera funkcionalne i imaju li lagan hod.
- da li je poklopac rezervoara pravilno pričvršćen.
- da li su rezervoar i delovi kroz koje prolazi gorivo kao i poklopac rezervoara u besprekornom stanju.
- da li je navojni čep za ulje pravilno pričvršćen.
- da li je pribor koji se koristi u celini i pravilno montiran na uređaj. Sve komponente koje se isporučuju kao dodatna oprema moraju da budu ugrađene, odnosno iskorišćene.

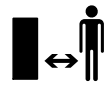
Po potrebi obavite sve potrebne radove, odnosno obratite se ovlašćenom distributeru. STIHL preporučuje ovlašćenog STIHL distributera.

Zaštitne lajsne s leve i desne strane prilagođene su odgovarajućoj radnoj širini i uvek moraju biti pravilno montirane. Ako se na modelima MH 445 i MH 445 R poveća radna širina korišćenjem dodatnih zvezdi za seckanje (STIHL dodatna oprema), moraju da se montiraju i veće zaštitne lajsne (koje se isporučuju kao dodatna oprema).

Pomoću transportnih točkova dogurajte ili dovucite uređaj do površine koja se obrađuje.

Pre puštanja u rad, uklonite sve predmete s uređaja (alat, krpe itd.).

4.6 Tokom rada



Vodite računa da se druge osobe ne nalaze u zoni opasnosti! Nikada ne koristite uređaj dok se u zoni opasnosti nalaze životinje ili druge osobe, a posebno deca.

Pažnja! – Tokom rada uređaja dolazi do podizanja tj. bočnog izbacivanja zemlje, kamenja i sl.

Uređajem sme da rukuje samo jedna osoba. Tokom rada motora sa unutrašnjim sagorevanjem, korisnik se mora nalaziti u radnoj oblasti. (⇒ 10.1)

Uređaj se tokom rada ne sme podizati, gurati ili vući pomoću transportne ručke, zaštitnog lima ili drugih delova, osim ručki upravljača, a posebno ne ukoliko to čini druga osoba.

Zabranjeno je skidanje i premošćavanje sistema prekidača i bezbednosnih uređaja koji se nalaze na uređaju. Posebno je zabranjeno da se poluga startera fiksira za gornji deo upravljača (npr. vezivanjem).



Pažnja – opasnost od povreda!

Nikada ne postavljajte ruke ili noge na rotirajuće delove, iznad ili ispod njih. Uvek se pridržavajte bezbednosnog rastojanja određenog ručkom za upravljanje. Bezbednosno rastojanje odgovara dužini propisno montiranog i rasklopljenog upravljača. Nemojte obavljati izmene na upravljaču i nikada nemojte da pušate uređaj u rad kada je upravljač sklopljen.

Nikad ne pričvršćujte predmete za upravljač (npr. radnu odeću).

Radite isključivo po dnevnom svetlu ili uz dobro veštačko osvetljenje.

Ne koristite uređaj tokom padavina i nevremena, a posebno izbegavajte da ga koristite kada postoji opasnost od udara groma.

Ukoliko je podloga vlažna, usled smanjene stabilnosti povećava se opasnost od nesreće.

Neophodno je da budete posebno pažljivi pri radu kako biste izbegli proklizavanje. Ukoliko je moguće, izbegavajte korišćenje uređaja kada je podloga vlažna.

Uređaj sa montiranim zvezdama za seckanje nemojte da uključujete na asfaltnoj podlozi, pločama i sličnim podlogama.

Koristite uređaj vrlo oprezno, kada radite u blizini strmina, ivica terena, jaruga i nasipa. Posebnu pažnju obratite na dovoljno rastojanje u odnosu na takva opasna mesta.

Izduvni gasovi:



Opasnost po život usled trovanja!

U slučaju pojave mučnine, glavobolje, smetnji u vidu (poput smanjenja vidnog polja), smetnji u sluhu, nesvestice i smanjenja koncentracije, odmah prekinite sa radom. Uzrok ovakvih simptoma između ostalog može biti prevelika koncentracija izduvnih gasova.



Uređaj stvara otrovne izduvne gasove odmah nakon pokretanja motora sa unutrašnjim sagorevanjem. Ovi gasovi sadrže otrovni ugljen-monoksid, gas bez boje i mirisa, kao i druge štetne materije. Nikada ne pokrećite motor sa unutrašnjim sagorevanjem u zatvorenim prostorijama i prostorijama koje se teško provetravaju.

Pazite kuda izduvna cev izbacuje izduvne gasove. Nikad ne usmeravajte izduvnu cev prema drugim osobama.

Pokretanje:

Oprezno pokrenite uređaj prateći uputstva iz poglavlja „Puštanje uređaja u rad“ (⇒ 11.). Pokretanje u skladu sa ovim uputstvima smanjuje opasnost od povreda.

Opasnost od povrede!

Kada se uže startera brzo vraća u početni položaj, ono povlači dlan i ruku ka motoru sa unutrašnjim sagorevanjem brže nego što je moguće pustiti uže startera. Ovaj povratni udar može da prouzrokuje prelom kosti, prignječenje i uganuće.

Pazite da udaljenost nogu od radnih alata bude dovoljno velika.

Uređaj se prilikom pokretanja ne sme naginjati.

Prilikom pokretanja ne smete da pomerate polugu startera.

Rad na kosinama:

Rad na kosinama uvek obavljajte u poprečnom smeru, nikada uzduž. Korisnik se na kosini ni u kom trenutku ne sme nalaziti ispod uređaja koji radi. U suprotnom ga uređaj može pregaziti ukoliko izgubi kontrolu.

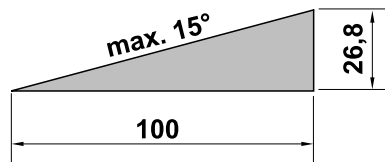
Budite posebno oprezni kada menjate smer kretanja na kosini.

Uvek pazite na svoju stabilnost na kosinama i izbegavajte da koristite uređaj na suviše velikim kosinama.

Kada se koristi na kosinama, uređaj može da se prevrne. Iz bezbednosnih razloga uređaj ne sme da se koristi na uzbrdnom terenu čiji je nagib veći od 15° (26,8 %).

Opasnost od povreda!

Kosina od 15° odgovara vertikalnom usponu od 26,8 cm pri horizontalnoj dužini od 100 cm.



Kako biste obezbedili dovoljno podmazivanje motora sa unutrašnjim sagorevanjem, morate prilikom upotrebe uređaja na kosinama poštovati i navode iz uputstva za upotrebu motora sa unutrašnjim sagorevanjem koje je isporučeno zajedno sa uređajem.

Primena:



Opasnost od povreda!

Nikada ne postavljajte ruke ili noge na rotirajuće delove, iznad ili ispod njih.

Uređajem se iz bezbednosnih razloga uvek mora rukovati obema rukama – tokom rada obe ruke moraju da budu na ručkama upravljača. Nikada ne radite jednom rukom.

Dubinu rada regulišite isključivo pritiskanjem kočionog zupca.

Na tlu koje se teško obrađuje (npr. kamenitom ili tvrdom tlu) uređaj koristite uz poseban pažnju – smanjite brzinu rotacije radnih alata (regulacija gasa).

Uređaj vozite isključivo brzinom koraka – nikada ne trčite dok koristite uređaj. Brzim kretanjem uređaja povećava se opasnost od nesreće zbog mogućeg saplitanja, proklizavanja itd.

Pažnja – opasnost od povreda!

Budite posebno oprezni i naročito vodite računa o dovoljnom rastojanju između

radnih alata (zvezdi za seckanje) i nogu kada okrećete uređaj, povlačite ga ka sebi ili koristite hod unazad.

Pažnja – opasnost od spoticanja!

Prilikom kretanja uređaja unazad, vodite računa o preprekama iza korisnika.

Ako se uređaj ukopao, isključite motor sa unutrašnjim sagorevanjem i izvucite utikač za svećice. Podignite i izvucite uređaj pomoću još jedne osobe.

Isključite motor sa unutrašnjim sagorevanjem

- kada naginjete mašinu radi transporta,
- kada gurate ili vučete mašinu sa i do površine koja se obrađuje,
- ako napuštate uređaj, odnosno ako ga ostavljate bez nadzora,
- pre dolivanja goriva. Gorivo dolivajte samo kada je motor sa unutrašnjim sagorevanjem hladan. **Opasnost od požara!**
- kada gurate ili vučete mašinu na površinu koja se ne obrađuje.

Isključite motor sa unutrašnjim sagorevanjem i izvucite utikač za svećice

- pre otpuštanja blokada,
- pre podizanja ili nošenja uređaja,
- pre transporta uređaja,
- pre nego što započnete proveru ili čišćenje uređaja i pre drugih radova na njemu (poput podešavanja upravljača, rasklapanja transportne konstrukcije),
- ako ste naleteli na neko strano telo ili je uređaj počeo da neuobičajeno jako vibrira. U ovakvim slučajevima proverite da li je došlo do oštećenja mašine, a posebno radnih alatki (zvezde za

seckanje, elementi za pričvršćivanje zvezda za seckanje, pogonsko vratilo) i obavite neophodne popravke pre nego što ponovo pokrenete uređaj i nastavite da ga koristite.



Opasnost od povrede!

Jake vibracije po pravilu ukazuju na neku smetnju.

Motokultivator ni u kom slučaju ne sme da se koristi u slučaju oštećenog ili iskrivljenog pogonskog vratila, kao ni u slučaju oštećenih radnih alata.

Ukoliko vam nedostaje potrebno znanje, poverite neophodne popravke stručnjaku – kompanija STIHL preporučuje ovlašćenog STIHL distributera.

4.7 Održavanje i popravke

Pre početka radova na čišćenju, podešavanju, popravci i održavanju:

- Postavite uređaj na čvrsto, ravno tlo,
- Isključite motor sa unutrašnjim sagorevanjem i pustite ga da se ohladi,
- Izvucite utikač za svećice.

Pažnja – opasnost od povreda!

Držite utikač za svećice dalje od svećice, slučajna varnica paljenja može da dovede do požara ili strujnih udara. Slučajan kontakt između svećice i utikača za svećice može da dovede do neželjenog startovanja motora sa unutrašnjim sagorevanjem.

Radi radova na čišćenju ili održavanju, spustite uređaj unazad. Ako spustite uređaj bočno ili prema napred, može doći do oštećenja motora sa unutrašnjim



sagorevanjem i drugih delova uređaja, usled čega će biti neophodne skupe popravke.

Sačekajte da se uređaj ohladi pre nego što započnete radove na održavanju menjača, motora sa unutrašnjim sagorevanjem, izduvne grane i prigušivača zvuka. Moguće su temperature od 80° C i više.

Opasnost od opekotina!

Neposredan kontakt sa motornim uljem može biti opasan. Osim toga, motorno ulje se ne sme prosipati.

Kompanija STIHL preporučuje da dolivanje, odnosno zamenu motornog ulja poverite ovlašćenom STIHL distributeru.

Redovno proveravajte istrošenost čitavog uređaja i oštećenja, a posebno pre skladištenja (npr. pre zimske pauze). Odmah zamenite istrošene ili oštećene delove iz bezbednosnih razloga, kako bi uređaj uvek bio u stanju bezbednom za rad.

Čišćenje:

Neophodno je da čitav uređaj pažljivo očistite nakon korišćenja. (⇒ 12.2)

Nataložene naslage očistite drvenim štapom. Očistite donji deo uređaja četkom i vodom.

Ne koristite agresivna sredstva za čišćenje. Ona mogu da oštete plastiku ili metal, što može da ugrozi bezbedan rad vašeg STIHL uređaja.

Donja strana uređaja (svi delovi ispod zaštitnog lima) može da se čisti pomoću perača pod visokim pritiskom, odnosno mlaza pare. Održavajte rastojanje od najmanje 1 m i nikad nemojte usmeravati vodeni mlaz direktno prema ležajevima i zaptivkama, a posebno ne prema zaptivki između kućišta menjača i zaštitnog lima.

Da biste izbegli opasnost od požara, pazite da zone oko otvora za ventilaciju, rashladnih rebara i izduvne cevi ne dođu u kontakt sa travom, slamom, mahovinom, lišćem ili mazivom koje curi.

Radovi na održavanju:

Korisnik sme da obavlja isključivo radove na održavanju koji su opisani u ovom uputstvu za upotrebu. Sve druge radove na održavanju treba da poveri ovlašćenom distributeru.

Ukoliko Vam nedostaje neophodno znanje ili su vam potrebna pomoćna sredstva, **uvek** se obratite distributeru.

Kompanija STIHL preporučuje da radove na održavanju i popravke obavljate kod ovlašćenog STIHL distributera. Ovlašćenim STIHL distributerima redovno se nude obuke i dostavljaju tehničke informacije.

Koristite isključivo alat, pribor i priključne uređaje koje je kompanija STIHL odobrila za korišćenje sa ovim uređajem ili tehnički identične delove. U suprotnom može doći do rizika od nesreća koje izazivaju telesne povrede ili oštećenje uređaja. Ukoliko imate pitanja, obratite se ovlašćenom distributeru.

STIHL originalni alat, dodatna oprema i rezervni delovi imaju svojstva koja su optimalno prilagođena uređaju i zahtevima korisnika. STIHL originalni rezervni delovi prepoznatljiviji su po STIHL broju rezervnog dela, po natpisu STIHL i eventualno po STIHL oznaci rezervnog dela. Na malim delovima znak može da stoji i sam.

Iz bezbednosnih razloga redovno proveravajte da li su oštećeni i da li zaptivaju delovi kroz koje prolazi gorivo (vodovi za gorivo, slavina za gorivo, rezervoar za gorivo, poklopac rezervoara, priključci i dr.) i po potrebi zadužite

servisera da ih zameni (STIHL preporučuje ovlašćenog STIHL distributera).

Nalepnice sa upozorenjima i uputstvima uvek treba da budu čiste i čitljive. Oštećene ili izgubljene nalepnice zamenite novim koje možete dobiti od ovlašćenog STIHL prodavca. Ukoliko se neki sklop zameni novim, vodite računa da za novi sklop dobijete istu nalepnicu.

Sve matice, klinovi i vijci moraju da budu dobro pritegnuti da bi uređaj bio u stanju bezbednom za rad.

Nemojte da menjate osnovno podešavanje motora sa unutrašnjim sagorevanjem i nemojte da preterujete sa brojem obrtaja.

Ukoliko zbog radova na održavanju dođe do demontiranja pojedinih delova ili zaštitnih sistema, njih treba odmah i propisno ponovo montirati.

Prilikom zamene radnih alata (zvezda za seckanje) vodite računa o vrsti i kombinaciji zvezda za seckanje – dozvoljene su samo varijante koje je odobrila kompanija STIHL.

4.8 Skladištenje u slučaju dužeg nekorišćenja

Sačekajte da se motor sa unutrašnjim sagorevanjem ohladi pre skladištenja uređaja u zatvorenom prostoru.

Uređaj sa ispražnjenim rezervoarom i rezerve goriva čuvajte u prostoriji sa dobrom ventilacijom koja može da se zaključa.

Osigurajte da uređaj bude zaštićen od neovlašćenog korišćenja (npr. od dece).

Nikada ne skladištite uređaj u kome ima goriva u zatvorenim prostorijama. Benzinska isparenja mogu da dođu u dodir sa otvorenim plamenom ili varnicama i da se zapale.

Ako treba da ispraznite rezervoar, npr. zbog skladištenja pre zimske pauze, pražnjenje rezervoara za gorivo obavljajte isključivo na otvorenom prostoru (npr. tako što ćete ostaviti motor da radi dok se sam ne isključi).

Temeljno očistite uređaj pre nego što ga uskladištite (npr. zbog zimske pauze).

Uređaj skladištite isključivo sa izvučenim utikačem za svećice.

Uređaj skladištite u bezbednom stanju.

Sačekajte da se uređaj potpuno ohladi pre nego što ga prekrijete.

4.9 Odlaganje

Otpadni proizvodi poput starog ulja ili goriva, starih maziva, filtera, akumulatora i sličnih potrošnih delova mogu da ugroze zdravlje ljudi i životinja, kao i životnu sredinu i stoga morate da ih propisno odložite.

Obratite se centru za recikliranje ili ovlašćenom distributeru za dodatne informacije o ispravnom odlaganju otpadnih proizvoda. STIHL preporučuje ovlašćenog STIHL distributera.

Osigurajte da neupotrebljiv uređaj bude odložen na pravilan način. Pridržavajte se uputstva iz poglavlja „Zaštita životne sredine“. (⇒ 14.)

5. Opis simbola



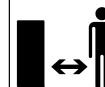
**Pažnja! –
Opasnost od povreda!**



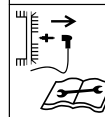
Pre puštanja u rad pročitajte i pridržavajte se uputstva za rukovanje i bezbednosnih upozorenja.



Rotirajući alati: Držite ruke i noge dalje od rotirajućih alata. Pogon samo sa zaštitnim poklopcem.



Pridržavajte se bezbednosnog rastojanja.

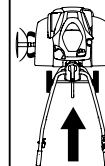


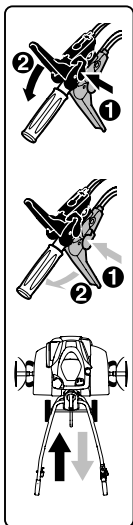
Pre radova na održavanju i čišćenju izvucite utikač za svećice.



MH 445:

Pre pritiskanja poluge voznog pogona neophodno je da se iz bezbednosnih razloga najpre pritisne poluga za deblokiranje. Time se sprečava slučajno pritisnjanje poluge startera.





MH 445 R, MH 560, MH 585, MH 685:

Pre pritiskanja poluge voznog pogona neophodno je da se iz bezbednosnih razloga najpre pritisne odgovarajuća poluga za deblokiranje. Time se sprečava slučajno pritiskanje neke od poluga startera. Crna poluga startera služi za hod unapred, dok crvena poluga startera služi za hod unazad.



Opasnost od opekotina!

Ne dodirujte vruće površine. Kućište menjača se zagreva.

6. Sadržaj paketa



Poz.	Oznaka	Kom.
A	Osnovni uređaj	1
B	Upravljač	1
C	Zatezna poluga	1
D	Transportna konstrukcija	1
E	Kočioni zubac	1
F	Leva zaštitna lajsna	1
G	Desna zaštitna lajsna	1

Poz.	Oznaka	Kom.
H	MH 445, MH 445 R: Zvezda za seckanje	4
I	MH 560, MH 585, MH 685: Zvezda za seckanje, dvostruka	2
J	MH 585, MH 685: Zvezda za seckanje, jednostruka	2
K	Zaštitni prsten	2
L	Zaštitna ploča za biljke	2
M	Poluga startera (unapred), crna	1
N	MH 445 R, MH 560, MH 585, MH 685: Poluga startera (unazad), crvena	1
O	MH 445: Sigurnosna matica M6	1
P	MH 445: Poklopac	1
Q	Sigurnosna matica M6	1
R	Ravni okrugli vijak M6	1
S	MH 445, MH 445 R, MH 585, MH 685: Preklopna rascepk 10x40 MH 560: Preklopna rascepk 10x40	6 4
T	Ravni okrugli vijak M8	2
U	Šestostrana navrtka M8	2
V	Kablovska spojnica	2
–	Uputstvo za upotrebu	1
–	Uputstvo za upotrebu Motor sa unutrašnjim sagorevanjem	1
–	MH 560, MH 585, MH 685: Ključ za svećice	1

7. Pripremanje uređaja za rad

7.1 Uputstva za montažu



Opasnost od povrede!

Vodite računa o bezbednosnim upozorenjima iz poglavlja „Za vašu bezbednost“. (⇒ 4.) Posebno je važno da izvučete utikač za svećice i da pri svim radovima na zvezdama za seckanje nosite čvrste rukavice.

Poštujte navedene obrtne momente!

Postavite i zakačite užad za startovanje i sajlu za gas samo na opisan način.

Neppravilno montirana užad za startovanje (npr. pogrešno postavljena ili zakačena za pogrešnu pogonsku polugu) može da izazove kvarove.

- Sve opisane radove obavljajte na čistoj, horizontalnoj, ravnoj i čvrstoj podlozi.
- Pridržavajte se položaja za montažu – uvek vodite računa da uređaj bude stabilno i bezbedno postavljen.
- Potpuno se pridržavajte uputstva za montažu sajli. Naročito je važno da **kablovskim spojnicama** fiksirate sve sajle za upravljač kako biste izbegli oštećenja uređaja (npr. prilikom sklapanja upravljača) ili moguće kvarove.

Poluga startera, užad za startovanje

MH 445:

- Crna poluga startera na gornju stranu upravljača.
- Jedno uže za startovanje (unapred).
MH 445 R, MH 560, MH 585, MH 685:
- Crna poluga startera na gornju stranu upravljača.
- Crvena poluga startera na donju stranu upravljača.
- Jedno uže za startovanje (unapred).
Ovo uže za startovanje ima **crni poklopac** i treba ga zakačiti za crnu polugu startera.
- Jedno uže za startovanje (unazad).
Ovo uže za startovanje ima **crveni poklopac** i treba ga zakačiti za crvenu polugu startera.

7.2 Montaža konstrukcije



- Položaj za montažu:
Osnovni uređaj (A) spustite prema napred kao na slici i stabilizujte ga tako što ćete na oba pogonska vratila postaviti odgovarajuće drvene podloške (1) (visina 50 - 60 mm, širina/dužina oko 100 mm).
- **1** Pidržnu kopču (2) pritisnite prema gore i držite.
- **2** Transportnu konstrukciju (D) ubacite u udubljenje (3) na klinu poluge za deblokiranje (4).
- Transportnu konstrukciju (D) pritisnite do kraja prema gore i držite je.
- **3** Pidržnu kopču (2) pritisnite nadole. Na obe strane ubacite vijke (T) odozdo.
- **4** Pidržnu kopču (2) pričvrstite zavrtanjem dve matice (U).

7.3 Montaža kočionog zupca



- Položaj za montažu:
pogledajte odeljak „Montaža konstrukcije“ (⇒ 7.2)
- Pritisnite i držite klin za deblokadu (1).
- Ubacite kočioni zubac (E) odozdo u adapter (2) i gurajte ga prema gore do kraja.
- Pustite klin za deblokadu (1) i povucite kočioni zubac (E) nadole dok ne uskoči u odgovarajući položaj.
- Proverite da li je kočioni zubac (E) dobro fiksiran.

7.4 Montaža upravljača



- **1** Položaj za montažu:
pogledajte odeljak „Montaža konstrukcije“ (⇒ 7.2)
- Skinite gumenu traku (1).
- Malo podignite i držite **2** konzolu (2).
- **3** Upravljač (B) pozicionirajte centralno, ugurajte ga do kraja između konzole (2) i donjeg dela upravljača (3) i držite ga. Kraci opruge (4) moraju da se pružaju duž podešavanja položaja (5) kao na slici.
Prekontrolišite prikazani položaj opruge (4) u elementu za podešavanje (6) i, ako je potrebno, zakačite oprugu.
- **4** Pritegnite vijak (7).
- **5** Odvrnite maticu (8) na zateznoj poluzi (C) i skinite zajedno sa oprugom (9).

- Zateznu polugu (C) sa ugrađenim vijkom gurnite odozgo kroz konzolu (2) i donji deo upravljača (3). Gurnite oprugu (9) na zateznu polugu (C). Zavrnite maticu (8) jedan do dva obrta.



Napomena!

Zateznu polugu (C) montirajte tako da u svrhu zatezanja morate da je pritisnete napred prema motoru sa unutrašnjim sagorevanjem.

- **6** Izaberite centralni položaj gornjeg dela upravljača (3). (⇒ 11.3)
- Rukom pritisnite zateznu polugu (C) prema napred.
- Zavrnite maticu (8) sa 5 Nm (ne do kraja).
- Kontrola jačine stezanja:
Montaža zatezne poluge (C) je izvršena pravilno ako zatezna poluga može da se aktivira rukom, a da je pri tom upravljač čvrsto fiksiran na osnovnom uređaju.
- Podešavanje sile zatezanja:
Ukoliko upravljač nije dovoljno stegnut ili zatezna poluga ne može da se aktivira rukom, morate da pustite zateznu polugu i da zavrtanjem odn. odvrtnjem matice (8) fino podesite silu zatezanja.
Zateznu polugu zatim ponovo pritisnite prema napred.



Opasnost od povrede!

Uređaj sme da se gura odn. vuče samo za upravljač koji je čvrsto pričvršćen za osnovni uređaj (u slučaju kvara upravljač ne sme da bude labav).

7.5 Rasklapanje upravljača



- Zateznu polugu (1) povučite prema gore. Polako otklopite gornji deo upravljača (2) u smeru strelice.
- Pritisnite zateznu polugu (1) do kraja prema napred.
- Podesite visinu upravljača. (⇒ 11.2)

7.6 Montaža zaštitnih letvica



- Proveriti unapred montirane vijke (1) u zaštitnim letvicama (F, G) – nemojte ih odvrnuti do kraja.
- Motokultivator postavite u položaj za čišćenje. (⇒ 12.2)
- Postavite levu zaštitnu letvicu (F) sa tri unapred montirana vijka (1) u tri otvora (2) na pokrivnom limu.
- Gurnite zaštitnu letvicu (F) napred i pridržite je.
- Zavrnite vijke (1) i pričvrstite ih momentom od 10 - 12 Nm.
- Proverite da li je zaštitna letvica dobro pričvršćena (F) i posle toga montirajte desnu zaštitnu letvicu (G) na isti način.

7.7 Montaža zvezde za okopavanje MH 445, MH 445 R



- Motokultivator postavite u položaj za čišćenje. (⇒ 12.2)



Potpuno se pridržavajte uputstva za montažu. Posebno vodite računa o redosledu montaže i pazite da u celini montirate zaštitne prstenove, zvezde za seckanje i preklapne rascepke na opisani način. Prilikom montaže preklapne rascepke obavezno se pridržavajte prikazanog pravca umetanja i položaja sigurnosnog klizača. U slučaju pogrešne, odnosno obrnute montaže, preklapna rascepka može da se sama otvori i izgubi.

Kako bi se osigurao dobar rezultat rada, sečiva zvezda za seckanje moraju biti okrenuta prema napred (a ne prema upravljaču) – pridržavajte se oznaka sa strelicama.

Definicija zvezde za seckanje:

- zvezda za seckanje (1): ista veličina spoljnog preseka držača vratila (2).
- zvezda za seckanje (3): različiti spoljašnji presek držača vratila (4).



- Gurnite zaštitni prsten (K) do kraja na pogonsko vratilo (5). Udubljenja na zaštitnom prstenu moraju da uđu u tri žleba na kućištu menjača (6).
- Postavite zvezdu za seckanje (1) tako da **kraći** držač vratila (2) bude usmeren ka kućištu menjača i da sečiva (7) budu okrenuta prema napred. Strelice (8) na zvezdi za seckanje i strelica (9) na kućištu menjača (6) moraju biti okrenute u istom smeru.
- Gurnite zvezdu za seckanje (1) na pogonsko vratilo (5).

- Zakrenite zvezdu za seckanje (1) tako da se poklope otvori na držaču vratila i pogonskom vratilu.



- Gurnite preklapnu rascepku (S) kroz otvore i sklopite sigurnosni klizač.



- Postavite zvezdu za seckanje (3) tako da **manji** spoljni prečnik držača vratila (4) bude usmeren ka već montiranoj zvezdi za seckanje (1) i da sečiva (7) budu okrenuta prema napred. Strelice (8) na zvezdi za seckanje i strelica (9) na kućištu menjača (6) moraju biti okrenute u istom smeru.

- Gurnite zvezdu za seckanje (3) u već montiranu zvezdu za seckanje (1).

- Zakrenite zvezdu za seckanje (3) tako da se poklope otvori na obe zvezde za seckanje.



- Gurnite preklapnu rascepku (S) kroz otvore i sklopite sigurnosni klizač.
- Po potrebi montirajte zaštitnu ploču za biljke. (⇒ 7.9)
- Ponovite montažu zvezde za seckanje na drugoj strani.

7.8 Montaža zvezde za okopavanje MH 445, MH 585, MH 685



- Motokultivator postavite u položaj za čišćenje. (⇒ 12.2)



Potpuno se pridržavajte uputstva za montažu. Posebno vodite računa o redosledu montaže i pazite da u celini montirate zaštitne prstenove, zvezde za seckanje i preklapne rascepke na opisani način. Prilikom montaže preklapne rascepke obavezno se pridržavajte prikazanog pravca umetanja i položaja sigurnosnog klizača. U slučaju pogrešne, odnosno obrnute montaže, preklapna rascepka može da se sama otvori i izgubi.

Kako bi se osigurao dobar rezultat rada, sečiva zvezda za seckanje moraju biti okrenuta prema napred (a ne prema upravljaču) – pridržavajte se oznaka sa strelicama.

Definicija zvezde za seckanje:

- zvezda za seckanje (I):
dvoredna zvezda za seckanje.
- zvezda za seckanje (J):
jednoredna zvezda za seckanje.

1 MH 560, MH 585, MH 685

- Gurnite zaštitni prsten (K) do kraja na pogonsko vratilo (1). Udubljenja na zaštitnom prstenu moraju da uđu u tri žleba na kućištu menjača (2).
- Postavite zvezdu za seckanje (I) tako da **kraći** držač vratila (3) bude usmeren ka kućištu menjača i da sečiva (4) budu okrenuta prema napred. Strelice (5) na zvezdi za seckanje i strelica (6) na kućištu menjača (2) moraju biti okrenute u istom smeru.
- Gurnite zvezdu za seckanje (I) na pogonsko vratilo (1).

- Zakrenite zvezdu za seckanje (I) tako da se poklope otvori na držaču vratila i pogonskom vratilu.

2 MH 560, MH 585, MH 685

- Gurnite preklapnu rascepku (S) kroz otvore i sklopite sigurnosni klizač.

3 MH 585, MH 685

- Postavite zvezdu za seckanje (J) tako da **manji** spoljni prečnik držača vratila (7) bude usmeren ka već montiranoj zvezdi za seckanje (I) i da sečiva (4) budu okrenuta prema napred. Strelice (5) na zvezdi za seckanje i strelica (6) na kućištu menjača (2) moraju biti okrenute u istom smeru.
- Gurnite zvezdu za seckanje (J) u već montiranu zvezdu za seckanje (I).
- Zakrenite zvezdu za seckanje (J) tako da se poklope otvori na obe zvezde za seckanje.

4 MH 585, MH 685

- Gurnite preklapnu rascepku (S) kroz otvore i sklopite sigurnosni klizač.

MH 560, MH 585, MH 685

- Po potrebi montirajte zaštitnu ploču za biljke. (⇒ 7.9)
- Ponovite montažu zvezde za seckanje na drugoj strani.

7.9 Montaža zaštitne ploče za biljke



10



Prilikom montaže preklapne rascepke obavezno se pridržavajte prikazanog pravca umetanja i položaja sigurnosnog klizača. U slučaju pogrešne, odnosno obrnute montaže, preklapna rascepka može da se sama otvori i izgubi.

- Postavite zaštitnu ploču za biljke (L) na spoljnu zvezdu za seckanje. Zakrenite zaštitnu ploču za biljke tako da se poklope otvori na ploči i zvezdi za seckanje.
- Gurnite preklapnu rascepku (S) kroz otvore i sklopite sigurnosni klizač.
- Ponovite postupak na drugoj strani.

7.10 Montaža poluge startera



11

- Pridržavajte se uputstva za montažu. (⇒ 7.1)
- Crnu polugu voznog pogona (M) sa ugrađenim vijkom (1) utaknite odozgo kroz otvor u gornjem delu upravljača.
- MH 445:
Zavrnite sigurnosnu maticu (O) i pričvrstite je momentom od 7 - 9 Nm. Postavite poklopac (P).
- MH 445 R, MH 560, MH 585, MH 685:
Postavite crvenu polugu voznog pogona (N) tako da se vijak crne poluge može zavrtiti u maticu ugrađenu u crvenu polugu.
Pritisnite crvenu polugu voznog pogona (N) naviše prema upravljaču. Zavrnite vijak (1) i pričvrstite ga momentom od 7 - 9 Nm.

7.11 Postavljanje užeta za startovanje



- Pridržavajte se uputstva za montažu. (⇒ 7.1)
- **1** Odmotati uže za startovanje (napred) (1) i zakačiti za držač (2).
- **2** Pritegnite navrtku (3) sa 2 - 4 Nm.
- Sprovedite uže za startovanje (unapred) (1) naviše na sledeći način:
 - A** Sprovedite uže za startovanje (napred) (1) preko gornjeg dela upravljača (4).
 - B** Postavite uže za startovanje (unapred) (1) ispod poprečnog nosača (5) gornjeg dela upravljača.
- MH 445 R, MH 560, MH 585, MH 685: Postavite uže za startovanje (unazad) (6) na desnu stranu motora sa unutrašnjim sagorevanjem, ispod poluge za upravljanje (7). Uže na upravljaču, kao i uže za startovanje (unapred) sprovedite naviše.

7.12 Kačenje užeta za startovanje



- Pridržavajte se uputstva za montažu. (⇒ 7.1)

Uže za startovanje (unapred):

- Uložak (1) užeta sa crnim poklopcem (2) gurnite u crnu polugu voznog pogona (M).
- Uložak (1) sprovedite kroz otvor (3) poluge (4). Ako je potrebno, za to upotrebite odgovarajuća klešta.
- Pomoću odgovarajućih klešta povucite uložak (1) i zakačite ga za polugu (4), kao na slici.

- Pritisnite poklopac (2) na polugu startera (4) i pustite ga da uskoči u odgovarajući položaj.
- **Provera funkcionalnosti:** Pritisnite polugu startera. (⇒ 8.2) Poluga startera mora imati lagan hod.

Uže za startovanje (unazad) MH 445 R, MH 560, MH 585, MH 685:

- Uložak užeta sa crvenim poklopcem gurnite u crvenu polugu startera.
- Dalja montaža odvija se na isti način kao montaža užeta za startovanje (unapred).

7.13 Postavljanje i montaža sajle za gas



- Pridržavajte se uputstva za montažu. (⇒ 7.1)
- Odvijte sajlu za gas (1) i sprovedite je na sledeći način:
 - A** Sprovedite sajlu za gas iznad gornjeg dela upravljača (2).
 - B** Postavite sajlu za gas ispod poprečnog nosača (3) gornjeg dela upravljača.
- Postavite vijak (T) u otvor kućišta sajle za gas (4). Kućište sajle za gas s postavljenim vijkom zakačite iznutra na gornji deo upravljača i držite ga. Navrnite sigurnosnu maticu (U) i pričvrstite je momentom od 7 - 9 Nm.

7.14 Fiksiranje užadi za upravljač



- Pridržavajte se uputstva za montažu. (⇒ 7.1)

- MH 445: Fiksirajte uže za startovanje (1) za desnu stranu gornjeg dela upravljača pomoću kablovske spojnice (V).
- MH 445 R, MH 560, MH 585, MH 685: Fiksirajte oba užeta za startovanje (1, 2) za desnu stranu gornjeg dela upravljača pomoću kablovske spojnice (V).
- Fiksirajte sajlu za gas (3) za levu stranu gornjeg dela upravljača pomoću kablovske spojnice (V).
- Proverite da li su kablovske spojnice dobro pričvršćene. Odsecite višak kablovske spojnice.

7.15 Gorivo i motorno ulje



- ! Pazite da ne oštetite uređaj!** Pre prvog pokretanja motora napunite motorno ulje. Za dolivanje motornog ulja i goriva koristite odgovarajuće pomagalo (npr. levak).

Motorno ulje:

Vrsta motornog ulja koju treba koristiti i nivo punjenja navedeni su u uputstvu za upotrebu motora sa unutrašnjim sagorevanjem. Redovno proveravajte nivo ulja u motoru (pogledajte uputstvo za upotrebu motora sa unutrašnjim sagorevanjem). Izbegavajte pre nizak i previsok nivo ulja u motoru. Pravilno pritegnite zatvarač rezervoara za ulje pre korišćenja motora sa unutrašnjim sagorevanjem.

Gorivo:

Preporuka:
Koristite sveže gorivo poznate marke.



Koristite bezolovni benzin.
Podaci o kvalitetu goriva (broj oktana) navedeni su u uputstvu za upotrebu motora sa unutrašnjim sagorevanjem.

8. Elementi za rukovanje

8.1 Poluga za podešavanje gasa

Pomoću poluge za podešavanje gasa (1) možete da regulišete broj obrtaja motora sa unutrašnjim sagorevanjem.



Položaj za startovanje:

- Povucite polugu za podešavanje gasa (1) do kraja **prema pozadi**.
- Motor sa unutrašnjim sagorevanjem može da se startuje. (⇒ 11.6)



Položaj za zaustavljanje:

- Gurnite polugu za podešavanje gasa (1) do kraja **napred** (vodite računa o užlebljenju).
- Motor sa unutrašnjim sagorevanjem se zaustavlja nakon nekoliko sekundi.



Regulisanje broja obrtaja:

- Pomerajte polugu za podešavanje gasa (1) kada je motor sa unutrašnjim sagorevanjem pokrenut.

Broj obrtaja motora:

Brzo



Sporo



8.2 Poluga startera

Aktiviranjem poluge startera (1, 3) uključuje se i isključuje pogon pri radu motora sa unutrašnjim sagorevanjem, a pogonsko vratilo počinje da se okreće, odnosno zaustavlja.

Pritiskom na **crnu** polugu startera (unapred) (1), motokultivator prilikom dodira sa tлом i montiranim zvezdama za seckanje počinje da se kreće **unapred**.

Pritiskom na **crvenu** polugu startera (unazad) (3), motokultivator prilikom dodira sa tлом i montiranim zvezdama za seckanje počinje da se kreće **unazad**.

Poluge startera su mehanički blokirane iz bezbednosnih razloga kako bi se sprečilo njihovo slučajno uključivanje. (⇒ 9.1)
Pored toga, na modelima MH 445 R, MH 560, MH 585, MH 685 je zahvaljujući mehaničkom osiguraču u isto vreme moguće pritisnuti samo jednu polugu startera – ili polugu startera (unapred) ili polugu startera (unazad).



Pazite da ne oštetite uređaj!

Brzo i snažno povucite polugu startera i ne ostavljajte je u polupritisnutom položaju – izbegavajte značajno trošenje klinastog remena.

Pritisnite polugu startera (unapred):

- **1** Do kraja pritisnite polugu za deblokiranje (2) poluge startera (unapred) (1) i zadržite je.
- **2** Brzo do kraja pritisnite polugu startera (unapred) (1) i zadržite je.
- Otpustite polugu za deblokiranje (2). Pogon je uključen i pogonsko vratilo se okreće.



- **3** Isključivanje pogona:
Otpustite polugu startera (unapred) (1).

Pritisnite polugu startera (unazad) (MH 445 R, MH 560, MH 585, MH 685):



- **1** Do kraja pritisnite polugu za deblokiranje (4) poluge startera (unazad) (3) i zadržite je.
- **2** Brzo do kraja pritisnite polugu startera (unazad) (3) i zadržite je.
- Otpustite polugu za deblokiranje (4). Pogon je uključen i pogonsko vratilo se okreće.
- **3** Isključivanje pogona:
Otpustite polugu startera (unazad) (3).

9. Bezbednosni uređaji

Radi bezbednog rukovanja i zaštite od nenamenske upotrebe, uređaj je opremljen sa više bezbednosnih uređaja.



Opasnost od povrede!

Zabranjeno je skidanje, premošćavanje, menjanje ili oštećivanje bezbednosnih uređaja. Ukoliko se utvrdi ovakva neispravnost nekog od bezbednosnih uređaja, uređaj više ne sme da se koristi. Obratite se ovlašćenom distributeru. Kompanija STIHL preporučuje ovlašćenog STIHL distributera.

9.1 Blokada poluge startera

Poluge startera su mehanički blokirane iz bezbednosnih razloga, kako bi se sprečilo njihovo slučajno pritiskanje.

Da bi poluga startera mogla da se pritisne, neophodno je pre toga pritisnuti polugu za deblokiranje. (⇒ 8.2)

9.2 Bezbednosni uređaji

Motokultivator je opremljen bezbednosnim uređajima koji sprečavaju slučajan dodir sa radnim alatima i osiguravaju zaštitu od izbačenih predmeta.

U to spadaju bočne zaštitne lajsne, zaštitni lim i pravilno montirani upravljač.

10. Uputstva za rad

10.1 Radna oblast korisnika



- Iz bezbednosnih razloga, korisnik sve vreme rada (kada je motor sa unutrašnjim sagorevanjem pokrenut) mora biti u radnoj oblasti (siva površina 1).
- Motokultivatorom može da rukuje samo jedna osoba. Druge osobe moraju da se drže dalje od zone opasnosti. (⇒ 4.)

10.2 Radni položaj uređaja



- Motokultivator sme da se pušta u rad samo kada stoji na tlu (motor sa unutrašnjim sagorevanjem je okrenut nagore). Tokom čitavog rada motokultivator treba da stoji u što je moguće više vodoravnom položaju i treba izbegavati veće naginjanje.

10.3 Kombinacije zvezda za seckanje



Na levo i desno pogonsko vratilo uvek montirajte isti broj zvezda za seckanje.

Zaštitna ploča za biljke može da se montira u svim opisanim kombinacijama zvezda za seckanje. Ona štiti okolne biljke – npr. prilikom okopavanja u uskoj leji.

Moguće kombinacije MH 445, MH 445 R:

- 2 zvezde za seckanje:
po jedna jednodredna zvezda za seckanje za svako pogonsko vratilo
- 4 zvezde za seckanje:
po dve jednodredne zvezde za seckanje za svako pogonsko vratilo

Moguće kombinacije MH 560:

- 2 zvezde za seckanje:
po jedna dvoredna zvezda za seckanje za svako pogonsko vratilo

Moguće kombinacije MH 585, MH 685:

- 2 zvezde za seckanje:
po jedna dvoredna zvezda za seckanje za svako pogonsko vratilo
- 4 zvezde za seckanje:
po jedna dvoredna i jedna jednodredna zvezda za seckanje za svako pogonsko vratilo

10.4 Idealan položaj tela tokom rada



Idealno držanje tela tokom rada utiče na manje zamaranje.

Za to je potrebno da se uređaj (podešavanje upravljača po visini, podešavanje kočionog zupca) podesi tako da telo (leđa) može da se uspravi tokom čitavog radnog vremena.

Idealni položaj tela:

- ispravljena kičma
- ispravljene noge
- podlaktice blago savijene nadole.

11. Puštanje uređaja u rad

11.1 Pripreme mere



Opasnost od povreda!

Vodite računa o bezbednosnim upozorenjima iz poglavlja „Za vašu bezbednost“ (⇒ 4.) i upoznajte se sa elementima za rukovanje motokultivatorom. (⇒ 8.)

- Proverite nivo ulja u motoru i dopunite ulje. (⇒ 7.15)

11.2 Podešavanje visine gornjeg dela upravljača



Gornji deo upravljača može da se podešava po visini.

- Rasklopite transportnu konstrukciju. (⇒ 11.4)
- Jednom rukom čvrsto obuhvatite i držite gornji deo upravljača (1) za ručku (2).
- Drugom rukom povucite prema pozadi i držite zateznu polugu (3).
- Postavite gornji deo upravljača (1) u željeni položaj.

- Pritisnite zateznu polugu (3) prema napred i pazite da gornji deo upravljača ponovo u potpunosti zauzme odgovarajući položaj i fiksira se.
- Po potrebi preklonite transportnu konstrukciju. (⇒ 11.4)

11.3 Bočno podešavanje upravljača



Upravljač može da se bočno fiksira u 3 položaja.

- Rasklopite transportnu konstrukciju. (⇒ 11.4)
- Jednom rukom čvrsto držite gornji deo upravljača za ručku.
- Rukom povucite zateznu polugu (1) naviše.
- Postavite upravljač u željeni položaj. Pri tome vodite računa da se uklopnik (2) nalazi iznad jednog od tri žleba (3).
- Rukom pritisnite zateznu polugu (1) prema napred i stegnite upravljač.
- Proverite da li je upravljač dobro fiksiran.
- Po potrebi preklonite transportnu konstrukciju. (⇒ 11.4)

11.4 Rasklapanje i sklapanje transportne konstrukcije



Pomoću transportne konstrukcije motokultivator možete da transportujete guranjem ili vučenjem.



Opasnost od povreda!

Ako se transportna konstrukcija nalazi u radnom položaju (preklonjena prema gore) i pritisne se poluga za deblokiranje, transportna konstrukcija može samostalno da pređe u transportni položaj.

Rasklapanje transportne konstrukcije – transportni položaj:

- Malo podignite transportnu konstrukciju (1) jednom rukom i držite je.
- Pritisnite polugu za deblokiranje (2).
- Transportnu konstrukciju (1) preklonite do kraja prema dole i pustite polugu za deblokiranje (2). Transportna konstrukcija uskače u odgovarajući položaj i fiksirana je.

Sklopiti transportnu konstrukciju – radni položaj:

- Držite transportnu konstrukciju (1) jednom rukom i rasteretite je malim podizanjem.
- Pritisnite polugu za deblokiranje (2) i preklonite transportnu konstrukciju prema gore.
- Pustite polugu za deblokiranje (2) i preklonite transportnu konstrukciju do kraja prema gore. Transportna konstrukcija uskače u odgovarajući položaj i fiksirana je u radnom položaju.

11.5 Podešavanje kočionog zupca



Pomoću kočionog zupca tokom obrade tla moguće je regulisati otpor, a time i brzinu kretanja. Kočioni zubac može da se podešava u 3 stepena radi bolje regulacije.

Podešavanje kočionog zupca:

- Rasklopite transportnu konstrukciju u transportni položaj. (⇒ 11.4) Vodite računa da uređaj bude stabilno i bezbedno postavljen.
- Pritisnite i držite klin za deblokadu (1).
- Postavite kočioni zubac (2) u željeni položaj.
- Pustite polugu za deblokadu (1) i pazite da kočioni zubac uskoči u odgovarajući položaj.

11.6 Pokretanje motora sa unutrašnjim sagorevanjem



- Ručicu za podešavanje gasa postavite u položaj za startovanje. (⇒ 8.1)
- Obuhvatite rukom ručku na užetu startera (1) i čvrsto je držite.
- Polako izvucite užu startera (1) do kompresionog otpora. Zatim ga snažno, brzo i u jednom potezu povucite za jednu dužinu ruke. Ponovo polako vratite užu startera (1) tako da može ponovo da se namota. Ponavljajte postupak dok se motor sa unutrašnjim sagorevanjem ne pokrene.

11.7 Isključivanje motora sa unutrašnjim sagorevanjem

- Da biste isključili motor sa unutrašnjim sagorevanjem, postavite polugu za podešavanje gasa u položaj za zaustavljanje. (⇒ 8.1)
Motor sa unutrašnjim sagorevanjem će se zaustaviti nakon kratkog vremena.

11.8 Uključivanje i isključivanje voznog pogona (unapred)

Uključivanje voznog pogona (unapred):

- Motokultivator sa isključenim motorom sa unutrašnjim sagorevanjem transportujte do mesta korišćenja. (⇒ 13.)
- Pokrenite motor sa unutrašnjim sagorevanjem. (⇒ 11.6)
- Motokultivator držite za ručke sa obe ruke.
- Pritisnite i držite **crnu** polugu startera (unapred). (⇒ 8.2)
Pogonsko vratilo sa montiranim radnim alatima počinje da se okreće tako da se motokultivator pokreće unapred.

Isključivanje pogona (unapred):

- Otpustite polugu startera (unapred). (⇒ 8.2)
Pogonsko vratilo sa montiranim radnim alatima se zaustavlja.

11.9 Uključivanje i isključivanje voznog pogona (unazad) (MH 445 R, MH 560, MH 585, MH 685)

Motokultivatori MH 445 R, MH 560, MH 585, MH 685 opremljeni su brzinom za hod unazad.

Brzina za hod unazad služi isključivo za lakše oslobađanje kada se motokultivator zaglavi pri obradi tla. Hod unazad nije predviđen za okopavanje.



Opasnost od povrede!

Pre uključivanja voznog pogona (unazad) uvek vodite računa da između tela korisnika i upravljača bude dovoljno mesta.

Uključivanje voznog pogona (unazad):

- Motokultivator sa isključenim motorom sa unutrašnjim sagorevanjem transportujte do mesta korišćenja. (⇒ 13.1)
- Pokrenite motor sa unutrašnjim sagorevanjem. (⇒ 11.6)
- Motokultivator držite za ručke sa obe ruke.
- Pritisnite i držite **crvenu** polugu startera (unazad). (⇒ 8.2)
Pogonsko vratilo sa montiranim radnim alatima počinje da se okreće tako da se motokultivator pokreće unazad.

Isključivanje voznog pogona (unazad):

- Otpustite polugu startera (unazad). (⇒ 8.2)
Pogonsko vratilo sa montiranim radnim alatima se zaustavlja.

11.10 Okopavanje

Prilikom okopavanja, rotirajuće zvezde za seckanje omekšavaju zemljište i pripremaju ga za sejanje, gajenje ili održavanje biljaka.



Opasnost od povreda!

Okopavanje obavljajte isključivo unapred.

Pazite na prepreke preko kojih ne sme da se prelazi (npr. kamene ploče na stazama).

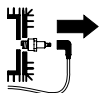
- Motokultivator sa isključenim motorom sa unutrašnjim sagorevanjem transportujte do mesta korišćenja. (⇒ 13.1)
- Sklopite transportnu konstrukciju. (⇒ 11.4)
- Pokrenite motor sa unutrašnjim sagorevanjem. (⇒ 11.6)
- Motokultivator s obe ruke držite za ručke i zauzmite stabilan položaj – poštujujte radnu oblast korisnika. (⇒ 10.1)
- Pritisnite polugu startera (unapred) i držite je. (⇒ 11.8)
Zvezde za seckanje počinju da se okreću, što znači da možete da počnete s okopavanjem.
- Nakon rada isključite pogon (⇒ 11.8), isključite motor (⇒ 11.7) i očistite uređaj (⇒ 12.2).

12. Održavanje



Opasnost od povreda!

Pre svih radova na održavanju i čišćenju uređaja pažljivo pročitajte poglavlje „Za vašu bezbednost“ (⇒ 4.), a posebno potpoglavlje „Održavanje i popravke“ (⇒ 4.7), i strogo se pridržavajte svih bezbednosnih napomena.



Pre svih radova na održavanju i čišćenju, izvucite utikač za svećice!

12.1 Demontaža zvezde za seckanje



i Ako se otvori preklapna rascepkapored kućišta menjača, tada je moguće od pogonskog vratila odvojiti kompletan dodatak za kopanje zajedno sa zaštitnom pločom za biljke. Prilikom radova na montaži zvezdi za seckanje poštujujte podatke navedene u poglavljima Montaža zvezde za seckanje (⇒ 7.7), (⇒ 7.8) i Kombinacije zvezdi za seckanje (⇒ 10.3).

- Sačekajte da se uređaj (motor sa unutrašnjim sagorevanjem, menjač) ohladi.
- Motokultivator postavite u položaj za čišćenje. (⇒ 12.2)

- Demontirajte zaštitne ploče za biljke: Rasklopite sigurnosni klizač preklapne rascepkap (1) i izvucite preklapnu rascepkapu. Skinite zaštitnu ploču za biljke (2).
- Demontaža zvezda za seckanje: Rasklopite sigurnosni klizač preklapne rascepkap (3) i izvucite preklapnu rascepkapu. Kompletno skinite zvezde za seckanje (4).
- Skinite zaštitne prstenove (5) i sačuvajte ih na sigurnom mestu. Pazite da ih ne izgubite!

12.2 Čišćenje uređaja



Interval održavanja: Nakon svakog korišćenja

- Nakon svakog korišćenja temeljno očistite čitav uređaj. Pažljivom negom zaštitite uređaj i produžite mu vek trajanja.
- Pre čišćenja uređaja sačekajte da se uređaj potpuno ohladi i izvucite utikač za svećice. Prilikom radova na čišćenju menjača i zvezda za seckanje nosite odeću s dugim rukavima i čvrste rukavice.

Položaj za čišćenje:



Pazite da ne oštetite uređaj!

Motokultivator nakratko (radi čišćenja i radova na održavanju) postavite u prikazani položaj. Uređaj prilikom skladištenja postavite uspravno.

- Rasklopite transportnu konstrukciju. (⇒ 11.4)
- Postavite gornji deo upravljača u najviši položaj. (⇒ 11.2)

- Postavite motokultivator na površinu s ravnom i čvrstom podlogom.
- Nagnite uređaj unazad tako da upravljač dotakne tlo.

Uputstvo za čišćenje:

- Prljavštinu i nataložene naslage očistite četkom, vlažnom krpom ili drvenim štapom – ne koristite agresivna sredstva za čišćenje. Kompanija STIHL preporučuje korišćenje specijalnog sredstva za čišćenje (npr. STIHL specijalnog sredstva za čišćenje).
- Nikada nemojte usmeravati mlaz vode na upravljač, delove motora sa unutrašnjim sagorevanjem, zaptivke ili ležajeve. To može prouzrokovati skupe popravke.
- **Motor sa unutrašnjim sagorevanjem:** Rashladna rebra, točak ventilatora, oblast oko filtera za vazduh, izduvnu cev itd. očistite od nečistoća kako biste osigurali dovoljno hlađenje motora sa unutrašnjim sagorevanjem.
- **Kućište menjača, konstrukciju i alat za okopavanje** možete da čistite vodenim mlazom, odnosno uređajem za pranje pod visokim pritiskom.



Pazite da ne oštetite uređaj!

U slučaju korišćenja uređaja za pranje pod visokim pritiskom, održavajte rastojanje od **najmanje 1 m** i nikad nemojte usmeravati vodeni mlaz direktno prema ležajevima i zaptivkama, a posebno ne prema zaptivki između kućišta menjača i zaštitnog lima.

12.3 Motor sa unutrašnjim sagorevanjem

Interval održavanja: Pre svake upotrebe

Proverite nivo ulja u motoru (pogledajte uputstvo za upotrebu motora sa unutrašnjim sagorevanjem).

Pridržavajte se uputstava za rukovanje i održavanje koje možete pronaći u priloženom uputstvu za motor sa unutrašnjim sagorevanjem.

12.4 Servisni interвали



Pazite da ne oštetite uređaj!

Radove na održavanju menjača sme da obavlja isključivo ovlašćeni distributer.

Održavanje kod ovlašćenog distributera:

Za privatne korisnike jednom godišnje

Motokultivator treba jednom godišnje održavati kod ovlašćenog distributera. STIHL preporučuje ovlašćenog STIHL distributera.

Održavanje od strane korisnika:

- **Pre svakog puštanja u rad**
Proverite nivo motornog ulja (pogledajte uputstvo za upotrebu motora sa unutrašnjim sagorevanjem)
- **Nakon svakog korišćenja**
Očistite uređaj. (⇒ 12.2)

12.5 Čuvanje i skladištenje (zimski pauza)



Motokultivator skladištite u normalnom položaju (rasklopljena transportna konstrukcija). Za skladištenje na malom prostoru preporučuje se preklapanje upravljača prema pozadi kao na slici.



Opasnost od prevrtanja!

Motokultivator može da se prevrne prema napred, kada se zvezde za seckanje nalaze u nepovoljnom položaju. Stoga uvek kontrolišite siguran položaj motokultivatora. Po potrebi malo zakrenite zvezde za seckanje, kako biste smanjili opterećenje glave. Alternativno prilikom skladištenja poduprite motokultivator u zoni ručke za nošenje.

Uređaj čuvajte u zatvorenoj suvoj prostoriji u kojoj nema puno prašine. Osigurajte da uređaj bude izvan domašaja dece.

Eventualne smetnje po pravilu treba otkloniti pre skladištenja. Uređaj se uvek mora nalaziti u bezbednom radnom stanju. Sve matice, klinovi i vijci moraju da budu čvrsto pritegnuti. Zamenite nečitka upozorenja na uređaju. Proverite da li na kompletnoj mašini postoje pohabani i oštećeni delovi. Zamenite istrošene i oštećene delove.

U slučaju dužeg perioda nekorišćenja uređaja (zimski pauza), pridržavajte se i sledećih uputstava:

- Pažljivo očistite sve spoljne delove uređaja.
- Ispraznite rezervoar za gorivo i karburator.

- Dobro nauljite, tj. podmažite sve pokretne delove.
- Odvrnite svećicu (pogledajte priručnik motora sa unutrašnjim sagorevanjem) i dolijte pribl. 3 cm³ motornog ulja u motor kroz otvor svećice. Okrenite motor sa unutrašnjim sagorevanjem nekoliko puta bez svećice (povucite užu startera).



Opasnost od požara!

Zbog opasnosti od požara, utikač za svećice držite dalje od otvora za svećice.

- Ponovo zavrnite svećicu (pogledajte priručnik motora sa unutrašnjim sagorevanjem).
- Zamenite ulje (pogledajte priručnik motora sa unutrašnjim sagorevanjem).
- Prekrijte motor sa unutrašnjim sagorevanjem i uređaj čuvajte u normalnom položaju.

13. Transport

13.1 Transport motokultivatora



Opasnost od povreda!

Vodite računa o bezbednosnim upozorenjima iz poglavlja „Za vašu bezbednost“ (⇒ 4.), a posebno o onima iz odeljka „Transport“ (⇒ 4.4).

Pre transporta isključite motor sa unutrašnjim sagorevanjem, izvucite utikač za svećice i obucite odgovarajuću zaštitnu odeću (zaštitne cipele, rukavice, kombinezon i pokrijte ruke i noge).
Vodite računa o težini! (⇒ 18.)

1 Vučenje ili guranje motokultivatora:

- Postavite kočioni zubac u najviši položaj. (⇒ 11.5)
- Rasklopite transportnu konstrukciju. (⇒ 11.4)
- Motokultivator držite za obe ručke (1) i nagnite prema pozadi tako da uređaj stoji na transportnim točkovima.
- Polako (brzinom hoda) vucite ili gurajte motokultivator.
Ako je podloga glatka i ravna, uređaj treba gurati, a ako je neravna, treba ga vući.



Opasnost od povreda!

Zbog velike težine uređaja, pri transportu preko stepenica, prelaza, kosih rampi i drugih uzvišenja potreban je poseban oprez. Korisnik uvek mora biti iznad uređaja, kako bi se izbeglo da ga uređaj pregazi u slučaju gubitka kontrole – to znači da uređaj treba gurati naniže, odnosno povlačiti naviše preko prelaza i nizbrdica. Uređaj gurajte, odnosno povlačite preko maksimalno 2 do 3 stepenika. Ako se prelazi preko više stepenika, motokultivator prenesite uz pomoć još jedne osobe.

2 Podizanje i nošenje motokultivatora:

- Proveriti da li je gornji deo upravljača dobro fiksiran.
- Motokultivator podižite i nosite uvek zajedno s još jednom osobom i uvek održavajte dovoljno rastojanje do zvezdi za seckanje.
Mesta za držanje:
Ručke (1) i ručka za nošenje (2)

3 Motokultivator transportujte na utovarnoj površini:

- Motokultivator uvek transportujte u **uspravnom** položaju – na transportnoj konstrukciji i zvezdama za seckanje. Uređaj nikad ne spuštajte bočno.
- Radi stabilnosti rasklopite transportnu konstrukciju (⇒ 11.4) i montirajte zvezde za seckanje (⇒ 7.7), (⇒ 7.8).
- Motokultivator osigurajte od klizanja i privežite ga za utovarnu površinu pomoću užadi ili kaiševa.
Tačke za privezivanje:
Osovina transportne konstrukcije (3) i osovine zvezdi za seckanje (4).

14. Zaštita životne sredine



Ambalaža, uređaj i dodatni pribor proizvedeni su od materijala koji se može reciklirati i treba ih odlagati na odgovarajući način.

Odvojeno i ekološki prihvatljivo odlaganje ostataka materijala povećava mogućnost ponovnog korišćenja iskoristivih materijala. Iz tog razloga, nakon isteka uobičajenog veka upotrebe uređaj treba odneti na mesto za prikupljanje iskoristivog materijala.

14.1 Odlaganje

Uvek odlažite staro ulje (motorno ulje, menjačko ulje) i gorivo na propisan način.

Onesposobite motor sa unutrašnjim sagorevanjem pre odlaganja. U tu svrhu uklonite kabl za paljenje, ispraznite rezervoar i ispuštite motorno ulje.

Opasnost od povreda na zvezdama za seckanje!

Stari baštenski motokultivator nikada ne ostavljajte bez nadzora. Osigurajte da uređaj i zvezde za seckanje budu uskladišteni izvan dometa dece.

15. Smanjivanje istrošenosti i izbegavanje oštećenja

Važne napomene za održavanje i negu grupe proizvoda

Benzinski motokultivatori (STIHL MH)

Kompanija STIHL ne preuzima bilo kakvu odgovornost za materijalnu štetu i povrede osoba koje nastanu usled nepoštovanja napomena u uputstvu za rukovanje, a posebno onih koje se odnose na bezbednost, rukovanje i održavanje ili usled korišćenja nedozvoljenih ugradnih uređaja ili rezervnih delova.

Molimo vas da se obavezno pridržavate sledećih važnih napomena radi izbegavanja nastanka štete ili prekomernog habanja vašeg STIHL uređaja:

1. Potrošni delovi

Pojedini delovi STIHL uređaja se troše i tokom pravilne upotrebe i, u zavisnosti od vrste korišćenja i njegovog trajanja, moraju da se pravovremeno zamene.

U to se između ostalog ubrajaju i:

- klinasti remen
- zvezda za seckanje
- kočioni zubac.

2. Pridržavanje uputstava iz ovog uputstva za upotrebu

Korišćenje, održavanje i skladištenje STIHL uređaja mora da se vrši pažljivo, na način koji je naveden u uputstvu za upotrebu. Korisnik će biti odgovoran za sve štete koje nastanu usled nepoštovanja bezbednosnih uputstava, kao i uputstava za rukovanje i održavanje.

To se posebno odnosi na:

- nenamensku upotrebu uređaja.
- upotrebu pogonskih goriva koje nije odobrila kompanija STIHL (maziva, benzin, motorno ulje, pogledajte uputstvo za upotrebu motora sa unutrašnjim sagorevanjem).
- izvršene izmene na uređaju, koje nije odobrila kompanija STIHL.
- upotrebu ugradnih delova, ugradnih uređaja ili reznih alata, koje nije odobrila kompanija STIHL.
- korišćenje proizvoda na sportskim ili takmičarskim manifestacijama.
- oštećenja koja su nastala kao posledica nastavka korišćenja uređaja sa neispravnim delovima.

3. Radovi na održavanju

Svi radovi navedeni u odeljku „Održavanje“ moraju se redovno sprovesti.

Ukoliko korisnik nije u stanju da samostalno obavi radove na održavanju, treba da za to zaduži ovlašćenog distributera.

Kompanija STIHL preporučuje da radove na održavanju i popravke obavljate kod ovlašćenog STIHL distributera.

Ovlašćenim STIHL distributerima redovno se nude obuke i dostavljaju tehničke informacije.

Korisnik će biti odgovoran za oštećenja do kojih može doći ukoliko se ovi radovi ne obavljaju.

U to se, između ostalog, ubrajaju:

- korozija i druga oštećenja usled neadekvatnog skladištenja.
- šteta nastala na uređaju usled upotrebe rezervnih delova slabijeg kvaliteta.
- šteta nastala usled neblagovremenog ili nedovoljnog održavanja tj. šteta usled radova na održavanju i popravki koje nisu vršene u servisnim radionicama ovlašćenih distributera.

16. Uobičajeni rezervni delovi

Preklopna rascepkica (zvezde za seckanje):
9396 021 3785

MH 445, MH 445 R

Dodatak za kopanje u celini unutra levo:
6241 710 0200

Dodatak za kopanje u celini unutra desno:
6241 710 0205

Dodatak za kopanje u celini spolja levo:
6241 710 0210

Dodatak za kopanje u celini spolja desno:
6241 710 0215

MH 560, MH 585, MH 685

Dodatak za kopanje u celini unutra levo:
6241 710 0220

Dodatak za kopanje u celini unutra desno:
6241 710 0225

MH 585, MH 685

Dodatak za kopanje u celini spolja levo:
6242 710 0210

Dodatak za kopanje u celini spolja desno:
6242 710 0215

17. EC Izjava proizvođača o usaglašenosti

17.1 Benzinske freze STIHL MH 445.0, MH 445.0 R, MH 560.0, MH 585.0, MH 685.0

STIHL Tirol GmbH
Hans Peter Stihl-Straße 5
6336 Langkampfen
Austrija

izjavljuje pod isključivom odgovornošću da je

- vrsta: Benzinska freza
- fabrička marka: STIHL
- tip: MH 445.0, MH 445.0 R, MH 560.0, MH 585.0, MH 685.0
- Serijski broj: 6241

u skladu sa relevantnim odredbama Direktiva 2000/14/EC, 2006/42/EC, 2014/30/EU i 2011/65/EU, kao i da je dizajnirana i proizvedena u skladu sa verzijama sledećih standarda, važećih za datum proizvodnje: EN 709 i EN 14982 (po potrebi).

Naziv i adresa institucije koja je obavila kontrolu:
TÜV Rheinland LGA Products GmbH
Tillystraße 2
D-90431 Nürnberg

Utvrđivanje izmerenog i garantovanog nivoa zvučne snage izvršeno je prema direktivi 2000/14/EC, aneks VIII.

MH 445.0, MH 445.0 R

- Izmereni nivo zvučne snage: 92 dB(A)

- Garantovani nivo zvučne snage:
93 dB(A)

MH 560.0, MH 585.0

- Izmereni nivo zvučne snage:
91,3 dB(A)
- Garantovani nivo zvučne snage:
93 dB(A)

MH 685.0

- Izmereni nivo zvučne snage:
92,4 dB(A)
- Garantovani nivo zvučne snage:
93 dB(A)

Tehnička dokumentacija je sastavni deo potvrde o tehničkoj ispravnosti proizvoda STIHL Tirol GmbH.

Godina proizvodnje i broj mašine navedeni su ???na benzinskoj frezi.

Langkampfen, 02.11.2020

STIHL Tirol GmbH

Ovlašćeni predstavnik



Matthias Fleischer, direktor sektora za istraživanje i razvoj

Ovlašćeni predstavnik



Sven Zimmermann, direktor sektora za kvalitet

18. Tehnički podaci

MH 445.0 / MH 445.0 R / MH 560.0 / MH 585.0 / MH 685.0

Serijski broj	6241
Vrsta motora sa unutrašnjim sagorevanjem	4-taktni motor sa unutrašnjim sagorevanjem
Uređaj za startovanje motora	Uže za startovanje
Prema smernici 2000/14/EC:	
Garantovani nivo zvučne snage L_{WA_d}	93 dB(A)

MH 445.0 / MH 445.0 R

Tip motora	B&S Series 550 EX OHV RS
Zapremina	140 ccm
Nominalna snaga pri nominalnom broju obrtaja	2,2 - 3100 kW - o/min
Rezervoar za gorivo	0,8 l
Alat	4 elementa za okopavanje, 2 zaštitne ploče za biljke
Prečnik dodatka za kopanje	30 cm
Radni broj obrtaja dodatka za kopanje pri kontrolnom broju obrtaja	124 o/min
Kontrolni broj obrtaja	3100 o/min
Prema smernici 2006/42/EC:	

MH 445.0 / MH 445.0 R

Nivo zvučnog pritiska na radnom mestu

L_{pA}	80 dB(A)
Odstupanje K_{pA}	2 dB(A)

Navedena karakteristična vrednost vibracija prema EN 12096:

Izmerena vrednost a_{hw}	5,50 m/s ²
Odstupanje K_{hw}	2,20 m/s ²
Mereno prema EN 20643	
Pogon MH 445.0	1 brzina za hod unapred
Pogon MH 445.0 R	1 brzina za hod unapred 1 brzina za hod unazad
Težina	36 kg / 37 kg

MH 560.0/ MH 585.0

Tip motora	Kohler HD675
Zapremina	149 ccm
Nominalna snaga pri nominalnom broju obrtaja	2,3 - 3000 kW - o/min
Rezervoar za gorivo	1,4 l
Alat MH 560.0	2 elementa za okopavanje, 2 zaštitne ploče za biljke
Alat MH 585.0	4 elementa za okopavanje, 2 zaštitne ploče za biljke
Prečnik dodatka za kopanje	32 cm
Radni broj obrtaja dodatka za kopanje pri kontrolnom broju obrtaja	120 o/min
Kontrolni broj obrtaja	3000 o/min

MH 560.0/ MH 585.0

Prema smernici 2006/42/EC:

Nivo zvučnog pritiska
na radnom mestu

L_{pA} 79 dB(A)

Odstupanje K_{pA} 2 dB(A)

Navedena karakteristična vrednost
vibracija prema EN 12096:

Izmerena vrednost

a_{hw} 5,00 m/s²

Odstupanje K_{hw} 2,50 m/s²

Mereno prema EN 20643

Pogon 1 brzina za hod
unapred
1 brzina za hod
unazad

Težina 41 kg / 44 kg

MH 685.0

Tip motora Kohler HD775

Zapremina 173 ccm

Nominalna snaga pri
nominalnom broju
obrtaja 2,9 - 3200
kW - o/min

Rezervoar za gorivo 1,4 l

Alat 4 elementa za
okopavanje, 2
zaštitne ploče za
biljke

Prečnik dodatka za
kopanje 32 cm

Radni broj obrtaja
dodatka za kopanje
pri kontrolnom broju
obrtaja 128 o/min

Kontrolni broj obrtaja 3200 o/min

Prema smernici 2006/42/EC:

Nivo zvučnog pritiska
na radnom mestu

L_{pA} 80 dB(A)

MH 685.0

Odstupanje K_{pA} 2 dB(A)

Navedena karakteristična vrednost
vibracija prema EN 12096:

Izmerena vrednost

a_{hw} 6,00 m/s²

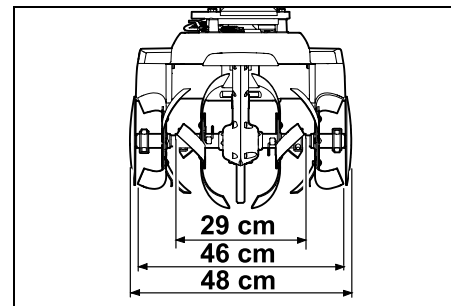
Odstupanje K_{hw} 2,40 m/s²

Mereno prema EN 20643

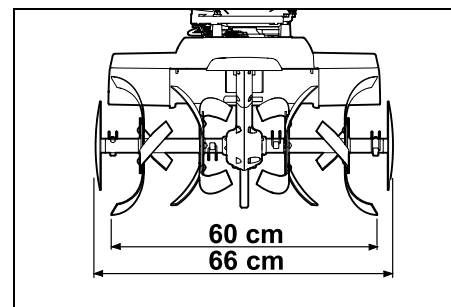
Pogon 1 brzina za hod
unapred
1 brzina za hod
unazad

Težina 46 kg

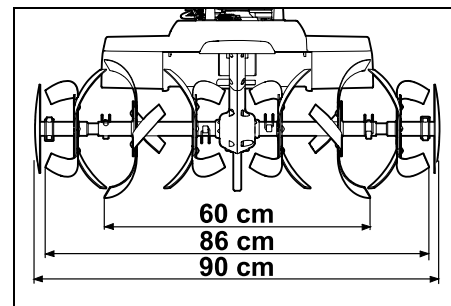
MH 445.0, MH 445.0 R:



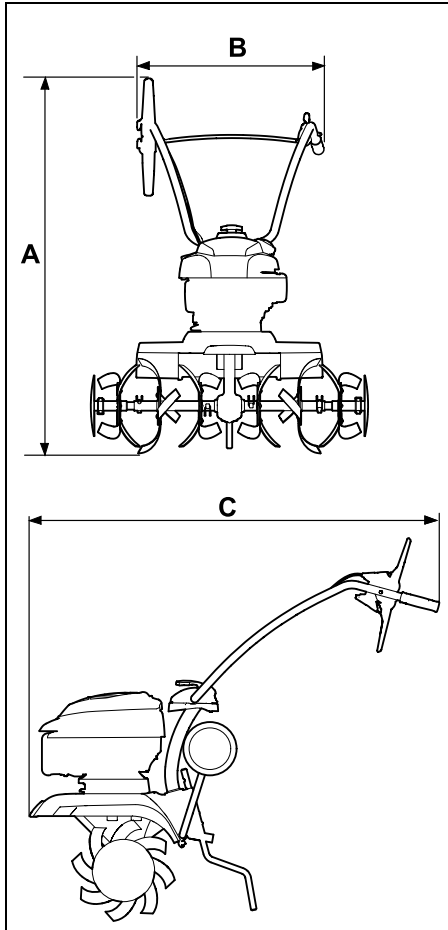
MH 560.0:



MH 585.0, MH 685.0:



MH 445.0, MH 445.0 R, MH 560.0,
MH 585.0, MH 685.0:



MH 445.0, MH 445.0 R:

A = 118 cm
B = 57 cm
C = 122 cm

MH 560.0, MH 585.0, MH 685.0:

A = 119 cm
B = 57 cm
C = 122 cm

18.1 REACH

REACH predstavlja uredbu EZ koja uređuje pitanja registracije, evaluacije, autorizacije i restrikcije u upotrebi hemikalija.

Informacije o ispunjavanju REACH uredbe (EZ) br. 1907/2006 su navedene pod www.stihl.com/reach.

19. Traženje grešaka

✘ Po potrebi potražite distributera. Kompanija STIHL vam preporučuje ovlašćenog STIHL distributera.

📖 Pogledajte uputstvo za upotrebu motora sa unutrašnjim sagorevanjem.

Smetnja:

Motor sa unutrašnjim sagorevanjem se ne pokreće.

Mogući uzrok:

- Poluga za podešavanje gasa je u položaju za zaustavljanje
- Nema goriva u rezervoaru; vodovi za gorivo su zapešani
- Loše, zaprljano ili staro gorivo u rezervoaru
- Utikač za svećice je otkačen od svećice; kabl za pokretanje je loše pričvršćen za utikač
- Svećica je čađava ili oštećena; pogrešan razmak između elektroda
- Filter za vazduh je zaprljan
- Motor sa unutrašnjim sagorevanjem je zagušen zbog više pokušaja pokretanja

Pomoć:

- Postavite polugu za podešavanje gasa u položaj za startovanje (⇒ 8.1)

- Dolijte gorivo (⇒ 7.15); očistite vodove za gorivo (✘)
- Uvek koristite sveže gorivo poznate marke (bezolovni benzin) (⇒ 7.15); očistite karburator ()
- Postavite utikač za svećice (🔧); proverite spoj između kabla za pokretanje i utikača (✘)
- Očistite/zamenite svećicu (🔧), (✘); podesite razmak između elektroda (✘)
- Očistite/zamenite filter za vazduh (✘)
- Odvrtite svećicu i osušite je, gurnite ručicu za gas u položaj za zaustavljanje i više puta povucite uže startera dok je svećica izvučena (🔧)

Smetnja:

Otežano pokretanje ili smanjena snaga motora sa unutrašnjim sagorevanjem

Mogući uzrok:

- Voda u rezervoaru za gorivo ili u karburatoru; karburator je začepljen
- Zaprljan je rezervoar za gorivo
- Filter za vazduh je zaprljan
- Svećica je čađava

Pomoć:

- Ispraznite rezervoar za gorivo, očistite vodove za gorivo i karburator (✘)
- Očistite rezervoar za gorivo (✘)
- Očistite/zamenite filter za vazduh (🔧), (✘)
- Očistite/zamenite svećicu (🔧), (✘)

Smetnja:

Motor sa unutrašnjim sagorevanjem se pregreva

Mogući uzrok:

- Otvori za hlađenje su zaprljani
- Premali nivo ulja u motoru sa unutrašnjim sagorevanjem

- Površina motora sa unutrašnjim sagorevanjem je prekrivena zemljom

Pomoć:

- Očistite rashladna rebra (⇒ 12.2)
- Dolijte motorno ulje (⇒ 7.15)
- Uklonite zemlju sa motora sa unutrašnjim sagorevanjem

Smetnja:

Motor sa unutrašnjim sagorevanjem nemirno radi

Mogući uzrok:

- Filter za vazduh je zaprljan

Pomoć:

- Očistite/zamenite filter za vazduh (📖), (⚡)

Smetnja:

Pojavljuje se gust dim

Mogući uzrok:

- Previsok nivo ulja
- Filter za vazduh je zaprljan

Pomoć:

- Prilagodite količinu ulja (📖)
- Očistite/zamenite filter za vazduh (📖), (⚡)

Smetnja:

Jake vibracije tokom rada

Mogući uzrok:

- Odvrnuti vijci za pričvršćivanje motora

Pomoć:

- Pritegnite vijke za pričvršćivanje motora (⚡)

Smetnja:

Smanjena radna snaga

Mogući uzrok:

- Pogrešno montirane zvezde za seckanje
- Pohabane zvezde za seckanje
- Pogrešno podešen kočioni zubac

Pomoć:

- Pravilno montirajte zvezde za seckanje (⇒ 7.7), (⇒ 7.8)
- Zamenite zvezde za seckanje (⚡)
- Podesite kočioni zubac (⇒ 11.5)

Smetnja:

Nema radne snage

Mogući uzrok:

- Nema preklopne rascepeke na pogonskom vratilu

Pomoć:

- Proverite pričvršćenost zvezdi za seckanje na pogonskom vratilu (⇒ 7.7), (⇒ 7.8)

Smetnja:

Menjač pravi buku

Mogući uzrok:

- Pogrešan nivo menjačkog ulja

Pomoć:

- Proverite nivo menjačkog ulja (⚡)

Smetnja:

Pogonsko vratilo se ne okreće kada se pritisne poluga startera

Mogući uzrok:

- Neispravno uže za startovanje

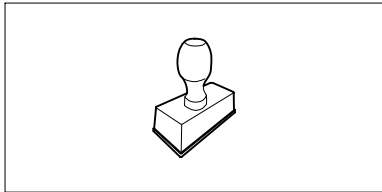
- Pohaban pogonski remen

Pomoć:

- Proverite, odnosno zamenite uže za startovanje (⚡)
- Zamenite remen (⚡)

20. Plan servisiranja

20.1 Potvrda primopredaje

Model:	_____
Serjski broj:	<input type="text"/> <input type="text"/> <input type="text"/> <input type="text"/> <input type="text"/> <input type="text"/> <input type="text"/> <input type="text"/> <input type="text"/> <input type="text"/>
Datum:	<input type="text"/> <input type="text"/> <input type="text"/> <input type="text"/> <input type="text"/> <input type="text"/>
	
Sledeći servis	
Datum:	<input type="text"/> <input type="text"/> <input type="text"/> <input type="text"/> <input type="text"/> <input type="text"/>

20.2 Potvrda servisiranja



Ovo uputstvo za upotrebu prilikom radova na održavanju dostavite ovlašćenom STIHL distributeru. On će u odštampanim poljima potvrditi da su servisni radovi izvršeni.

Servisiranje obavljeno na dan

Datum sledećeg servisiranja

Cijenjeni kupci!

hvala vam što ste se odlučili za proizvod tvrtke STIHL. Mi razvijamo i proizvodimo svoje proizvode prema vrhunskim standardima kvalitete, u skladu s potrebama naših klijenata. Tako nastaju vrhunski pouzdani proizvodi prikladni i za najzahtjevnije radove.

STIHL znači i vrhunsku kvalitetu servisa. Naše ovlaštene trgovine jamče stručno savjetovanje i upute, kao i sveobuhvatnu tehničku pomoć.

Zahvaljujemo vam na povjerenju i želimo vam puno zadovoljstva pri radu s proizvodom STIHL.

Dr. Nikolas Stihl

VAŽNO! PRIJE UPOTREBE PROČITATI I POHRANITI.

1. Sadržaj

O ovim uputama za uporabu	280
Općenito	280
Naputci uz čitanje ovih uputa za uporabu	280
Opis uređaja	281
Za vašu sigurnost	281
Općenito	281
Punjenje goriva – rukovanje benzinom	282
Odjeća i oprema	282
Transport uređaja	283
Prije rada	283
Za vrijeme rada	284
Održavanje i popravci	286
Skladištenje kod duljeg nekorištenja	287
Odlaganje	287
Opis simbola	287
Opseg isporuke	288
Priprema uređaja za rad	288
Montažne upute	288
Montaža podvozja	289
Montaža kočnog zupca	289
Montaža upravljača	289
Rasklapanje upravljača	290
Montaža zaštitnih letvica	290
Montaža zvjezdastih noževa za okopavanje MH 445, MH 445 R	290
Montaža zvjezdastih noževa za okopavanje MH 445, MH 585, MH 685	291
Montaža diska za zaštitu biljaka	291
Montaža poluge za pogon	291
Polaganje pogonskog užeta	292
Ovješeno pogonskog užeta	292
Polaganje i montaža užeta gasa	292
Fiksiranje pokretačkog užeta na upravljaču	292
Gorivo i motorno ulje	292
Upravljački elementi	293
Poluga za podešavanje gasa	293
Poluga voznog pogona	293
Sigurnosne naprave	294
Blokada poluge za pogon	294
Zaštitne naprave	294
Napomene uz rad	294
Radno područje rukovatelja	294
Radni položaj uređaja	294
Kombinacije zvjezdastih noževa za okopavanje	294
Idealan položaj tijela za vrijeme rada	294
Pokretanje uređaja	295
Pripreme mjere	295
Podešavanje visine gornjeg dijela upravljača	295
Bočno namještanje upravljača	295
Otklapanje i preklapanje transportnog voznog postolja	295
Namještanje kočnog zupca	295
Pokretanje motora s unutarnjim izgaranjem	296
Gašenje motora s unutarnjim izgaranjem	296
Uključiti i otpustiti vozni pogon (prema naprijed)	296
Uključiti i otpustiti vozni pogon (prema natrag) (MH 445 R, MH 560, MH 585, MH 685)	296
Okopavanje	296
Održavanje	297

Demontaža zvjezdastih noževa za kopanje	297
Čišćenje uređaja	297
Motor s unutarnjim izgaranjem	298
Servisni intervali	298
Skladištenje i mirovanje (zimska stanka)	298
Transport	299
Transport motorne kopačice:	299
Zaštita okoliša	299
Zbrinjavanje	299
Minimaliziranje trošenja i izbjegavanje šteta	300
Uobičajeni rezervni dijelovi	300
EU izjava o usklađenosti	301
Motorna kopačica STIHL	
MH 445.0, MH 445.0 R, MH 560.0, MH 585.0, MH 685.0	301
Servisa - Rezervni dijelovi	301
Adresa glavne uprave tvrtke STIHL	301
Adrese distributera STIHL	301
Adrese uvoznika STIHL	302
Tehnički podaci	302
REACH	304
Traženje pogrešaka	304
Servisni plan	305
Potvrda predaje	305
Potvrda servisa	305

2. O ovim uputama za uporabu

2.1 Općenito

Ove su upute za uporabu **originalne upute** proizvođača u smislu EU direktive 2006/42/EC.

STIHL neprestano radi na razvoju svojih proizvoda pa stoga zadržava pravo na izmjene u oblikovanju, tehničkoj izvedbi i opremi uređaja.

Stoga se na temelju podataka i slika iz ovih uputa ne mogu postavljati nikakvi zahtjevi.

U ovim uputama za uporabu mogu biti opisani modeli koji nisu dostupni u svakoj državi.

Ove upute za uporabu zaštićene su zakonom o autorskim pravima. Sva su prava zadržana, osobito pravo na umnožavanje, prijevod i obrađivanje elektroničkim sustavima.

2.2 Napatci uz čitanje ovih uputa za uporabu

Slike i tekstovi opisuju određene korake rukovanja.

U ovim uputama za uporabu objašnjeni su svi slikovni simboli koji se nalaze na uređaju.

Smjer gledanja:

Smjer gledanja s obzirom na uporabu pojmova „**lijevo**“ i „**desno**“ u ovim uputama:

Korisnik stoji iza uređaja i gleda prema naprijed u smjeru kretanja.

Referenca na poglavlja:

Reference na odgovarajuća poglavlja i potpoglavlja za daljnja objašnjenja označene su strelicom. Sljedeći primjer prikazuje referencu na poglavlje: (⇒ 4.)

Označavanje tekstualnih odlomaka:

Opisane upute mogu biti označene kao u sljedećim primjerima.

Postupci koji od korisnika zahtijevaju određeni zahvat:

- Otpustite vijak (1) ključem za vijke, aktivirajte polugu (2) ...

Opća nabranja:

- Uporaba proizvoda u sportske ili natjecateljske svrhe

Tekstovi s dodatnim značenjem:

Kako bi se tekstualni odlomci s dodatnim značenjem posebno istaknuli u ovim uputama za uporabu, označeni su jednim od dolje opisanih simbola.



Opasnost!

Opasnost od nezgoda i teških ozljeda. Treba slijediti određeni način ponašanja ili odustati od određenog načina ponašanja.



Upozorenje!

Opasnost od ozljeda. Određeno ponašanje sprječava moguće ili vjerojatne ozljede.



Oprez!

Lake ozljede, odn. materijalne štete koje se mogu spriječiti određenim ponašanjem.



Napomena

Informacija koja će vam omogućiti bolju iskorištenost uređaja i izbjegavanje mogućih pogrešaka pri uporabi.

Tekstovi povezani sa slikom:

Slike koje objašnjavaju uporabu uređaja možete pronaći na samom početku ovih uputa za uporabu.

Simbol kamere služi za povezivanje slika na stranicama sa slikama i dotičnog dijela teksta u uputama za uporabu.



3. Opis uređaja



- 1 Poluga za pogon (prema naprijed)
- 2 Gornji dio upravljača
- 3 Zatezna poluga
- 4 Pokretačko uže
- 5 Motor s unutarnjim izgaranjem
- 6 Utikač svjeće
- 7 Zaštitna letvica
- 8 Disk za zaštitu biljaka
- 9 Zvezdasti noževi za okopavanje
- 10 Ručka za nošenje
- 11 Zaštitna letvica
- 12 Transportno vozno postolje
- 13 Kočni zubac
- 14 Poluga za deblokiranje (transportno vozno postolje)
- 15 Svornjak za deblokadu (kočni zubac)
- 16 Drška
- 17 Poluga za podešavanje gasa
- 18 MH 445 R, MH 560, MH 585, MH 685: Poluga za pogon (unatrag)
- 19 Natpisna pločica sa serijskim brojem stroja

4. Za vašu sigurnost

4.1 Općenito



Pri radu s uređajem morate se bezuvjetno pridržavati ovih propisa za zaštitu od nezgode.



Prije prvog puštanja u rad pažljivo pročitajte upute za uporabu. Sačuvajte upute za uporabu za kasnije korištenje.

Obratite pozornost na napomene za rukovanje i održavanje koje možete naći u odvojenim uputama za uporabu motora s unutarnjim izgaranjem.

Ove mjere opreza nužne su za vašu sigurnost, ali popis svih mjera nije konačan. Uvijek rabite uređaj razumno i odgovorno te imajte na umu da je korisnik odgovoran za nezgode koje uzrokuju ozljede osoba ili materijalne štete.

Upoznajte se s upravljačkim elementima i dijelovima za namještanje, kao i s pravilnom uporabom uređaja. Korisnik ponajprije mora znati kako može brzo zaustaviti radni alat i motor s unutarnjim izgaranjem uređaja.

Uređaj smiju koristiti samo osobe koje su pročitale upute za uporabu i koje su upoznate s rukovanjem uređajem. Prije prvog puštanja u rad korisnik se mora potruditi za stručno i praktično poučavanje. Korisniku prodavač ili drugo stručno lice mora pojasniti kako se uređaj rabi.

Pri tom poučavanju korisniku treba posebice staviti do znanja da je za rad s uređajem nužna osobita pozornost i koncentracija.

Čak i ako propisno upotrebljavate uređaj, uvijek ostaju preostale opasnosti.



Opasnost od gušenja!

Ako se djeca igraju s materijalom za pakiranje, prijeti opasnost od gušenja. Materijal za pakiranje obavezno držite podalje od djece.

Uređaj, uključujući sve priključke, smijete dati na korištenje odnosno iznajmljivati samo osobama koje su upoznate s ovim

modelom i njegovim rukovanjem. Upute za uporabu dio su uređaja i uvijek moraju biti priložene.

Upotrebljavajte uređaj samo kad ste odmorni i u dobroj psiho-fizičkoj kondiciji. Ako ste narušenog zdravlja, trebali biste se konzultirati s liječnikom je li rad s uređajem moguć. Strojem se ne smije rukovati nakon uzimanja alkohola, droga ili lijekova koji ograničavaju sposobnost reagiranja.

Osigurajte da je korisnik tjelesno, osjetilno i duševno sposoban upravljati i raditi s uređajem. Ako je korisnik tjelesno, osjetilno ili duševno ograničen za obavljanje tog zadatka, smije raditi s uređajem samo pod nadzorom ili prema uputama odgovorne osobe.

Osigurajte da je korisnik punoljetan ili da se obučava uz nadzor u skladu s državnim propisima.

Pozor – opasnost od nezgode!

Motorna kopačica je namijenjena samo za obradu tla, a služi za sjetvu, obradu zemlje ili negu biljaka. Smije se upotrebljavati samo na način kako je opisan u ovim uputama za uporabu – nije dozvoljena uporaba u druge svrhe! Drukčija primjena nije dozvoljena i može biti opasna. Posljedica neprikladne upotrebe moglo bi biti ozljeđivanje ili oštećenje uređaja.

Kako fizičko zdravlje korisnika ne bi bilo ugroženo, motorna kopačica se ne smije koristiti za sljedeće radove (nepotpuno nabrojane):

- za rad na krovnim biljkama i žardinjerama na balkonima,
- za sjeckanje i usitnjavanje obrezanih ostataka grana stabala i živice.

S uređajem se ne smiju transportirati predmeti, životinje ili osobe, posebice djeca.

Iz sigurnosnih je razloga svaka promjena na uređaju, izuzev stručne nadogradnje pribora koju je dopustio STIHL, zabranjena i to dovodi do ukidanja prava na jamstvo. Informaciju o odobrenom priboru možete dobiti kod STIHL prodavača.

Svaka je manipulacija na uređaju koja povećava snagu ili broj okretaja motora s unutarnjim izgaranjem odnosno elektromotora zabranjena.

Kod uporabe na javnim mjestima, parkovima, sportskim igralištima, ulici i u poljoprivrednim i šumarskim pogonima potreban je poseban oprez.



Pozor! Opasnost po zdravlje zbog vibracija! Pretjerana izloženost vibracijama može uzrokovati oštećenje krvožilnog

i živčanog sustava, naročito kod ljudi s problemima s krvotokom. Obratite se svom liječniku, ako nastupe simptomi koje je moglo uzrokovati izlaganje vibracijama. Takvi simptomi uglavnom se javljaju u prstima, rukama ili ručnim zglobovima, a u njih se ubrajaju (nepotpuni popis):

- gubitak osjeta,
- bolovi,
- slabost u mišićima,
- promijenjena boja kože,
- neugodni trnci.

Držite upravljač tijekom rada čvrsto ali ne prenapeto objema rukama na predviđenim mjestima.

Radno vrijeme isplanirajte tako da se izbjegnju veća opterećenja tijekom duljeg vremenskog razdoblja.

Kod uporabe motorne kopačice planirajte stanke u radu i izbjegavajte vremenski predugačku uporabu uređaja, jer dugotrajne vibracije mogu naškoditi zdravlju.

4.2 Punjenje goriva – rukovanje benzinom



Opasnost po život!

Benzin je otrovan i lako zapaljiv.

Benzin čuvajte samo u odgovarajućim i ispitanim spremnicima (kanistrima). Poklopce za zatvaranje spremnika treba pravilno zavrnuti i čvrsto pritegnuti. Neispravni čepovi se zbog sigurnosnih razloga moraju zamijeniti.

Nikada nemojte upotrebljavati boce od pića ili slično za uklanjanje ili skladištenje pogonskih tvari poput goriva. Osobe, posebice djeca, mogli bi posegnuti za takvim bocama i piti iz njih.



Benzin držite podalje od iskri, otvorenog plamena, trajnog plamena, izvora topline i drugih zapaljivih izvora. Ne pušiti!

Gorivo puniti samo na otvorenom, a za vrijeme ulijevanja goriva nemojte pušiti.

Prije punjenja goriva isključite motor s unutarnjim izgaranjem i ostavite ga da se ohladi.

Benzin treba uliti prije pokretanja motora s unutarnjim izgaranjem. Dok motor s unutarnjim izgaranjem radi ili ako je uređaj vruć, ne smijete otvarati zatvarač spremnika niti dolijevati benzin.

Nemojte prekomjerno napuniti spremnik za gorivo!

Spremnik za gorivo uvijek puniti samo do donjeg ruba grla za punjenje kako bi gorivo imalo prostora za širenje.

Dodatno obratite pozornost na informacije u uputama za uporabu motora s unutarnjim izgaranjem.



Ako se benzin prelije, motor s unutarnjim izgaranjem pokrenite tek nakon što ste očistili benzinom onečišćenu površinu. Svaki pokušaj paljenja treba izbjegavati sve dok benzin ne ispari (obrišite ga suhom krpom).

Uvijek treba obrisati proliveno gorivo.

Ako benzin dospije na odjeću, ona se mora zamijeniti.

Nikada nemojte skladištiti uređaj unutar zgrade ako u spremniku ima benzina. Benzinske pare koje nastaju mogu doći u dodir s otvorenim plamenom ili iskrom i zapaliti se.

Ako treba isprazniti spremnik, učinite to na otvorenome.

4.3 Odjeća i oprema



Tijekom rada uvijek nosite čvrste cipele sa stabilnim đonom. Nikada nemojte raditi bosu ili, primjerice, u sandalama.



Prilikom održavanja i čišćenja, kao i prilikom transportiranja uređaja, nosite čvrste rukavice, a dugačku kosu svežite i zaštitite (maramom, kapom i sl.).



Pri radu s uređajem nosite prikladnu i pripijenu odjeću, tj. kombinezon, a ne radnu kutu. Tijekom rada s uređajem

nemojte nositi šal, kravatu, nakit, obješene trake ili vrpce i slične odjevne predmete koji ne prijanjaju uz tijelo.

Dijelovi koji se okreću, mogu dotaknuti ili zahvatiti kosu, odjeću ili dijelove odjeće. To može dovesti do teških ozljeda.

4.4 Transport uređaja

Radite samo u zaštitnim rukavicama kako biste izbjegli ozljede na oštrim rubovima i vrućim dijelovima uređaja.

Nemojte transportirati uređaj dok motor s unutarnjim izgaranjem radi. Prije transporta isključite motor s unutarnjim izgaranjem, pričekajte da se radni alat potpuno zaustavi i izvucite utikač svječiće.

Uređaj transportirajte samo kad je motor s unutarnjim izgaranjem hladan i kad u spremniku nema goriva.

Obratite pozornost na upute u poglavlju „Transport“. Tamo je opisano kako uređaj treba podizati, odn. vezati. (⇒ 13.)

Uređaj uvijek moraju nositi dvije osobe – obratite pozornost na točke za pridržavanje.

Koristite odgovarajuća pomagala za pretovar (utovarne rampe, podizne naprave).

Iz sigurnosnih razloga, pri transportu i utovaru ne smije se prekoračiti kut nagiba od 15°, posebno kod uporabe utovarnih rampi.

Na teretnoj platformi, uređaj i njegove prateće dijelove osigurajte dovoljno dimenzioniranim pričvrsnim sredstvima (remenje, užad itd.). Uređaj nikada nemojte transportirati neosiguran.

STIHL preporučuje da se motorna kopačica prevozi prikladnom prikolicom tj. na odgovarajućoj utovarnoj površini, a ne u unutarnjem prostoru vozila (npr. prostoru za prtljagu).

Prilikom transporta uređaja poštujujte lokalne zakonske propise, posebice one koji se odnose na sigurnost tereta kao i transport predmeta na utovarnoj površini.

4.5 Prije rada

Treba osigurati da s uređajem rade samo osobe koje poznaju upute za uporabu.

Prije pokretanja uređaja provjerite nepropusnost sustava za gorivo, posebno vidljivih dijelova kao što su npr. spremnik za gorivo, poklopac spremnika za gorivo, spojevi crijeva. Ako su utvrđena propuštanja ili oštećenja, nemojte pokretati motor s unutarnjim izgaranjem – **opasnost od požara!**

Uređaj je potrebno popraviti u ovlaštenom servisu prije ponovnog pokretanja.

Vodite računa o lokalno propisanim vremenima korištenja vrtnih uređaja s motorom s unutarnjim izgaranjem.

Prođite cijelo zemljište na kojem se koristi uređaj i uklonite svo veliko kamenje, drvlje, žice, kosti i ostala strana tijela koja bi uređaj tijekom rada mogao izbaciti u zrak.

Predmeti sakriveni u zemlji (prskalice za travnjake, stupovi, ventili za vodu, temelji, električni vodovi itd.) moraju se prije rada s uređajem jasno označiti i zaobići. Nikada nemojte prelaziti preko takvih stranih predmeta.

Prije uporabe uređaja zamijenite sve neispravne, kao i potrošene ili oštećene dijelove. Nečitke ili oštećene naljepnice s napomenama o opasnostima i

upozorenjima na uređaju morate zamijeniti novima. Rezervne naljepnice i sve druge rezervne dijelove možete nabaviti kod ovlaštenog STIHL trgovca.

Prije uporabe uređaja provjerite čvrst i siguran dosjed utikača svječića na svječićama.

Uređaj se smije upotrebljavati samo u stanju sigurnom za rad. Prije svakog stavljanja u pogon provjerite

- je li cijeli uređaj propisno montiran.
- nalaze li se sigurnosne naprave (npr. poluga voznog pogona, zaštitne letvice, zaštitni lim, zaštitni pokrovi, upravljač, zaštitna rešetka) u besprijekornom stanju te funkcioniraju li pravilno. Uređaj nikada ne upotrebljavajte ako nedostaju, oštećene su ili istrošene sigurnosne naprave.
- jesu li radni alati (zvjezdasti noževi za okopavanje) i pričvrtni vijci, rascjepke prisutni odn. istrošeni ili oštećeni (urezi, napuknuća). Zamijenite istrošene ili oštećene dijelove.
- jesu li radni alati (zvjezdasti noževi za okopavanje) sigurno i čvrsto montirani.
- funkcioniraju li poluge voznog pogona i imaju li laki hod.
- je li poklopac spremnika pravilno navrnut.
- nalazi li se spremnik goriva i poklopac spremnika u besprijekornom stanju,
- je li zaporni vijak za ulje pravilno navrnut.
- je li upotrijebljeni uređaj u potpunosti i propisno montiran. Svi dijelovi, koji se nalaze u opsegu isporuke pribora, moraju biti montirani odn. korišteni.

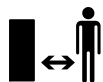
Po potrebi provedite sve nužne radove, odn. potražite ovlaštenog serviseru. STIHL preporučuje ovlaštenog STIHL trgovca.

Zaštitne letvice lijevo i desno prilagođene su na odgovarajuću radnu širinu i moraju biti uvijek propisno ugrađene. Ako se na modelima MH 445 i MH 445 R poveća radna širina zbog zvjezdastih noževa za okopavanje (STIHL pribor), potrebno je montirati i veće zaštitne letvice (opseg isporuke pribora).

Uređaj gurajte ili povlačite uz pomoć transportnih kotača do površine koju treba obraditi.

Prije puštanja u rad potrebno je ukloniti sve predmete s uređaja (alat, krpe itd.).

4.6 Za vrijeme rada



Udaljite treće osobe iz opasnog područja! Nipošto nemojte raditi s uređajem dok se u području opasnosti nalaze životinje ili osobe, naročito djeca.

Pozor! – Za vrijeme rada se predmeti poput zemlje, kamenja itd. izbacuje uvis odn. bočno.

Uređajem smije upravljati samo jedna jedina osoba. Dok radi motor s unutarnjim izgaranjem, rukovatelj se čitavo vrijeme mora nalaziti u radnom području. (⇒ 10.1)

Uređaj se tijekom rada nikada ne smije podizati, gurati ili vući za transportnu ručicu, zaštitni lim ili za neke druge dijelove uređaja osim ručki na upravljaču – a posebno to ne smije činiti druga osoba.

Sklopne i sigurnosne naprave montirane na uređaju ne smiju se skidati ili premošćivati. Posebice nemojte pričvršćivati polugu voznog pogona na gornji dio upravljača (npr. vezanjem).



Pozor – opasnost od ozljeda! Nemojte približavati ruke i noge rotirajućim dijelovima niti ih stavljati ispod njih. Uvijek se držite na sigurnoj udaljenosti koju nameću ručke upravljača. Sigurnosni razmak odgovara duljini propisno montiranog i otklopljenog upravljača – upravljač ne mijenjati i uređaj nikad ne pustiti u pogon s preklopljenim upravljačem.

Nikada nemojte pričvršćivati predmete na upravljač (npr. radnu odjeću).

Radite samo pri danjem svjetlu ili dobroj umjetnoj rasvjeti.

Ne radite s uređajem na kiši, nevremenu i posebice ako postoji opasnost od udara munje!

Zbog smanjene stabilnosti postoji povećana opasnost od nezgode. Treba raditi posebice oprezno da se ne biste poskliznuli. Ako je moguće, izbjegavajte uporabu uređaja na vlažnoj podlozi.

Uređaj s montiranim zvjezdastim noževima za okopavanje nemojte pokretati na asfaltiranim površinama, površinama s betonskim pločama itd.

Uređaj upotrebljavajte s posebnim oprezom kada radite u blizini padina, rubova terena, jama i nasipa. Posebno pazite da udaljenost od takvih opasnih mjesta bude dovoljno velika.

Ispušni plinovi:



Opasnost po život uslijed trovanja!

U slučaju mučnine, glavobolje, smetnji u vidu (npr. smanjivanje vidnog polja), slušnih smetnji, vrtoglavice, slabljenja sposobnosti koncentracije, odmah obustavite rad. Između ostalog, ovi simptomi mogu biti uzrokovani previsokom koncentracijom ispušnih plinova.



Uređaj proizvodi otrovne ispušne pare, čim je motor s unutarnjim izgaranjem uključen. Ti plinovi sadrže otrovni ugljični monoksid, plin bez boje i mirisa, kao i ostale štetne tvari. Nikada nemojte pokretati motor s unutarnjim izgaranjem u zatvorenim ili slabo prozračenim prostorima.

Obratite pozornost na smjer izlaženja ispušnih plinova iz otvora za ispušne plinove. Otvor za ispušne plinove nikada ne usmjeravajte prema osobama.

Pokretanje:

Uređaj pokrećite s oprezom i slijedeći upute u poglavlju „Pokretanje uređaja“ (⇒ 11.). Pokretanje uređaja sukladno ovim uputama smanjuje opasnost od ozljeda.

Opasnost od ozljeda!

Ako pokretačko uže naglo trzne natrag, ruke se tako brzo povlače prema motoru s unutarnjim izgaranjem da korisnik ne stigne ispušiti pokretačko uže iz ruku. Ovaj trzaj može dovesti do lomova kostiju, nagnječenja i uganuća.

Pazite da udaljenost nogu od radnih alata bude dovoljno velika.

Pri pokretanju uređaj ne smije biti nagnut.

Poluga voznog pogona ne smije se aktivirati prilikom pokretanja.

Rad na obroncima:

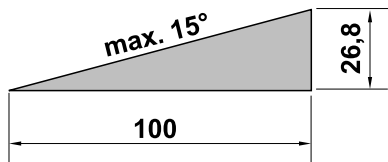
Na obroncima uvijek radite u poprečnom, nikada u uzdužnom smjeru.

Korisnik nikada ne smije stajati na padini ispod uređaja koji radi. Ako izgubi kontrolu, uređaj bi mogao prijeći preko njega.

Budite osobito oprezni kad na obronku mijenjate smjer kretanja.

Na obroncima uvijek vodite računa o stabilnosti. Izbjegavajte rad s uređajem na previše strmim obroncima.

Uređaj bi se tijekom rada na obroncima mogao prevrnuti. Iz sigurnosnih razloga uređaj ne smijete upotrebljavati na obroncima na kojima nagib iznosi više 15° (26,8 %). **Opasnost od ozljeda!** Gradijent od 15° odgovara vertikalnom usponu od 26,8 cm pri horizontalnoj dužini od 100 cm.



Kako biste osigurali dostatno podmazivanje motora s unutarnjim izgaranjem, prilikom uporabe uređaja na obroncima dodatno treba poštivati podatke iz priloženih uputa za uporabu motora s unutarnjim izgaranjem.

Primjena:



Opasnost od ozljeda!

Ruke i noge nikada nemojte stavljati iznad ili ispod rotirajućih dijelova ili na njih.

Uređajem se iz sigurnosnih razloga uvijek rukuje dvoručno – obje ruke se moraju nalaziti na ručkama upravljača tijekom rada. Nikada ne radite samo s jednom rukom.

Radnu dubinu regulirajte samo pritiskom na kočni zubac.

Na vrlo teškim tlima za obradu (npr. kamenitim i tvrdim) potrebno je pri radu s uređajem obratiti posebnu pozornost – te smanjiti rotacijsku brzinu radnih alata (regulacija gasa).

Vodite uređaj samo brzinom hoda – prilikom rada nipošto nemojte trčati. Prebrzo vođenje uređaja povećava opasnost od ozljeda zbog spoticanja, poskliznuća itd.

Pozor – opasnost od ozljeda!

Budite vrlo oprezni i osobito pazite na dovoljan razmak između radnih alata (zvjezdasti noževi za okopavanje) i stopala, kada okrećete uređaj, povlačite ga prema sebi ili koristite stupanj prijenosa za vožnju unatrag.

Pozor – opasnost od spoticanja!

Kod kretanja uređaja unatrag pazite na prepreke iza rukovatelja.

Ako se uređaj zaglavio, ugasite motor s unutarnjim izgaranjem i izvucite utikač svjeće. Uređaj podižite i oslobađajte samo uz pomoć još jedne osobe.

Isključite motor s unutarnjim izgaranjem,

- ako morate nakrenuti stroj za transport,
- ako stroj gurate ili vučete od i prema površini za obradu,
- ako napuštate uređaj, odnosno ako ostavljate uređaj bez nadzora,

– prije punjenja spremnika gorivom. Gorivo punite samo kada je motor s unutarnjim izgaranjem hladan.

Opasnost od požara!

– ako stroj gurate ili vučete od i prema površini koja nije predviđena za obradu.

Isključite motor s unutarnjim izgaranjem i izvucite utikač svjeće.

- prije nego što otpuštate blokade,
- prije podizanja i nošenja uređaja,
- prije transporta uređaja,
- prije provjere ili čišćenja uređaja ili prije provođenja drugih radova na uređaju (npr. podešavanja upravljača, rasklapanje transportnog voznog postolja),
- ako uređaj udari u strano tijelo ili ako počne neuobičajeno jako vibrirati. U tom slučaju pregledajte stroj, posebice radne alate (zvjezdaste noževe za okopavanje, učvršćenje zvjezdastih noževa, pogonsko vratilo) kako biste utvrdili ima li na njima oštećenja te provedite potrebne popravke prije ponovnog pokretanja uređaja i rada s uređajem.



Opasnost od ozljeda!

Jako vibriranje u pravilu je znak smetnje.

Motorna kopačica se nikako ne smije pokretati ako je pogonsko vratilo oštećeno ili svinuto, odnosno ako je radni alat oštećen. Ako vam nedostaju potrebna znanja, prepustite potrebne popravke stručnjaku – STIHL preporučuje ovlaštenog STIHL trgovca.

4.7 Održavanje i popravci

Prije početka radova čišćenja, namještanja, popravaka i održavanja:

- Postavite uređaj na ravno i čvrsto tlo.
- isključite motor s unutarnjim izgaranjem i pričekajte da se ohladi.
- Izvucite utikač svjeće.

Pozor – opasnost od ozljeda!

Utikač svjeće držite dalje od svjeće, slučajno nastale iskre mogu dovesti do požara ili strujnog udara. Slučajni kontakti svjeće s utikačem svjeće mogu dovesti do neželjenog uključivanja motora s unutarnjim izgaranjem.



Za radove održavanja ili čišćenja uređaj prevrnuti prema nazad. Ako se uređaj polegne bočno ili prema naprijed, može doći do oštećenja na motoru s unutarnjim izgaranjem i drugim dijelovima uređaja, što zahtijeva skupe popravke.

Ostavite uređaj da se ohladi, posebice prije obavljanja radova na održavanju u području mjenjača, motora s unutarnjim izgaranjem, razdjelniku ispuha i prigušnom loncu. Mogu nastati temperature od 80° C i više. **Opasnost od opeklina!**

Neposredan kontakt s motornim uljem može biti opasan, osim toga motorno ulje se ne smije proliti.

STIHL preporučuje da se punjenje motornog ulja odnosno zamjena motornog ulja prepusti ovlaštenom STIHL servisu.

Redovito provjeravajte cijeli uređaj na trošenje i oštećenja, osobito prije skladištenja (npr. prije zimske pauze). Iz

sigurnosnih razloga odmah zamijenite istrošene ili oštećene dijelove, tako da uređaj uvijek bude siguran za rad.

Čišćenje:

Cijeli se uređaj mora temeljito očistiti nakon svake primjene. (⇒ 12.2)

Očistite nataložene ostatke drvenim štapom. Očistite donji dio uređaja četkom i vodom.

Nemojte koristiti agresivna sredstva za čišćenje. Ona mogu oštetiti plastične i metalne dijelove, što može negativno utjecati na siguran rad uređaja STIHL.

Donja strana uređaja (svi dijelovi ispod zaštitnog lima) smiju se očistiti visokotlačnim peraćima tj. uz pomoć čistača na paru. Održavajte razmak od najmanje 1 m, a vođeni mlaz nikada izravno ne usmjeravajte na ležajeve i brtve – posebice ne na brtvu između kućišta mjenjača i zaštitnog lima.

Radi izbjegavanja opasnosti od požara, područje otvora zraka hlađenja, rebaraca hladnjaka i područje ispuha održavajte čistima od npr. trave, slame, mahovine, lišća ili iscurjele masti.

Radovi na održavanju:

Smiju se provoditi samo radovi održavanja opisani u ovim uputama za uporabu; sve ostale radove povjeriti ovlaštenom trgovcu.

Ako vam nedostaju potrebna znanje i potrebna pomoćna sredstva, obratite se **uvijek** svom ovlaštenom trgovcu. STIHL preporučuje obavljanje radova održavanja i popravaka samo od ovlaštenih STIHL trgovaca. Ovlašteni STIHL trgovci redovito se školuju i raspoložu tehničkim informacijama.

Koristite samo alate, pribor ili priključne uređaje koje je STIHL odobrio za ovaj uređaj ili tehnički ekvivalentne dijelove. U protivnom postoji opasnost od nesretnih slučajeva koje mogu rezultirati ozljedama ili štetom na uređaju. U slučaju pitanja obratite se ovlaštenom trgovcu.

STIHL originalni alati, pribor i rezervni dijelovi zbog svojih su svojstava optimalni za uređaj i zahtjeve korisnika. Originalni rezervni dijelovi STIHL mogu se prepoznati po broju rezervnog dijela STIHL, po natpisu STIHL i eventualno po oznaci rezervnog dijela STIHL. Na sitnim dijelovima znak može stajati i sam.

Radi sigurnosti, dijelove koji provode gorivo (vod goriva, slavina goriva, spremnik goriva, zatvarač spremnika, priključci itd.) stručna osoba treba redovito provjeravati na oštećenja i propusna mjesta te ih po potrebi treba zamijeniti (STIHL preporučuje ovlašteni STIHL servis).

Održavajte naljepnice s upozorenjima i napomenama uvijek čistima i čitljivima. Oštećene ili izgubljene naljepnice treba zamijeniti novim originalnim znakovima koje možete nabaviti kod ovlaštenog STIHL trgovca. Ako se neki dio zamjenjuje novim dijelom, pazite da novi dio sadrži iste naljepnice.

Pazite da sve matice, svornjaci i vijci uvijek budu čvrsto zategnuti kako bi za vrijeme rada uređaj bio siguran.

Nikada nemojte mijenjati osnovne postavke motora s unutarnjim izgaranjem i pretjerivati s brojem okretaja.

Ako su zbog održavanja skinuti dijelovi ili zaštitne naprave, treba ih odmah i propisno ponovno ugraditi.

Kod zamjene radnih alata (zvjezdasti noževi za okopavanje) obratite pozornost na tip zvjezdastih noževa za okopavanje i kombinaciju zvjezdastih noževa za okopavanje – dozvoljene su samo od STIHL odobrene varijante.

4.8 Skladištenje kod duljeg nekorištenja

Pustite motor s unutarnjim izgaranjem da se ohladi prije odlaganja uređaja u zatvorenom prostoru.

Uređaj čuvajte s ispraznjenim spremnikom i zalihom goriva u zatvorenoj i dobro prozračenoj prostoriji.

Osigurajte da je uređaj zaštićen od neovlaštene uporabe (npr. djeca).

Nikada nemojte skladištiti uređaj unutar zgrade s benzinom u spremniku.

Benzinske pare koje nastaju mogu doći u dodir s otvorenim plamenom ili iskrom i zapaliti se.

Ukoliko treba isprazniti spremnik, npr. radi stavljanja izvan uporabe prije zimske stanke, pražnjenje spremnika za gorivo bi trebalo izvoditi samo na otvorenom (npr. radom motora s unutarnjim izgaranjem).

Uređaj temeljito očistite prije skladištenja (npr. zimska pauza).

Uređaj skladištite samo sa izvučenim utikačem svječića.

Uređaj skladištite u pogonski sigurnom stanju.

Prije prekrivanja pričekajte da se uređaj potpuno ohladi.

4.9 Odlaganje

Otpadni proizvodi poput starog ulja ili goriva, rabljenih maziva, filtara, baterija i sličnih potrošnih dijelova mogu štetiti ljudima, životinjama i okolišu te se moraju stoga stručno odložiti.

Za informacije o pravilnom odlaganju proizvoda u otpad obratite se centru za reciklažu ili svom ovlaštenom serviseru. STIHL preporučuje ovlaštenog STIHL trgovca.

Uređaj koji je odradio svoj radni vijek mora biti propisno zbrinut. Obratite pozornost na podatke u poglavlju „Zaštita okoliša“ (⇒ 14.)

5. Opis simbola



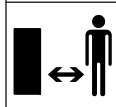
Pozor! – Opasnost od ozljeda!



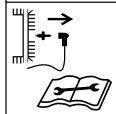
Prije stavljanja u pogon pročitajte i uzmite u obzir upute za uporabu i sigurnosne napomene.



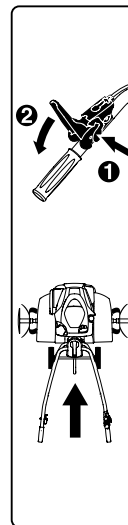
Rotirajući alati: ruke i noge držati dalje od rotirajućeg alata. Rad samo s postavljenim zaštitnim pokrovima.



Sigurnosni razmak poštivati.

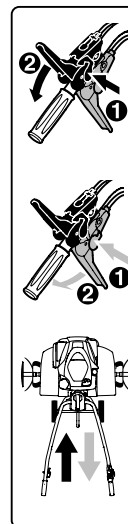


Prije radova održavanja i čišćenja, izvucite utikač svječiće.



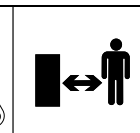
MH 445:

Prije aktiviranja poluge voznog pogona mora se iz sigurnosnih razloga prvo pritisnuti poluga za deblokiranje. Na taj se način sprječava nenamjerno aktiviranje poluge voznog pogona.



MH 445 R, MH 560, MH 585, MH 685:

Prije aktiviranja poluge voznog pogona mora se iz sigurnosnih razloga prvo pritisnuti odgovarajuća poluga za deblokiranje. Na taj način se sprječava nenamjerno aktiviranje jedne poluge voznog pogona. Crna poluga voznog pogona je za stupanj prijenosa za vožnju prema naprijed, crvena poluga voznog pogona je za stupanj prijenosa za vožnju unatrag.



Opasnost od opekline!

Ne dodirujte vruće površine. Kućište mjenjača je vruće.

6. Opseg isporuke



Poz.	Opis	Kom.
A	Osnovni uređaj	1
B	Upravljač	1
C	Zatezna poluga	1
D	Transportno vozno postolje	1
E	Kočni zubac	1
F	Zaštitna letvica lijevo	1
G	Zaštitna letvica desno	1
H	MH 445, MH 445 R: Zvezdasti noževi za okopavanje	4
I	MH 560, MH 585, MH 685: Zvezdasti noževi za okopavanje dvostruki	2
J	MH 585, MH 685: Zvezdasti noževi za okopavanje jednostruki	2
K	Zaštitni prsten	2
L	Disk za zaštitu biljaka	2
M	Poluga voznog pogona (prema naprijed) crna	1
N	MH 445 R, MH 560, MH 585, MH 685: Poluga voznog pogona (natrag) crvena	1
O	MH 445: Sigurnosna matica M6	1
P	MH 445: Pokrov	1
Q	Sigurnosna matica M6	1

Poz.	Opis	Kom.
R	Plosnati vijak s okruglom glavom M6	1
S	MH 445, MH 445 R, MH 585, MH 685: Preklopni poluprsten 10x40 MH 560: Preklopni poluprsten 10x40	6
T	Plosnati vijak s okruglom glavom M8	4
U	Šesterostrana matica M8	2
V	Kabelska vezica	2
–	Upute za uporabu	1
–	Upute za uporabu Motor s unutarnjim izgaranjem	1
–	MH 560, MH 585, MH 685: Ključ za svjećice	1

7. Priprema uređaja za rad

7.1 Montažne upute



Opasnost od ozljeda!

Obratite pozornost na sigurnosne napomene u poglavlju „Za vašu sigurnost“. (⇒ 4.) Osobito je važno izvući utikač svjećica i kod svih radova na zvjezdastim noževima za okopavanje nositi čvrste rukavice.

Obratite pozornost na okretni moment!

Pogonsku užad i uže gasa položite i ovjesite samo kako je opisano. Pogrešno montirana užad (npr. pogrešno polaganje ili ovješeno u pogrešne pogonske poluge) mogu prouzročiti neispravno funkcioniranje.

- Sve opisane radove obavljajte na čistim, vodoravnim, ravnim i čvrstim podlogama.
- Obratite pozornost na montažne položaje – uvijek pazite na stabilan i siguran položaj uređaja.
- Točno se pridržavati uputa za montažu poteznog užeta, posebno svu užad učvrstiti s **kabelskim vezicama** na upravljač, kako bi se izbjegla oštećenja na uređaju (na primjer kod preklapanja upravljača) ili mogućnost pogrešnih funkcija.

Poluga voznog pogona, pogonska užad

MH 445:

- Crna poluga voznog pogona na gornjoj strani upravljača.
 - Pogonsko uže (prema naprijed).
- MH 445 R, MH 560, MH 585, MH 685:
- Crna poluga voznog pogona na gornjoj strani upravljača.
 - Crvena poluga voznog pogona na donjoj strani upravljača.
 - Pogonsko uže (prema naprijed). Pokretačko uže je opremljeno s **crnom kapicom** i ovješeno na crnoj poluzi voznog pogona.
 - Pogonsko uže (prema nazad). Pokretačko uže opremljeno je **crvenom kapicom** i ovješeno na crvenoj poluzi voznog pogona.

7.2 Montaža podvozja



- Montažni položaj:
Položite osnovni uređaj (A) kako je prikazano prema naprijed, a radi stabiliziranja na oba pogonska vratila umetnite prikladne drvene podloge (1) (visina 50 - 60 mm, širina/duljina cca. 100 mm).
- **1** Pričvrсну kopču (2) pritisnite prema gore i držite.
- **2** Transportno vozno postolje (D) umetnite u udubljenje (3) na svornjaku poluge za deblokiranje (4).
- Transportno vozno postolje (D) pritisnite prema gore do graničnika i držite.
- **3** Pričvrсну kopču (2) pritisnite prema dolje. Vijke (T) na objema stranama umetnite odozdo.
- **4** Pričvrсну kopču (2) pričvrstite uvrtnjem objiju matica (U).

7.3 Montaža kočnog zupca



- Montažni položaj:
vidi „Montaža podvozja“ (⇒ 7.2)
- Pritisnite svornjak za deblokadu (1) i držite ga.
- Kočni zubac (E) umetnite odozdo u adapter (2) i povucite prema gore do graničnika.
- Ispustite svornjak za deblokadu (1) i povucite kočni zubac (E) prema dolje dok se ne uklopi.
- Provjerite siguran dosjed kočnog zupca (E).

7.4 Montaža upravljača



- **1** Montažni položaj:
pogledajte odjeljak „Montaža podvozja“ (⇒ 7.2)
- Skinite gumenu vrpцу (1).
- **2** Podignite i držite konzolu (2).
- **3** Umetnite upravljač (B) u središnji položaj između konzole (2) i donjeg dijela upravljača (3) do graničnika i držite ga. Krakovi opruge (4) moraju prolaziti uzduž mehanizma za podešavanje (5) kao što je prikazano na slici.
Provjerite je li opruga (4) u prikazanom položaju u elementu za namještanje (6) i po potrebi objesite oprugu.
- **4** Stegnite vijak (7).
- **5** Odvrните maticu (8) na zateznoj poluzi (C) i skinite je pomoću opruge (9).

- Gurnite zateznu polugu (C) s integriranim vijkom odozgo kroz konzolu (2) i donji dio upravljača (3). Pomaknite oprugu (9) na zateznu polugu (C). Okrenite maticu (8) jedanput ili dvaput.



Napomena!

Zateznu polugu (C) montirajte tako da se radi zatezanja mora pritisnuti naprijed prema motoru s unutarnjim izgaranjem.

- **6** Odaberite središnji položaj gornjeg dijela upravljača (3). (⇒ 11.3)
- Rukom pritisnite zateznu polugu (C) prema naprijed.
- Uvrните maticu (8) momentom pritezanja od 5 Nm (ne do graničnika).
- Provjera stezanja:
Montaža zatezne poluge (C) provedena je ispravno ako se zatezna poluga može ručno aktivirati i ako je upravljač pritom čvrsto fiksiran na osnovnom uređaju.
- Namjestite zateznu silu:
Ako upravljač nije dovoljno fiksiran ili ako se zatezna poluga ne može ručno aktivirati, otpustite zateznu polugu i zateznu silu namjestite uvrtnjem odnosno odvrtnjem maticе (8). Zateznu polugu nakon toga ponovno pritisnite prema naprijed.



Opasnost od ozljeda!

Uređaj se smije pomicati odn. vući samo ako je upravljač čvrsto fiksiran na osnovnom uređaju (upravljač u zategnutom stanju ne smije biti slabо pričvršćen).

7.5 Rasklapanje upravljača



- Zateznu polugu (1) povučite prema gore. Gornji dio upravljača (2) preklopite u smjeru strelice.
- Pritisnite zateznu polugu (1) do graničnika prema naprijed.
- Podesite visinu upravljača. (⇒ 11.2)

7.6 Montaža zaštitnih letvica



- Provjerite unaprijed montirane vijke (1) u zaštitnim letvicama (F, G) – nemojte odvrtni do kraja.
- Motornu kopačicu postavite u položaj za čišćenje. (⇒ 12.2)
- Zaštitnu letvicu lijevo (F) uvedite s tri unaprijed montirana vijka (1) u tri provrta (2) pokrivnog lima.
- Zaštitnu letvicu (F) gurnite prema naprijed i držite.
- Uvrnite vijke (1) i stegnite ih s 10 - 12 Nm.
- Provjeravajte siguran dosjed zaštitne letve (F), a zatim ugradite desnu zaštitnu letvu (G) na isti način.

7.7 Montaža zvjezdastih noževa za okopavanje MH 445, MH 445 R



- Motornu kopačicu postaviti u položaj za čišćenje. (⇒ 12.2)



Točno se pridržavati Uputa za montažu. Posebnu pozornost obratite na redoslijed, a zaštitne prstene, zvjezdaste noževe za okopavanje i rascjepke sa zaklopkom potpuno montirajte kako je opisano. Kod montaže rascjepke sa zaklopkom pazite na prikazani smjer umetanja i tijekom sigurnosnog stremena. Kod pogrešne tj. nepotpune montaže, zaklopna rascjepka bi se mogla samostalno olabaviti i ispasti.

Za dobar radni rezultat oštrice zvjezdastih noževa za okopavanje moraju pokazivati prema naprijed (ne prema upravljaču) – obratite pozornost na oznake sa strelicama.

Definicija zvjezdastih noževa za okopavanje:

- Zvjezdasti noževi za okopavanje (1): jednako velik vanjski promjer prihvata vratila (2).
- Zvjezdasti noževi za okopavanje (3): različit vanjski promjer prihvata vratila (4).



- Zaštitni prsten (K) ugurajte do graničnika na pogonsko vratilo (5). Izrezi zaštitnog prstena moraju se uklopiti u tri uklopnika na kućištu mjenjača (6).
- Zvjezdaste noževe za okopavanje (1) postavite tako da **kraći** prihvata vratila (2) pokazuje prema kućištu mjenjača i s oštricama (7) usmjerenim prema naprijed. Strelica (8) na zvjezdastim noževima za okopavanje i strelica (9) na kućištu mjenjača (6) moraju pokazivati u istom smjeru.

- Nagurajte zvjezdaste noževe za okopavanje (1) na pogonsko vratilo (5).
- Zvjezdaste noževe za okopavanje (1) tako okretati, da se provrti prihvata vratila i pogonskog vratila međusobno poklapaju.



- Preklopni poluprsten (S) utaknite kroz provrte i zaklopite sigurnosni stremen.



- Zvjezdaste noževe za okopavanje (3) pozicionirati na taj način, da **manji** vanjski promjer prihvata vratila (4) pokazuje prema već montiranim zvjezdastim noževima (1) a oštrice (7) su usmjerene prema naprijed. Strelica (8) na zvjezdastim noževima za okopavanje i strelica (9) na kućištu mjenjača (6) moraju pokazivati u istom smjeru.

- Zvjezdaste noževe za okopavanje (3) ugurajte u već montirane zvjezdaste noževe (1).
- Zvjezdaste noževe za okopavanje (3) tako okretati, da se provrti oba zvjezdasta noža međusobno poklapaju.



- Preklopni poluprsten (S) utaknite kroz provrte i zaklopite sigurnosni stremen.
- Po potrebi montirajte disk za zaštitu biljaka. (⇒ 7.9)
- Ponovite montažu zvjezdastih noževa za okopavanje na drugoj strani.

7.8 Montaža zvjezdastih noževa za okopavanje MH 445, MH 585, MH 685



- Motornu kopačicu postaviti u položaj za čišćenje. (⇒ 12.2)



Točno se pridržavati Uputa za montažu. Posebnu pozornost obratite na redoslijed, a zaštitne prstene, zvjezdaste noževe za okopavanje i rascjepke sa zaklopkom potpuno montirajte kako je opisano. Kod montaže rascjepke sa zaklopkom pazite na prikazani smjer umetanja i tijek sigurnosnog stremena. Kod pogrešne tj. nepotpune montaže, zaklopna rascjepka bi se mogla samostalno olabaviti i ispasti.

Za dobar radni rezultat oštrice zvjezdastih noževa za okopavanje moraju pokazivati prema naprijed (ne prema upravljaču) – obratite pozornost na oznake sa strelicama.

Definicija zvjezdastih noževa za okopavanje:

- Zvjezdasti noževi za okopavanje (I): zvjezdasti noževi za okopavanje s dvostrukim nizom.
- Zvjezdasti noževi za okopavanje (J): zvjezdasti noževi za okopavanje s jednostrukim nizom.

1 MH 560, MH 585, MH 685

- Zaštitni prsten (K) ugurajte do graničnika na pogonsko vratilo (1). Izrezi zaštitnog prstena moraju se uklopiti u tri uklopnika na kućištu mjenjača (2).

- Zvjezdaste noževe za okopavanje (I) postavite tako da **kraći** prihvat vratila (3) pokazuje prema kućištu mjenjača i oštricama (4) usmjerenima prema naprijed. Strelica (5) na zvjezdastim noževima za okopavanje i strelica (6) na kućištu mjenjača (2) moraju pokazivati u istom smjeru.

- Zvjezdaste noževe za okopavanje (I) nagurajte na pogonsko vratilo (1).

- Zvjezdaste noževe za okopavanje (I) okrećite tako da se provrti prihvaća vratila i pogonskog vratila međusobno poklapaju.

2 MH 560, MH 585, MH 685

- Preklopni poluprsten (S) utaknite kroz provrte i zaklopite sigurnosni stremen.

3 MH 585, MH 685

- Zvjezdaste noževe za okopavanje (J) postavite tako da **manji** vanjski promjer prihvaća vratila (7) pokazuje prema montiranim zvjezdastim noževima (I) a oštrice (4) su usmjerene prema naprijed. Strelica (5) na zvjezdastim noževima za okopavanje i strelica (6) na kućištu mjenjača (2) moraju pokazivati u istom smjeru.

- Zvjezdaste noževe za okopavanje (J) ugurajte u već montirane zvjezdaste noževe (I).

- Zvjezdaste noževe za okopavanje (J) okrećite tako da se provrti oba zvjezdasta noža međusobno poklapaju.

4 MH 585, MH 685

- Preklopni poluprsten (S) utaknite kroz provrte i zaklopite sigurnosni stremen.

MH 560, MH 585, MH 685

- Po potrebi montirajte disk za zaštitu biljaka. (⇒ 7.9)

- Ponovite montažu zvjezdastih noževa za okopavanje na drugoj strani.

7.9 Montaža diska za zaštitu biljaka



Kod montaže rascjepke sa zaklopkom pazite na prikazani smjer umetanja i tijek sigurnosnog stremena. Kod pogrešne tj. nepotpune montaže, zaklopna rascjepka bi se mogla samostalno olabaviti i ispasti.

- Nasadite disk za zaštitu biljaka (L) na vanjske zvjezdaste noževe za okopavanje. Disk za zaštitu biljaka okrećite tako da se provrti diska i zvjezdastih noževa za okopavanje međusobno poklapaju.
- Preklopni poluprsten (S) utaknite kroz provrte i zaklopite sigurnosni stremen.
- Ponovite postupak na drugoj strani.

7.10 Montaža poluge za pogon



- Obratite pozornost na montažne upute. (⇒ 7.1)
- Crnu polugu voznog pogona (M) s integriranim vijkom (1) odozgo utaknite kroz provrt u gornjem dijelu upravljača.
- MH 445: Sigurnosnu maticu (O) uvrnite i stegnite s 7 - 9 Nm. Natakните pokrov (P).

- MH 445 R, MH 560, MH 585, MH 685: Crvenu polugu voznog pogona (N) postavite tako da vijak od crne poluge može biti uvrnut u maticu koja je ugrađena u crvenoj poluzi. Crvenu polugu voznog pogona (N) pritisnite prema gore naspram upravljača. Uvrnite vijak (1) i stegnite ga s 7 - 9 Nm.

7.11 Polaganje pogonskog užeta



- Obratite pozornost na montažne upute. (⇒ 7.1)
- **1** Odmotajte pogonsko uže (prema naprijed) (1) i objesite u držač (2).
- **2** Stegnite maticu (3) sa 2 - 4 Nm.
- Pogonsko uže (za kretanje prema naprijed) (1) provedite prema gore na sljedeći način:
 - A** Pogonsko uže (za kretanje prema naprijed) (1) provedite preko gornjeg dijela upravljača (4).
 - B** Pogonsko uže (za kretanje prema naprijed) (1) položite ispod poprečnog nosača (5) gornjeg dijela upravljača.
- MH 445 R, MH 560, MH 585, MH 685: Pogonsko uže (prema nazad) (6) položiti na desnoj strani motora s unutarnjim izgaranjem ispod skretne poluge (7). Uže na upravljaču kao pogonsko uže (za kretanje prema naprijed) provedite prema gore.

7.12 Ovješanje pogonskog užeta



- Obratite pozornost na montažne upute. (⇒ 7.1)

Pogonsko uže (prema naprijed):

- Nazuvicu (1) užeta s crnom kapicom (2) uvedite na crnoj poluzi voznog pogona (M).
- Nazuvicu (1) uvesti kroz otvor (3) poluge (4). Pritom po potrebi upotrijebiti prikladna kliješta.
- Pomoću prikladnih kliješta povući na nazuvici (1) i objesiti je kako je prikazano na slici na poluzi (4).
- Kapicu (2) pritisnite na polugu voznog pogona (4) i pustite je da uskoči.
- **Kontrola funkcije:**
 - Aktiviranje poluge voznog pogona. (⇒ 8.2)
 - Poluge voznog pogona moraju imati laki hod.

Pogonsko uže (prema nazad)

MH 445 R, MH 560, MH 585, MH 685:

- Nazuvicu užeta s crvenom kapicom uvesti na crvenoj poluzi voznog pogona.
- Daljnja montaža je identična s montažom pogonskog užeta (prema naprijed).

7.13 Polaganje i montaža užeta gasa



- Obratite pozornost na montažne upute. (⇒ 7.1)
- Odmotajte uže gasa (1) i provedite ga na sljedeći način:
 - A** Uže gasa provedite prema gore iznad gornjeg dijela upravljača (2).
 - B** Uže gasa provedite prema gore ispod poprečnog nosača (3) gornjeg dijela upravljača.

- Postavite vijak (T) u provrt kućišta užeta gasa (4). Kućište užeta gasa s umetnutim vijkom iznutra nataknuti na gornji dio upravljača i držati. Sigurnosnu maticu (U) zavrnite i čvrsto stegnite s 7 - 9 Nm.

7.14 Fiksiranje pokretačkog užeta na upravljaču



- Obratite pozornost na montažne upute. (⇒ 7.1)
- MH 445: Pogonsko uže (1) učvrstite s kabelskom vezicom (V) na desnoj strani na gornjem dijelu upravljača.
- MH 445 R, MH 560, MH 585, MH 685: Oba pogonska užeta (1, 2) učvrstite s kabelskom vezicom (V) na desnoj strani na gornjem dijelu upravljača.
- Uže gasa (3) povežite s kabelskom vezicom (V) na lijevoj strani na gornji dio upravljača.
- Provjeravajte siguran dosjed kabelske vezice. Odrezati stršeci višak kraja kabelske vezice.

7.15 Gorivo i motorno ulje



- **Izbjegavajte štete na uređaju!** Prije prvog pokretanja motor treba napuniti motornim uljem. Za punjenje motornim uljem tj. gorivom upotrijebite odgovarajuće pomagalo (npr. lijevak).

Motorno ulje:

Informacije o odobrenom motornom ulju i količini punjenja ulja pronaći ćete u uputama za uporabu motora s unutarnjim izgaranjem.



Redovito provodite kontrolu razine ulja (pogledajte upute za uporabu motora s unutarnjim izgaranjem).

Treba izbjegavati da razina ulja bude ispod ili iznad propisane razine.

Zatvarač spremnika za ulje propisno čvrsto pritegnite prije puštanja u rad motora s unutarnjim izgaranjem.

Gorivo:

Preporuka:

svježije gorivo priznate marke, bezolovni benzin.

Podatke o kvaliteti goriva (broj oktana) možete naći u uputama za uporabu motora s unutarnjim izgaranjem.



8. Upravljački elementi

8.1 Poluga za podešavanje gasa



S polugom za podešavanje gasa (1) može se regulirati broj okretaja motora s unutarnjim izgaranjem.

Startni položaj:



- Polugu za podešavanje gasa (1) povucite **prema natrag** do graničnika.
- Motor s unutarnjim izgaranjem se može pokrenuti. (⇒ 11.6)

Zaustavni položaj:



- Polugu za podešavanje gasa (1) gurnite **prema naprijed** do graničnika (pazite na stupanj uklapanja).
- Motor s unutarnjim izgaranjem zaustavlja se nakon nekoliko sekundi.

Regulacija broja okretaja:

- Polugu za podešavanje gasa (1) pomaknite kod rada motora s unutarnjim izgaranjem.

Nazivni broj okretaja motora:

Brzo



Sporo



8.2 Poluga voznog pogona



S aktiviranjem poluge voznog pogona (1, 3), za vrijeme rada motora s unutarnjim izgaranjem, pogon se spaja odn. odspaja. Pogonsko vratilo se počinje okretati odn. zaustavlja se.

Sa **crnom** polugom voznog pogona (naprijed) (1), pokreće se motorna kopačica pri kontaktu s tlom i kod montiranih zvjezdastih noževa za okopavanje **naprijed**.

Sa **crvenom** polugom voznog pogona (natrag) (3), pokreće se motorna kopačica pri kontaktu s tlom i kod montiranih zvjezdastih noževa za okopavanje **unutra**.

Iz sigurnosnih razloga su poluge voznog pogona mehanički blokirane, kako bi se time spriječilo nehotično uključenje. (⇒ 9.1)

Nadalje se kod modela MH 445 R, MH 560, MH 585, MH 685 na osnovu mehaničkog osiguranja uvijek pritisnuti prema dolje samo jedna poluga voznog pogona – ili poluga voznog pogona (naprijed) ili poluga voznog pogona (natrag).



Izbjegnite štete na uređaju!

Izbjegavati oštećenja na uređaju! Aktivirajte polugu voznog pogona brzo i bez zastoja. Ne zadržavati polugu u polupritisnutom položaju – izbjegavati pojačano trošenje klinastog remena.

Aktivirati polugu voznog pogona (prema naprijed)



- **1** Polugu za deblokadu (2) pritisnuti sve do graničnika prema poluzi voznog pogona (prema naprijed) (1) te držati.
- **2** Polugu za pogon (prema naprijed) (1) pritisnuti brzo do graničnika te držati.
- Pustiti polugu za deblokiranje (2). Pogon je spojen i pogonsko vratilo se okreće.
- **3** Otpustiti pogon: Pustiti polugu voznog pogona (prema naprijed) (1).

Aktivirati polugu voznog pogona (prema natrag) (MH 445 R, MH 560, MH 585, MH 685):



- **1** Polugu za deblokadu (4) pritisnuti sve do graničnika prema poluzi voznog pogona (prema natrag) (3) te držati.
- **2** Polugu za pogon (prema natrag) (3) pritisnuti brzo do graničnika te držati.
- Pustiti polugu za deblokiranje (4). Pogon je spojen i pogonsko vratilo se okreće.
- **3** Otpustiti pogon: Pustiti polugu voznog pogona (prema natrag) (3).

9. Sigurnosne naprave

Uređaj je opremljen brojnim sigurnosnim napravama radi sigurne upotrebe i zaštite od nestručnog rukovanja.



Opasnost od ozljeda!

Sigurnosne naprave ne smiju se odstranjivati, premošćivati, preinačavati ili biti oštećene. Ako dođe do takvog kvara na određenoj sigurnosnoj napravi, uređaj se ne smije stavljati u pogon. Obratite se ovlaštenom trgovcu, STIHL preporučuje ovlaštenog STIHL trgovca.

9.1 Blokada poluge za pogon

Poluge voznog pogona su iz sigurnosnih razloga mehanički blokirane, kako bi se time spriječilo nehotično aktiviranje.

Da bi se poluga voznog pogona mogla aktivirati, najprije se mora pritisnuti odgovarajuća poluga za deblokadu. (⇒ 8.2)

9.2 Zaštitne naprave

Motorna kopačica je opremljena zaštitnim napravama koje sprječavaju nehotični kontakt s radnim alatom i štite od predmeta koji bi mogli biti izbačeni u zrak. Tu se ubrajaju bočna zaštitna letva, zaštitni lim i pravilno montiran upravljač.

10. Napomene uz rad

10.1 Radno područje rukovatelja



- Zbog sigurnosnih razloga rukovatelj se čitavo vrijeme rada (dok radi motor s unutarnjim izgaranjem) uvijek mora zadržavati u radnom području (siva površina 1).
- Motornom kopačicom smije rukovati isključivo jedna osoba; drugi se moraju držati podalje od opasnog područja (⇒ 4.)

10.2 Radni položaj uređaja



- Motorna kopačica se smije stavljati u pogon samo ako stoji na tlu (motor s unutarnjim izgaranjem gore). Za vrijeme ukupnog trajanja pogona motornu kopačicu valja voditi što je više moguće vodoravno, a izbjegavati jako nagibanje ili prevrtanje.

10.3 Kombinacije zvjezdastih noževa za okopavanje



Na lijevom i desnom pogonskom vratilu uvijek montirati isti broj zvjezdastih noževa za okopavanje.

Disk za zaštitu biljaka može se montirati kod svih opisanih kombinacija zvjezdastih noževa za okopavanje. On štiti okolne biljke – npr. kod okopavanja usko zasađene gredice.

Moguće kombinacije MH 445, MH 445 R:

- 2 Zvezdasti noževi za okopavanje: zvezdasti noževi za okopavanje s jednostrukim nizom po pogonskom vratilu
- 4 Zvezdasti noževi za okopavanje: dva zvezdasta noža za okopavanje s jednostrukim nizom po pogonskom vratilu

Moguće kombinacije MH 560:

- 2 Zvezdasti noževi za okopavanje: jedan zvezdasti nož za okopavanje s dvostrukim nizom po pogonskom vratilu

Moguće kombinacije MH 585, MH 685:

- 2 Zvezdasti noževi za okopavanje: jedan zvezdasti nož za okopavanje s dvostrukim nizom po pogonskom vratilu
- 4 Zvezdasti noževi za okopavanje: jedan zvezdasti nož za okopavanje dvostrukog niza i jedan zvezdasti nož jednostrukog niza po pogonskom vratilu

10.4 Idealan položaj tijela za vrijeme rada



Idealan položaj tijela za vrijeme rada pomaže protiv brzog umaranja.

Stoga postavke uređaja (podešavanje visine upravljača, podešavanje kočnog zupca) treba tako namjestiti, da se za vrijeme ukupnog vremena rada uvijek zadrži ravan položaj tijela (leđa).

Idealno držanje tijela:

- ispružena leđa
- ispružene noge

– Podlaktice lagano savinute prema dolje

11. Pokretanje uređaja

11.1 Pripremne mjere



Opasnost od ozljeda!

Obratite pozornost na sigurnosne napomene u poglavlju „Za vašu sigurnost“ (⇒ 4.) i upoznajte se s funkcijama upravljačkih elemenata motorne kopačice. (⇒ 8.)

- Provjerite razinu motornog ulja i napunite. (⇒ 7.15)

11.2 Podešavanje visine gornjeg dijela upravljača



Gornji dio upravljača može se podešavati po visini.

- Rasklopite transportno vozno postolje. (⇒ 11.4)
- S jednom rukom čvrsto obuhvatite gornji dio upravljača (1) na dršci (2) i držati.
- Drugom rukom povucite zateznu polugu (3) prema dolje i držite.
- Gornji dio upravljača (1) postavite u željeni položaj.
- Zateznu polugu (3) pritisnite prema naprijed i pazite da se gornji dio upravljača potpuno uklopi i učvrsti.
- U slučaju potrebe preklonite transportno vozno postolje. (⇒ 11.4)

11.3 Bočno namještanje upravljača



Gornji dio upravljača može se bočno učvrstiti u 3 položaja.

- Rasklopite transportno vozno postolje. (⇒ 11.4)
- Držite gornji dio upravljača jednom rukom na dršci.
- Zateznu polugu (1) povucite rukom prema gore.
- Upravljač postavite u željeni položaj. Pritom treba paziti na to, da se uklopni element (2) nalazi iznad jedne od tri uklopne rupice (3).
- Rukom pritisnite zateznu polugu (1) prema naprijed i blokirajte upravljač.
- Provjerite čvrst dosjed upravljača.
- U slučaju potrebe preklonite transportno vozno postolje. (⇒ 11.4)

11.4 Otklapanje i preklapanje transportnog voznog postolja



Pomoću transportnog voznog postolja, motorna kopačica može se transportirati guranjem ili povlačenjem.



Opasnost od ozljeda!

Kada se transportno vozno postolje nalazi u radnom položaju (sklopljeno prema gore) i kada se pritisne poluga za deblokiranje, transportno se vozno postolje može samostalno vratiti u transportni položaj.

Rasklopite transportni vozni stroj – transportni položaj:

- Transportno vozno postolje (1) lagano podignite jednom rukom i zadržite.

- Pritisnite polugu za deblokiranje (2).
- Transportno vozno postolje (1) preklonite prema dolje do graničnika i ispustite polugu za deblokiranje (2). Transportno vozno postolje uklopit će se i učvrstiti.

Preklonite transportno vozno postolje – radni položaj:

- Jednom rukom pridržavajte transportno vozno postolje (1) i laganim ga podizanjem rasteretite.
- Pritisnite polugu za deblokiranje (2) i preklonite transportno vozno postolje prema gore.
- Ispustite polugu za deblokiranje (2) i transportno vozno postolje preklonite prema gore do graničnika. Transportno vozno postolje uklopit će se i učvrstiti u radnom položaju.

11.5 Namještanje kočnog zupca



S kočnim zupcem se tijekom obrade tla regulira otpor, a time i brzina pomicanja uređaja. Za bolju regulaciju kočni se zubac može namjestiti u 3 stupnja.

Namještanje kočnog zupca:

- Rasklopite transportno vozno postolje u transportni položaj. (⇒ 11.4) Pazite na stabilan i siguran položaj uređaja.
- Pritisnite i držite svornjak za deblokadu (1).
- Kočni zubac (2) dovedite u željeni položaj.
- Ispustite svornjak za deblokadu (1) i pazite na to da se kočni zubac uklopi.

11.6 Pokretanje motora s unutarnjim izgaranjem



- Polugu podešavanja gasa staviti u startni položaj. (⇒ 8.1)
- Ručicu na pokretačkom užetu (1) čvrsto obuhvatiti jednom rukom i držati.
- Polako izvucite pokretačko uže (1) do otpora kompresije. Zatim snažno, brzo i u jednom potezu povucite za jednu duljinu ruke. Polako opet vraćajte pokretačko uže (1) tako da se može iznova namotati.
Ponavljajte postupak sve dok se motor s unutarnjim izgaranjem ne pokrene.

11.7 Gašenje motora s unutarnjim izgaranjem

- Za ugasiti motor s unutarnjim izgaranjem, ručicu za podešavanje gasa pomaknuti u položaj za zaustavljanje motora. (⇒ 8.1)
Motor s unutarnjim izgaranjem zaustavlja se nakon kratkog zaustavnog vremena.

11.8 Uključiti i otpustiti vozni pogon (prema naprijed)

Spajanje voznog pogona (prema naprijed):

- Motornu kopačicu transportirajte s ugašenim motorom s unutarnjim izgaranjem do površine na kojoj je želite koristiti. (⇒ 13.)
- Pokrenite motor s unutarnjim izgaranjem. (⇒ 11.6)
- Motornu kopačicu držati čvrsto s obje ruke na ručkama.

- Aktivirati i držati **crnu** polugu voznog pogona (naprijed). (⇒ 8.2)
Pogonsko vratilo s montiranim radnim alatom počinje se okretati tako, da se motorna kopačica počinje kretati prema naprijed.

Otpuštanje voznog pogona (prema naprijed):

- Pustiti polugu voznog pogona (prema naprijed). (⇒ 8.2)
Pogonsko vratilo s montiranim radnim alatom se zaustavlja.

11.9 Uključiti i otpustiti vozni pogon (prema natrag) (MH 445 R, MH 560, MH 585, MH 685)

Motorne kopačice MH 445 R, MH 560, MH 585, MH 685 opremljene su stupnjem prijenosa za vožnju unatrag.

Stupanj prijenosa za vožnju unatrag obrade tla služi isključivo za lakše oslobađanje, ako se motorna kopačica zaglavila. Stupanj prijenosa za vožnju unatrag nije predviđen za okopavanje.



Opasnost od ozljeda!

Prije priključivanja voznog pogona (unatrag) uvijek pazite na to da ima dovoljno mjesta između tijela rukovatelja i upravljača.

Pritiskanje voznog pogona (unatrag):

- Motornu kopačicu transportirajte s ugašenim motorom s unutarnjim izgaranjem do površine na kojoj je želite koristiti. (⇒ 13.1)
- Pokrenite motor s unutarnjim izgaranjem. (⇒ 11.6)
- Motornu kopačicu držati čvrsto s obje ruke na ručkama.

- Aktivirati i držati **crvenu** polugu voznog pogona (unatrag). (⇒ 8.2)
Pogonsko vratilo s montiranim radnim alatom počinje se okretati tako, da se motorna kopačica počinje kretati prema nazad.

Otpuštanje voznog pogona (prema natrag):

- Pustiti polugu voznog pogona (prema nazad). (⇒ 8.2)
Pogonsko vratilo s montiranim radnim alatom se zaustavlja.

11.10 Okopavanje

Kod okopavanja s montiranim zvjezdastim noževima za okopavanje, tlo se rahli i priprema za sjetvu, obrađivanje tla, a služi za sjetvu, obrađivanje zemlje ili njegu biljaka.



Opasnost od ozljeda!

Okopavati samo prema naprijed. Pazite na prepreke (npr. kamene ploče na putevima), preko kojih se ne smije prelaziti.

- Motornu kopačicu transportirajte s ugašenim motorom s unutarnjim izgaranjem do površine na kojoj je želite koristiti. (⇒ 13.1)
- Sklapanje transportnog voznog postolja. (⇒ 11.4)
- Pokrenite motor s unutarnjim izgaranjem. (⇒ 11.6)
- Motornu kopačicu držati s obje ruke na ručkama i zauzeti siguran stav – obratite pozornost na radno područje rukovatelja. (⇒ 10.1)

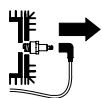
- Aktivirati polugu voznog pogona (prema naprijed) i držati. (⇒ 11.8)
Zvezdasti noževi za okopavanje počinju se okretati, postupak kopanja može započeti.
- Nakon rada vozni pogon odspojite (⇒ 11.8), motor ugassite (⇒ 11.7) i uređaj očistite (⇒ 12.2).

12. Održavanje



Opasnost od ozljeda!

Prije svih radova održavanja- ili čišćenja uređaja pažljivo pročitate poglavlje „Za Vašu sigurnost“ (⇒ 4.), posebice podpoglavlje „Održavanje i popravke“ (⇒ 4.7), te se pridržavajte svih sigurnosnih napomena.



Prije svih radova održavanja- i čišćenja svucite utikač svjećica!

12.1 Demontaža zvjezdastih noževa za kopanje



Ako se preklopni poluprsten pored kućišta mjenjača olabavi, mogao bi se otkinuti cijeli komplet za kopanje s diskom za zaštitu biljaka s pogonskog vratila. Kod montažnih radova na zvjezdastim noževima za okopavanje, obratite pozornost na podatke u poglavljima Montaža zvjezdastih noževa za kopanje (⇒ 7.7), (⇒ 7.8) i Kombinacije zvjezdastih noževa za kopanje (⇒ 10.3).

- Neka se uređaj (motor s unutarnjim izgaranjem, mjenjač) potpuno ohladi.
- Motornu kopačicu postaviti u položaj za čišćenje. (⇒ 12.2)
- Demontaža diskova za zaštitu biljaka: Rasklopite sigurnosni stremen preklopnog poluprstena (1) i izvucite preklopni poluprsten. Skinite disk za zaštitu biljaka (2).
- Skidanje zvjezdastih noževa za okopavanje: Rasklopite sigurnosni stremen preklopnog poluprstena (3) i izvucite preklopni poluprsten. Kompletno skinite zvjezdaste noževe za okopavanje (4).
- Izvući zaštitne prstene (5) i čuvati na sigurnom – nemojte izgubiti.

12.2 Čišćenje uređaja

Interval održavanja: Nakon svake uporabe



- Temeljito očistite cijeli uređaj nakon svake uporabe. Takav pristup štiti uređaj i produžuje njegov vijek trajanja.
- Uređaj prije čišćenja pustite da se potpuno ohladi, izvucite utikač svjećica i kod čišćenja mjenjača i zvjezdastih noževa za okopavanje nosite odjeću s dugim rukavima i čvrste rukavice.

Položaj za čišćenje:



Izbjegnite štete na uređaju!

Motornu kopačicu dovedite u prikazani položaj samo na kratko vrijeme (za čišćenje i radove na održavanju). Kod uskladištenja, uređaj postaviti uspravan položaj.

- Rasklopiti transportno vozno postolje. (⇒ 11.4)

- Gornji dio upravljača postavite u najviši položaj. (⇒ 11.2)
- Motornu kopačicu postavite površinu koja ima ravnu i čvrstu podlogu.
- Uređaj nagnite unatrag, sve dok upravljač ne dotakne tlo.

Napomene uz čišćenje:

- Ukoliko onečišćenja i naslage ne uspijete ukloniti četkom, vlažnom krpom ili drvenim štapom ne upotrebljavajte agresivna sredstva za čišćenje. STIHL preporučuje upotrebu specijalnog čistača (npr. STIHL specijalni čistač).
- Nipošto nemojte usmjeravati mlaz vode na upravljač, dijelove motora s unutarnjim izgaranjem, brtve i ležajna mjesta. Posljedica toga bit će skupi popravci.
- **Motor s unutarnjim izgaranjem:** Rashladna rebra, kotač ventilatora, područje oko zračnog filtra, ispuh itd. očistite od prljavština kako biste osigurali dovoljno hlađenje motora s unutarnjim izgaranjem.
- **Kućište mjenjača, podvozje i zvjezdasti noževi** smiju se čistiti pomoću mlaza vode odn. visokotlačnog čistača.



Izbjegnite štete na uređaju!

Kod primjene visokotlačnog perača održavajte razmak od **najmanje 1 m**, a vodeni mlaz nikada izravno ne usmjeravajte na ležajeve, pogonsko vratilo i brtve – posebice ne na brtvu između mjenjačkog kućišta i zaštitnog lima.

12.3 Motor s unutarnjim izgaranjem

Interval održavanja: Prije svake upotrebe

Provjerite razinu ulja motora (pogledajte upute za uporabu motora s unutarnjim izgaranjem).

Obratite pažnju na napomene za rukovanje i održavanje koje možete naći u priloženim uputama za uporabu motora s unutarnjim izgaranjem.

12.4 Servisni interвали



Izbjegnite štete na uređaju!

Radove na održavanju na mjenjaču treba provoditi isključivo ovlašteni trgovac.

Održavanje koje obavlja stručni serviser: Kod privatnih korisnika jednom godišnje

Motornu kopačicu bi trebao pregledati stručni serviser. STIHL preporučuje ovlaštenog STIHL trgovca.

Održavanje koje obavlja korisnik uređaja:

- **Prije svakog stavljanja u pogon**
Provjerite razinu motornog ulja (pogledajte upute za uporabu motora s unutarnjim izgaranjem)
- **Nakon svake uporabe**
Očistite uređaj. (⇒ 12.2)

12.5 Skladištenje i mirovanje (zimski stanka)



Motornu kopačicu skladištite u normalnom položaju (otključeno transportno vozno postolje). Za štednju prostora prilikom skladištenja upravljač preklonite prema natrag kako je prikazano na slici.



Opasnost od prevrtanja!

Motorna kopačica može se prevrnuti prema naprijed ako su zvjezdasti noževi za okopavanje u nepovoljnom položaju. Stoga, stalno provjeravajte je li motorna kopačica u sigurnom položaju. Ako je potrebno, lagano zakrenite zvjezdaste noževe za okopavanje da biste smanjili opterećenje. Umjesto toga možete prilikom skladištenja poduprite motornu kopačicu u dijelu ručke za nošenje.

Skladištite uređaj u suhoj, zatvorenoj prostoriji u kojoj nema puno prašine. Vodite računa da se nalazi izvan dohvata djece.

Eventualne smetnje treba u pravilu ukloniti prije skladištenja. Uređaj mora uvijek biti u stanju sigurnom za rad. Sve matice, svornjake i vijke održavajte čvrsto stegnutima, obnovite nečitljive napomene s opasnostima i upozorenjima na uređaju, provjerite čitav stroj kako biste utvrdili ima li znakova istrošenosti i oštećenja. Zamijenite istrošene i oštećene dijelove.

Kod dužeg perioda neuporabe uređaja (zimski stanka) dodatno treba obratiti pozornost na sljedeće točke:

- Temeljito očistite sve vanjske dijelove uređaja.

- Ispraznite spremnik za gorivo i rasplinjač.
- Dobro nauljite, odn. namastite sve pokretne dijelove.
- Odn. Otvrnite svječiću (pogledajte upute za uporabu motora s unutarnjim izgaranjem) i kroz otvor za svječiću ulijte oko 3 cm³ motornog ulja u motor s unutarnjim izgaranjem. Nekoliko puta provrtite motor s unutarnjim izgaranjem bez svječice (povucite pokretačko uže).



Opasnost od požara!

Zbog opasnosti od zapaljenja udaljite utikač svječice od otvora za svječiću.

- Ponovno uvrnite svječiću (pogledajte upute za uporabu motora s unutarnjim izgaranjem).
- Zamijenite ulje (pogledajte upute za uporabu motora s unutarnjim izgaranjem).
- Motor s unutarnjim izgaranjem pokrijte i uređaj pohranite u normalnom položaju.

13. Transport

13.1 Transport motorne kopačice:



Opasnost od ozljeda!

Obratite pozornost na sigurnosne napomene u poglavlju „Za vašu sigurnost“ (⇒ 4.), osobito odlomak "Transport" (⇒ 4.4).

Prije transporta isključite motor s unutarnjim izgaranjem, izvucite utikač svjećica i obucite prikladnu zaštitnu odjeću (sigurnosne cipele, rukavice, kombinezon, prekrivene ruke i noge).

Obratite pozornost na težinu! (⇒ 18.)

1 Motornu kopačicu vucite ili gurajte:

- Kočni zubac dovedite u najviši položaj. (⇒ 11.5)
- Rasklopite transportno vozno postolje. (⇒ 11.4)
- Motornu kopačicu držite čvrsto za obje ručke (1) i nagnite unatrag, sve dok uređaj ne bude na transportnim kotačima.
- Motornu kopačicu polagano (brzinom hoda) vucite ili gurajte. Na glatkim i ravnim podlogama uređaj treba gurati, a na neravnim ga je bolje vući.



Opasnost od ozljeda!

Zbog velike težine uređaja, treba posebno paziti na stepenice, pragove, kose rampe i druga povišenja.

Korisnik se mora uvijek nalaziti iznad uređaja, kako ga u slučaju gubitka kontrole uređaj ne bi pregazio – tj. uređaj preko pragova i kosina gurajte prema dolje tj. vucite prema gore.

Uređaj se smije gurati tj. vući preko maksimalno dvije do tri stepenice. Preko više stepenica motorna kopačica se mora nositi uz pomoć još jedne osobe.

2 Podizanje ili nošenje motorne kopačice:

- Provjerite čvrst dosjed gornjeg dijela upravljača.
- Motornu kopačicu neka podignu tj. nose dvojica i uvijek paze na dostatan razmak prema zvjezdastim noževima za okopavanje.

Točke za pridržavanje:

Drške (1) ručka za nošenje (2)

3 Transportirajte motornu kopačicu na utovarnoj površini:

- Motornu kopačicu transportirajte samo u **stojećem** položaju – na transportno vozno postolje i zvjezdaste noževe za okopavanje. Uređaj nikada nemojte odlagati bočno.
- Za siguran položaj rasklopite transportno vozno postolje (⇒ 11.4) i montirajte zvjezdaste noževe (⇒ 7.7), (⇒ 7.8).

- Motornu kopačicu osigurajte od klizanja i s užadi tj. remenjem vežite za utovarnu površinu.

Točke za vezanje:

Osovina transportnog voznog postolja (3) i osovina zvjezdastih noževa za okopavanje (4).

14. Zaštita okoliša



Pakiranje, uređaj i pribor proizvedeni su od reciklirajućih materijala i u skladu s time ih treba zbrinuti.

Razdvojeno, ekološko

zbrinjavanje ostataka materijala potiče ponovno korištenje sirovina. Iz tog se razloga uređaj zbrinjava na odgovarajući način nakon isteka uobičajenog vijeka trajanja.

14.1 Zbrinjavanje

Staro ulje (motorno ulje, mjenjačko ulje i gorivo) uvijek uklanjajte na stručan način.

Onesposobite motor s unutarnjim izgaranjem prije zbrinjavanja. Za to uklonite kabel paljenja, ispraznite spremnik i ispusite motorno ulje.

Opasnost od ozljeda na zvjezdastim noževima za okopavanje!

Motornu kopačicu nikada nemojte ostavljati bez nadzora, čak i neupotrebljivu. Vodite računa da se uređaj i zvjezdasti noževi za okopavanje čuvaju izvan dohvata djece.

15. Minimaliziranje trošenja i izbjegavanje šteta

Važne napomene za održavanje i njegu skupine proizvoda

Benzinske motorne kopačice (STIHL MH)

Tvrtka STIHL ne preuzima odgovornost za materijalne štete i štete nanosene osobama koje su nastale zbog nepoštivanja naputaka u uputama za rukovanje, posebice u vezi sa sigurnošću, rukovanjem i održavanjem ili zbog uporabe neodobrenih dogradnih ili rezervnih dijelova.

Molimo vas da svakako obratite pozornost na sljedeće važne napomene kako biste izbjegli oštećenja i pretjerano trošenje svojeg uređaja STIHL:

1. Potrošni dijelovi

Neki dijelovi uređaja STIHL podliježu uobičajenom trošenju čak i pri pravilnoj uporabi te se, ovisno o načinu i duljini uporabe, moraju pravodobno zamijeniti.

Između ostalog u to se ubrajaju :

- Klinasti remen
- Zvezdasti noževi za okopavanje
- Kočni zubac

2. Pridržavanje specifikacija navedenih u ovim uputama za uporabu

Korištenje, održavanje i skladištenje uređaja STIHL morate dosljedno provoditi kako je opisano u ovim uputama za uporabu. Za bilo kakvu štetu koja je nastala uslijed nepoštivanja sigurnosnih mjera te napomena za rukovanje i održavanje odgovornost snosi sam korisnik.

To se osobito odnosi na:

- neprimjerenu, odnosno neodgovarajuću uporabu proizvoda.
- Uporabu pogonskih goriva (maziva, benzin i motorno ulje, pogledajte specifikacije iz uputa za uporabu proizvođača motora s unutarnjim izgaranjem) koja nije odobrio STIHL.
- izmjene na proizvodu koje STIHL nije odobrio.
- Uporabu dogradnih dijelova, uređaja ili reznih alata koje nije odobrio STIHL.
- uporabu proizvoda u sportske ili natjecateljske svrhe.
- posljedične štete nastale uporabom proizvoda s neispravnim dijelovima.

3. Radovi na održavanju

Redovito provodite sve radove navedene u odlomku „Održavanje“.

Ako korisnik ne može sam obaviti radove na održavanju, treba se obratiti ovlaštenom trgovcu.

STIHL preporučuje obavljanje radova održavanja i popravaka samo kod ovlaštenih STIHL trgovaca.

Ovlašteni STIHL trgovci redovito se školuju i raspoložu tehničkim informacijama.

Nepridržavanje navedenih mjera može prouzročiti štete za koje, u tom slučaju, odgovornost snosi sam korisnik.

Između ostalog, u to se ubrajaju:

- korozija i druga oštećenja koja su nastala zbog neodgovarajućeg skladištenja uređaja.
- štete na uređaju uslijed uporabe rezervnih dijelova slabije kvalitete.

- štete nastale kao posljedica nepravodobnog ili nedovoljnog održavanja, odnosno štete nastale zbog održavanja ili popravaka koji nisu obavljani u ovlaštenim servisnim radionicama.

16. Uobičajeni rezervni dijelovi

Preklopni poluprsten (zvezdasti noževi za okopavanje):
9396 021 3785

MH 445, MH 445 R

Set za okopavanje unutra lijevo:
6241 710 0200

Set za okopavanje unutra desno:
6241 710 0205

Set za okopavanje vani lijevo:
6241 710 0210

Set za okopavanje vani desno:
6241 710 0215

MH 560, MH 585, MH 685

Set za okopavanje unutra lijevo:
6241 710 0220

Set za okopavanje unutra desno:
6241 710 0225

MH 585, MH 685

Set za okopavanje vani lijevo:
6242 710 0210

Set za okopavanje vani desno:
6242 710 0215

17. EU izjava o usklađenosti

17.1 Motorna kopačica STIHL MH 445.0, MH 445.0 R, MH 560.0, MH 585.0, MH 685.0

STIHL Tirol GmbH
Hans Peter Stihl-Straße 5
6336 Langkampfen
Austrija

izjavljuje uz samostalnu odgovornost da

- Izvedba: Motorna kopačica
- Tvornička marka: STIHL
- Vrsta: MH 445.0, MH 445.0 R,
MH 560.0, MH 585.0, MH 685.0
- Serijska oznaka: 6241

odgovara relevantnim odredbama Direktiva 2000/14/EC, 2006/42/EC, 2014/30/EU i 2011/65/EU te da je razvijena i proizvedena u skladu s verzijama sljedećih normi koje su na snazi na dan proizvodnje: EN 709 i EN 14982 (ovisno o primjenjivosti).

Naziv i adresa ovlaštene ustanove:
TÜV Rheinland LGA Products GmbH
Tillystraße 2
D-90431 Nürnberg

Izmjerena i zajamčena razina zvučne snage utvrđena je u skladu s Direktivom 2000/14/EC, prilog VIII.

MH 445.0, MH 445.0 R

- Izmjerena razina zvučne snage:
92 dB(A)
- Jamčena razina zvučne snage:
93 dB(A)

MH 560.0, MH 585.0

- Izmjerena razina zvučne snage:
91,3 dB(A)
- Jamčena razina zvučne snage:
93 dB(A)

MH 685.0

- Izmjerena razina zvučne snage:
92,4 dB(A)
- Jamčena razina zvučne snage:
93 dB(A)

Tehnička dokumentacija pohranjena je u odjelu za potvrdu tehničke ispravnosti proizvoda tvrtke STIHL Tirol GmbH.

Godina proizvodnje i broj stroja navedeni su na motornoj kopačici.

Langkampfen, 02.11.2020

STIHL Tirol GmbH

zastupa



Matthias Fleischer, voditelj odjela za istraživanje i razvoj

zastupa



Sven Zimmermann, voditelj odjela za osiguranje i unapređenje kvalitete

17.2 Servisa - Rezervni dijelovi

STIHL Tirol GmbH obavezuje se da će preko svog uvoznika opskrbljivati tržište rezervnim dijelovima i servisom sljedećih 7 godina. Uvoznik je trenutno UNIKOMERC - UVOZ d.o.o.

17.3 Adresa glavne uprave tvrtke STIHL

ANDREAS STIHL AG & Co. KG
Postfach 1771
D-71301 Waiblingen

17.4 Adrese distributera STIHL

NJEMAČKA

STIHL Vertriebszentrale AG & Co. KG
Robert-Bosch-Straße 13
64807 Dieburg
Telefon: +49 6071 3055358

AUSTRIJA

STIHL Ges.m.b.H.
Fachmarktstraße 7
2334 Vösendorf
Telefon: +43 1 86596370

ŠVICARSKA

STIHL Vertriebs AG
Isenrietstraße 4
8617 Mönchaltorf
Telefon: +41 44 9493030

ČEŠKA REPUBLIKA

Andreas STIHL, spol. s r.o.
Chrlická 753
664 42 Modřice

17.5 Adrese uvoznika STIHL

BOSNA I HERCEGOVINA

UNIKOMERC d. o. o.
Bišće polje bb
88000 Mostar
Telefon: +387 36 352560
Faks: +387 36 350536

HRVATSKA

UNIKOMERC - UVOZ d.o.o.
Sjedište:
Amruševa 10, 10000 Zagreb
Prodaja:
Ulica Kneza Ljudevita Posavskog 56,
10410 Velika Gorica
Telefon: +385 1 6370010
Faks: +385 1 6221569

TURSKA

SADAL TARIM MAKİNALARI DIŞ
TİCARET A.Ş.
Alsancak Sokak, No:10 I-6 Özel Parsel
34956 Tuzla, İstanbul
Telefon: +90 216 394 00 40
Faks: +90 216 394 00 44

18. Tehnički podaci

MH 445.0 / MH 445.0 R / MH 560.0 / MH 585.0 / MH 685.0

Serijska oznaka	6241
Motor s unutarnjim izgaranjem, izvedba	4-taktni motor s unutarnjim izgaranjem
Naprava za pokretanje	Pokretanje užetom
Prema Direktivi 2000/14/EC:	
Jamčena razina zvučne snage L_{WAAd}	93 dB(A)

MH 445.0 / MH 445.0 R

Tip motora	B&S Series 550 EX OHV RS
Obujam	140 ccm
Nazivna snaga kod nazivnog broja okretaja	2,2 - 3100 kW - o/min
Spremnik za gorivo	0,8 l
Alat	4 elementa za kopanje, 2 diska za zaštitu biljaka
Promjer seta za okopavanje	30 cm
Radni broj okretaja kod ispitnog broja okretaja	124 o/min
Ispitni broj okretaja	3100 o/min
Prema Direktivi 2006/42/EC:	
Razina zvučnog tlaka na radnom mjestu	
L_{pA}	80 dB(A)
Nesigurnost K_{pA}	2 dB(A)
Navedena karakteristična vrijednost vibracija prema normi EN 12096:	
Izmjerena vrijednost	
a_{hw}	5,50 m/s ²
Nesigurnost K_{hw}	2,20 m/s ²
Mjerenje prema normi EN 20643	
Pogon MH 445.0	1 stupanj prijenosa za vožnju prema naprijed
Pogon MH 445.0 R	1 stupanj prijenosa za vožnju prema naprijed 1-brzina unatrag
Težina	36 kg / 37 kg

MH 560.0/ MH 585.0

Tip motora	Kohler HD675
Obujam	149 ccm
Nazivna snaga kod nazivnog broja okretaja	2,3 - 3000 kW - o/min
Spremnik za gorivo	1,4 l
Alat MH 560.0	2 elementa za kopanje, 2 diska za zaštitu biljaka
Alat MH 585.0	4 elementa za kopanje, 2 diska za zaštitu biljaka
Promjer seta za okopavanje	32 cm
Radni broj okretaja seta za okopavanje kod ispitnog broja okretaja	120 o/min
Ispitni broj okretaja	3000 o/min
Prema Direktivi 2006/42/EC:	
Razina zvučnog tlaka na radnom mjestu	
L_{pA}	79 dB(A)
Nesigurnost K_{pA}	2 dB(A)
Navedena karakteristična vrijednost vibracija prema normi EN 12096:	
Izmjerena vrijednost	
a_{hw}	5,00 m/s ²
Nesigurnost K_{hw}	2,50 m/s ²
Mjerenje prema normi EN 20643	
Pogon	1 stupanj prijenosa za vožnju prema naprijed 1-brzina unatrag
Težina	41 kg / 44 kg
MH 685.0	
Tip motora	Kohler HD775

MH 685.0

Obujam 173 ccm
 Nazivna snaga kod nazivnog broja okretaja 2,9 - 3200 kW - o/min
 Spremnik za gorivo 1,4 l
 Alat 4 elementa za kopanje, 2 diska za zaštitu biljaka

Promjer seta za okopavanje 32 cm

Radni broj okretaja seta za okopavanje kod ispitnog broja okretaja 128 o/min

Ispitni broj okretaja 3200 o/min

Prema Direktivi 2006/42/EC:

Razina zvučnog tlaka na radnom mjestu

L_{pA} 80 dB(A)

Nesigurnost K_{pA} 2 dB(A)

Navedena karakteristična vrijednost vibracija prema normi EN 12096:

Izmjerena vrijednost

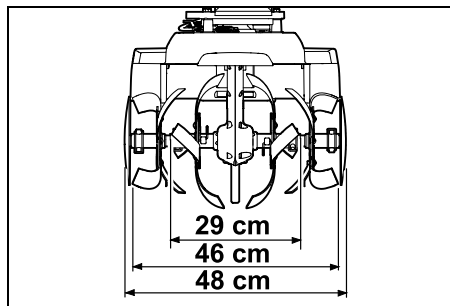
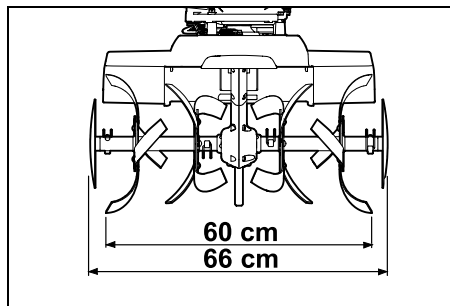
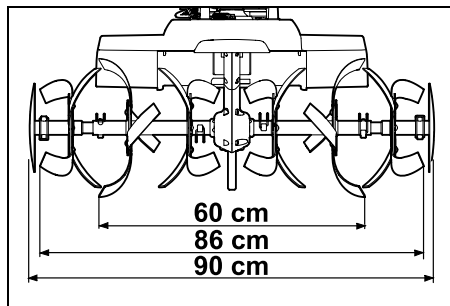
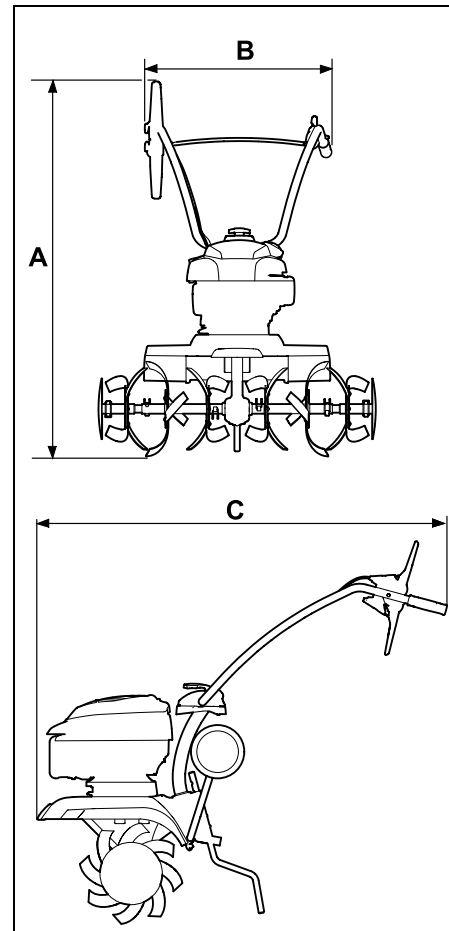
a_{hw} 6,00 m/s^2

Nesigurnost K_{hw} 2,40 m/s^2

Mjerenje prema normi EN 20643

Pogon 1 stupanj prijenosa za vožnju prema naprijed
 1-brzina unatrag

Težina 46 kg

MH 445.0, MH 445.0 R:**MH 560.0:****MH 585.0, MH 685.0:****MH 445.0, MH 445.0 R, MH 560.0, MH 585.0, MH 685.0:****MH 445.0, MH 445.0 R:**

A = 118 cm

B = 57 cm

C = 122 cm

MH 560.0, MH 585.0, MH 685.0:

A = 119 cm

B = 57 cm

C = 122 cm

18.1 REACH

REACH označava uredbu EU o registraciji, evaluaciji i autorizaciji kemikalija.

Informacije o ispunjavanju REACH uredbe (EZ) br. 1907/2006 navedene su na stranici www.stihl.com/reach

19. Traženje pogrešaka

✘ Eventualno potražite ovlaštenog trgovca, STIHL preporučuje ovlaštenog STIHL trgovca.

📖 Razina motornog ulja (vidi upute za uporabu motora s unutarnjim izgaranjem).

Smetnja:

Motor s unutarnjim izgaranjem se ne pokreće.

Mogući uzrok:

- Poluga za namještanje gasa u položaju zaustavljanja
- Nema goriva u spremniku; vod goriva začepljen
- Loše, onečišćeno ili staro gorivo u spremniku
- Utikač svjećice svučen sa svjećice; kabel za paljenje loše pričvršćen na utikaču
- Svjećica začađena ili oštećena; pogrešan razmak elektroda
- Zračni filter je prljav
- Motor s unutarnjim izgaranjem je „zagušen“ zbog više pokušaja pokretanja

Pomoć:

- Polugu podešavanja gasa staviti u startni položaj (⇒ 8.1)

- Punjenje goriva (⇒ 7.15); Očistite vodove goriva (✘)
- Upotrijebite svježe gorivo priznate marke (bezolovni benzin) (⇒ 7.15); Očistite rasplinjač (✘)
- Nataknite utikač svjećice (📖); Provjerite spoj između kabela paljenja i utikača (✘)
- Očistite/zamijenite svjećicu (📖), (✘); Namjestite razmak elektroda (✘)
- Očistite/zamijenite zračni filter (✘)
- Odvijte svjećicu i osušite je, gurnite ručicu gasa u zaustavni položaj i potegnite pokretačko uže više puta dok je svjećica izvučena (📖)

Smetnja:

Otežano pokretanje ili slabljenje snage motora s unutarnjim izgaranjem

Mogući uzrok:

- Voda u spremniku za gorivo ili u rasplinjaču; rasplinjač je začepljen
- Spremnik za gorivo je prljav
- Zračni filter je prljav
- Svjećica je začađena

Pomoć:

- Ispraznite spremnik za gorivo, očistite vod goriva i rasplinjač (✘)
- Očistite spremnik za gorivo (✘)
- Očistite/zamijenite zračni filter (📖), (✘)
- Očistite/zamijenite svjećicu (📖), (✘)

Smetnja:

Motor s unutarnjim izgaranjem previše se zagrijava

Mogući uzrok:

- Onečišćena rashladna rebra.
- Preniska razina ulja u motoru s unutarnjim izgaranjem

- Motor s unutarnjim izgaranjem je na površini prekriven sa zemljom

Pomoć:

- Očistite rashladno rebro (⇒ 12.2)
- Doliti motorno ulje (⇒ 7.15)
- Uklonite zemlju s motora s unutarnjim izgaranjem

Smetnja:

Motor s unutarnjim izgaranjem radi nemirno

Mogući uzrok:

- Zračni filter je prljav

Pomoć:

- Očistite/zamijenite zračni filter (📖), (✘)

Smetnja:

Jako stvaranje dima

Mogući uzrok:

- Previsoka razina ulja
- Zračni filter je prljav

Pomoć:

- Prilagodite količinu ulja (📖)
- Očistite/zamijenite zračni filter (📖), (✘)

Smetnja:

Snažne vibracije za vrijeme rada

Mogući uzrok:

- Pričvršćenje motora je labavo

Pomoć:

- Zategnite vijke za pričvršćenje motora (✘)

Smetnja:

Smanjen radni učinak

Mogući uzrok:

- Zvezdasti noževi za okopavanje pogrešno montirani
- Zvezdasti noževi istrošeni

- Krivo namješten kočni zubac

Pomoć:

- Ispravno montirajte zvjezdaste noževe (⇒ 7.7), (⇒ 7.8)
- Zamijenite zvjezdaste noževe za okopavanje (✘)
- Namještanje kočnog zupca (⇒ 11.5)

Smetnja:

Nema radnog učinka

Mogući uzrok:

- Na pogonskom vratilu nema preklopnog poluprstena

Pomoć:

- Prekontrolirajte pričvršćenje zvjezdastih noževa za okopavanje na pogonskom vratilu (⇒ 7.7), (⇒ 7.8)

Smetnja:

Glasan šum na mjenjaču

Mogući uzrok:

- Pogrešna razina ulja u mjenjaču

Pomoć:

- Provjeriti razinu ulja u mjenjaču (✘)

Smetnja:

Pogonsko vratilo se ne okreće kod aktivirane poluge voznog pogona

Mogući uzrok:

- Pokretačko uže neispravno
- Pogonsko remenje istrošeni

Pomoć:

- Provjerite odn. zamijenite uže (✘)
- Zamijenite remen (✘)


20. Servisni plan

20.1 Potvrda predaje

Model: _____

Serijski broj:

Datum:



Sljedeći servis

Datum:

20.2 Potvrda servisa



Prilikom radova na održavanju dajte ove upute za uporabu svom ovlaštenom STIHL trgovcu. On na označenim poljima potvrđuje da su provedeni servisni radovi.

 Datum obavljenog servisa

 Datum sljedećeg servisa

Скъпи купувачи,

Ние се радваме, че сте избрали изделие на фирмата STIHL. Ние разработваме и произвеждаме продукти с най-високо качество в съответствие с изискванията на нашите клиенти. По този начин продуктите ни се отличават с висока надеждност дори при приложението им в най-тежки условия на експлоатация.

STIHL също така държи на най-високото качество в обслужването. Сътрудниците в специализираните ни търговски обекти са готови да Ви дадат компетентна консултация и съвети, както и да поемат комплексното техническо обслужване на закупените от Вас апарати.

Благодарим Ви за доверието и Ви пожелаваме удоволствие при ползването на изделието от фирмата STIHL.



Д-р Nikolas Stihl

ВАЖНО! ПРОЧЕТЕТЕ ПРЕДИ УПОТРЕБА – И СЪХРАНЯВАЙТЕ.

1. Съдържание

За тази инструкция за експлоатация	308
Общи указания	308
Указания за четене на инструкцията за експлоатация	308
Описание на уреда	309
За Вашата безопасност	309
Общи указания	309
Зареждане и работа с бензин	310
Облекло и екипировка	311
Транспортиране на уреда	311
Преди работа	311
По време на работа	312
Поддръжка и ремонти	314
Съхранение при продължително неизползване на уреда	316
Изхвърляне	316
Описание на символите	316
Окомплектовка	317
Подготовка на уреда за пускане в експлоатация	318
Указания за монтаж	318
Монтиране на ходовия механизъм	318
Монтиране на спирачния шплинт	318
Монтиране на лоста за управление	319
Вдигане на лоста за управление	319
Монтиране на предпазните спойлери	319
Монтиране на работен орган МН 445, МН 445 R	319
Монтиране на работните органи МН 445, МН 585, МН 685	320
Монтиране на диска за предпазване на растенията	321
Монтиране на лоста за задвижване на ходовата част	321
Прекарване на стартовото въже	321
Закачане на стартовото въже	322
Прекарване и монтиране на жилото за газта	322
Фиксиране на въжетата и жилото към лоста за управление	322
Гориво и моторно масло	322
Командни елементи	323
Лост за настройка на газта	323
Лост за задвижване на ходовата част	323
Защитни приспособления	324
Блокировка на лоста за задвижване на ходовата част	324
Защитни приспособления	324
Указания за работа	324
Работна зона на оператора	324
Работна позиция на уреда	324
Комбинации от работни органи	324
Идеално положение на тялото при работа	325
Пускане на уреда в експлоатация	325
Подготвителни дейности	325
Регулиране на височината на горната част на ръкохватката	325
Странично изместване на лоста за управление	325
Разгъване и сгъване на ходовия механизъм за транспортиране	325
Настройване на спирачния шплинт	326
Стартиране на двигателя с вътрешно горене	326

Изключване на двигателя с вътрешно горене	326
Включване и изключване на задвижването на ходовата част (напред):	326
Включване и изключване на задвижването на ходовата част (назад) (МН 445 R, МН 560, МН 585, МН 685)	326
Копачене	327
Поддръжка	327
Демонтиране на работните органи	327
Почистване на уреда	328
Двигател с вътрешно горене	328
Интервал за поддръжка	328
Съхранение и временно спиране от експлоатация (през зимата)	329
Транспортиране	329
Транспортиране на моторната фреза	329
Опазване на околната среда	330
Изхвърляне	330
Минимизиране на износването и предотвратяване на повреди	330
Обичайни резервни части	331
ЕС Декларация за съответствие	331
Мотофреза STIHL МН 445.0, МН 445.0 R, МН 560.0, МН 585.0, МН 685.0	331
Технически данни	332
REACH	334
Откриване на повреди	334
Сервизен план	336
Потвърждение за предаване	336
Потвърждение за извършена сервизна поддръжка	336

2. За тази инструкция за експлоатация

2.1 Общи указания

Тази инструкция за експлоатация е **оригинална инструкция за експлоатация** от производителя по смисъла на Директива 2006/42/ЕС на Европейския парламент и на Съвета.

STIHL работи непрекъснато за усъвършенстване на асортимента си; затова си запазваме правото на промени във формата, техниката и оборудването.

Ето защо данните и илюстрациите в настоящата инструкция не могат да бъдат основание за предявяване на каквито и да е претенции.

В тази инструкция за експлоатация може да има описани модели, които не са налични във всяка страна.

Тази инструкция за експлоатация е защитена от авторското право. Всички права са запазени, по-специално правото на размножаване, превод и обработка с електронни системи.

2.2 Указания за четене на инструкцията за експлоатация

Фигурите и текстовете описват определени стъпки на действие.

Всички поставени върху уреда пиктограми са пояснени в тази инструкция за експлоатация.

Посока на погледа:

Посока на погледа при употреба на „наляво“ и „надясно“ в инструкцията за експлоатация:

Потребителят е застанал зад уреда и гледа напред по посока на движението.

Препратка към глава:

Препратките към глави и раздели за допълнителни обяснения се отбелязват със стрелка. Следният пример показва препратка към глава: (⇒ 4.)

Обозначаване на пасажи от текста:

Описаните указания могат да бъдат обозначени по различен начин.

Работни стъпки, които изискват действие от страна на потребителя:

- Развийте болта (1) с отвертка, задействайте лоста (2)...

Общи изброявания:

- Използване на продукта при спортни или състезателни мероприятия

Текстове с допълнително значение:

Тези пасажи са обозначени с един от описаните по-долу символи, за да бъдат по-добре открити в инструкцията за експлоатация.



Опасност!

Опасност от злополука и тежко нараняване на хора.

Извършването на определени действия е необходимо или трябва да се избягва определено поведение.



Предупреждение!

Опасност от нараняване на хора. Извършването на определени действия предпазва от възможни или вероятни наранявания.



Внимание!

Леки наранявания или материални щети могат да бъдат предотвратени с извършване на определени действия.



Указание

Информация за по-добро използване на уреда и за избягване на евентуалното му неправилно обслужване.

Текстове, отнасящи се към фигури:

Фигурите, на които е показан начинът на употреба на уреда, се намират в началото на инструкцията за експлоатация.

Този символ показва връзката между фигурите в началото и съответния текст в инструкцията за експлоатация.



3. Описание на уреда



- 1 Лост за задвижване на ходовата част (напред)
- 2 Горна част на ръкохватката
- 3 Затегателен лост
- 4 Стартерно въже
- 5 Двигател с вътрешно горене
- 6 Накрайник на запалителната свещ
- 7 Предпазен спойлер
- 8 Диск, предпазващ растенията
- 9 Работни органи
- 10 Дръжка за носене

- 11 Предпазен спойлер
- 12 Ходов механизъм за транспортиране
- 13 Спирачен шплинт
- 14 Лост за освобождаване (ходов механизъм за транспортиране)
- 15 Деблокиращ болт (спирачен шплинт)
- 16 Ръкохватка
- 17 Лост за настройка на газта
- 18 МН 445 R, МН 560, МН 585, МН 685: Лост за задвижване на ходовата част (назад)
- 19 Табелка за мощността с машинен номер

4. За Вашата безопасност

4.1 Общи указания



Непременно спазвайте тези правила за техника на безопасност при работа с уреда.



Преди първото пускане на уреда в действие трябва да прочетете внимателно цялата инструкция за експлоатация.

Съхранявайте старателно инструкцията за експлоатация, за да я ползвате и в бъдеще.

Спазвайте указанията за обслужване и поддръжка, които ще намерите в отделната инструкция за експлоатация на двигателя с вътрешно горене.

Тези предпазни мерки (списъкът не е пълен) са задължителни за Вашата безопасност. Винаги използвайте уреда разумно и отговорно и не забравяйте,

че потребителят носи отговорност при злополука с трети лица или материални щети по тяхната собственост.

Запознайте се с командните елементи и с употребата на уреда. Операторът трябва да знае най-вече как да изключи бързо работните инструменти и двигателя с вътрешно горене на уреда.

Уредът да се използва само от лица, които са прочели инструкцията за експлоатация и са запознати с начина на работа с него. Преди първото пускане на уреда в експлоатация всеки потребител трябва да се постарее да получи компетентна и практическа подготовка за работа с него. Той трябва да получи указания от продавача или от друго квалифицирано лице за безопасната употреба на уреда.

Целта на тези указания е преди всичко да накарат потребителя да осъзнае, че са необходими изключително внимание и концентрация от негова страна, докато работи с уреда.

Дори когато обслужвате този уред според указанията, винаги съществува остатъчен риск.



Опасност за живота поради задушаване!

Съществува опасност за децата, които си играят с опаковките. Задължително дръжте опаковките извън обсега на деца.

Уредът, включително всички приспособления за допълнително монтиране, могат да се предоставят или отдават под наем само на лица, принципно запознати с този модел и работата с него. Инструкцията за експлоатация е част от уреда и винаги трябва да бъде предавана заедно с него.

Използвайте уреда само когато сте отпочинали и в добро физическо и психическо състояние. Ако имате здравословни проблеми, трябва да се консултирате с Вашия лекар дали можете да работите с уреда. Не работете с уреда след употреба на алкохол, наркотици или забавящи способността за реагиране лекарства.

Уверете се, че потребителят има физическа, сетивна и психическа способност да обслужва уреда и да работи с него. Ако потребителят има ограничена физическа, сетивна или психическа възможност за това, той трябва да работи с него под надзора и според указанията на отговорно лице.

Уверете се, че потребителят е пълнолетен или е бил обучен за съответната професия според националните разпоредби и под съответния надзор.

Внимание – опасност от злополука!

Мотофрезата е предназначена само за обработка на почвата, която служи за сеитба, обработване на земята или грижа за растенията. Използвайте я само както е описано в тази инструкция за експлоатация. Не променяйте предназначението ѝ! Използването ѝ за други цели не е позволено и може да е опасно. Това може да доведе до наранявания или повреди по уреда.

Поради опасност от телесни повреди на оператора не се разрешава използването на Мотофрезата за следните дейности (списъкът не е пълен):

- обработка на насаждения по покриви и в балконски саксии;

- раздробяване и надробяване на отрязани клони от дървета и жив плет.

С уреда не бива да се транспортират хора, особено деца, животни или предмети.

От съображения за сигурност се забранява извършване на каквато и да било промяна по уреда с изключение на квалифицирания допълнителен монтаж на одобрени от STIHL принадлежности, освен това такава промяна би довела и до отмяна на гаранцията. Информация за одобрените принадлежности можете да получите от вашия специализиран търговец на STIHL.

Изрично се забранява всякаква манипулация по уреда, която повишава мощността или честотата на въртене на двигателя с вътрешно горене, съотв. на електродвигателя.

При използване на уреда в обществени обекти, паркове, на спортни площадки, по улици и в селскостопански и горски предприятия се изисква повишено внимание.



Внимание! Опасност за здравето поради вибрации!

Прекомерното излагане на вибрации може да увреди кръвообращението или нервите на горните крайници, особено при хора с проблеми в кръвообращението. Обърнете се към лекар при появата на симптоми, които биха могли да са резултат от излагане на вибрации. Такива симптоми, които се появяват основно по пръстите, ръцете или китките, са напр. (списъкът не е пълен):

- липса на чувствителност,
- болки,

- мускулна слабост,
- дисхромия на кожата,
- неприятен сърбеж.

Дръжте по време на работа ръкохватката здраво, но не напрегнато, с две ръце на предвидените за целта места.

Времето за работа да се планира така, че да се избягват по-високите натоварвания за по-продължителен период от време.

Планирайте почивки по време на работа с мотофрезата и избягвайте да я използвате продължително време, тъй като постоянните вибрации вредят на здравето.

4.2 Зареждане и работа с бензин



Опасност за живота!

Бензинът е отровен и лесно възпламеним.

Съхранявайте бензина само в предвидени за тази цел и проверени съдове (туби). Капачките на тубите за гориво трябва винаги правилно да са завинтени и затегнати. От съображения за сигурност дефектните капачки трябва да се подменят.

Никога не използвайте бутилки за напитки или подобни съдове за изхвърляне или съхранение на гориво. Трети лица, и по-специално деца, могат по грешка да пият от тях.



Дръжте бензина далеч от искри, открити пламъци, огън, източници на топлина и други източници на запалване. Не пушете!

Зареждайте с гориво само на открито и не пушете, докато зареждате.

Преди зареждане изключете двигателя с вътрешно горене и го оставете да изстине.

Зареждането с бензин трябва да се извършва преди стартиране на двигателя с вътрешно горене. По време на работа на двигателя с вътрешно горене или при загрята машина капачката на резервоара не бива да се отваря или да се зарежда гориво.

Не препълвайте резервоара за гориво!

За да оставите място за разширяване на горивото, никога не пълнете резервоара за гориво над долния ръб на крайника за пълнене.



В допълнение спазвайте указанията в инструкцията за експлоатация на двигателя с вътрешно горене.

В случай че е изтекъл бензин, запалете двигателя с вътрешно горене едва след като почистите замърсената с бензин повърхност. Избягвайте всякакъв опит за запалване, докато бензиновите пари не са се изпарили (подсушете чрез забърсване).

Веднага избършете разлятото гориво.

Ако по дрехите е попаднал бензин, те трябва да се сменят.

Никога не съхранявайте уреда на закрито с бензин в резервоара. Образоващите се бензинови пари могат да влязат в досег с открити пламъци или искри и да се възпламенят.

В случай че резервоарът има нужда от изпразване, това трябва да се извършва на открито.

4.3 Облекло и екипировка



По време на работа винаги носете затворени обувки с грайферни подметки. Никога не работете боси или с леки обувки, например сандали.



При дейности по поддръжка и почистване, както и при транспортиране, винаги носете плътни предпазни ръкавици и прибирайте добре дългата коса (кърпа за глава, шапка и др.).



При работа с уреда носете подходящо за целта и плътно прилепнало облекло, т.е. комбинезон, а не работна престилка. По време на работа с уреда не носете шалове, вратовръзки, украшения, висящи ленти или верижки и други подобни елементи от облеклото и аксесоари.

Въртящите се компоненти могат да закачат или захванат части от косата, облеклото или аксесоарите. Това може да причини тежки наранявания.

4.4 Транспортиране на уреда

Работете само с ръкавици, за да избегнете наранявания от части на уреда, които са горещи или с остри ръбове.

Не транспортирайте уреда с работещ двигател с вътрешно горене. Преди да го транспортирате, изключете двигателя с вътрешно горене, изчакайте работните инструменти да спрат и извадете контактния крайник на запалителната свещ.

Транспортирайте уреда само с изстинал двигател с вътрешно горене и с празен резервоар за гориво.

Прочетете и спазвайте указанията в глава „Транспортиране“. Там е описано как да вдигате и закрепвате уреда. (⇒ 13.)

Винаги носете уреда по двама. Спазвайте местата за хващане.

За товарене използвайте подходящи помощни съоръжения (товарни рампи, подечни механизми).

От съображения за сигурност при транспортиране и товарене на уреда, особено при използване на товарни рампи, ъгълът на наклон не бива да превишава 15°.

Закрепете уреда и транспортираните заедно с него компоненти върху товарната платформа с помощта на крепежни средства с подходящи размери (ремъци, въжета и др.). Никога не транспортирайте уреда необезопасен.

STIHL препоръчва мотофрезата да се транспортира в подходящо ремарке или върху подходяща товарна платформа, а не в купето на автомобил (напр. в багажника).

При транспортиране на уреда спазвайте местните законови разпоредби и по-специално отнасящите се до безопасността при товарене и транспорт на изделия върху товарни платформи.

4.5 Преди работа

Уверете се, че с уреда работят само лица, които са запознати с инструкцията за експлоатация.

Преди пускане на уреда в експлоатация проверете уплътнеността на горивната система, особено на видимите части, като напр. резервоар, капачка на резервоара, свързвания на маркучите. В случай на неуплътненост или повреда не стартирайте двигателя с вътрешно горене – **опасност от изгаряне!** Занесете уреда на ремонт при специализиран търговец.

Спазвайте позволените часове, определени в местните разпоредби, за работа с градински уреди, оборудвани с двигател с вътрешно горене.

Проверете целия терен, върху който ще бъде използван уредът, и отстранете всички големи камъни, пръчки, жици, кости и всякакви други странични предмети, които могат да бъдат изхвърлени от него.

Скритите в земята съоръжения (дъждовални инсталации, пилоти, водни клапани, фундаменти, електрически проводници и т.н.) трябва ясно да се обозначат преди работа с уреда и да се заобикалят. Никога не преминавайте с уреда през такива чужди обекти.

Преди употреба на уреда всички неизправни, износени и повредени части трябва да се заменят. Станалите нечетливи или повредени предупредителни стикери по уреда трябва да се подменят. Вашият специализиран търговец на STIHL поддържа наличност от резервни стикери и всички други резервни части.

Преди употреба на уреда проверете дали контактният накрайник е поставен плътно и сигурно към запалителната свещ.

Уредът може да се използва само в състояние на безопасна експлоатация. Преди всяко пускане на уреда в експлоатация проверете

- дали целият уред е монтиран в съответствие с указанията;
- дали защитните приспособления (напр. лост за задвижване на ходовата част, предпазни спойлери, защитни капаци, ръкохватка, предпазна решетка) са в изправно състояние и функционират правилно. Никога не използвайте уреда, ако защитните приспособления са повредени, износени или липсват.
- дали работните инструменти (работните органи), крепежните болтове и шплинтове са налице и дали не са износени или повредени (с резки или пукнатини). Износените или повредени части трябва да се сменят.
- дали работните инструменти (работните органи) са монтирани здраво и сигурно;
- дали лостът за задвижване на ходовата част функционира изправно и плавно;
- дали капачката на резервоара е завинтена правилно;
- дали резервоарът и горивопроводните части, както и капачката на резервоара, са в изправно състояние;
- дали винтовата тапа за маслото е завинтена правилно;

- дали използваните в уреда принадлежности са монтирани в пълен комплект и в съответствие с указанията. Всички компоненти, които са включени в съдържанието на комплекта принадлежности, трябва да се монтират и използват.

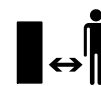
При нужда извършете сами всички необходими дейности или се обърнете към специализиран търговец. STIHL препоръчва своите специализирани търговци.

Предпазните спойлери отляво и отдясно трябва да се съобразят със съответната работна ширина и винаги да се монтират правилно. Ако работната ширина при моделите МН 445 и МН 445 R се увеличи поради допълнително поставените работни органи (принадлежности на STIHL), трябва да бъдат монтирани и по-големите предпазни спойлери (включени в съдържанието на комплекта принадлежности).

Избутайте или изтеглете уреда до площта, която ще обработвате, с помощта на транспортните колела.

Преди да пуснете уреда в експлоатация, отстранете всички поставени върху него предмети (инструменти, кърпи и др.).

4.6 По време на работа



Не допускайте странични лица в опасната зона! Никога не използвайте уреда, ако в опасната зона има хора, особено деца, или животни.

Внимание! По време на работа уредът изхвърля нагоре и настрани предмети като пръст, камъни и др.

Уредът може да се управлява само от един човек. Операторът не бива да напуска работната зона, докато двигателят с вътрешно горене работи. (⇒ 10.1)

По време на експлоатация уредът никога не трябва да се повдига, бутане или дърпа за ръкохватката за носене, предпазния кожух или други негови части освен за ръкохватките (особено ако има и втори човек).

Монтираните на уреда прекъсвачи и защитни приспособления не бива да бъдат отстранявани или припокривани. Никога не фиксирайте лоста за задвижване на ходовата част към горната част на лоста за управление (напр. чрез привързване).



Внимание – опасност от нараняване!

Никога не поставяйте ръцете или краката си до или под въртящи се части. Спазвайте винаги определената от лоста за управление безопасна дистанция. Безопасното разстояние съответства на дължината на монтираната според указанията ръкохватка в разгънато състояние. Не модифицирайте ръкохватката и не използвайте уреда, когато тя е сгъната.

Никога не закачайте предмети по ръкохватката (напр. работно облекло).

Работете само на дневна светлина или при добро изкуствено осветление.

Не работете с уреда при дъжд, буря и особено когато има опасност от удар на мълния.

Ако теренът е влажен, опасността от злополука се увеличава поради намалена стабилност на оператора. Работете много внимателно, за да

избягнете подхлъзване. По възможност избягвайте използване на уреда върху влажни терени.

Не пускайте уреда в експлоатация с монтирани работни органи върху асфалтови настилки, каменни плочки и т.н.

Използвайте уреда с особено внимание, когато работите в близост до склонове, теренни ръбове, изкопи и диги. Особено внимавайте да се намирате на достатъчно разстояние от подобни опасни места.

Изгорели газове:



Опасност за живота поради отравяне!

При прилошаване, главоболие, проблеми със зрението (напр. стеснено зрително поле), нарушения на слуха, световъртеж, намалена способност за концентрация веднага спрете работа. Тези симптоми може да са предизвикани от прекалено висока концентрация на изгорели газове.



Уредът започва да произвежда отровни изгорели газове още със запалване на двигателя с вътрешно горене.

Тези газове съдържат отровен въглероден окис, газ без цвят и мирис, както и други вредни вещества. Никога не палете двигателя с вътрешно горене в затворени или недобре проветриви помещения.

Обърнете внимание на посоката, в която излизат изгорелите газове от ауспуха. Никога не насочвайте ауспуха към хора.

Стартиране:

Стартирайте уреда внимателно – следвайте указанията в глава „Пускане на уреда в експлоатация“. (⇒ 11.) Стартирането съгласно тези указания намалява опасността от нараняване.

Опасност от нараняване!

Когато стартерното въже се връща бързо обратно, ръката и рамото се изтеглят по-бързо към двигателя с вътрешно горене, отколкото стартерното въже може да бъде пуснато. Поради този откат може да се стигне до счупване на кости, притискания и разтежения.

Внимавайте да има достатъчно разстояние между работните инструменти и краката Ви.

При стартиране уредът не бива да е наклонен.

При стартиране лостовите за задвижване на ходовата част не трябва да бъдат задействани.

Работа по склонове:

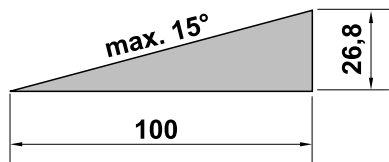
Работете винаги напречно, а не надлъжно на склона.

При работа по склонове потребителят никога не трябва да застава под нивото на работещия уред. В противен случай, ако загуби контрол над уреда, той може да бъде прегазен от него.

Бъдете особено внимателни, когато промените посоката на движение по склона.

Винаги осигурявайте добра стабилност на уреда при работа по склонове и избягвайте да работите по прекалено стръмни склонове.

При употреба по склонове уредът може да се преобърне. От съображения за сигурност уредът не бива да се използва по склонове с наклон над 15° (26,8 %). **Опасност от нараняване!** 15° наклон на склона отговарят на вертикално нарастване от 26,8 см на 100 см хоризонтална дължина.



За осигуряване на достатъчно смазване на двигателя при използване на уреда по склонове вижте още и информацията в доставената заедно с него инструкция за експлоатация на двигателя с вътрешно горене.

По време на работа:



Опасност от нараняване!

Никога не поставяйте ръцете или краката си над, под или до въртящите се части.

От съображения за сигурност по време на работа уредът трябва да се държи винаги с две ръце, поставени върху ръкохватките. Никога не дръжте уреда с една ръка, когато работите с него.

Регулирайте работната дълбочина само чрез натискане на спирания шплинт.

Използвайте уреда с особено внимание при трудни за обработка почви (напр. каменисти или твърди) – ограничете скоростта на въртене на работните инструменти (регулиране на газта).

Винаги управлявайте уреда с пешеходна скорост и в никакъв случай не тичайте, докато работите с него. Управлението на уреда с по-голяма скорост увеличава опасността от нараняване в резултат на препъване, подхлъзване и т.н.

Внимание – опасност от нараняване!

Бъдете много предпазливи и особено внимавайте да има достатъчно разстояние между работните инструменти (работните органи) и краката ви, когато сменяте посоката на движение на уреда, придърпвате го към себе си или използвате задната скорост.

Внимание – опасност от препъване!

Внимавайте да няма препятствия зад вас, когато се движите на заден ход с уреда.

Ако уредът затъне, изключете двигателя с вътрешно горене и извадете контактния накрайник на запалителната свещ Повдигнете и освободете уреда с помощта на друг човек.

Изгасете двигателя с вътрешно горене:

- когато се налага машината да се наклони с цел транспортиране;
- когато бутате или теглите машината от или към обработваната площ;
- преди да оставите уреда без надзор;
- преди да заредите с гориво. Зареждайте уреда с гориво само при изстинял двигател с вътрешно горене. **Опасност от пожар!**
- когато бутате или теглите машината по площ, която няма да обработвате.

Изключете двигателя с вътрешно горене и извадете контактния накрайник на запалителната свещ:

- преди да освободите блокиранията;
- преди да вдигате и пренасяте уреда;
- преди да транспортирате уреда;
- преди проверка или почистване на уреда или преди извършване на други работи по него (напр. изместване на лоста за управление, разгъване на ходовия механизъм за транспортиране);
- ако уредът е срещнал страничен предмет или започне да вибрира необичайно силно. В тези случаи проверете машината и по-специално работните инструменти (работните органи и закрепването им, задвижващия вал) за повреди и извършете необходимите ремонти, преди отново да стартирате уреда и да работите с него.



Опасност от нараняване!

Силното вибриране по принцип е индикация за повреда. Мотофрезата не бива да се пуска в експлоатация с повреден или изкривен задвижващ вал или с повредени работни инструменти. Ако нямате необходимите познания, се обърнете към специалист (STIHL препоръчва своите специализирани търговци), който да извърши необходимите ремонти.

4.7 Поддръжка и ремонти

Преди започване на дейности по почистване, настройка, ремонт и поддръжка:

- поставете уреда върху твърда, равна почва,

- изключете двигателя с вътрешно горене и го оставете да изстине,
- изтеглете накрайника на запалителната свещ.



Внимание – опасност от нараняване!

Дръжте далеч накрайника на запалителната свещ от запалителната свещ, случайна запалителна искра може да доведе до пожар или електрически удар.

Случаен контакт на запалителната свещ с накрайника на запалителната свещ може да доведе до неволно запалване на двигателя с вътрешно горене.

За извършване на дейности по поддръжка и почистване винаги обръщайте уреда да легне назад. Ако бъде обърнат странично или напред, могат да възникнат повреди по двигателя с вътрешно горене и други части на уреда, което да доведе до скъпи ремонти.

Оставете уреда да изстине, особено преди да започнете дейности по поддръжката на предавателната кутия, двигателя с вътрешно горене, коляното на изпускателната тръба и шумозаглушителя. Те могат да достигнат температури над 80° C.

Опасност от изгаряне!

Директният контакт с моторното масло може да е опасен. Освен това моторното масло не бива да се разлива.

STIHL препоръчват пълненето или смяната на моторно масло да се извършва от техен специализиран търговец.

Проверявайте редовно целия уред особено преди да го приберете за съхранение (напр. през зимата) за износване или повреди. От съображения за сигурност подменяйте веднага износените или повредени части, за да бъде уредът винаги в безопасно работно състояние.

Почистване:

След употреба целият уред трябва старателно да се почисти. (⇒ 12.2)

Отстранявайте заседналите остатъци с помощта на дървена пръчка. Почиствайте долната страна на уреда с четка и вода.

Не използвайте агресивни почистващи препарати. Те могат да повредят пластмасовите и металните части, което да влоши безопасната работа на вашия уред на STIHL.

Почиствайте долната страна на уреда (всички части под предпазния кожух) с помощта на уред за почистване под високо налягане или пароструйка. Спазвайте минимално разстояние от 1 м и никога не насочвайте водна струя директно към лагерите и уплътненията и особено към уплътнението между корпуса на предавателната кутия и предпазния кожух.

За да се избегне опасност от пожар, поддържайте зоната на охлаждащите отвори, охлаждащите ребра и ауспуха чиста, напр. от трева, слама, мъх, листа или изтекла грес.

Дейности по поддръжката:

Разрешено е извършване само на описаните в тази инструкция за експлоатация дейности по поддръжката – всички останали работи трябва да се изпълняват от специализиран търговец.

В случай че се нуждаете от информация или помощни средства, **винаги** се обръщайте към специализиран търговец. STIHL препоръчва дейностите по поддръжка и ремонт да се извършват само от специализиран търговец на STIHL.

Специализираните търговци на STIHL редовно преминават обучение и им се предоставя техническа информация.

Използвайте само разрешени от STIHL инструменти, принадлежности и уреди за допълнително прикачване или технически еквивалентни части, в противен случай може да възникне опасност от злополука, която да доведе до физическо нараняване на хора или повреда на уреда. Ако имате въпроси, се обърнете към специализиран търговец.

Оригиналните инструменти, принадлежности и резервни части на STIHL по своите качества са оптимално съгласувани с уреда и изискванията на потребителя. Оригиналните резервни части на STIHL се познават по каталожния номер на STIHL, по надписа STIHL и евентуално по знака на резервната част на STIHL. Върху малките части може да има само знак.

От съображения за сигурност редовно проверявайте компонентите на горивопроводната система (тръбопровода за гориво, крана за гориво, резервоара за гориво, капачката на резервоара, връзките и пр.) за повреди и течове и при нужда ги дайте да бъдат подменени от специалист (STIHL препоръчват своите специализирани търговци).

Винаги поддържайте предупредителните и указателните стикери чисти и четливи. Повредени или изгубени стикери трябва да се заменят с нови оригинални стикери от вашия специализиран търговец на STIHL. Ако даден детайл се замени с нов, погрижете се новият детайл да получи същия стикер.

Винавайте всички гайки, палци и болтове да са добре затегнати, така че уредът да се намира в безопасно работно състояние.

Никога не променяйте основната настройка на двигателя с вътрешно горене и не го форсирайте.

В случай че за извършване на дейности по поддръжката са били отстранени компоненти или защитни приспособления, те трябва да се поставят отново след това съгласно указанията.

При смяна на работните инструменти (работни органи) обърнете внимание на типа и комбинацията на работните органи – разрешено е използването само на одобрени от STIHL варианти.

4.8 Съхранение при продължително неизползване на уреда

Оставете двигателя с вътрешно горене да изстине, преди да оставите уреда в затворено помещение.

Уредът с изпразнен резервоар и резервното гориво да се съхраняват в заключващо се и добре проветриво помещение.

Уверете се, че уредът е защитен срещу неразрешена употреба (напр. от деца).

Никога не съхранявайте на закрито уреда с бензин в резервоара. Образоващите се бензинови пари могат да влязат в досег с открити пламъци или искри и да се възпламенят.

Ако се налага да бъде изпразнен резервоарът за гориво (напр. поради временно прекъсване на работата през зимата), това трябва да се извършва само на открито (напр. като оставите двигателя с вътрешно горене да работи, докато свърши горивото).

Почистете уреда основно, преди да го приберете за съхранение (напр. през зимата).

Съхранявайте уреда само с изваден контактен накрайник на запалителната свещ.

Съхранявайте уреда в състояние за безопасна експлоатация.

Оставете уреда да изстине напълно, преди да го покриете.

4.9 Изхвърляне

Отпадни продукти, като отработено масло или гориво, използвани смазочни материали, филтри, акумулаторни батерии и други подобни износващи се части, могат да окажат вредно въздействие върху хората, животните и околната среда и затова трябва да се изхвърлят според изискванията.

Обърнете се към вашия център за рециклиране или към вашия специализиран търговец, за да научите как да изхвърляте правилно отпадните продукти. STIHL препоръчва своите специализирани търговци.

Уверете се, че излезлият от употреба уред ще бъде предаден за изхвърляне в съответствие с приложимите изисквания. Обърнете внимание на информацията в глава „Опазване на околната среда“. (⇒ 14.)

5. Описание на символите



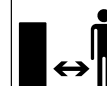
Внимание! Опасност от нараняване!



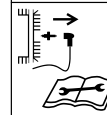
Преди пускане на уреда в действие прочетете и спазвайте инструкцията за експлоатация и указанията за безопасност.



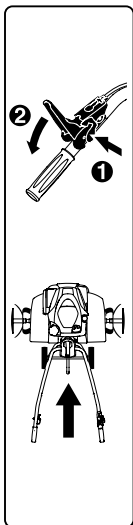
Въртящи се инструменти: Дръжте ръцете и краката си далеч от въртящите се инструменти. Използвайте уреда само със защитни капаци.



Спазвайте безопасна дистанция.

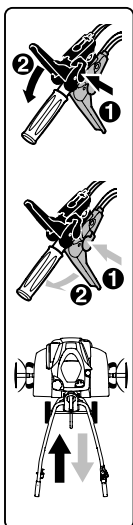


Преди дейности по поддръжка и почистване на уреда изваждайте контактния накрайник на запалителната свещ.



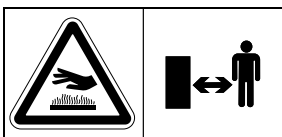
МН 445:

От съображения за сигурност преди задействане на лоста за задвижване на ходовата част първо трябва да се натисне лостът за освобождаване. По този начин се предотвратява неволно задействане на лоста за задвижване на ходовата част.



МН 445 R, МН 560, МН 585, МН 685:

От съображения за сигурност преди задействане на лоста за задвижване на ходовата част първо трябва да се натисне съответният лост за освобождаване. По този начин се предотвратява неволно задействане на лостовете за задвижване на ходовата част. Черният лост за задвижване на ходовата част е за предна скорост, а червеният – за задна скорост.



Опасност от изгаряне!

Не докосвайте горещите повърхности. Корпусът на предавателната кутия се нагорещява.

6. Окомплектовка



Поз.	Наименование	Бр.
A	Основен уред	1
B	Лост за управление	1
C	Затегателен лост	1
D	Ходов механизъм за транспортиране	1
E	Спирачен шплинт	1
F	Предпазен спойлер отляво	1
G	Предпазен спойлер отясно	1
H	МН 445, МН 445 R: Работен орган	4
I	МН 560, МН 585, МН 685: Двоен работен орган	2
J	МН 585, МН 685: Единичен работен орган	2
K	Защитен пръстен	2
L	Диск, предпазващ растенията	2
M	Лост за задвижване на ходовата част (напред), черен	1
N	МН 445 R, МН 560, МН 585, МН 685: Лост за задвижване на ходовата част (назад), червен	1
O	МН 445: Контрагайка М6	1

Поз.	Наименование	Бр.	EN
P	МН 445: Капаче	1	EN
Q	Контрагайка М6	1	NO
R	Болт с плоска глава М6	1	NO
S	МН 445, МН 445 R, МН 585, МН 685: Сгъваем шплинт 10x40	6	SV
	Сгъваем шплинт 10x40	4	FI
T	Болт с плоска глава М8	2	FI
U	Шестоъгълна гайка М8	2	DA
V	Кабелна превръзка	2	DA
-	Инструкция за експлоатация	1	SL
-	Инструкция за експлоатация	1	SK
-	Двигател с вътрешно горене	1	SK
-	МН 560, МН 585, МН 685: Ключ за запалителната свещ	1	TR
			HU
			SR
			SR
			HR
			BG
			UK
			ET
			MK

7. Подготовка на уреда за пускане в експлоатация

7.1 Указания за монтаж



Опасност от нараняване!

Спазвайте указанията за безопасност в глава „За вашата безопасност“. (⇒ 4.) При всякакви дейности по работните органи изваждайте контактния крайник на запалителната свещ и носете плътни предпазни ръкавици.

Спазвайте въртящите моменти!

Винаги следвайте описанията за прекарване и закачане на стартовите въжета и жилото за газта.

Неправилно монтираните жила и въжета (напр. неправилно поставяне или закачане в грешен лост за задвижване) може да причинят неизправности.

- Извършвайте всички описани дейности върху чиста, хоризонтална, равна и твърда основа.
- Спазвайте монтажните позиции и внимавайте уредът да е поставен стабилно и сигурно.

- Спазвайте стриктно инструкциите за монтаж на жилата и въжетата, и поспециално на онези, които се фиксират с **кабелни превръзки** към лоста за управление, за да предотвратите щети по уреда (напр. при сгъване на лоста за управление) или възможни неизправности.

Лост за задвижване на ходовата част, стартови въжета

МН 445:

- Черен лост за задвижване на ходовата част от горната страна на лоста за управление.

- Стартово въже (напред).

МН 445 R, МН 560, МН 585, МН 685:

- Черен лост за задвижване на ходовата част от горната страна на лоста за управление.

- Червен лост за задвижване на ходовата част от долната страна на лоста за управление.

- Стартово въже (напред). Въжето е оборудвано с **черно капаче** и се закача на черния лост за задвижване на ходовата част.

- Стартово въже (назад). Въжето е оборудвано с **червено капаче** и се закача на червения лост за задвижване на ходовата част.

7.2 Монтиране на ходовия механизъм



- Монтажна позиция:
Обърнете напред основния уред (А), както е показано на фигурата, и за стабилност поставете по едно дървено трупче (1) (височина 50 - 60 mm, широчина/дължина ок. 100 mm) под всеки от двата задвижващи вала.
- **1** Натиснете нагоре застопоряващото стреме (2) и го задръжте.
- **2** Вкарайте ходовия механизъм (D) в прореза (3) на болта на лоста за освобождаване (4).
- Натиснете ходовия механизъм (D) докрай нагоре и го задръжте.
- **3** Натиснете надолу застопоряващото стреме (2). Поставете отдолу болтовете (Т) от двете страни.
- **4** Закрепете застопоряващото стреме (2) с двете гайки (U).

7.3 Монтиране на спирачния шплинт



- Монтажна позиция:
виж „Монтиране на ходовия механизъм“ (⇒ 7.2)
- Натиснете деблокиращия болт (1) и го задръжте.
- Вкарайте спирачния шплинт (Е) отдолу в адаптера (2) и плъзнете докрай нагоре.
- Отпуснете деблокиращия болт (1) и издърпайте спирачния шплинт (Е) надолу, за да се фиксира.

- Проверете дали положението на спирачния шплинт (E) е стабилно.

7.4 Монтиране на лоста за управление



- **1** Монтажна позиция: вж. „Монтиране на ходовия механизъм“ (⇒ 7.2)
- Свалете гумената лента (1).
- **2** Повдигнете конзолата (2) и я задръжте.
- **3** Вкарайте докрай лоста за управление (B) централно между конзолата (2) и долната част на ръкохватката (3) и го задръжте. Шенкелите на пружината (4) трябва да преминават, както е показано, по протежение на фиксатора (5). Проверете изобразената позиция на пружината (4) в регулиращия елемент (6), при необходимост закачете пружината.
- **4** Затегнете болта (7).
- **5** Развийте гайката (8) на затегателния лост (C) и я извадете заедно с пружината (9).
- Пъхнете затегателния лост (C) с вградения болт отгоре през конзолата (2) и долната част на ръкохватката (3). Поставете пружината (9) върху затегателния лост (C). Завъртете гайката (8) на един до два оборота.



Указание!

Монтирайте затегателния лост (C) така, че той да трябва да се натисне напред към двигателя с вътрешно горене, за да се застопори.

- **6** Изберете централната позиция на горната част на ръкохватката (3). (⇒ 11.3)
- Натиснете с ръка затегателния лост (C) напред.
- Завийте гайката (8) с 5 Nm (не докрай).
- Проверка на затягането: Монтажът на затегателния лост (C) е извършен правилно, когато той може да бъде задействан с ръка и при това лостът за управление е здраво фиксиран към основния уред.
- Регулиране на силата на затягане: Ако лостът за управление не е достатъчно фиксиран или затегателният лост не може да се задейства с ръка, затегателният лост трябва да се разхлаби и силата на затягане да се регулира допълнително чрез завиване или отвиване на гайката (8). След това отново натиснете затегателния лост напред.



Опасност от нараняване!

Уредът може да бъде бутан или дърпан само с неподвижно фиксиран към основния уред лост за управление (във фиксирано положение лостът за управление не трябва да бъде хлабав).

7.5 Вдигане на лоста за управление



- Издърпайте затегателния лост (1) нагоре. Вдигнете горната част на ръкохватката по посока на стрелката (2).

- Натиснете докрай напред затегателния лост (1).
- Регулирайте височината на лоста за управление. (⇒ 11.2)

7.6 Монтиране на предпазните спойлери



- Проверете предварително монтираните болтове (1) в предпазните спойлери (F, G) – не ги развивайте напълно.
- Поставете моторната фреза в позиция за почистване. (⇒ 12.2)
- Вкарайте предпазния спойлер отляво (F) с трите предварително монтирани болта (1) в трите отвора (2) на покривната ламарина.
- Изтеглете напред предпазния спойлер (F) и го задръжте.
- Завийте болтовете (1) и ги затегнете с 10 - 12 Nm.
- Проверете за сигурното закрепване на предпазния спойлер (F) и след това монтирайте по същия начин десния предпазен спойлер (G).

7.7 Монтиране на работен орган МН 445, МН 445 R



- Поставете моторната фреза в позиция за почистване. (⇒ 12.2)



Спазвайте стриктно инструкцията за монтаж. Спазвайте описаната последователност на операциите и монтирайте пълния комплект защитни пръстени, работни органи и сгъваеми шплиндове, както е описано. При монтажа на сгъваемите шплиндове спазвайте стриктно показаната на фигурата посока на поставяне и положението на предпазната скоба. При неправилен или усукан монтаж сгъваемият шплинт може да се извади сам и да се изгуби.

За постигане на добър резултат от работата режещите ръбове на работните органи трябва да сочат напред (не към лоста за управление) – следвайте указателните стрелки.

Описание на работните органи:

- Работен орган (1):
еднакъв външен диаметър на държача на вала (2).
- Работен орган (3):
различен външен диаметър на държача на вала (4).

1

- Пъхнете докрай защитния пръстен (К) към задвижващия вал (5). Вдлъбнатините на защитния пръстен трябва да застанат плътно в трите фиксиращи зъбчета на корпуса на предавателната кутия (6).

- Поставете работния орган (1) така, че **по-късият** държач на вала (2) да сочи към корпуса на предавателната кутия, а режещите ръбове (7) да са насочени напред. Стрелката (8) върху работния орган и стрелката (9) върху корпуса на предавателната кутия (6) трябва да сочат в една и съща посока.

- Поставете работния орган (1) към задвижващия вал (5).
- Завъртете работния орган (1) така, че отворите на държача на вала и на задвижващия вал да съвпадат.

2

- Пъхнете сгъваемия шплинт (S) през отворите и затворете предпазната скоба.

3

- Поставете работния орган (3) така, че **по-малкият** външен диаметър на държача на вала (4) да сочи към вече монтирания работен орган (1), а режещите ръбове (7) да са насочени напред. Стрелката (8) върху работния орган и стрелката (9) върху корпуса на предавателната кутия (6) трябва да сочат в една и съща посока.

- Поставете работния орган (3) във вече монтирания работен орган (1).
- Завъртете работния орган (3) така, че отворите на двата работни органа да съвпадат.

4

- Пъхнете сгъваемия шплинт (S) през отворите и затворете предпазната скоба.
- При нужда монтирайте диска, предпазващ растенията. (⇒ 7.9)

- Повторете операцията за монтиране на работните органи и от другата страна.

7.8 Монтиране на работните органи МН 445, МН 585, МН 685



- Поставете моторната фреза в позиция за почистване. (⇒ 12.2)



Спазвайте стриктно инструкцията за монтаж. Спазвайте описаната последователност на операциите и монтирайте пълния комплект защитни пръстени, работни органи и сгъваеми шплиндове, както е описано. При монтажа на сгъваемите шплиндове спазвайте стриктно показаната на фигурата посока на поставяне и положението на предпазната скоба. При неправилен или усукан монтаж сгъваемият шплинт може да се извади сам и да се изгуби.

За постигане на добър резултат от работата режещите ръбове на работните органи трябва да сочат напред (не към лоста за управление) – следвайте указателните стрелки.

Описание на работните органи:

- Работен орган (I):
двуредов работен орган.
- Работен орган (J):
едноредов работен орган.

1 МН 560, МН 585, МН 685

- Пъхнете докрай защитния пръстен (К) към задвижващия вал (1). Вдлъбнатините на защитния пръстен трябва да застанат плътно в трите фиксиращи зъбчета на корпуса на предавателната кутия (2).
- Поставете работния орган (I) така, че **по-късият** държач на вала (3) да сочи към корпуса на предавателната кутия, а режещите ръбове (4) да са насочени напред. Стрелката (5) върху работния орган и стрелката (6) върху корпуса на предавателната кутия (2) трябва да сочат в една и съща посока.
- Поставете работния орган (I) към задвижващия вал (1).
- Завъртете работния орган (I) така, че отворите на държача на вала и на задвижващия вал да съвпадат.

2 МН 560, МН 585, МН 685

- Пъхнете съгъваемия шплинт (S) през отворите и затворете предпазната скоба.

3 МН 585, МН 685

- Поставете работния орган (J) така, че **по-малкият** външен диаметър на държача на вала (7) да сочи към вече монтирания работен орган (I), а режещите ръбове (4) да са насочени напред. Стрелката (5) върху работния орган и стрелката (6) върху корпуса на предавателната кутия (2) трябва да сочат в една и съща посока.
- Поставете работния орган (J) във вече монтирания работен орган (I).

- Завъртете работния орган (J) така, че отворите на двата работни органа да съвпадат.

4 МН 585, МН 685


- Пъхнете съгъваемия шплинт (S) през отворите и затворете предпазната скоба.

МН 560, МН 585, МН 685

- При нужда монтирайте диска, предпазващ растенията. (⇒ 7.9)
- Повторете операцията за монтиране на работните органи и от другата страна.

7.9 Монтиране на диска за предпазване на растенията



 При монтажа на съгъваемите шплинтове спазвайте стриктно показаната на фигурата посока на поставяне и положението на предпазната скоба. При неправилен или усукан монтаж съгъваемият шплинт може да се извади сам и да се изгуби.

- Поставете диска за предпазване на растенията (L) към външните работни органи. Завъртете диска за предпазване на растенията така, че отворите на шайбата и на работния орган да съвпадат.
- Пъхнете съгъваемия шплинт (S) през отворите и затворете предпазната скоба.
- Повторете операцията и от другата страна.

7.10 Монтиране на лоста за задвижване на ходовата част



- Спазвайте указанията за монтаж. (⇒ 7.1)
- Пъхнете черния лост за задвижване на ходовата част (M) с вградения болт (1) отгоре през отвора на горната част на ръкохватката.
- МН 445:
Завийте контрагайката (O) и я затегнете с 7 - 9 Nm. Поставете капачето (P).
- МН 445 R, МН 560, МН 585, МН 685:
Позиционирайте червения лост за задвижване на ходовата част (N) така, че болтът на черния лост да може да се завие във вградената в червения лост гайка.
Натиснете червения лост за задвижване на ходовата част (N) нагоре към лоста за управление. Завийте болта (1) и го затегнете с 7 - 9 Nm.

7.11 Прекарване на стартовото въже



- Спазвайте указанията за монтаж. (⇒ 7.1)
- 1** Развийте стартовото въже (напред) (1) и го окачете в държача (2).
- 2** Затегнете гайката (3) с 2 - 4 Nm.
- Прекарайте стартовото въже (напред) (1) нагоре по следния начин:
A Прекарайте стартовото въже (напред) (1) над горната част на

ръкохватката (4).

B Прекарайте стартовото въже (напред) (1) под напречната връзка (5) на горната част на ръкохватката.

- МН 445 R, МН 560, МН 585, МН 685: Прекарайте стартовото въже (назад) (6) от дясната страна на двигателя с вътрешно горене под лоста за смяна на посоката (7). Прекарайте въжето нагоре по лоста за управление, както стартовото въже за движение напред.

7.12 Закачане на стартовото въже



- Спазвайте указанията за монтаж. (⇒ 7.1)

Стартово въже (напред):

- Пъхнете накрайника (1) на стартовото въже с черното капаче (2) през черния лост за задвижване на ходовата част (М).
- Прекарайте накрайника (1) през отвора (3) на лоста (4). За тази цел при нужда използвайте подходящи клещи.
- С помощта на подходящи клещи издърпайте стартовото въже за накрайника (1) и го закачете към лоста (4), както е показано на фигурата.
- Поставете капачето (2) на лоста за задвижване на ходовата част (4) така, че да щракне.
- **Проверка на функционирането:** Натиснете лоста за задвижване на ходовата част. (⇒ 8.2)
Движението на лоста трябва да е плавно.

Стартово въже (назад)

МН 445 R, МН 560, МН 585, МН 685:

- Пъхнете накрайника на стартовото въже с червеното капаче през червения лост за задвижване на ходовата част.
- По-нататък монтажът протича така, както при стартовото въже за движение напред.

7.13 Прекарване и монтиране на жилото за газта



- Спазвайте указанията за монтаж. (⇒ 7.1)
- Размотайте жилото за газта (1) и го прекарайте по следния начин:
Прекарайте жилото за газта над горната част на ръкохватката (2).
Прекарайте жилото за газта под напречната връзка (3) на горната част на ръкохватката.
- Поставете болта (Т) в отвора на кутията на жилото за газта (4). Поставете и задръжте кутията на жилото за газта заедно с поставения болт от вътрешната страна на горната част на ръкохватката. Завийте контрагайката (U) и я затегнете с 7 - 9 Nm.

7.14 Фиксиране на въжетата и жилото към лоста за управление



- Спазвайте указанията за монтаж. (⇒ 7.1)

- МН 445: Фиксирайте стартовото въже (1) с кабелна превръзка (V) от дясната страна на горната част на ръкохватката.
- МН 445 R, МН 560, МН 585, МН 685: Фиксирайте двете стартови въжета (1, 2) с кабелна превръзка (V) от дясната страна на горната част на ръкохватката.
- Фиксирайте жилото за газта (3) с кабелна превръзка (V) от лявата страна на горната част на ръкохватката.
- Проверете за сигурността на захващане на кабелните превръзки. Отрежете излишните краища на кабелните превръзки.

7.15 Гориво и моторно масло



- **Избягвайте повреди по уреда!**
Преди да стартирате уреда за първи път, налейте моторно масло. Използвайте подходящо помощно средство (напр. фуния) за пълнене на моторно масло и зареждане с гориво.

Моторно масло:

Подходящият вид и необходимото количество моторно масло са посочени в инструкцията за експлоатация на двигателя с вътрешно горене. Извършвайте редовно проверка на нивото на маслото (вижте инструкцията за експлоатация на двигателя с вътрешно горене). Избягвайте прекалено ниско и прекалено високо ниво на маслото. Преди пускане на двигателя с



вътрешно горене в експлоатация затегнете правилно капачката на резервоара за масло.

Гориво:

Препоръка:

свежи маркови горива;
безоловен бензин.

Данните за качеството на горивото (октаново число) са посочени в инструкцията за експлоатация на двигателя с вътрешно горене.



8. Командни елементи

8.1 Лост за настройка на газта

С помощта на лоста за настройка на газта (1) може да бъде регулирана честотата на въртене на двигателя с вътрешно горене.



Позиция за стартиране:

- Издърпайте докрай **назад** лоста за настройка на газта (1).
- Двигателят с вътрешно горене може да бъде стартиран. (⇒ 11.6)



Позиция за спиране:

- Бутнете докрай **напред лоста за настройка на газта (1)** (имайте предвид позицията на застопоряване).
- След няколко секунди двигателят с вътрешно горене ще спре.



Регулиране на честотата на въртене:

- Преместете лоста за настройка на газта (1), докато двигателят с вътрешно горене работи.

Честота на въртене на двигателя:

Бързо



Бавно



8.2 Лост за задвижване на ходовата част

Със задействането на някой от лостовете за задвижване на ходовата част (1, 3) при работещ двигател с вътрешно горене се включва или изключва задвижването – задвижващият вал започва или съответно спира да се върти.

С **черния** лост за задвижване на ходовата част (напред) (1) при контакт със земята и при монтирани работни органи моторната фреза започва да се движи **напред**.

С **червения** лост за задвижване на ходовата част (назад) (3) при контакт със земята и при монтирани работни органи моторната фреза започва да се движи **назад**.

От съображения за сигурност лостовете за задвижване на ходовата част са блокирани механично срещу неволно включване. (⇒ 9.1)
Освен това поради наличие на механично устройство за защита при модели МН 445 R, МН 560, МН 585, МН 685 едновременно може да се натиска само по един лост за управление на ходовата част – лостът за движение напред или този за движение назад.



Избягвайте повреди по уреда!
Задействайте лостовете за задвижване на ходовата част плавно и бързо. Не ги оставяйте дълго в полунатиснато положение – избягвайте силното износване на клиновите ремъци.

Задействане на лоста за задвижване на ходовата част (напред):



- **1** Натиснете докрай лоста за освобождаване (2) на лоста за задвижване на ходовата част (напред) (1) и го задръжте.
- **2** Плавно натиснете докрай лоста за задвижване на ходовата част (напред) (1) и го задръжте.
- Пуснете лоста за освобождаване (2). Задвижването е включено и задвижващият вал се върти.
- **3** Изключване на задвижването: Пуснете лоста за задвижване на ходовата част (напред) (1).

Задействане на лоста за задвижване на ходовата част (назад): (МН 445 R, МН 560, МН 585, МН 685):



- **1** Натиснете докрай лоста за освобождаване (4) на лоста за задвижване на ходовата част (назад) (3) и го задръжте.
- **2** Плавно натиснете докрай лоста за задвижване на ходовата част (назад) (3) и го задръжте.
- Пуснете лоста за освобождаване (4). Задвижването е включено и задвижващият вал се върти.
- **3** Изключване на задвижването: Пуснете лоста за задвижване на ходовата част (назад) (3).

9. Защитни приспособления

Уредът е оборудван с множество защитни приспособления, които служат за неговото безопасно управление и за защита срещу неправилното му използване.



Опасност от нараняване!

Защитните приспособления не бива да бъдат сваляни, припокривани, променяни или повреждани. Ако при някое от защитните приспособления се установи подобна неизправност, уредът не бива да се пуска в експлоатация. Обърнете се към вашия специализиран търговец – STIHL препоръчва своите специализирани търговци.

9.1 Блокировка на лоста за задвижване на ходовата част

От съображения за сигурност лостовете за задвижване на ходовата част са блокирани механично, за да се предотврати неволното им задействане.

За да може някой от лостовете за задвижване на ходовата част да се задейства, първо трябва да се натисне съответният лост за освобождаване. (⇒ 8.2)

9.2 Защитни приспособления

Моторната фреза е оборудвана със защитни приспособления, които предотвратяват неволен контакт с работните инструменти и осигуряват защита срещу изхвърлени от нея

предмети.

Такива защитни приспособления са страничните предпазни спойлери, предпазният кожух и правилно монтираният лост за управление.

10. Указания за работа

10.1 Работна зона на оператора



- От съображения за сигурност операторът никога не бива да напуска работната зона (сива площ 1) през цялото време, докато работи с уреда (когато двигателят с вътрешно горене работи).
- Моторната фреза може да се управлява само от един човек. Страничните лица трябва да стоят далеч от опасната зона. (⇒ 4.)

10.2 Работна позиция на уреда



- Моторната фреза може да се пуска в експлоатация само когато е поставена да стои на земята (с двигателя с вътрешно горене отгоре). Управлявайте моторната фреза по възможност хоризонтално през цялото време, докато работите с нея. Избягвайте да я наклоняте силно напред, назад или настрани.

10.3 Комбинации от работни органи



Винаги монтирайте еднакъв брой работни органи към левия и десния задвижващ вал.

Дискът, предпазващ растенията, може да бъде монтиран при всички описани комбинации от работни органи. Той защитава околните растения (напр. при окопаване на тясна леха).

Възможни комбинации МН 445, МН 445 R:

- 2 работни органа:
по един едноредов работен орган към всеки от задвижващите валове
- 4 работни органа:
по два едноредови работни органа към всеки от задвижващите валове

Възможни комбинации МН 560:

- 2 работни органа:
по един двуредов работен орган към всеки от задвижващите валове

Възможни комбинации МН 585, МН 685:

- 2 работни органа:
по един двуредов работен орган към всеки от задвижващите валове
- 4 работни органа:
по един двуредов и един едноредов работен орган към всеки от задвижващите валове

10.4 Идеално положение на тялото при работа



Идеалното положение на тялото по време на работа предпазва от бързо уморяване.

За тази цел настройките на уреда (регулиране на височината на лоста за управление, настройка на спирачния шплинт) трябва да са направени така, че тялото на оператора (гърбът) да бъде изправено през цялото време, докато работи.

Идеално положение на тялото:

- изправен гръб;
- опънати крака;
- подлакътниците леко сгънати нагоре.

11. Пускане на уреда в експлоатация

11.1 Подготвителни дейности



Опасност от нараняване!

Спазвайте указанията за безопасност в глава „За Вашата безопасност“ (⇒ 4.) и се запознайте с контролните елементи на моторната фреза. (⇒ 8.)

- Проверете нивото на моторното масло и заредете гориво. (⇒ 7.15)

11.2 Регулиране на височината на горната част на ръкохватката



Горната част на ръкохватката може да се регулира на височина.

- Разгънете ходовия механизъм за транспортиране. (⇒ 11.4)
- Хванете здраво с едната ръка ръкохватката (2) на горната част на лоста за управление (1) и я задръжте.
- С другата ръка издърпайте назад затегателния лост (3) и го задръжте.
- Поставете горната част на ръкохватката (1) в желаната позиция.
- Натиснете напред затегателния лост (3), като внимавате горната част на ръкохватката да се фиксира добре.
- При нужда сгънете ходовия механизъм за транспортиране. (⇒ 11.4)

11.3 Странично изместване на лоста за управление



Лостът за управление може да бъде фиксиран странично в 3 позиции.

- Разгънете ходовия механизъм за транспортиране. (⇒ 11.4)
- Дръжте здраво с едната ръка ръкохватката на горната част на лоста за управление.
- Издърпайте с ръка затегателния лост (1) нагоре.

- Поставете лоста за управление в желаната позиция. Уверете се, че фиксиращото зъбче (2) се намира над един от трите фиксиращи отвора (3).
- Натиснете с ръка затегателния лост (1) напред и затегнете лоста за управление.
- Проверете дали лостът за управление е здраво фиксиран.
- При нужда сгънете ходовия механизъм за транспортиране. (⇒ 11.4)

11.4 Разгъване и сгъване на ходовия механизъм за транспортиране



С помощта на ходовия механизъм за транспортиране моторната фреза може да се придвижва чрез бутане или теглене.



Опасност от нараняване!

Когато ходовият механизъм се намира в работна позиция (вдигнат нагоре) и се натисне лостът за освобождаване, ходовият механизъм може да падне автоматично в транспортна позиция.

Разгъване на ходовия механизъм за транспортиране – транспортна позиция:

- Леко повдигнете с една ръка ходовия механизъм за транспортиране (1) и го задръжте.
- Натиснете лоста за освобождаване (2).

- Разгънете ходовия механизъм (1) докрай надолу и пуснете лоста за освобождаване (2). Ходовият механизъм се фиксира.

Сгънете ходовия механизъм – работна позиция:

- Дръжте ходовия механизъм с една ръка (1) и с леко повдигане намалявайте натоварването.
- Натиснете лоста за освобождаване (2) и сгънете ходовия механизъм нагоре.
- Пуснете лоста за освобождаване (2) и сгънете ходовия механизъм докрай нагоре. Ходовият механизъм се застопорява и е фиксиран в работна позиция.

11.5 Настройване на спирачния шплинт



Със спирачния шплинт се регулира съпротивлението и съответно скоростта на водене по време на обработката на почвата. За по-добро регулиране спирачният шплинт може да бъде настройван на 3 степени.

Настройване на спирачния шплинт:

- Разгънете ходовия механизъм за транспортиране в транспортна позиция. (⇒ 11.4)
Внимавайте уредът да застане стабилно и сигурно.
- Натиснете и задръжте деблокиращия болт (1).
- Поставете спирачния шплинт (2) в желаното положение.
- Пуснете деблокиращия болт (1) и внимавайте спирачният шплинт да се фиксира.

11.6 Стартиране на двигателя с вътрешно горене



- Поставете лоста за настройка на газта в позиция за стартиране. (⇒ 8.1)
- Хванете здраво с една ръка ръкохватката на стартерното въже (1) и задръжте.
- Издърпайте бавно стартерното въже (1), докато усетите съпротивление. След това бързо, силно и с едно издърпване го опънете до дължината на ръката. Бавно отпуснете стартерното въже (1), за да може отново да се навие.
Повторете процеса, докато двигателят с вътрешно горене не се задвижи.

11.7 Изключване на двигателя с вътрешно горене

- За изключване на двигателя с вътрешно горене поставете лоста за настройка на газта в позиция за спиране. (⇒ 8.1)
След кратко време на движение по инерция двигателят с вътрешно горене спира да работи.

11.8 Включване и изключване на задвижването на ходовата част (напред):

Включване на задвижването на ходовата част (напред):

- Придвигнете моторната фреза до района, където ще я използвате, с изключен двигател с вътрешно горене. (⇒ 13.)
- Стартирайте двигателя с вътрешно горене. (⇒ 11.6)
- Дръжте моторната фреза здраво с две ръце за ръкохватките.
- Задействайте **черния** лост за задвижване на ходовата част (напред) и го задръжте. (⇒ 8.2)
Задвижващият вал с монтираните на него работни инструменти започва да се върти и моторната фреза започва да се движи напред.

Изключване на задвижването на ходовата част (напред):

- Пуснете лоста за задвижване на ходовата част (напред). (⇒ 8.2)
Задвижващият вал с монтираните към него работни инструменти спира да се върти.

11.9 Включване и изключване на задвижването на ходовата част (назад) (МН 445 R, МН 560, МН 585, МН 685)

Моторните фрези МН 445 R, МН 560, МН 585, МН 685 са оборудвани със задна скорост.

Задната скорост при обработката на почвата служи единствено за по-лесно освобождаване на моторната фреза, в случай че тя затыне. Задната скорост не е предназначена за копаене.



Опасност от нараняване!

Преди включване на задвижването на ходовата част (назад) винаги се уверявайте, че има достатъчно разстояние между тялото на оператора и лоста за управление.

Включване на задвижването на ходовата част (назад):

- Придвигнете моторната фреза до района, където ще я използвате, с изключен двигател с вътрешно горене. (⇒ 13.1)
- Стартирайте двигателя с вътрешно горене. (⇒ 11.6)
- Дръжте моторната фреза здраво с две ръце за ръкохватките.
- Задействайте **червения** лост за задвижване на ходовата част (назад) и го задръжте. (⇒ 8.2)
Задвижващият вал с монтираните на него работни инструменти започва да се върти и моторната фреза започва да се движи назад.

Изключване на задвижването на ходовата част (назад):

- Пуснете лоста за задвижване на ходовата част (назад). (⇒ 8.2)
Задвижващият вал с монтираните към него работни инструменти спира да се върти.

11.10 Копаене

При копаене въртящите се работни органи разрохкват почвата и я подготвят за сеитба, обработка и грижа за растенията.



Опасност от нараняване!

Копайте само напред. Внимавайте за препятствията, по които не трябва да се минава (напр. по каменните плочки на пътеките).

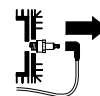
- Придвигнете моторната фреза до района, където ще я използвате, с изключен двигател с вътрешно горене. (⇒ 13.1)
- Сгънете ходовия механизъм за транспортиране. (⇒ 11.4)
- Стартирайте двигателя с вътрешно горене. (⇒ 11.6)
- Хванете моторната фреза здраво с две ръце за ръкохватките и заемете стабилно положение. Спазвайте работната зона на оператора. (⇒ 10.1)
- Натиснете лоста за задвижване на ходовата част (напред) и го задръжте. (⇒ 11.8)
Работните органи започват да се въртят и копаенето може да започне.
- След като свършите работа, изключете задвижването на ходовата част (⇒ 11.8), изключете двигателя (⇒ 11.7) и почистете уреда (⇒ 12.2).

12. Поддръжка



Опасност от нараняване!

Преди извършване на каквито и да било дейности по поддръжка или почистване на уреда внимателно прочетете глава „За Вашата безопасност“ (⇒ 4.), и по-специално раздел „Поддръжка и ремонти“, (⇒ 4.7) и следвайте точно всички указания за безопасност.



Изваждайте контактният накрайник на запалителната свещ преди извършване на дейности по поддръжка и почистване на уреда!

12.1 Демонтиране на работните органи



Ако сгъваемият шплинт до корпуса на предавателната кутия се разхлаби, целият комплект работни органи заедно с диска за предпазване на растенията може да се извади от задвижващия вал. За монтажните дейности на работните органи вижте информацията в глави „Монтиране на работните органи“ (⇒ 7.7), (⇒ 7.8) и „Комбинации от работни органи“ (⇒ 10.3).

- Оставете уреда (двигателя с вътрешно горене, предавателната кутия) да изстине напълно.
- Поставете моторната фреза в позиция за почистване. (⇒ 12.2)

- Демонтиране на дисковете за предпазване на растенията: Отворете осигурителната скоба на съгваемия шплинт (1) и го извадете. Свалете диска за предпазване на растенията (2).
- Демонтиране на работните органи: Отворете осигурителната скоба на съгваемия шплинт (3) и го извадете. Свалете целия комплект работни органи (4).
- Свалете защитните пръстени (5) и ги съхранявайте на сигурно място, за да не ги загубите.

12.2 Почистване на уреда



Интервал на поддръжка: След всяка употреба

- След всяка употреба почиствайте основно целия уред. Внимателното боравене с уреда го защитава и удължава срока му на експлоатация.
- Преди почистване оставете уреда да изстине напълно и извадете контактния крайник на запалителната свещ. При дейности по почистване на предавателната кутия и работните органи носете дрехи с дълги ръкави и плътни ръкавици.

Позиция за почистване:



Избягвайте повреди по уреда!

- Оставяйте моторната фреза в показаната позиция само за кратко време (дейности по поддръжка и почистване). Дръжте уреда в изправено положение при съхранение.
- Разгънете ходовия механизъм за транспортиране. (⇒ 11.4)

- Поставете горната част на ръкохватката в най-горната позиция. (⇒ 11.2)
- Поставете моторната фреза върху равен и твърд терен.
- Наклонете уреда назад, докато лостът за управление опре в земята.

Указания за почистване:

- Отстранявайте замърсяванията и натрупаните остатъци с четка, влажна кърпа или дървена пръчка. Не използвайте агресивни почистващи препарати. STIHL препоръчва употребата на специален почистващ препарат (напр. специален почистващ препарат на STIHL).
- Никога не насочвайте водна струя към лоста за управление, частите на двигателя с вътрешно горене, уплътненията и лагерите. Това би довело до скъп ремонт.
- **Двигател с вътрешно горене:** Отстранете замърсяванията от охлаждащите ребра, работното колело на вентилатора, областта около въздушния филтър, ауспуха и др., за да гарантирате достатъчно охлаждане на двигателя с вътрешно горене.
- **Корпусът на предавателната кутия, ходовият механизъм и работните инструменти** могат да се почистват с помощта на водна струя или пароструйка.



Избягвайте повреди по уреда!

При употреба на уред за почистване под високо налягане спазвайте минимално разстояние от **най-малко 1 м** и никога не насочвайте водна струя директно към лагерите, задвижващия вал и уплътненията, особено към уплътнението между корпуса на предавателната кутия и предпазния кожух.

12.3 Двигател с вътрешно горене

Интервал на поддръжка: Преди всяка употреба

Проверявайте нивото на моторното масло (виж инструкцията за експлоатация на двигателя с вътрешно горене).

Спазвайте указанията за обслужване и поддръжка, които можете да намерите в приложената инструкция за експлоатация на двигателя с вътрешно горене.

12.4 Интервал за поддръжка



Избягвайте повреди по уреда!

Дейности по поддръжката на предавателната кутия да се извършват само от специализиран търговец.

Поддръжка от специализиран търговец:

За частни потребители – ежегодно

Моторната фреза трябва да се обслужва веднъж годишно от специализиран търговец. STIHL препоръчва своите специализирани търговци.

Поддръжка от потребителя:

• Преди всяко пускане в експлоатация

Проверявайте нивото на моторното масло (вижте инструкцията за експлоатация на двигателя с вътрешно горене)

• След всяка употреба

Почиствайте уреда. (⇒ 12.2)

12.5 Съхранение и временно спиране от експлоатация (през зимата)



Съхранявайте моторната фреза в нормално положение (разгънат ходов механизъм за транспортиране). За компактно съхранение сгънете назад лоста за управление, както е показано на фигурата.



Опасност от преобръщане!

Моторната фреза може да се обърне напред, ако работните органи са в неправилна позиция. Поради това винаги контролирайте стабилното положение на моторната фреза. При необходимост леко завъртете работните органи, за да запазите баланса. Алтернативно при съхранението на моторната фреза я подпрете в областта на дръжката за носене.

Съхранявайте уреда в сухо и затворено помещение без наличие на много прах. Уверете се, че той се намира на място, недостъпно за деца.

Евентуалните неизправности по уреда трябва да се отстранят, преди да бъде прибран за съхранение. Уредът трябва винаги да се намира в състояние за безопасна експлоатация. Затегнете

всички гайки, палци и болтове, подновете станалите нечетливи предупредителни надписи по уреда, проверете цялата машина за износване и повреди. Сменете износените и повредените части.

При спиране на уреда от експлоатация за по-продължително време (през зимата) спазвайте следните указания:

- Почистете внимателно всички външни части на уреда.
- Изпразнете резервоара за гориво и карбуратора.
- Смажете с масло, съотв. грес всички подвижни части.
- Отвийте запалителната свещ (виж инструкцията за експлоатация на двигателя с вътрешно горене) и през отвора за запалителната свещ налейте ок. 3 cm³ моторно масло в двигателя с вътрешно горене. Превъртете двигателя с вътрешно горене няколко пъти без запалителна свещ (издърпайте стартерното въже).



Опасност от пожар!

Дръжте контактния накрайник на запалителната свещ далеч от отвора за свещта поради опасност от възпламеняване.

- Отново завийте запалителната свещ (виж инструкцията за експлоатация на двигателя с вътрешно горене).
- Сменете маслото (виж инструкцията за експлоатация на двигателя с вътрешно горене).
- Покрийте двигателя с вътрешно горене и съхранявайте уреда в нормално положение.

13. Транспортиране

13.1 Транспортиране на моторната фреза



Опасност от нараняване!

Спазвайте указанията за безопасност в глава „За Вашата безопасност“ (⇒ 4.), и по-специално раздел „Транспортиране“ (⇒ 4.4). Преди да транспортирате уреда, изключете двигателя с вътрешно горене, извадете контактния накрайник на запалителната свещ и облечете подходящо защитно облекло (предпазни обувки, ръкавици, комбинезон с дълги ръкави и крачоли). **Обърнете внимание на теглото!** (⇒ 18.)

Теглене или бутане на моторната фреза:

- Поставете спирачния шплинт в най-високата позиция. (⇒ 11.5)
- Разгънете ходовия механизъм за транспортиране. (⇒ 11.4)
- Хванете здраво моторната фреза за двете ръкохватки (1) и я наклонете назад, докато уредът застане върху колелата за транспортиране.
- Бавно (с пешеходна скорост) теглете или бутайте моторната фреза. По равна и гладка повърхност уредът трябва да се бута, докато по неравна е по-добре да се тегли.



Опасност от нараняване!

Заради голямото тегло на уреда се изисква особено внимание при преминаване по стъпала, прагове, наклонени рампи и други височини и неравности. Операторът трябва винаги да стои над нивото на уреда, за да не бъде прегазен от него в случай на загуба на контрол – т. е. при прагове и наклонени участъци уредът трябва да се бутане надолу, съответно тегли нагоре. Уредът да се бутане или тегли при максимум 2 – 3 стъпала. При повече стъпала моторната фреза да се пренася с помощта на втори човек.

2 Вдигане или носене на моторната фреза:

- Проверете дали горната част на ръкохватката е здраво фиксирана.
- Вдигайте и носете моторната фреза най-малко по двама души и следете през цялото време да има достатъчно разстояние между тялото и работните органи.

Места за хващане:

Ръкохватки (1) и дръжка за носене (2).

3 Транспортиране на моторната фреза върху товарна платформа:

- Винаги транспортирайте моторната фреза **изправена** и опряна на ходовия механизъм за транспортиране и работните органи. Никога не поставяйте уреда да лежи на страни.

- За стабилност на уреда разгънете ходовия механизъм за транспортиране (⇒ 11.4) и монтирайте работните органи (⇒ 7.7), (⇒ 7.8).
- Обезопасете моторната фреза срещу хлъзгане и я закрепете върху товарната платформа с помощта на въжета или ремъци.
Места на закрепване:
Оста на ходовия механизъм за транспортиране (3) и оста на работните органи (4).

14. Опазване на околната среда



Опаковките, уредът и принадлежностите са произведени от материали, които подлежат на рециклиране, и трябва да се изхвърлят по съответния начин.

Разделното и еко-съобразно изхвърляне на отпадъците подпомага повторната употреба на вторични суровини. Затова след изтичане на обичайния му срок на използване уредът трябва да се предаде на вторични суровини.

14.1 Изхвърляне

Отработеното масло (моторно, трансмисионно) и горивото винаги трябва да се изхвърлят в съответствие с приложимите изисквания.

Преди да бъде изхвърлен, двигателят с вътрешно горене трябва да се приведе в негодно за употреба състояние. За

целта отстранете кабела за запалване, изпразнете резервоара и източете моторното масло.

Опасност от нараняване с работните органи!

Никога не оставяйте градинската мотофреза без надзор, дори ако е излязла от употреба. Уверете се, че уредът и работните органи се съхраняват на място, недостъпно за деца.

15. Минимизиране на износването и предотвратяване на повреди

Важни указания за поддръжка на групата продукти

Бензинови мотофрези (STIHL MH)

За материални щети и физическо нараняване на хора, които са причинени поради неспазване на указанията в ръководството за експлоатация, особено по отношение на безопасността, обслужването и поддръжката, или поради употреба на неразрешени приспособления за допълнително монтиране и резервни части, фирмата STIHL не носи никаква отговорност.

Непременно спазвайте следните указания, за да предотвратите повреди или прекалено износване на вашия уред на STIHL:

1. Износващи се части

Някои части на уреда STIHL, дори и при употреба по предназначение, се износват и в зависимост от вида и продължителността на използване трябва да се подменят своевременно.

Към тях спадат:

- клинов ремък;
- работен орган;
- спирачен шплинт.

2. Спазване на предписанията, посочени в тази инструкция за експлоатация

Използването, поддръжката и съхранението на уреда на STIHL трябва да се извършват грижливо, както е описано в тази инструкция за експлоатация. Потребителят отговаря лично за всички повреди, причинени поради неспазване на указанията за безопасност, обслужване и поддръжка.

Това в най-голяма степен се отнася за:

- употреба на продукта не по предназначение;
- използване на неодобрен от STIHL горива/производствени материали (смазочни материали, бензин и моторно масло, вж. инструкцията за експлоатация на двигателя с вътрешно горене);
- неразрешени от STIHL промени по продукта.
- използване на неразрешени от STIHL части и приспособления за допълнително прикачване или режещи инструменти;
- използването на уреда при спортни или състезателни мероприятия;
- вторични повреди вследствие на използването на продукта с неизправни части.

3. Дейности по поддръжката

Всички изброени в раздел „Поддръжка“ дейности трябва да бъдат извършвани редовно.

Ако тези дейности по поддръжката не могат да бъдат извършвани от самия потребител, той трябва да се обърне към специализиран търговец.

STIHL препоръчва дейностите по поддръжка и ремонт да се извършват само при специализиран търговец на STIHL.

Специализираните търговци на STIHL редовно преминават обучение и им се предоставя техническа информация.

Ако тези дейности по поддръжката не бъдат извършени, могат да възникнат повреди, за които е отговорен потребителят.

Към тях спадат най-вече:

- корозионни и други последващи повреди вследствие на неправилно съхранение;
- повреди на уреда поради употреба на резервни части с по-ниско качество;
- повреди в резултат на ненавременна или недостатъчна сервизна поддръжка, съответно повреди вследствие на дейности по поддръжка и ремонт, които не са извършени в сервизите на специализираните търговци.

16. Обичайни резервни части

Сгъваем шплинт (работни органи):
9396 021 3785

MH 445, MH 445 R

Комплект за окопаване, вътрешен, отляво:

6241 710 0200

Комплект за окопаване, вътрешен, отдясно:

6241 710 0205

Комплект за окопаване, външен, отляво:

6241 710 0210

Комплект за окопаване, външен, отдясно:

6241 710 0215

MH 560, MH 585, MH 685

Комплект за окопаване, вътрешен, отляво:

6241 710 0220

Комплект за окопаване, вътрешен, отдясно:

6241 710 0225

MH 585, MH 685

Комплект за окопаване, външен, отляво:

6242 710 0210

Комплект за окопаване, външен, отдясно:

6242 710 0215

17. ЕС Декларация за съответствие

17.1 Мотофреза STIHL MH 445.0, MH 445.0 R, MH 560.0, MH 585.0, MH 685.0

STIHL Tirol GmbH
Hans Peter Stihl-Straße 5
6336 Langkampfen
Австрия

декларира, поемайки пълна отговорност, че

- Модел: Мотофреза
- Фабрична марка: STIHL
- Тип: МН 445.0, МН 445.0 R, МН 560.0, МН 585.0, МН 685.0
- Сериен номер: 6241

отговаря на съответните разпоредби на Директивите 2000/14/ЕС, 2006/42/ЕС, 2014/30/EU и 2011/65/EU и е разработена и произведена в съответствие с актуалните към датата на производство версии на следните стандарти: EN 709 и EN 14982 (доколкото са приложими).

Име и адрес на нотифицирания орган:
TÜV Rheinland LGA Products GmbH
Tillystraße 2
D-90431 Nürnberg

За установяване на измереното и гарантираното ниво на шума беше приложена Директива 2000/14/ЕС, приложение VIII.

МН 445.0, МН 445.0 R

- Измерено ниво на шума: 92 dB(A)
- Гарантирано ниво на шума: 93 dB(A)

МН 560.0, МН 585.0

- Измерено ниво на шума: 91,3 dB(A)
- Гарантирано ниво на шума: 93 dB(A)

МН 685.0

- Измерено ниво на шума: 92,4 dB(A)
- Гарантирано ниво на шума: 93 dB(A)

Техническата документация се съхранява при разрешителното на продукта на STIHL Tirol GmbH.

Годината на производство и машинният номер са посочени върху мотофрезата.

Лангкампфен, 02.11.2020

STIHL Tirol GmbH

По зам.



Matthias Fleischer, завеждащ отдел „Научноизследователска дейност и разработка на нови продукти“

По зам.



Sven Zimmermann, завеждащ отдел „Качество“

18. Технически данни

МН 445.0 / МН 445.0 R / МН 560.0 / МН 585.0 / МН 685.0

Сериен номер	6241
Двигател с вътрешно горене, вид	4-тактов вътрешно горене
Стартово устройство	Стартерно въже

МН 445.0 / МН 445.0 R / МН 560.0 / МН 585.0 / МН 685.0

Съгласно Директива 2000/14/ЕС:

Гарантирано ниво на шума L_{WA} 93 dB(A)

МН 445.0 / МН 445.0 R

Тип двигател B&S Series 550 EX OHV RS

Работен обем 140 кв. см

Номинална мощност при номинална честота на въртене 2,2 - 3100 kW - об./мин

Резервоар за гориво 0,8 л

Инструмент 4 елемента за окопаване, 2 диска, предпазващи растенията

Диаметър на комплекта за окопаване 30 см

Работна честота на въртене на комплекта за окопаване при изпитвателна честота на въртене

Изпитвателна честота на въртене 3100 об./мин

Съгласно Директива 2006/42/ЕС:

Ниво на шума на работното място L_{pA} 80 dB(A)

Коефициент на неопределеност K_{pA} 2 dB(A)

Зададена характеристика на вибрациите съгласно EN 12096:

MH 445.0 / MH 445.0 R

Измерена стойност	
a_{hw}	5,50 м/сек ²
Коефициент на неопределеност K_h	2,20 м/сек ²
w	
Измерване съгласно EN 20643	
Задвижване MH 445.0	1 предна скорост
Задвижване MH 445.0 R	1 предна скорост 1 задна скорост
Тегло	36 кг/37 кг

MH 560.0/ MH 585.0

Тип двигател	Kohler HD675
Работен обем	149 кв. см
Номинална мощност при номинална честота на въртене	2,3 - 3000 kW - об./мин
Резервоар за гориво	1,4 л
Инструмент MH 560.0	2 елемента за окопаване, 2 диска, предпазващи растенията
Инструмент MH 585.0	4 елемента за окопаване, 2 диска, предпазващи растенията
Диаметър на комплекта за окопаване	32 см

MH 560.0/ MH 585.0

Работна честота на въртене на комплекта за окопаване при изпитвателна честота на въртене	120 об./мин
Изпитвателна честота на въртене	3000 об./мин
Съгласно Директива 2006/42/ЕС:	
Ниво на шума на работното място L_{pA}	79 дБ(А)
Коефициент на неопределеност K_{pA}	2 дБ(А)
Зададена характеристика на вибрациите съгласно EN 12096:	
Измерена стойност a_{hw}	5,00 м/сек ²
Коефициент на неопределеност K_h	2,50 м/сек ²
w	
Измерване съгласно EN 20643	
Задвижване	1 предна скорост 1 задна скорост
Тегло	41 кг/44 кг

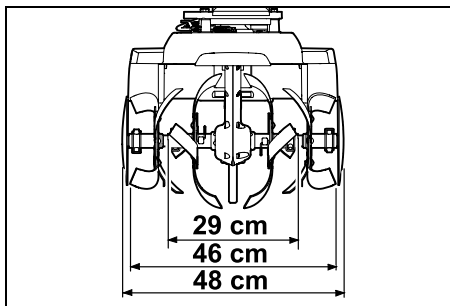
MH 685.0

Тип двигател	Kohler HD775
Работен обем	173 кв. см
Номинална мощност при номинална честота на въртене	2,9 - 3200 kW - об./мин
Резервоар за гориво	1,4 л

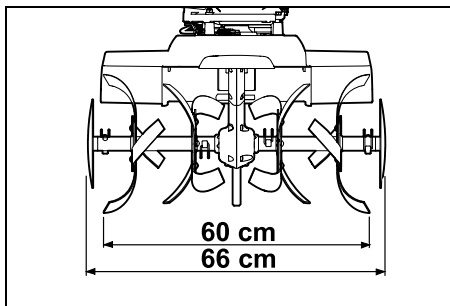
MH 685.0

Инструмент	4 елемента за окопаване, 2 диска, предпазващи растенията
Диаметър на комплекта за окопаване	32 см
Работна честота на въртене на комплекта за окопаване при изпитвателна честота на въртене	128 об./мин
Изпитвателна честота на въртене	3200 об./мин
Съгласно Директива 2006/42/ЕС:	
Ниво на шума на работното място L_{pA}	80 дБ(А)
Коефициент на неопределеност K_{pA}	2 дБ(А)
Зададена характеристика на вибрациите съгласно EN 12096:	
Измерена стойност a_{hw}	6,00 м/сек ²
Коефициент на неопределеност K_h	2,40 м/сек ²
w	
Измерване съгласно EN 20643	
Задвижване	1 предна скорост 1 задна скорост
Тегло	46 кг

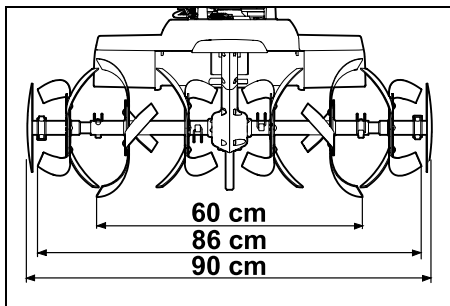
MH 445.0, MH 445.0 R:



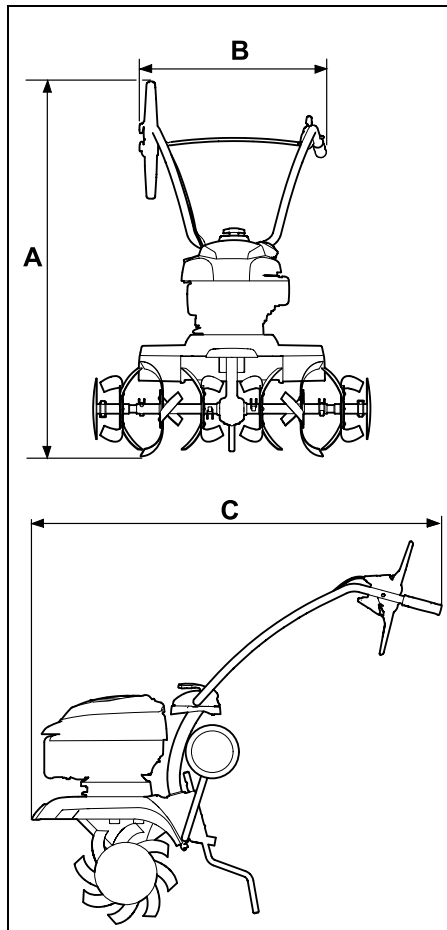
MH 560.0:



MH 585.0, MH 685.0:



MH 445.0, MH 445.0 R, MH 560.0,
MH 585.0, MH 685.0:



MH 445.0, MH 445.0 R:

A = 118 cm
B = 57 cm
C = 122 cm

MH 560.0, MH 585.0, MH 685.0:

A = 119 cm
B = 57 cm
C = 122 cm

18.1 REACH

REACH е краткото наименование на Регламент на ЕО относно регистрацията, оценката и разрешаването на химични вещества.

За информация относно изпълнението на изискванията съгласно Регламента REACH (ЕО) 1907/2006 вж. www.stihl.com/reach.

19. Откриване на повреди

✘ евентуално се обърнете към специализиран търговец – STIHL препоръчва своя специализиран търговец.

📖 Вижте инструкцията за експлоатация на двигателя с вътрешно горене.

Неизправност:

Двигателят с вътрешно горене не стартира

Възможна причина:

- Лостът за настройка на газта е в позиция за спиране
- В резервоара няма гориво; тръбопроводът за гориво е запушен
- Горивото в резервоара е замърсено, старо или с лошо качество
- Контактният накрайник на запалителната свещ е изваден от нея; кабелът за запалване не е закрепен добре към накрайника
- Запалителната свещ е опушена или повредена; неправилно разстояние между електродите
- Въздушният филтър е замърсен

- Двигателят с вътрешно горене се е „задавил“ поради многократни опити да бъде стартиран

Отстраняване:

- Поставете лоста за настройка на газта в позиция за стартиране (⇒ 8.1)
- Заредете с гориво (⇒ 7.15); почистете тръбопроводите за гориво (✘)
- Винаги използвайте свежо марково гориво (безоловен бензин) (⇒ 7.15); почистете карбуратора (✘)
- Поставете контактния крайник на запалителната свещ (📖); проверете връзката между кабела за запалване и щепсела (✘)
- Почистете/сменете запалителната свещ (📖), (✘); регулирайте разстоянието между електродите (✘)
- Почистете/сменете въздушния филтър (✘)
- Отвийте запалителната свещ и я подсушете, бутнете лоста за газта в позиция за спиране и издърпайте многократно стартовото въже при отвита запалителна свещ (📖)

Неизправност:

Затруднено стартиране или отслабване мощността на двигателя с вътрешно горене

Възможна причина:

- Вода в резервоара за гориво и в карбуратора; запушен карбуратор
- Резервоарът за гориво е замърсен
- Въздушният филтър е замърсен
- Запалителната свещ е опушена

Отстраняване:

- Изпразнете резервоара за гориво, почистете тръбопровода за гориво и карбуратора (✘)
- Почистете резервоара за гориво (✘)

- Почистете/сменете въздушния филтър (📖), (✘)
- Почистете/сменете запалителната свещ (📖), (✘)

Неизправност:

Двигателят с вътрешно горене загрява много

Възможна причина:

- Охлаждащите ребра са замърсени
- Много ниско ниво на маслото в двигателя с вътрешно горене
- Повърхността на двигателя с вътрешно горене е покрита с пръст

Отстраняване:

- Почистете охлаждащите ребра (⇒ 12.2)
- Долейте моторно масло (⇒ 7.15)
- Отстранете пръстта от двигателя с вътрешно горене

Неизправност:

Двигателят с вътрешно горене работи неравномерно

Възможна причина:

- Въздушният филтър е замърсен

Отстраняване:

- Почистете/сменете въздушния филтър (📖), (✘)

Неизправност:

Силен пушек

Възможна причина:

- Твърде високо ниво на маслото
- Въздушният филтър е замърсен

Отстраняване:

- Коригирайте количеството на налятото масло (📖)
- Почистете/сменете въздушния филтър (📖), (✘)

Неизправност:

Силни вибрации по време на работа

Възможна причина:

- Хлабаво закрепване на двигателя

Отстраняване:

- Затегнете болтовете за закрепване на двигателя (✘)

Неизправност:

Намалена производителност

Възможна причина:

- Неправилен монтаж на работните органи
- Работните органи са износени
- Спирачният шплинт не е настроен правилно

Отстраняване:

- Монтирайте правилно работните органи (⇒ 7.7), (⇒ 7.8)
- Сменете работните органи (✘)
- Настройте спирачния шплинт (⇒ 11.5)

Неизправност:

Няма производителност

Възможна причина:

- Няма съгваем шплинт на задвижващия вал

Отстраняване:

- Проверете закрепването на работните органи към задвижващия вал (⇒ 7.7), (⇒ 7.8)

Неизправност:

Силен шум от предавателната кутия

Възможна причина:

- Неподходящо ниво на маслото в предавателната кутия

Отстраняване:

- Проверете нивото на маслото в предавателната кутия (✖)

Неизправност:

Задвижващият вал не се върти при задействан лост за задвижване на ходовата част

Възможна причина:

- Стартовото въже е неизправно
- Предавателният ремък е износен

Отстраняване:

- Проверете съотв. сменете стартовото въже (✖)
- Сменете ремъка (✖)

20. Сервизен план

20.1 Потвърждение за предаване

Модел:	_____
Сериен номер:	□ □ □ □ □ □ □ □ □ □
дата:	□ □ □ □ □ □ □ □ □ □
	
Следващ сервиз	
дата:	□ □ □ □ □ □ □ □ □ □

20.2 Потвърждение за извършена сервизна поддръжка



Дайте тази инструкция за експлоатация на вашия специализиран търговец на STIHL при извършване на дейности по поддръжката. Той ще потвърди изпълнението на сервизните дейности в полетата на формуляра.



Сервизната поддръжка е извършена на



Дата на следваща сервизна поддръжка

Любі клієнти та клієнтки,

ми раді, що Ви обрали компанію STIHL. Ми розробляємо та виробляємо нашу продукцію з найвищою якістю та у відповідності із потребами наших клієнтів. Так виникають товари, що мають високу надійність також при екстремальному навантаженні.

Компанія STIHL також гарантує найвищу якість сервісного обслуговування. Наші спеціалізовані дилери забезпечують компетентну консультацію та інструктаж, а також повне технічне обслуговування.

Ми вдячні Вам за Вашу довіру та бажаємо Вам задоволення від придбаного Вами продукту STIHL.

Доктор Nikolas Stihl

**ВАЖЛИВО! ПЕРЕД
ВИКОРИСТАННЯМ ПРОЧИТАТИ ТА
ЗБЕРЕГТИ.**

1. Зміст

Пояснення до цього посібника	338
Загальні відомості	338
Поради щодо читання посібника з експлуатації	338
Опис приладу	339
Техніка безпеки	339
Загальні відомості	339
Заправка – правила поведінки з бензином	340
Одяг та засоби захисту	341
Транспортування приладу	341
Перед початком роботи	341
Під час роботи	342
Техобслуговування і ремонт	344
Зберігання при довгих перервах у роботі	346
Утилізація	346
Опис позначень	346
Комплект постачання	347
Підготовка приладу до експлуатації	347
Інструкція з установлення	347
Монтаж ходової частини	348
Монтаж гальмівної шпори	348
Монтаж ручки керування	348
Розкладання ручки керування	349
Монтаж захисних накладок	349
Монтаж насадок для розпушування МН 445, МН 445 R	349
Монтаж насадок для розпушування МН 445, МН 585, МН 685	350
Монтаж диска для захисту рослин	351
Монтаж важеля рушійного приводу	351
Прокладення привідного тросика	351
Навішування привідного тросика	351
Прокладання та монтаж тросика дросельного клапана	352
Фіксація тросиків на ручці керування	352
Пальне та моторне мастило	352
Пристрої керування	352
Важіль регулювання газу	352
Важіль рушійного приводу	353
Захисні механізми	353
Блокування важеля рушійного приводу	353
Захисні механізми	353
Вказівки щодо роботи	354
Робоча зона користувача	354
Робоча позиція приладу	354
Комбінування насадок для розпушування	354
Ідеальне положення тіла під час роботи	354
Введення приладу в експлуатацію	354
Підготовка до використання	354
Налаштування верхньої частини ручки керування по висоті	354
Налаштування ручки керування по боках	355
Розкладання та складання ходової частини	355
Регулювання гальмівної шпори	355
Запуск двигуна внутрішнього згорання	355
Зупинення двигуна внутрішнього згорання	356
Увімкнення та вимкнення рушійного приводу (передній хід)	356

Увімкнення та вимкнення рушійного приводу (задній хід) (МН 445 R, МН 560, МН 585, МН 685)	356
Сапання	356
Обслуговування	357
Монтаж насадок для розпушування	357
Чищення приладу	357
Двигун внутрішнього згорання	358
Періодичність технічного обслуговування	358
Зберігання та тривале зберігання (зимовий період)	358
Транспортування	359
Транспортування культиватора	359
Захист довкілля	360
Утилізація	360
Зведення зносу до мінімуму та запобігання пошкодженням	360
Замінювані запчастини	361
Декларація виробника про відповідність стандартам ЄС	361
Культиватори STIHL МН 445.0, МН 445.0 R, МН 560.0, МН 585.0, МН 685.0	361
Знак відповідності	362
Встановлена тривалість використання	362
Штаб-квартира STIHL	362
Дочірні компанії STIHL	362
Представники STIHL	362
Імпортери STIHL	362
Технічні характеристики	363
REACH	365
Усунення несправностей	365
План технічного обслуговування	367
Підтвердження передачі	367

Підтвердження про надання технічного обслуговування 367

2. Пояснення до цього посібника

2.1 Загальні відомості

Цей посібник з експлуатації є **оригінальним посібником з експлуатації** виробника відповідно до директиви ЄС 2006/42/ЄС.

Компанія STIHL постійно працює над розширенням і вдосконаленням асортименту своєї продукції. Можливі зміни комплекту постачання щодо форми, оснащення чи технічних характеристик. З цієї причини наведені в посібнику дані і малюнки не можуть слугувати підставою для пред'явлення будь-яких претензій.

Цей посібник з експлуатації може містити описи моделей, які доступні не в усіх країнах.

Цей посібник з експлуатації захищено авторським правом. Усі права захищено, особливо права на відтворення, переклад і обробку електронними системами.

2.2 Поради щодо читання посібника з експлуатації

Малюнки та текст описують певні дії.

Тлумачення всіх символів на приладі можна знайти в посібнику з експлуатації.

Напрямок погляду

У посібнику з експлуатації вказується напрямок погляду під час використання: «**вліво**» та «**вправо**». Користувач стоїть позаду приладу лицем у напрямку руху.

Посилання на розділи

Відповідні розділи та підрозділи з подальшими поясненнями позначені стрілками. Ось приклад посилання на розділ: (⇒ 4.)

Маркування в текстовій частині

Наведені інструкції позначено, як у прикладах нижче.

Маніпуляції, які повинен виконувати користувач:

- Послабте гвинт (1) викруткою, приведіть важіль (2) в дію.

Загальні вказівки:

- використання приладів у спортивних заходах та інших змаганнях

Тексти з додатковим значенням

Маленькі тексти з додатковим значенням виділено наведеними нижче символами, щоб додатково виділити їх у посібнику.



Небезпека!

Попередження про небезпеку нещасного випадку або важких травм. Наведеного правила необхідно дотримуватися.



Попередження

Попередження про небезпеку травмування. Наведене правило дає змогу запобігти можливим або ймовірним нещасним випадкам.



Застереження

Застереження про можливість легких травм і пошкоджень майна. Наведене правило дає змогу їх уникнути.



Указівка

Поради з оптимального використання приладу та застереження від можливих помилок в експлуатації.

Тексти з малюнками

Малюнки, які пояснюють використання приладів, містяться на початку посібника з експлуатації.

Символ камери служить для встановлення зв'язку між малюнками та відповідними параграфами тексту в посібнику з експлуатації.



3. Опис приладу



- 1 Важіль рушійного приводу (передній хід)
- 2 Верхня частина ручки керування
- 3 Затискний важіль
- 4 Трос для запуску двигуна
- 5 Двигун внутрішнього згорання
- 6 Штекер свічки запалювання
- 7 Захисна накладка з боку
- 8 Диск для захисту рослин
- 9 Насадки для розпушування
- 10 Ручка для транспортування

- 11 Захисна накладка з боку
- 12 Ходова частина
- 13 Гальмівна шпора
- 14 Важіль розблокування (ходова частина)
- 15 Болт важеля розблокування (гальмівна шпора)
- 16 Держак
- 17 Важіль регулювання газу
- 18 МН 445 R, МН 560, МН 585, МН 685: важіль рушійного приводу (задній хід)
- 19 Заводська табличка із серійним номером

4. Техніка безпеки

4.1 Загальні відомості



Працюючи з приладом, обов'язково дотримуйтеся наведених правил техніки безпеки.



Перед першим використанням приладу уважно прочитайте увесь посібник з експлуатації. Дбайливо зберігайте посібник

з експлуатації для подальшого використання.

Дотримуйтеся інструкцій з експлуатації і техобслуговування, наведених в окремому посібнику з експлуатації двигуна внутрішнього згорання.

Ці заходи дуже важливі для вашої безпеки. Використовуйте прилад дбайливо та відповідально, пам'ятайте, що відповідальність за безпеку інших осіб чи їхнього майна несе користувач.

Ознайомтеся з пристроями й елементами керування, а також із правилами експлуатації приладу. Зокрема, користувач повинен чітко знати способи швидкого зупинення насадки та двигуна внутрішнього згорання.

Прилад дозволяється використовувати лише тим особам, які прочитали посібник з експлуатації та ознайомилися із правилами його використання. Кожен користувач перед першим запуском приладу повинен отримати практичні поради фахівців. Зверніться до продавця чи до іншого фахівця з приводу пояснення щодо безпечного поводження із приладом.

Ці вказівки особа повинна вислухати дуже уважно та розуміти, що для роботи з цим приладом потрібна особлива точність і концентрація.

Навіть якщо ви експлуатуєте цей прилад належним чином, не варто забувати про можливість виникнення залишкових ризиків.



Небезпека задихнутися!

Граючись із пакувальним матеріалом, діти можуть задихнутися. Тримайте пакувальний матеріал подалі від дітей.

Прилад разом із будь-яким приладдям може бути наданий для використання тільки тій особі, яка має досвід роботи з цією моделлю. Прилад не можна надавати в користування без Посібника з експлуатації.

Використовуйте прилад відпочивши, коли ви у гарному фізичному стані та гуморі. Якщо ви маєте порушення здоров'я, порадьтеся обов'язково з вашим лікарем щодо використання

приладу. Заборонено працювати з приладом після вживання алкоголю, наркотичних речовин і медикаментів, які погіршують здатність до реагування.

Переконайтеся, що фізичні, сенсорні та розумові здібності користувача дозволяють йому керувати приладом і працювати з ним. Якщо через фізичні, сенсорні та розумові здібності користувач може виконувати ці дії з обмеженнями, то він може працювати з приладом лише під наглядом або після інструктажу відповідальної особи.

Переконайтеся, що користувач досяг повноліття, або, якщо цього вимагає місцеве законодавство, здобув професійну освіту під наглядом.

Увага – стережіться нещасного випадку!

Культиватор призначений виключно для обробки ґрунту в рамках посіву, вирощування рослин і догляду за ними. Культиватор можна використовувати тільки для робіт, описаних у цьому Посібнику з експлуатації. Використання не за призначенням заборонено! Застосування для іншої мети неприпустиме й може бути небезпечним. Це може призвести до пошкодження приладу або травмування.

Через небезпеку травмування користувача заборонено застосовувати культиватор (зокрема, але не виключно):

- для догляду за газонами на дахах будівель або в ящиках на балконі,
- для січення та подрібнення обрізків дерев і кущів.

Заборонено транспортувати прилад разом з іншими речами, тваринами чи людьми, особливо дітьми.

З міркувань безпеки заборонено самостійно робити будь-які зміни в оснащенні приладу, виймати запчастини та знімати приладдя, установлене компанією STIHL. Це також веде до переривання гарантії. Інформацію щодо додаткового оснащення можна отримати у офіційного дилера STIHL.

Особливо заборонені дії з приладом, які змінюють його потужність або число обертів двигуна внутрішнього згорання чи електродвигуна.

При використанні у громадських місцях, парках, спортивних майданчиках, на вулицях, на сільськогосподарських та лісових підприємствах необхідна особлива обережність.



Увага! Стережіться негативного впливу вібрацій на здоров'я!

Надмірне навантаження внаслідок вібрації може призвести до проблем із кровообігом і нервовою системою, особливо в людей із порушеннями кровообігу. Якщо з'являться симптоми, котрі можуть бути спричинені вібраційним навантаженням, зверніться до свого лікаря. Ці симптоми з'являються переважно в пальцях, руках і суглобах рук. Серед них (зокрема, але не виключно):

- втрата чутливості,
- біль,
- слабкість м'язів,
- зміна кольору шкіри,
- неприємне свербіння.

Під час експлуатації утримуйте ручку керування обома руками в передбачених місцях, не докладаючи значних зусиль.

Сплануйте робочий час таким чином, щоб можна було уникати надмірних навантажень тривалий час.

Під час використання культиватора робіть перерви на відпочинок. Уникайте тривалої роботи з приладом, оскільки тривалі вібрації погано впливають на здоров'я.

4.2 Заправка – правила поведінки з бензином



Небезпечно для життя!

Бензин – це токсична і легкозаймиста речовина.

Зберігайте бензин у спеціально для цього передбачених та перевірених ємностях (каністрах). Завжди добре закривайте кришки бака і каністри та міцно їх закручуйте. Замінійте пошкоджені кришки з міркувань техніки безпеки.

Для утилізації або зберігання палива ніколи не використовуйте пляшки від напоїв тощо. Може виникнути спокуса, надпити з пляшки, особливо це стосується дітей.



Тримайте бензин на безпечній відстані від іскор, відкритого полум'я, випромінювачів тепла та інших джерел займання. Не палити!

Заливайте паливо лише на відкритому повітрі; при цьому не можна палити.

Перед заправкою слід зупинити двигун внутрішнього згорання та дати йому охолонути.

Бензин слід заливати перед запуском двигуна внутрішнього згорання. Забороняється відкривати кришку бака та доливати бензин, коли двигун внутрішнього згорання працює або прилад ще гарячий.

Не переповнюйте бак для пального!

Ніколи не заповнюйте бак пальним вище нижнього краю горловини; залишайте пальному простору для розширення.

Крім того, дотримуйтеся вказівок із Посібника з експлуатації двигуна внутрішнього згорання.

У випадку якщо бензин перелився через край, то запускати двигун внутрішнього згорання дозволяється лише після очищення залитої бензином поверхні. Не вмикайте запалювання, доки пари бензину повністю не вивітрились (витріть пляму насухо).

Пролите пальне слід обов'язково витерти.

Якщо бензин потрапив на одяг, перевдягніться.

Забороняється зберігати заправлений бензином прилад всередині будівель. Від випадкового контакту з іскрами або відкритим полум'ям пари бензину можуть загорітися.

За потреби вилийте бензин із приладу, робіть це на відкритому повітрі.

4.3 Одяг та засоби захисту



Для роботи завжди взувайте тверде взуття на неслизькій підшві. Не працюйте босоніж або, наприклад, у легких сандалях.



Для технічного обслуговування, чищення та транспортування приладу необхідно завжди вдягати міцні захисні рукавиці та збирати довге волосся (під хустину, шапку тощо).



Під час роботи з приладом необхідно вдягати спеціальний і вузький одяг, а саме комбінезон. Забороняється вдягати робочий халат. Під час роботи з приладом користувачі не повинні мати на собі шарфів, краваток, прикрас, звисаючих стрічок, шнурків чи інших елементів одягу, які б звисали чи виступали.

Рухомі деталі можуть зачепити або захопити волосся, одяг чи його частини. Це може призвести до серйозного травмування.

4.4 Транспортування приладу

Працювати слід тільки в рукавичках, щоб не травмуватися гострими та гарячими деталями приладу.

Не транспортуйте прилад з увімкнутим двигуном внутрішнього згорання. Перед транспортуванням вимкніть двигун внутрішнього згорання, дайте насадці повністю зупинитися та вийміть штекер свічки запалювання.

Прилад можна транспортувати тільки з охолодженим двигуном внутрішнього згорання та порожнім паливним баком.

Дотримуйтеся вказівок, наведених у розділі «Транспортування». Там описано, як піднімати та кріпити прилад. (⇒ 13.)

Прилад потрібно завжди переносити вдвох, дотримуючись указівок щодо точок тримання.

Використовуйте відповідні вантажні пристрої (вантажні платформи, підйомні пристрої).

З міркувань безпеки слідкуйте за тим, щоб під час транспортування або завантаження (особливо у випадку використання вантажної платформи) кут нахилу не перевищував 15°.

Зафіксуйте прилад і його інші деталі на вантажній платформі кріпильними засобами достатніх розмірів (ремнями, тросами тощо). Заборонено транспортувати незакріплений прилад.

STIHL рекомендує використовувати для транспортування культиватора відповідний причіп або вантажну платформу, але не внутрішній простір автомобіля (наприклад, багажник).

Під час транспортування приладу дотримуйтеся регіональних приписів, зокрема тих, що стосуються безпеки завантаження та перевезення предметів на вантажній платформі.

4.5 Перед початком роботи

Обов'язково переконайтеся, що особи, які працюватимуть із приладом, ознайомилися з Посібником із експлуатації.

Перед введенням приладу в експлуатацію перевірте паливну систему на герметичність, особливо видимі деталі, як-от бак, кришку бака, з'єднання шланга. У разі негерметичності чи пошкодження не запускайте двигун внутрішнього згорання. **Небезпека займання!**

Перед введенням в експлуатацію прилад дозволяється ремонтувати фахівцеві сервісної служби.

Дотримуйтеся приписів місцевих органів влади щодо часу експлуатації пристроїв із двигуном внутрішнього згорання для роботи в саду.

Перед роботою уважно огляньте ділянку й винесіть із неї все каміння, палиці, дрів, кістки та інші сторонні предмети, які прилад може підкидати вгору.

Розміщені в ґрунті об'єкти (оприскувачі для газонів, кілки, водяні крани, фундаменти, електропроводку тощо) слід чітко позначити перед початком роботи з приладом і оминати їх. Ніколи не переїжджайте такі сторонні об'єкти.

Перед початком роботи з приладом обов'язково замініть усі дефектні, зношені та пошкоджені частини. Зношені або пошкоджені надписи з попередженнями на корпусі приладу необхідно замінити. Усі необхідні наклейки та запасні частини можна придбати у офіційного дилера STIHL.

Перед початком роботи із приладом перевірте, чи міцно та надійно встановлено штекер свічки запалювання у свічку запалювання.

Прилад можна використовувати тільки в належному технічному стані. Перед кожним введенням в експлуатацію виконуйте описані далі перевірки.

- Перевірте, чи прилад зібрано належним чином.
- Перевірте, чи захисні механізми (наприклад, важіль рушійного приводу, захисні накладки, захисне покриття, ручка керування, захисна сітка) у бездоганному стані та

належним чином функціонують. Заборонено використовувати прилад, якщо захисних механізмів немає, їх пошкоджено, або вони зношені.

- Перевірте, чи наявні насадки (насадки для розпушування) і гвинти кріплення, шплінти. Перевірте, чи вони не зношені та чи мають пошкодження (щербини, тріщини). Замініть зношені та пошкоджені деталі.
- Перевірте, чи надійно та міцно встановлено насадки (насадки для розпушування).
- Перевірте, чи функціонує та чи легко переміщується важіль рушійного приводу.
- Перевірте, чи кришка бака прикручена належним чином.
- Перевірте, чи перебувають бензобак і складові частини системи подачі пального, зокрема кришка бензобака в бездоганному стані.
- Перевірте, чи належним чином закручено гвинтову пробку мастильного бака.
- Перевірте, чи все потрібне додаткове обладнання повністю зібрано та правильно встановлено на приладі. Необхідно встановити й використовувати всі компоненти, які входять у комплект постачання додаткового обладнання.

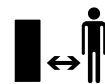
За потреби виконайте всі необхідні роботи або зверніться до сервісної служби. Компанія STIHL рекомендує звертатися до офіційного дилера STIHL.

Захисні накладки з лівого та правого боків відповідають робочій ширині. Їх необхідно встановлювати належним чином. Якщо в моделях МН 445 і МН 445 R робоча ширина збільшується за рахунок додаткових насадок для розпушування (додаткове приладдя STIHL), необхідно також установити більші захисні накладки (входять у комплект постачання додаткового приладдя).

Перемістіть прилад до місця роботи за допомогою транспортних коліс.

Перед введенням в експлуатацію приберіть із приладу всі сторонні предмети (інструменти, ганчірки тощо).

4.6 Під час роботи



Не допускайте сторонніх осіб у небезпечну зону! Не використовуйте прилад, якщо поблизу перебувають інші люди (особливо діти) або тварини.

Увага! Під час роботи прилад підкидає вгору або по боках предмети на зразок каміння, грудок землі тощо.

Приладом повинна керувати лише одна особа. Коли працює двигун внутрішнього згорання, користувач повинен перебувати в робочій зоні. (⇒ 10.1)

Під час експлуатації прилад не можна піднімати, штовхати або тягнути за ручку для транспортування, захисний піддашок чи інші деталі приладу (крім ручок на ручці керування). Особлива небезпека виникає, коли це робить друга особа.

Заборонено знімати та змінювати встановлені на приладі вимикачі й захисні механізми. Зокрема, у жодному разі не можна фіксувати важіль рушійного приводу на верхній частині ручки керування (наприклад, прив'язуванням).



Увага! Небезпека травмування!

Ніколи не наближайте ноги й руки до рухомих деталей. Завжди дотримуйтеся безпечної відстані, заданої рульовою ручкою. Безпечна відстань відповідає довжині відповідно встановленої та розкладеної ручки керування. Не змінюйте ручку керування та ніколи не використовуйте прилад, якщо ручку складено.

Ніколи не закріплюйте сторонні предмети на ручці керування (наприклад, робочий одяг).

Працюйте лише при денному світлі або при належному штучному освітленні.

Заборонено працювати з приладом під дощем, у грозу та особливо при можливості ураження блискавкою.

На вологій поверхні зростає загроза травмування через зменшення стійкості приладу.

Будьте особливо обережні працюючи, щоб не підсковзнутись. Якщо це можливо, не використовуйте прилад на вологій поверхні.

Прилад з установленими насадками для розпушування заборонено експлуатувати на асфальті, плитці тощо.

З особливою обережністю використовуйте прилад під час роботи на схилах і краях ділянки, поблизу ям і

дамб. Особливо стежте за тим, щоб не надто наблизитися до цих небезпечних місць.

Вихлопні гази



Отруєння небезпечне для життя!

При нудоті, головних болях, порушенні зору (наприклад, звуження поля зору), слуху, запамороченнях, послабленні концентрації роботи потрібно негайно припинити. Між іншим, ці симптоми можуть бути викликані високою концентрацією вихлопних газів.



Під час усієї роботи двигуна внутрішнього згорання прилад випускає отруйні вихлопні гази. Ці гази містять отруйний окис вуглецю, газ без кольору та запаху, а також інші шкідливі речовини. Ніколи не використовуйте працюючий двигун внутрішнього згорання в зачиненому або погано провітрюваному приміщенні.

Слідкуйте за напрямком виходу відпрацьованих газів із вихлопної труби. Ніколи не спрямовуйте вихлопну трубу на людину.

Запуск

Запускайте прилад особливо обережно – дотримуйтеся вказівок із розділу «Введення приладу в експлуатацію» (⇔ 11.). Запуск із дотриманням цих вказівок знижує ризик травмування.

Небезпека травмування!

Коли трос для запуску двигуна швидко втягується, руку й кисть смикає до двигуна внутрішнього згорання

швидше, ніж змотується трос. Така віддача може призвести до переломів кісток, забоїв і розтягнень зв'язок.

Пильнуйте, щоб насадки перебували на достатній відстані від ніг.

Забороняється перекидати прилад під час роботи двигуна.

Під час запуску важіль рушійного приводу пересунути неможливо.

Робота на схилах

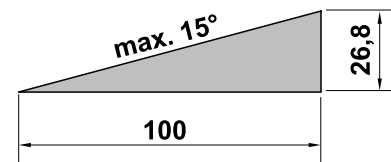
Схили потрібно завжди обробляти в поперечному напрямку, а не в повздовжньому.

На схилі користувачеві не можна стояти нижче від приладу, який працює. Інакше у випадку втрати контролю можна потрапити під прилад.

Будьте особливо обережні, коли змінюєте напрямок руху на схилі.

Займайте надійне положення для роботи на схилах, не косіть на дуже крутих схилах.

Під час роботи на схилах прилад може перекинутися. З міркувань безпеки заборонено використовувати прилад на схилах із кутом нахилу понад 15° (26,8 %). **Небезпека травмування!** Кут нахилу в 15° відповідає вертикальному підйому 26,8 см на 100 см горизонтальної поверхні.



Щоб забезпечити достатнє змащування двигуна внутрішнього згорання, під час використання приладу необхідно дотримуватися додаткових вказівок із

Посібника з експлуатації двигуна внутрішнього згорання, що постачається в комплекті.

Процес роботи



Стережіться травмування!

Ніколи не наближайте рук і ніг до частин, що обертаються.

З міркувань безпеки для керування приладом необхідно використовувати обидві руки. Під час експлуатації обидві руки мають бути на ручці керування. Ніколи не працюйте, тримаючи прилад однією рукою.

Робоча глибина регулюється тільки натисканням на гальмівну шпору.

З особливою обережністю використовуйте прилад на ґрунтах, які важко обробляються (наприклад, кам'янистих або твердих ґрунтах). Зменшуйте швидкість обертання насадок (механізм регулювання газу).

Ведіть прилад повільно. Ніколи не біжіть. При швидкому переміщенні приладу зростає небезпека поранення у випадку спотикання, ковзання тощо.

Увага! Небезпека травмування!

Будьте особливо пильні та витримуйте достатню дистанцію від ніг до насадок (насадок для розпушування), коли повертає прилад, підтягує його до себе або використовуєте задній хід.

Увага! Не спіткніться!

Рухоючись із приладом назад, пильнуйте за перешкодами позаду.

Якщо прилад застряг, зупиніть двигун внутрішнього згорання та витягніть штекер свічки запалювання. Підніміть і вивільніть прилад, звернувшись по допомогу до іншої особи.

Вимкніть двигун внутрішнього згорання в описаних нижче випадках.

- Якщо машину потрібно перевести в положення для транспортування.
- Якщо машину необхідно перемістити до місця роботи або з нього.
- Якщо прилад залишається без нагляду.
- Перед заливанням пального. Заливайте пальне тільки тоді, коли двигун внутрішнього згорання охолов. **Небезпека загорання!**
- Якщо прилад необхідно перемістити по іншій поверхні (яку не потрібно обробляти).

Вимикайте двигун внутрішнього згорання та виймайте штекер свічки запалювання:

- перш ніж розімкнути блокування;
- перш ніж піднімати або переносити прилад;
- перш ніж транспортувати прилад;
- перш ніж перевіряти, чистити прилад чи виконувати з ним інші дії (наприклад, регулювати ручку керування, розкладати шасі);
- якщо прилад наштовхнувся на сторонній предмет або почав сильно вібрувати. У цьому разі перевірте прилад, особливо робочі механізми (насадки для розпушування, їх кріплення, привідний вал), на наявність пошкоджень. Перш ніж знову запустити двигун і почати роботу із приладом, зверніться до фахівців для проведення необхідного ремонту.



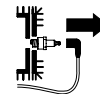
Небезпека травмування!

Сильна вібрація зазвичай указує на наявність несправностей. Заборонено користуватися культиватором із пошкодженим або погнутих приводним валом чи насадками. Якщо вам бракує необхідних знань, зверніться для проведення необхідного ремонту до фахівців. Компанія STIHL рекомендує звертатися до офіційного дилера STIHL.

4.7 Техобслуговування і ремонт

Перед початком робіт із чищення, установлення, ремонту та технічного обслуговування:

- установіть прилад на міцній рівній поверхні;
- зупиніть двигун внутрішнього згорання та дайте йому охолонути;
- витягніть штекер свічки запалювання.



Увага! Небезпека травмування!

Тримайте штекер свічки запалювання подалі від самої свічки, оскільки випадкова іскра може призвести до пожежі чи ураження струмом. Випадковий контакт штекера свічки запалювання зі свічкою може призвести до ненавмисного запуску двигуна внутрішнього згорання.

Укладайте прилад для чищення та технічного обслуговування тільки в напрямку назад. Ніколи не кладіть прилад на бік чи вперед. Це може

пошкодити двигун внутрішнього згорання та інші частини приладу, і доведеться робити ремонт.

Перш ніж розпочати технічне обслуговування в області передач, двигуна внутрішнього згорання, випускного колектора чи глушника, приладу необхідно дати охолонути. Його температура може досягати 80° C і більше. **Небезпека опіків!**

Прямий контакт із моторним мастилом може бути небезпечним, крім того мастило не можна проливати. Компанія STIHL рекомендує звертатися до фахівців STIHL для заливання чи заміни моторного мастила.

Перевіряйте регулярно весь прилад, особливо перед зберіганням (наприклад, зимова пауза) на наявність сточування ножів та пошкоджень. З огляду на техніку безпеки відразу міняйте зношені чи пошкоджені деталі, щоб прилад завжди був у надійному робочому стані.

Чищення

Уважно чистьте увесь прилад після застосування. (⇒ 12.2)

Налиплі залишки зніміть за допомогою дерев'яної палички. Очистьте нижню частину приладу за допомогою щітки та води.

Не використовуйте агресивні очисні засоби. Вони можуть пошкодити пластик і метал, а це може завадити безпечній роботі приладу STIHL.

Нижню частину приладу (усі деталі під захисним піддашком) можна почистити під високим тиском або за допомогою пароструминного насоса. При цьому необхідно дотримуватися відстані 1 м і ніколи не спрямовувати струмінь води

прямо на підшипники та прокладки, зокрема на прокладку між коробкою передач і захисним піддашком.

Щоб зменшити ризик пожежі, слідкуйте за тим, щоб у зону охолоджувальних отворів, ребра охолодження або вихлопної труби не потрапляли трава, соломка, мох, листя чи жир.

Технічне обслуговування

Дозволяється виконувати лише такі роботи з технічного обслуговування, про які йдеться в посібнику з експлуатації. Усі інші роботи повинні проводити тільки працівники сервісних центрів.

Якщо Вам не вистачає необхідної інформації та допоміжних засобів, це все **завжди** можна отримати у працівника сервісного центру. Для технічного обслуговування та ремонту приладів компанія STIHL рекомендує звертатися до офіційного дилера STIHL.

Спеціалісти офіційних дилерських центрів STIHL регулярно проходять навчання та отримують технічний інструктаж.

Застосовуйте лише інструменти, приладдя чи навісні пристрої, допущені компанією STIHL до використання із цим приладом. Інакше існує загроза нещасних випадків, які можуть призвести до поранень і пошкодження приладу. Якщо у Вас виникли запитання, обов'язково зверніться до офіційного дилера.

Оригінальні інструменти, навісне приладдя та запасні частини STIHL за своїми властивостями оптимально підходять для приладу та вимог користувача. Оригінальні запчастини STIHL можна визначити за номером

запчастини, написом STIHL і маркуванням на запчастині компанії STIHL (за потреби). На запчастині малого розміру може бути присутній лише знак маркування.

З міркувань безпеки потрібно регулярно перевіряти паливопроводні частини приладу (бензиновий шланг, бензокран, бензобак, кришку бензобака, отвори з'єднання тощо) на наявність пошкоджень і герметичність. У випадку наявності пошкоджень потрібно звернутися до фахівця щодо їх заміни (компанія STIHL рекомендує звертатися до офіційного дилера STIHL).

Підтримуйте попереджувальні та вказівні наклейки чистими, щоб їх можна було прочитати. Пошкоджені або загублені наклейки слід замінювати новими оригінальними наклейками, які можна придбати у офіційного дилера STIHL. Якщо деталь потрібно замінити на нову, зверніть увагу, щоб нова деталь мала аналогічну наклейку.

Для підтримання приладу в робочому стані міцно закручуйте всі гайки, болти та гвинти.

Ніколи не змінюйте базових параметрів налаштувань двигуна внутрішнього згорання та не перевищуйте номінальної швидкості обертання.

Зняті для проведення технічного обслуговування конструктивні елементи й захисні механізми необхідно негайно встановити відповідно до чинних вимог.

Під час заміни насадок (насадок для розпушування) необхідно звернути увагу на їхній тип і комбінацію. Можна використовувати лише прилади, які дозволяє компанія STIHL.

4.8 Зберігання при довгих перервах у роботі

Дочекайтесь охолодження двигуна внутрішнього згорання перед тим, як поставити прилад у закрите приміщення.

Зберігати прилад з пустим баком та запас палива потрібно у приміщенні, що закривається та добре вентиляється.

Переконайтеся щодо захищеності приладу від некомпетентних осіб (наприклад, дітей).

Забороняється зберігати заправлений бензином прилад всередині будівель. Від випадкового контакту з іскрами або відкритим полум'ям пари бензину можуть загорітися.

Якщо необхідно спорожнити бак, зокрема для зберігання перед зимовою перервою, робіть це на відкритому повітрі (наприклад, можна витратити все пальне, запустивши двигун внутрішнього згорання).

Дбайливо очистьте прилад перед збереженням (наприклад, зимова пауза).

Зберігати прилад з витягнутим наконечником свічки.

Зберігайте прилад у технічно безпечному стані.

Дочекайтесь повного охолодження приладу перед тим, як його накрити.

4.9 Утилізація

Такі відходи як старий бензин чи пальне, використане мастило, фільтри, акумулятори й інші схожі швидкозношувані деталі можуть

наносити шкоду людині, тваринам та довкіллю, тому вони обов'язково повинні бути утилізовані за всіма відповідними правилами.

Зверніться до центру утилізації або сервісного центру, щоб дізнатися, як правильно утилізувати відходи. Компанія STIHL рекомендує звертатися до офіційного дилера STIHL.

Подбайте про відповідну утилізацію приладу, що вийшов із ладу. Дотримуйтеся вказівок із розділу «Захист навколишнього середовища». (⇒ 14.)

5. Опис позначень



Увага! – Небезпека травмування!

Перед введенням приладу в експлуатацію прочитайте Посібник з експлуатації та дотримуйтеся правил техніки безпеки.

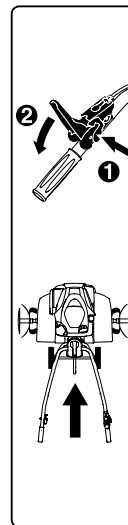
Інструменти, що обертаються: тримайте руки й ноги подалі від інструментів, які обертаються. Працюйте тільки із захисним покриттям.

Дотримуйтеся безпечної дистанції.

Перед технічним обслуговуванням і чищенням приладу завжди витягайте штекер свічки запалювання.

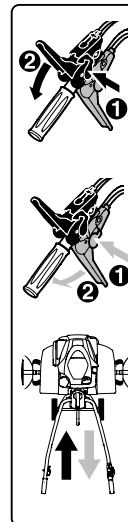
МН 445:

З міркувань безпеки прилад сконструйовано так, що важіль рушійного приводу можна задіяти тільки після натискання важеля розблокування. Це допомагає запобігти ненавмисному ввімкненню важеля рушійного приводу.



МН 445 R, МН 560, МН 585, МН 685:

З міркувань безпеки прилад сконструйовано так, що важіль рушійного приводу можна задіяти тільки після натискання відповідного важеля розблокування. Це допомагає запобігти ненавмисному ввімкненню важеля рушійного приводу. Чорний важіль рушійного приводу забезпечує передній хід, а червоний - задній хід.



Небезпека опіків!

Не торкайтеся гарячих поверхонь.
Коробка передач нагрівається.

6. Комплект постачання



Поз.	Опис	К-сть
A	Базовий прилад	1
B	Ручка керування	1
C	Затискний важіль	1
D	Ходова частина	1
E	Гальмівна шпора	1
F	Захисна накладка з лівого боку	1
G	Захисна накладка з правого боку	1
H	MH 445, MH 445 R: Насадка для розпушування	4
I	MH 560, MH 585, MH 685: Подвійна насадка для розпушування	2
J	MH 585, MH 685: Одинарна насадка для розпушування	2
K	Захисне кільце	2
L	Диск для захисту рослин	2
M	Важіль рушійного приводу (передній хід), чорний	1
N	MH 445 R, MH 560, MH 585, MH 685: Важіль рушійного приводу (задній хід), червоний	1
O	MH 445: Контргайка M6	1
P	MH 445: Захисний ковпачок	1

Поз.	Опис	К-сть
Q	Контргайка M6	1
R	Гвинт із напівпотайною головкою M6	1
S	MH 445, MH 445 R, MH 585, MH 685: Складаний шплінт 10x40 MH 560: Складаний шплінт 10x40	6 4
T	Гвинт із напівпотайною головкою M8	2
U	Шестигранна гайка M8	2
V	Кабельна стяжка	2
–	Посібник з експлуатації	1
–	Посібник з експлуатації Двигун внутрішнього згорання	1
–	MH 560, MH 585, MH 685: Ключ запалювання	1

7. Підготовка приладу до експлуатації

7.1 Інструкція з установлення



Небезпека травмування!

Дотримуйтеся відповідних правил, наведених у розділі «Техніка безпеки». (⇒ 4.)
Насамперед витягніть штекер свічки запалювання. Для будь-яких робіт із насадками для розпушування надягайте міцні рукавиці.

Дотримуйтеся вказаних обертальних моментів!

Під час прокладання й навішування привідних тросиків і тросика дросельного клапана необхідно дотримуватись інструкцій із посібника. Неправильний монтаж тросиків (наприклад, неправильне прокладання або навішування не на той привідний важіль) може спричинити збій у роботі приладу.

- Усі описані роботи виконуються на чистій, рівній і твердій горизонтальній поверхні.
- Дотримуйтеся правильного положення для монтажу, завжди зважаючи на стійкість і надійність розташування приладу.

- Чітко дотримуйтеся вказівок щодо монтажу тросиків. Насамперед усі тросики необхідно закріпити на ручці керування за допомогою **кабельної стяжки**, щоб уникнути пошкодження приладу (особливо під час складання ручки керування) або можливих збоїв у його роботі.

Важіль рушійного приводу, привідні тросики

MN 445:

- Чорний важіль рушійного приводу на верхній частині ручки керування.

- Привідний тросик (передній хід).

MN 445 R, MN 560, MN 585, MN 685:

- Чорний важіль рушійного приводу на верхній частині ручки керування.

- Червоний важіль рушійного приводу на нижній частині ручки керування.

- Привідний тросик (передній хід).
Привідний тросик обладнано **чорним ковпачком** і навішено на чорний важіль рушійного приводу.

- Привідний тросик (задній хід).
Привідний тросик обладнано **червоним ковпачком** і навішено на червоний важіль рушійного приводу.

7.2 Монтаж ходової частини



- **3** Позиція для монтажу.
Укладіть базовий прилад (A) у напрямку вперед, як показано на малюнку. Для забезпечення стійкості встановіть обидва приводні вали на відповідні дерев'яні бруски (1) (висота 50 - 60 мм, ширина/довжина прибіл. 100 мм).

- **1** Підніміть угору й утримуйте затискач (2).
- **2** Вставте ходову частину (D) у заглиблення (3) болта важеля розблокування (4).
- Натисніть ходову частину (D) до упору вгору й утримуйте.
- **3** Притисніть затискач (2) униз. Вставте гвинти (T) знизу з обох боків.
- **4** Закріпіть затискач (2), закрутивши обидві гайки (U).

7.3 Монтаж гальмівної шпори



- Позиція для монтажу:
див. розділ «Монтаж ходової частини» (⇒ 7.2)
- Натисніть і утримуйте болт важеля розблокування (1).
- Вставте гальмівну шпору (E) знизу в адаптер (2) і перемістіть до упору вгору.
- Відпустіть болт важеля розблокування (1) та потягніть гальмівну шпору (E) вниз, щоб вона зафіксувалася.
- Перевірте, чи надійно зафіксована гальмівна шпора (E).

7.4 Монтаж ручки керування



- **1** Позиція для монтажу:
див. розділ «Монтаж ходової частини» (⇒ 7.2)
- Зніміть гумову стрічку (1).
- **2** Підніміть і утримуйте консоль (2).

- **3** Вставте до упору й утримуйте ручку керування (B) по центру між консоллю (2) і нижньою частиною ручки керування (3). Півдужки шпонки (4) слід розмістити вздовж важеля фіксатора (5), як зображено на малюнку.
Контролюйте положення шпонки (4) в регульовальному елементі (6), як показано на малюнку; за потреби навісьте шпонку.
- **4** Затягніть гвинт (7).
- **5** Викрутіть гайку (8) на затискному важелі (C) та зніміть разом зі шпонкою (9).
- Вставте затискний важіль (C) із вбудованим гвинтом зверху крізь консоль (2) і нижню частину ручки керування (3). Установіть шпонку (9) на затискний важіль (C). Затягніть гайку (8) одним-двома обертами.



Примітка.

- Затискний важіль (C) слід монтувати так, щоб натисканням його можна було змістити вперед до двигуна внутрішнього згорання.
- **6** Виберіть центральне положення верхньої частини ручки керування (3). (⇒ 11.3)
- Натисніть затискний важіль (C) рукою вперед.
- Затягніть гайку (8) з моментом затягування 5 нм (не до упору).
- Контроль фіксації
Затискний важіль (C) установлено правильно, якщо при натисканні на нього рукою ручка керування надійно фіксується на базовому приладі.

- Регулювання сили затискання
Якщо ручка керування зафіксована недостатньо міцно або затискний важіль не вдається притиснути рукою, відпустіть затискний важіль і відрегулюйте силу затискання затягуванням або ослабленням гайки (8).
Після цього знову натисніть затискний важіль уперед.



Небезпека отримання травми!

Прилад можна штовхати або тягнути, тільки якщо ручка керування міцно зафіксована на базовому приладі (у притиснутому стані ручка керування має міцно триматися).

7.5 Розкладання ручки керування



- Потягніть затискний важіль (1) вгору. Розкладіть верхню частину ручки керування (2) в напрямку стрілки.
- Притисніть затискний важіль (1) до упору вперед.
- Відрегулюйте висоту ручки керування. (⇒ 11.2)

7.6 Монтаж захисних накладок



- Перевірте гвинти (1), заздалегідь вставлені в захисні накладки (F, G). Вони не мають бути повністю викручені.
- Установіть культиватор у положення для чищення. (⇒ 12.2)

- Вставте ліву захисну накладку (F) з трьома заздалегідь вкрученими гвинтами (1) у три свердловини (2) на кришці.
- Підсуньте захисну накладку (F) вперед і утримуйте її.
- Вкрутіть гвинти (1) і затягніть їх із моментом затягування 10 - 12 нм.
- Перевірте, чи надійно встановлено захисну накладку (F). Потім так само встановіть праву захисну накладку (G).

7.7 Монтаж насадок для розпушування МН 445, МН 445 R



- Установіть культиватор у положення для чищення. (⇒ 12.2)



Точно дотримуйтесь інструкцій з установа. Особливо дотримуйтеся послідовності дій і повністю встановіть захисні кільця, насадки для розпушування та складані шплінти, як описано в інструкції. Під час установа складаного шплінта точно дотримуйтеся напрямку для його вставлення та лінії запобіжної ручки. Унаслідок неправильного монтажу складаний шплінт може викрутитися та загубитися.

Для ефективно роботи леза насадок для розпушування потрібно скерувати вперед (а не до ручки керування), орієнтуючись на напрямок стрілки.

Визначення насадок для розпушування

- Насадка для розпушування (1): однаковий зовнішній діаметр основного вала (2).
- Насадка для розпушування (3): різний зовнішній діаметр основного вала (4).



- Установіть захисне кільце (K) на привідний вал (5) до упору. У заглиблення захисного кільця мають увійти три фіксатори на коробці передач (6).

- Насадку для розпушування (1) розмістіть так, щоб спрямувати **коротший** край основного вала (2) до коробки передач, а леза (7) - уперед. Стрілка (8) на насадці для розпушування та стрілка (9) на коробці передач (6) мають указувати в одному напрямку.

- Установіть насадку для розпушування (1) на привідний вал (5).
- Поверніть насадку для розпушування (1) так, щоб сумістити отвори основного та привідного вала.



- Складаний шплінт (S) вставте в отвори та зафіксуйте, склавши запобіжну ручку.

3

- Насадку для розпушування (3) розмістіть так, щоб спрямувати частину основного вала (4) з **меншим** зовнішнім діаметром до вже встановленої насадки (1), а леза (7) - уперед. Стрілка (8) на насадці для розпушування та стрілка (9) на коробці передач (6) мають указувати в одному напрямку.
- Вставте насадку для розпушування (3) в уже встановлену насадку (1).
- Насадку для розпушування (3) поверніть так, щоб сумістити отвори обох насадок.

4

- Складаний шплінт (S) вставте в отвори та зафіксуйте, склавши запобіжну ручку.
- За потреби встановіть диск для захисту рослин. (⇒ 7.9)
- Повторіть процес монтажу насадки для розпушування з іншого боку.

7.8 Монтаж насадок для розпушування МН 445, МН 585, МН 685



- Установіть культиватор у положення для чищення. (⇒ 12.2)



Точно дотримуйтеся інструкцій з установлення. Особливо дотримуйтеся послідовності дій і повністю встановіть захисні кільця, насадки для розпушування та складані шплінти, як описано в інструкції. Під час установлення складаного шплінта точно дотримуйтеся напрямку для його вставлення та лінії запобіжної ручки. Унаслідок неправильного монтажу складаний шплінт може викрутитися та загубитися.

Для ефективної роботи леза насадок для розпушування потрібно скерувати вперед (а не до ручки керування), орієнтуючись на напрямок стрілки.

Визначення насадок для розпушування

- Насадка для розпушування (I): дворядкова насадка для розпушування.
- Насадка для розпушування (J): однорядкова насадка для розпушування.

1 МН 560, МН 585, МН 685

- Установіть захисне кільце (K) на привідний вал (1) до упору. У заглиблення захисного кільця мають ввійти три фіксатори на коробці передач (2).

- Насадку для розпушування (I) розмістіть так, щоб спрямувати **коротший** край основного вала (3) до коробки передач, а леза (4) - уперед. Стрілка (5) на насадці для розпушування та стрілка (6) на коробці передач (2) мають указувати в одному напрямку.
- Установіть насадку для розпушування (I) на привідний вал (1).
- Поверніть насадку для розпушування (I) так, щоб сумістити отвори основного та привідного вала.

2 МН 560, МН 585, МН 685

- Складаний шплінт (S) вставте в отвори та зафіксуйте, склавши запобіжну ручку.

3 МН 585, МН 685

- Насадку для розпушування (J) розмістіть так, щоб спрямувати частину основного вала (7) з **меншим** зовнішнім діаметром до вже встановленої насадки (I), а леза (4) - уперед. Стрілка (5) на насадці для розпушування та стрілка (6) на коробці передач (2) мають указувати в одному напрямку.
- Вставте насадку для розпушування (J) в уже встановлену насадку (I).
- Поверніть насадку для розпушування (J) так, щоб сумістити отвори обох насадок.

4 МН 585, МН 685

- Складаний шплінт (S) вставте в отвори та зафіксуйте, склавши запобіжну ручку.

МН 560, МН 585, МН 685

- За потреби встановіть диск для захисту рослин. (⇒ 7.9)
- Повторіть процес монтажу насадки для розпушування з іншого боку.

7.9 Монтаж диска для захисту рослин



Під час установлення складаного шплінта точно дотримуйтеся напрямку для його вставлення та лінії запобіжної ручки. Унаслідок неправильного монтажу складаний шплінт може викрутитися та загубитися.

- Установіть диск для захисту рослин (L) на зовнішню насадку для розпушування. Диск для захисту рослин поверніть так, щоб сумістити свердловину диска й насадки для розпушування.
- Складаний шплінт (S) вставте у свердловину та зафіксуйте, склавши запобіжну ручку.
- Повторіть процедуру з іншого боку.

7.10 Монтаж важеля рушійного приводу



- Дотримуйтеся інструкцій з установлення. (⇒ 7.1)
- Чорний важіль рушійного приводу (M) із вбудованим гвинтом (1) вставте зверху у свердловину на верхній частині ручки керування.

- МН 445:
Закрутіть контргайку (O) і затягніть із моментом затягування 7 - 9 Н·м.
Насадіть захисний ковпачок (P).
- МН 445 R, МН 560, МН 585, МН 685:
Червоний важіль рушійного приводу (N) розмістіть так, щоб гвинти чорного важеля можна було вкрутити в гайки, вбудовані в червоний важіль.
Натисніть на червоний важіль рушійного приводу (N) вгору до ручки керування. Вкрутіть гвинт (1) і затягніть його з моментом затягування 7 - 9 Н·м.

7.11 Прокладення привідного тросика



- Дотримуйтеся інструкцій з установлення. (⇒ 7.1)
- **1** Розмотайте привідний тросик (передній хід) (1) і навісьте його у фіксаторі (2).
- **2** Затягніть гайки (3) з моментом затягування 2 - 4 Н·м.
- Прокладіть привідний тросик (передній хід) (1) у напрямку вгору, як описано далі.
A Протягніть привідний тросик (передній хід) (1) через верхню частину ручки керування (4).
B Прокладіть привідний тросик (передній хід) (1) під поперечиною (5) верхньої частини ручки керування.

- МН 445 R, МН 560, МН 585, МН 685:
Прокладіть привідний тросик (задній хід) (6) вздовж правої стінки двигуна внутрішнього згорання нижче поворотного важеля (7). Протягніть тросик вгору по ручці керування так само, як привідний тросик (передній хід).

7.12 Навішування привідного тросика



- Дотримуйтеся інструкцій з установлення. (⇒ 7.1)

Привідний тросик (передній хід)

- Вставте ніпель (1) тросика з чорним ковпачком (2) у чорний важіль рушійного приводу (M).
- Протягніть ніпель (1) крізь отвір (3) важеля (4). Для цього за потреби скористайтеся відповідними кліщами.
- За допомогою відповідних кліщів потягніть за ніпель (1) і навісьте його у важелі (4), як показано на малюнку.
- Надягніть ковпачок (2) на важіль рушійного приводу (4) та зафіксуйте його.
- **Контроль правильності функціонування**
Приведіть у дію важіль рушійного приводу. (⇒ 8.2)
Важіль рушійного приводу має легко переміщатися.

Привідний тросик (задній хід) МН 445 R, МН 560, МН 585, МН 685:

- Вставте ніпель тросика з червоним ковпачком у червоний важіль рушійного приводу.

- Подальший монтаж ідентичний монтажу привідного тросика (передній хід).

7.13 Прокладання та монтаж тросика дросельного клапана



- Дотримуйтесь інструкцій з установлення. (⇒ 7.1)
- Розмотайте тросик дросельного клапана (1) та прокладіть, як описано далі.

Протягніть тросик дросельного клапана через верхню частину ручки керування (2).

Прокладіть тросик дросельного клапана під поперечиною (3) верхньої частини ручки керування.

- Вставте гвинт (Т) у свердловину корпусу для тросика дросельного клапана (4). Корпус для тросика дросельного клапана з вставленим гвинтом установіть на внутрішній стороні верхньої частини ручки керування й утримуйте. Закрутіть контргайку (U) і затягніть її з моментом затягування 7 - 9 нм.

7.14 Фіксація тросиків на ручці керування



- Дотримуйтесь інструкцій з установлення. (⇒ 7.1)
- МН 445:
Зафіксуйте привідний тросик (1) за допомогою кабельної стяжки (V) праворуч на верхній частині ручки керування.

- МН 445 R, МН 560, МН 585, МН 685:
Зафіксуйте обидва привідні тросики (1, 2) за допомогою кабельної стяжки (V) праворуч на верхній частині ручки керування.

- Зафіксуйте тросик дросельного клапана (3) за допомогою кабельної стяжки (V) ліворуч на верхній частині ручки керування.

- Перевірте, чи надійно тримаються кабельні стяжки. Відріжте зайві кінці кабельних стяжок.

7.15 Пальне та моторне мастило



Уникайте пошкодження приладу!

Перед першим запуском приладу необхідно залити моторне мастило. Для заливання моторного мастила або пального використовуйте відповідні допоміжні засоби (наприклад, воронку).

Моторне мастило

Відомості про тип і кількість моторного мастила див. у Посібнику з експлуатації двигуна внутрішнього згорання.

Регулярно перевіряйте рівень моторного мастила (див. Посібник з експлуатації двигуна внутрішнього згорання).

Слід уникати зависокого та заниженого рівня мастила.

Перед введенням в експлуатацію двигуна внутрішнього згорання кришку бака з мастилом необхідно міцно закрити.



Пальне

Рекомендація:

використовуйте свіже фірмове пальне, неетилований бензин.

Відомості про якість пального (октанове число) див. у Посібнику з експлуатації двигуна внутрішнього згорання.



8. Пристрої керування

8.1 Важіль регулювання газу



За допомогою важеля регулювання газу (1) можна регулювати кількість обертів двигуна внутрішнього згорання.

Положення «старт»

- Перемістіть важіль регулювання газу (1) до упору **назад**.
- Двигун внутрішнього згорання можна запускати. (⇒ 11.6)

Положення «стоп»

- Перемістіть важіль регулювання газу (1) до упору **вперед** (зважайте на стопори).
- Двигун внутрішнього згорання зупиниться за кілька секунд.

Регулювання кількості обертів

- Переміщайте важіль регулювання газу (1) під час роботи двигуна внутрішнього згорання.



Кількість обертів двигуна

Швидко



Повільно



8.2 Важіль рушійного приводу



Під час роботи двигуна внутрішнього згорання важелем рушійного приводу (1, 3) можна вмикати або вимикати привід (починати обертання привідного вала чи зупиняти його).

Коли встановлено насадки для розпушування й наявний контакт із ґрунтом, **чорний** важіль рушійного приводу (передній хід) (1) забезпечує **передній хід** культиватора.

Коли встановлено насадки для розпушування й наявний контакт із ґрунтом, **червоний** важіль рушійного приводу (задній хід) (3) забезпечує **задній хід** культиватора.

З міркувань безпеки важелі рушійного приводу механічно блокуються, щоб запобігти ненавмисному ввімкненню. (⇒ 9.1)

Крім того, через механічне блокування у моделях МН 445 R, МН 560, МН 585, МН 685 завжди можна натиснути лише один важіль рушійного приводу: передній хід або задній хід.



Уникайте пошкодження приладу.

Натискайте на важіль рушійного приводу швидко та плавно, не залишайте його в напівнатиснутому положенні. Це запобігає зносу клинчастого ремня.

Приведення в дію важеля рушійного приводу (передній хід)



- **1** Натисніть важіль розблокування (2) до упору до важеля рушійного приводу (передній хід) (1) і утримуйте його.
- **2** Швидко натисніть важіль рушійного приводу (передній хід) (1) до упору й утримуйте його.
- Відпустіть важіль розблокування (2). Привід увімкнено, привідний вал обертається.
- **3** Вимкнення приводу: відпустіть важіль рушійного приводу (передній хід) (1).

Приведення в дію важеля рушійного приводу (задній хід) (МН 445 R, МН 560, МН 585, МН 685):



- **1** Натисніть важіль розблокування (4) до упору до важеля рушійного приводу (задній хід) (3) і утримуйте його.
- **2** Швидко натисніть важіль рушійного приводу (задній хід) (3) до упору й утримуйте його.
- Відпустіть важіль розблокування (4). Привід увімкнено, привідний вал обертається.

- **3** Вимкнення приводу: Відпустіть важіль рушійного приводу (задній хід) (3).

9. Захисні механізми

Прилад оснащено багатьма запобіжними механізмами для безпечного користування та захисту від неправильного використання.



Небезпека травмування!

Запобіжні пристрої не можна знімати, перемикати, змінювати та використовувати пошкодженими. Якщо виявлено несправність запобіжного механізму, приладом користуватися не можна. Зверніться до офіційного дилера. Компанія STIHL рекомендує звертатися до офіційного дилера STIHL.

9.1 Блокування важеля рушійного приводу

З міркувань безпеки важіль рушійного приводу механічно блокується, щоб запобігти ненавмисному ввімкненню.

Для приведення в дію важеля рушійного приводу необхідно спочатку натиснути відповідний важіль розблокування. (⇒ 8.2)

9.2 Захисні механізми

Культиватор оснащений захисними механізмами, які запобігають ненавмисному контакту з насадками та забезпечують захист від предметів, які вилітають із-під приладу вгору.

До них належать бокові захисні накладки, захисний піддашок і правильно встановлена ручка керування.

10. Вказівки щодо роботи

10.1 Робоча зона користувача



- З міркувань безпеки впродовж усього часу роботи (під час роботи двигуна внутрішнього згорання) користувач повинен перебувати лише в робочій зоні (сіра поверхня 1).
- Культиватором повинна керувати лише одна особа. Сторонніх осіб не можна допускати в небезпечну зону. (⇒ 4.)

10.2 Робоча позиція приладу



- Під час експлуатації культиватор має стояти на землі у вертикальному положенні (двигун внутрішнього згорання зверху). Протягом усього часу експлуатації культиватор можна вести горизонтально, уникаючи крутих схилів і перекидань.

10.3 Комбінування насадок для розпушування



На лівий і правий привідні вали завжди встановлюйте однакову кількість насадок для розпушування.

Диск для захисту рослин можна встановлювати для всіх описаних комбінацій насадок для розпушування. Він захищає навколишні рослини (наприклад, під час сапання на вузькій клумбі).

Можливі комбінації МН 445, МН 445 R:

- 2 насадки для розпушування: по одній однорядковій насадці для розпушування на привідний вал
- 4 насадки для розпушування: по дві однорядкові насадки для розпушування на привідний вал

Можливі комбінації МН 560:

- 2 насадки для розпушування: по одній дворядковій насадці для розпушування на привідний вал

Можливі комбінації МН 585, МН 685:

- 2 насадки для розпушування: по одній дворядковій насадці для розпушування на привідний вал
- 4 насадки для розпушування: по одній дворядковій і однорядковій насадці для розпушування на привідний вал

10.4 Ідеальне положення тіла під час роботи



Ідеальне положення тіла під час роботи допомагає уникнути швидкої втоми.

Для цього прилад слід відрегулювати (налаштуванням ручки керування по висоті, налаштуванням гальмівної шпори) так, щоб протягом усього робочого часу можна було рівно тримати спину.

Ідеальне положення тіла:

- пряма спина;
- прямі ноги;
- передпліччя злегка зігнуті вниз.

11. Введення приладу в експлуатацію

11.1 Підготовка до використання



Небезпека травмування!

Дотримуйтеся відповідних правил, наведених у розділі «Техніка безпеки». (⇒ 4.)
Ознайомтеся з пристроями керування на культиваторі. (⇒ 8.)

- Перевірте рівень моторного мастила, за потреби долийте. (⇒ 7.15)

11.2 Налаштування верхньої частини ручки керування по висоті



Верхню частину ручки керування можна відрегулювати по висоті.

- Розкладіть ходову частину. (⇒ 11.4)

- Однією рукою міцно тримайте верхню частину ручки керування (1) за держак (2).
- Другою рукою потягніть затискний важіль (3) назад і утримуйте його.
- Установіть верхню частину ручки керування (1) в потрібне положення.
- Притисніть затискний важіль (3) вперед і прослідкуйте, щоб верхня частина ручки керування повністю зафіксувалася.
- За потреби складіть ходову частину. (⇒ 11.4)

11.3 Налаштування ручки керування по боках



По боках ручку керування можна зафіксувати у 3 положеннях.

- Розкладіть ходову частину. (⇒ 11.4)
- Візьміть верхню частину ручки керування однією рукою за держак.
- Потягніть затискний важіль (1) рукою вгору.
- Установіть ручку керування в потрібне положення. Слідкуйте за тим, щоб фіксатор (2) опинився над одним із трьох заглиблень (3).
- Зафіксуйте ручку керування, притиснувши рукою затискний важіль (1) вперед.
- Перевірте, чи міцно встановлено ручку керування.
- За потреби складіть ходову частину. (⇒ 11.4)

11.4 Розкладання та складання ходової частини



За допомогою ходової частини культиватор можна штовхати або тягнути під час транспортування.



Небезпека травмування!

Якщо натиснути важіль розблокування, коли ходова частина перебуває в робочій позиції (відкинута вгору), вона може самостійно перейти в положення для транспортування.

Розкладання ходової частини – установка в положення для транспортування

- Злегка підніміть ходову частину (1) однією рукою та утримуйте її.
- Натисніть на важіль розблокування (2).
- Розкладіть ходову частину (1) до упору вниз і відпустіть важіль розблокування (2). Ходова частина зафіксується.

Складання ходової частини – робоча позиція

- Однією рукою візьміться за ходову частину (1) і злегка підніміть, щоб зменшити навантаження на неї.
- Натисніть важіль розблокування (2) та складіть ходову частину вгору.
- Відпустіть важіль розблокування (2) і відкиньте ходову частину до упору вгору. Ходова частина зафіксується в робочій позиції.

11.5 Регулювання гальмівної шпори



За допомогою гальмівної шпори можна регулювати опір під час обробки ґрунту і, відповідно, швидкість переміщення. Для кращого регулювання гальмівну шпору можна налаштувати в 3 положеннях.

Налаштування гальмівної шпори

- Розкладіть ходову частину, щоб установити прилад у положення для транспортування. (⇒ 11.4) Слідкуйте за стійкістю та надійністю розташування приладу.
- Натисніть і утримуйте болт важеля розблокування (1).
- Установіть гальмівну шпору (2) в потрібне положення.
- Відпустіть болт важеля розблокування (1) та прослідкуйте, щоб гальмівна шпора зафіксувалася.

11.6 Запуск двигуна внутрішнього згорання



- Переведіть важіль регулювання газу в положення запуску. (⇒ 8.1)
- Візьміть і міцно тримайте однією рукою ручку троса для запуску двигуна (1).

- Повільно потягніть трос для запуску двигуна (1) до упору. Далі сильно й швидко одним рухом витягніть його на відстань руки. Повільно відпустіть трос для запуску двигуна (1), щоб він міг знову змотатися. Повторюйте цю процедуру, доки двигун внутрішнього згорання не запуститься.

11.7 Зупинення двигуна внутрішнього згорання

- Щоб зупинити двигун внутрішнього згорання, установіть важіль регулювання газу в положення Stop. (⇒ 8.1)
За короткий час гальмування двигун внутрішнього згорання повністю зупиниться.

11.8 Увімкнення та вимкнення рушійного приводу (передній хід)

Увімкнення рушійного приводу (передній хід)

- Транспоруйте культиватор на ділянку, яку потрібно обробити, з вимкненим двигуном внутрішнього згорання. (⇒ 13.)
- Запустіть двигун внутрішнього згорання. (⇒ 11.6)
- Міцно тримайте культиватор за ручки обома руками.
- Натисніть і утримуйте **чорний** важіль рушійного приводу (передній хід). (⇒ 8.2)
Привідний вал з установленими насадками починає обертатися так, що культиватор рухається вперед.

Вимкнення рушійного приводу (передній хід)

- Відпустіть важіль рушійного приводу (передній хід). (⇒ 8.2)
Привідний вал з установленими насадками зупиниться.

11.9 Увімкнення та вимкнення рушійного приводу (задній хід) (МН 445 R, МН 560, МН 585, МН 685)

Культиватори МН 445 R, МН 560, МН 585, МН 685 обладнано пристроєм заднього ходу.

Під час обробки ґрунту задній хід використовується виключно для легшого вивільнення культиватора, якщо він застряг. Задній хід не призначений для використання під час сапання.



Небезпека травмування!

Перш ніж увімкнути рушійний привід (задній хід), завжди необхідно стежити, щоб між користувачем і ручкою керування була достатня відстань.

Увімкнення рушійного приводу (задній хід)

- Транспоруйте культиватор на ділянку, яку потрібно обробити, з вимкненим двигуном внутрішнього згорання. (⇒ 13.1)
- Запустіть двигун внутрішнього згорання. (⇒ 11.6)
- Міцно тримайте культиватор за ручки обома руками.

- Натисніть і утримуйте **червоний** важіль рушійного приводу (задній хід). (⇒ 8.2)
Привідний вал з установленими насадками починає обертатися так, що культиватор рухається назад.

Вимкнення рушійного приводу (задній хід)

- Відпустіть важіль рушійного приводу (задній хід). (⇒ 8.2)
Привідний вал з установленими насадками зупиниться.

11.10 Сапання

Під час сапання насадки, обертаючись, розпушують ґрунт. Таким чином можна готувати ділянку для посіву, обробляти її й доглядати за рослинами.



Небезпека травмування!

Під час сапання культиватор необхідно переміщати тільки вперед.

Слідкуйте за перешкодами, які не можна переїжджати (наприклад, кам'яні плити на пішохідних доріжках).

- Транспоруйте культиватор на ділянку, яку потрібно обробити, з вимкненим двигуном внутрішнього згорання. (⇒ 13.1)
- Складіть ходову частину. (⇒ 11.4)
- Запустіть двигун внутрішнього згорання. (⇒ 11.6)
- Міцно тримайте культиватор обома руками за ручки та займіть надійне положення. Не виходьте з робочої зони користувача. (⇒ 10.1)

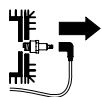
- Натисніть і утримуйте важіль рушійного приводу (передній хід). (⇒ 11.8)
Насадки для розпушування починають обертатися, тому можна розпочати процес сапання.
- Після завершення роботи вимкніть рушійний привід (⇒ 11.8), зупиніть двигун (⇒ 11.7) і почистьте прилад (⇒ 12.2).

12. Обслуговування



Стережіться травм!

Перед технічним обслуговуванням- і чищенням приладу необхідно уважно прочитати розділ «Техніка безпеки» (⇒ 4.), особливо підрозділ «Технічне обслуговування та ремонт» (⇒ 4.7), і точно дотримуватися всіх правил техніки безпеки.



Перед технічним обслуговуванням- і чищенням приладу завжди витягайте наконечник свічки!

12.1 Монтаж насадок для розпушування



Якщо біля коробки передач ослабити складаний шплінт, з приводного валу можна повністю зняти робочу деталь культиватора з дисками для захисту рослин. Під час монтажу насадок для розпушування дотримуйтеся даних із розділів «Монтаж насадок для розпушування» (⇒ 7.7), (⇒ 7.8) та «Комбінування насадок для розпушування» (⇒ 10.3).

- Прилад (двигун внутрішнього згорання, передача) має повністю охолонути.
- Поставте культиватор у положення для чищення. (⇒ 12.2)
- Демонтаж дисків для захисту рослин: зніміть запобіжну скобу складаного шплінта (1) й витягніть його. Зніміть диск для захисту рослин (2).
- Демонтаж насадок для розпушування: зніміть запобіжну скобу складаного шплінта (3) й витягніть його. Зніміть комплект насадок для розпушування (4).
- Зніміть захисне кільце (5) та зберігайте його в надійному місці – не загубіть!

12.2 Чищення приладу



Періодичність технічного обслуговування після кожного використання

- Після кожного використання увесь прилад необхідно ретельно почистити. Дбайливе поводження дає змогу захистити прилад і подовжити термін його використання.
- Перш ніж чистити прилад, дайте йому повністю охолонути, витягніть штекер свічки запалювання. Для чищення передачі й насадок для розпушування одягніть довгі рукавники й надійні захисні рукавиці.

Положення для чищення



Уникайте пошкодження приладу.

Ставте культиватор у положення, зображене на малюнку, лише на короткий час (на час чищення й технічного обслуговування). Під час зберігання прилад має стояти у вертикальному положенні.

- Розкладіть ходову частину. (⇒ 11.4)
- Установіть верхню частину ручки керування в найвище положення. (⇒ 11.2)
- Поставте культиватор на рівну та міцну поверхню.
- Нахиліть прилад назад, доки ручка керування не торкнеться ґрунту.

Указівки щодо чищення

- Для видалення забруднення та налиплих залишків використовуйте щітку, вологу ганчірку або дерев'яну паличку. Не використовуйте надто сильні засоби для чищення. Компанія STIHL рекомендує застосовувати спеціальні засоби для чищення (наприклад, спеціальний засіб для чищення STIHL).
- Заборонено мити ручку керування, деталі двигуна внутрішнього згорання, прокладки та підшипники струменем води під тиском. Це може призвести до пошкоджень, для виправлення яких знадобиться дорогий ремонт.
- **Двигун внутрішнього згорання:** Видаліть забруднення з ребер охолодження, робочого колеса вентилятора, повітряного фільтра, вихлопної труби тощо, щоб забезпечити достатнє охолодження двигуна внутрішнього згорання.
- **Коробку передач, шасі та культиваторний інструмент** можна почистити під високим тиском або за допомогою струменя води.



Уникайте пошкодження приладу.

Під час чищення під високим тиском необхідно дотримуватися відстані принаймні **1 м** і ніколи не спрямовувати струмінь води безпосередньо на підшипники, привідний вал і прокладки, зокрема на прокладку між коробкою передач і захисним піддашком.

12.3 Двигун внутрішнього згорання

Періодичність технічного обслуговування: перед кожним використанням

Перевірте рівень моторного мастила (див. Посібник з експлуатації двигуна внутрішнього згорання).

Дотримуйтеся інструкцій з експлуатації та технічного обслуговування, наведених у Посібнику з експлуатації двигуна внутрішнього згорання.

12.4 Періодичність технічного обслуговування



Уникайте пошкодження приладу.

Технічне обслуговування передачі повинен проводити виключно фахівець сервісної служби.

Технічне обслуговування від фахівців сервісної служби: щорічно при приватному користуванні

Культиватор повинен обслуговувати фахівець сервісної служби. Компанія STIHL рекомендує звертатися до офіційного дилера STIHL.

Технічне обслуговування самим користувачем

- **Перед кожним введенням в експлуатацію**
Перевірте рівень моторного мастила (див. Посібник з експлуатації двигуна внутрішнього згорання).
- **Після кожного використання**
Чищення приладу. (⇒ 12.2)

12.5 Зберігання та тривале зберігання (зимовий період)



Зберігайте культиватор у звичайному положенні (з розкладеною ходовою частиною). Для компактного зберігання складіть ручку керування назад, як показано на малюнку.



Небезпека перекидання!

За певного положення насадок для розпушування культиватор може перекинутися вперед. Тому необхідно завжди перевіряти надійність положення культиватора.

За потреби злегка закрутіть насадки для розпушування, щоб зменшити навантаження на передню частину приладу. Як варіант, на період зберігання культиватора встановіть опору під його ручку для транспортування.

Прилад слід зберігати в сухому закритому приміщенні без пилу. Подбайте про те, щоб до приладу не мали доступу діти.

Готуючи прилад до зберігання, слід повністю усунути можливі несправності. Прилад завжди має бути в надійному робочому стані. Усі гайки, болти та гвинти мають бути затягнуті. Замініть попереджувальні написи на приладі, які стерлись, перевірте всю машину на ознаки зносу та пошкоджень. Замініть зношені та пошкоджені деталі.

Ставлячи прилад на тривале зберігання (зимовий період), додатково дотримуйтеся наведених нижче правил.

- Ретельно почистьте всі зовнішні деталі приладу.

- Спорожніть паливний бак і карбюратор.
- Добре змажте рухомі компоненти приладу мастилом або жиром.
- Викрутіть свічку запалювання (див. Посібник з експлуатації двигуна внутрішнього згорання) і залийте через отвір приблизно 3 см³ моторного мастила у двигун внутрішнього згорання. Прокрутіть двигун внутрішнього згорання без свічки запалювання (потягніть за трос для запуску двигуна).



Небезпека загоряння!

Через можливість загоряння тримайте штекер свічки запалювання подалі від отвору для неї.

- Вкрутіть свічку запалювання назад (див. Посібник з експлуатації двигуна внутрішнього згорання).
- Замініть мастило (див. Посібник з експлуатації двигуна внутрішнього згорання).
- Закрийте двигун внутрішнього згорання та зберігайте прилад у звичайному положенні.

13. Транспортування

13.1 Транспортування культиватора



Небезпека травмування!

Дотримуйтеся відповідних правил, наведених у розділі «Техніка безпеки» (⇒ 4.), зокрема в підрозділі «Транспортування» (⇒ 4.4).

Перед транспортуванням вимкніть двигун внутрішнього згорання, витягніть штекер свічки запалювання й одягніть відповідний захисний одяг (захисне взуття, рукавиці, комбінезон, який закриває руки й ноги).

Враховуйте вагу приладу! (⇒ 18.)

1 Підняття або штовхання культиватора

- Установіть гальмівну шпору в найвище положення. (⇒ 11.5)
- Розкладіть ходову частину. (⇒ 11.4)
- Візьміться за обидва держакі (1) культиватора та нахиліть його назад, щоб прилад став на колеса для транспортування.
- Тягніть або штовхайте культиватор у повільному темпі. На гладкій рівній поверхні прилад потрібно штовхати, на нерівній його краще тягти.



Небезпека травмування!

Зважаючи на велику вагу приладу, потрібна надзвичайна обережність на сходах, виступах, похилих платформах та інших підвищеннях.

Потрібно завжди стояти вище приладу, щоб у випадку втрати контролю не потрапити під прилад. На виступах і сходах прилад слід штовхати вниз або тягнути вгору.

Прилад можна зіштовхнути або протягнути щонайбільше через 2–3 сходинки! Якщо сходинок більше, культиватор слід перенести з допомогою іншої особи.

2 Піднімання або перенесення культиватора

- Перевірте, чи міцно встановлено верхню частину ручки керування.
 - Піднімати або переносити культиватор необхідно принаймні вдвох, дотримуючись при цьому достатньої безпечної дистанції від насадок для розпушування.
- Точки тримання**
Держакі (1) та ручка для транспортування (2)

3 Транспортування культиватора на вантажній платформі

- Транспортуйте культиватор завжди у **вертикальному положенні**: на ходовій частині та насадках для розпушування. Ніколи не кладіть прилад на бік.
- Для забезпечення стійкості приладу розкладіть ходову частину (⇒ 11.4) та встановіть насадки для розпушування (⇒ 7.7), (⇒ 7.8).

- Щоб запобігти сповзанню культиватора, закріпіть його на вантажній платформі за допомогою тросів або ременів.

Точки кріплення

Вісь ходової частини (3) та вісь насадок для розпушування (4).

14. Захист довкілля



Упаковку, прилад і додаткове приладдя виготовлено з матеріалів, які підлягають переробці; їх слід належно утилізувати.

Екологічно правильна роздільна утилізація сприяє повторному використанню вторсировини. Тому, коли мине термін служби приладу, здайте його в пункт прийому вторсировини.

14.1 Утилізація

Завжди ретельно утилізуйте старе мастило (моторне мастило, мастило для приводу) і пальне.

Перед утилізацією зробіть двигун внутрішнього згорання непридатним до використання. Зніміть кабель запалювання, злийте пальне з бака й видаліть моторне мастило.

Небезпека травмування насадкою для розпушування!

Ніколи не залишайте несправний садовий культиватор без нагляду. Подбайте про те, щоб прилад і насадка для розпушування зберігались у недоступному для дітей місці.

15. Зведення зносу до мінімуму та запобігання пошкодженням

Важлива інформація про догляд і технічне обслуговування для продукції типу

Культиватори на бензиновому двигуні (STIHL МН)

Компанія STIHL не несе відповідальності за травмування людей і пошкодження майна, спричинені недотриманням наведених у посібнику з експлуатації вимог, у першу чергу інструкцій з експлуатації та обслуговування, а також правил техніки безпеки, або застосування недозволеного навісного обладнання і запасних частин.

Обов'язково дотримуйтеся наведених нижче інструкцій, щоб запобігти пошкодженням і надмірному зносу вашого приладу STIHL.

1. Швидкозношувані деталі

Окремі деталі приладів STIHL навіть за умови належної експлуатації зношуються. Їх, залежно від тривалості та способу використання, потрібно своєчасно замінювати.

Зокрема, до них належать :

- клинчастий ремінь;
- насадка для розпушування;
- гальмівна шпора.

2. Дотримання вимог, наведених у цьому посібнику з експлуатації

Під час експлуатації, технічного обслуговування та зберігання приладів STIHL необхідно ретельно виконувати наведені в цьому посібнику вказівки.

Відповідальність за всі пошкодження, які виникли в результаті недотримання інструкцій із техніки безпеки, експлуатації та техобслуговування, несе користувач.

Насамперед, ідеться про:

- використання приладу не за призначенням.
- використання не дозволених компанією STIHL видів палива (мастила, бензину й моторного мастила - див. посібник з експлуатації двигуна внутрішнього згорання);
- недозволені компанією STIHL зміни в конструкції приладу;
- використання не дозволеного компанією STIHL навісного обладнання, навісних пристроїв та ріжучого інструменту;
- використання приладу у спортивних заходах та інших змаганнях.
- пошкодження приладу в результаті експлуатації з дефектними компонентами.

3. Технічне обслуговування

Усі роботи, перелічені в розділі «Обслуговування», потрібно виконувати регулярно.

Якщо користувач не в змозі виконати необхідні роботи самостійно, йому слід звернутися до офіційного дилера.

Для технічного обслуговування та ремонту приладів компанія STIHL рекомендує звертатися до офіційного дилера STIHL.

Спеціалісти офіційних дилерських центрів STIHL регулярно проходять навчання та отримують технічний інструктаж.

У випадку невиконання робіт із техобслуговування можливі пошкодження приладу, відповідальність за які несе користувач.

Зокрема, ідеться про:

- корозію та інші пошкодження в результаті неправильного зберігання;
- пошкодження приладу через використання неякісних запчастин;
- пошкодження внаслідок несвоєчасного/недостатнього техобслуговування або виконання ремонту чи техобслуговування не в майстерні спеціалізованого сервісного центру.

16. Замінювані запчастини

Складаний шплінт (насадки для розпушування):
9396 021 3785

MH 445, MH 445 R

Внутрішня ліва робоча деталь культиватора (комплект):
6241 710 0200

Внутрішня права робоча деталь культиватора (комплект):
6241 710 0205

Зовнішня ліва робоча деталь культиватора (комплект):
6241 710 0210

Зовнішня права робоча деталь культиватора (комплект):
6241 710 0215

MH 560, MH 585, MH 685

Внутрішня ліва робоча деталь культиватора (комплект):
6241 710 0220

Внутрішня права робоча деталь культиватора (комплект):
6241 710 0225

MH 585, MH 685

Зовнішня ліва робоча деталь культиватора (комплект):
6242 710 0210

Зовнішня права робоча деталь культиватора (комплект):
6242 710 0215

17. Декларація виробника про відповідність стандартам ЄС

17.1 Культиватори STIHL MH 445.0, MH 445.0 R, MH 560.0, MH 585.0, MH 685.0

STIHL Tirol GmbH
Hans Peter Stihl-Straße 5
6336 Langkampfen (Лангкампфен)
Австрія

заявляє під власну відповідальність, що

- Тип конструкції: культиватор
- Марка: STIHL
- Тип: MH 445.0, MH 445.0 R, MH 560.0, MH 585.0, MH 685.0
- Серійний ідентифікатор: 6241

відповідає релевантним положенням Директив 2000/14/ЄС, 2006/42/ЄС, 2014/30/EU і 2011/65/EU, було розроблено та виготовлено відповідно

до версій зазначених нижче стандартів, чинних на дату виробництва: EN 709 та EN 14982 (якщо застосовно).

Назва й адреса партнерської організації:
TÜV Rheinland LGA Products GmbH
Tillystraße 2
90431 Nürnberg (Нюрнберг, Німеччина)

Вимірний і гарантований рівні звукової потужності було визначено відповідно до Директиви 2000/14/ЄС, Додатка VIII.

MH 445.0, MH 445.0 R

- Вимірний рівень звукової потужності: 92 дБ(A)
- Гарантований рівень звукової потужності: 93 дБ(A)

MH 560.0, MH 585.0

- Вимірний рівень звукової потужності: 91,3 дБ(A)
- Гарантований рівень звукової потужності: 93 дБ(A)

MH 685.0

- Вимірний рівень звукової потужності: 92,4 дБ(A)
- Гарантований рівень звукової потужності: 93 дБ(A)

Технічна документація зберігається в разі дозволу на експлуатацію приладу STIHL Tirol GmbH.

Рік випуску та серійний номер вказано на культиваторі.

Лангкампфен, 02.11.2020

STIHL Tirol GmbH

В. о.



Матіас Фляйшер, керівник відділу досліджень і розробки

В. о.



Свен Цімерман, керівник відділу якості

17.2 Знак відповідності

EAC Інформація щодо сертифікатів та заяв про відповідність вимогам EAC, які підтверджують виконання технічних Директив та вимог Митного Союзу є на сайтах www.stihl.ru/eac або її можна замовити по телефону у відповідному національному представництві STIHL.



Технічні Директиви та вимоги України виконуються.

17.3 Встановлена тривалість використання

Повна встановлена тривалість використання становить до 30 років.

Встановлена тривалість використання передбачає регулярне технічне обслуговування та догляд відповідно до вимог інструкції з використання.

17.4 Штаб-квартира STIHL

ANDREAS STIHL AG & Co. KG
Badstrasse 115
71336 Waiblingen
Німеччина

17.5 Дочірні компанії STIHL

РОСІЙСЬКА ФЕДЕРАЦІЯ

ООО «АНДРЕАС ШТИЛЬ МАРКЕТИНГ»
вул. Тамбовська, буд. 12, літ. В, офіс 52
192007 Санкт-Петербург, Росія
Гаряча лінія: +7 800 4444 180
E-mail: info@stihl.ru

УКРАЇНА

ТОВ «Андреас Штіль»
вул. Антонова 10, с. Чайки
08135 Київська обл., Україна
Телефон: +38 044 393-35-30
Факс: +380 044 393-35-70
E-mail: info@stihl.ua
www.stihl.ua
Гаряча лінія: +38 0800 501 930

17.6 Представники STIHL

БІЛАРУСЬ

Представництво
ANDREAS STIHL AG & Co. KG
вул. К. Цеткін, 51-11а
220004 Мінськ, Білорусь
Гаряча лінія: +375 17 200 23 76

КАЗАХСТАН

Представництво
ANDREAS STIHL AG & Co. KG
вул. Шагабутдінова, 125А, оф. 2
050026 Алмати, Казахстан
Гаряча лінія: +7 727 225 55 17

17.7 Імпортери STIHL

РОСІЙСЬКА ФЕДЕРАЦІЯ

ООО "ШТИЛЬ ЗЮДВЕСТ"
350000, Росийская Федерация,
г. Краснодар, ул. Западный обход, д.
36/1

ООО "ФЛАГМАН"
194292, Росийская Федерация,
г. Санкт-Петербург, 3-ий Верхний
переулок, д. 16 литер А, помещение 38

ООО "ПРОГРЕСС"
107113, Росийская Федерация,
г. Москва, ул. Маленковская, д. 32, стр.
2

ООО "АРНАУ"
236006, Росийская Федерация,
г. Калининград, Московский проспект, д.
253, офис 4

ООО "ИНКОР"
610030, Росийская Федерация,
г. Киров, ул. Павла Корчагина, д. 1Б

ООО "ОПТИМА"
620030, Росийская Федерация,
г. Екатеринбург, ул. Карьерная д. 2,
Помещение 1

ООО "ТЕХНОТОРГ"
660112, Российская Федерация,
г. Красноярск, ул. Парашютная, д. 15

ООО "ЛЕСОТЕХНИКА"
664540, Российская Федерация,
с. Хомутово, ул. Чапаева, д. 1, оф. 39

УКРАЇНА

ТОВ «Андреас Штіль»
вул. Антонова 10, с. Чайки
08135 Київська обл., Україна

БІЛОРУСЬ

ООО «ПИЛАКОС»
ул. Тимирязева 121/4 офис 6
220020 Минск, Беларусь

УП «Беллесэкспорт»
ул. Скрыганова 6.403
220073 Минск, Беларусь

КАЗАХСТАН

ИП «ВОРОНИНА Д.И.»
пр. Райымбека 312
050005 Алматы, Казахстан

КИРГИЗСТАН

ОСО «Муза»
ул. Киевская 107
720001 Бишкек, Киргизия

ВІРМЕНІЯ

ООО «ЮНИТУЛЗ»
ул. Г. Парпеци 22
0002 Ереван, Армения

18. Технічні характеристики

МН 445.0 / МН 445.0 R / МН 560.0 / МН 585.0 / МН 685.0

Серійний ідентифікатор	6241
Двигун внутрішнього згорання, конструкція	4-тактний двигун внутрішнього згорання
Пусковий пристрій	Трос
Відповідно до директиви 2000/14/ЕС: гарантований рівень звукової потужності, L_{WA}	
	93 dB(A)
МН 445.0 / МН 445.0 R	
Тип двигуна	B&S Series 550 EX OHV RS
Робочий об'єм	140 см ³
Номинальна потужність при номінальній частоті обертання	2,2 - 3100 кВт - об/хв
Паливний бак	0,8 л
Робочий механізм	4 робочі елементи, 2 диски для захисту рослин
Діаметр робочої деталі культиватора	30 см

МН 445.0 / МН 445.0 R

Робоча частота обертання робочої деталі культиватора при випробувальній швидкості	124 об/хв
Випробувальна швидкість обертання	3100 об/хв
Відповідно до директиви 2006/42/ЕС: рівень гучності на робочому місці, L_{pA}	
	80 dB(A)
Небезпека, K_{pA}	
	2 dB(A)
Параметри вібрації вказано відповідно до EN 12096: вимірне значення a_{hw}	
	5,50 м/с ²
Небезпека K_{hw}	
	2,20 м/с ²
Вимірювання відповідно до стандарту 20643	
Привід МН 445.0	1 передача переднього ходу
Привід МН 445.0 R	1 передача переднього ходу 1 передача заднього ходу
Вага	36 кг / 37 кг
МН 560.0/ МН 585.0	
Тип двигуна	Kohler HD675
Робочий об'єм	149 см ³
Номинальна потужність при номінальній частоті обертання	2,3 - 3000 кВт - об/хв
Паливний бак	1,4 л

МН 560.0/ МН 585.0

Робочий механізм
МН 560.0

2 робочі
елементи, 2
диски для
захисту рослин

Робочий механізм
МН 585.0

4 робочі
елементи, 2
диски для
захисту рослин

Діаметр робочої
деталі культиватора

32 см

Робоча частота
обертання робочої
деталі культиватора
при випробувальній
швидкості

120 об/хв

Випробувальна
швидкість
обертання

3000 об/хв

Відповідно до директиви 2006/42/ЕС:

рівень гучності на
робочому місці, L_{pA}

79 dB(A)

Небезпека, K_{pA}

2 dB(A)

Параметри вібрації вказано відповідно
до EN 12096:

вимірне значення

a_{hw} 5,00 m/c^2

Небезпека K_{hw} 2,50 m/c^2

Вимірювання відповідно до
стандарту 20643

Привід

1 передача
переднього
ходу
1 передача
заднього ходу

Вага

41 кг / 44 кг

МН 685.0

Тип двигуна

Kohler HD775

Робочий об'єм

173 cm^3

МН 685.0

Номінальна
потужність при
номінальній частоті
обертання

2,9 - 3200
кВт - об/хв

Паливний бак

1,4 л

Робочий механізм

4 робочі
елементи, 2
диски для
захисту рослин
32 см

Діаметр робочої
деталі культиватора

128 об/хв

Робоча частота
обертання робочої
деталі культиватора
при випробувальній
швидкості

Випробувальна
швидкість
обертання

3200 об/хв

Відповідно до директиви 2006/42/ЕС:

рівень гучності на
робочому місці, L_{pA}

80 dB(A)

Небезпека, K_{pA}

2 dB(A)

Параметри вібрації вказано відповідно
до EN 12096:

вимірне значення

a_{hw} 6,00 m/c^2

Небезпека K_{hw} 2,40 m/c^2

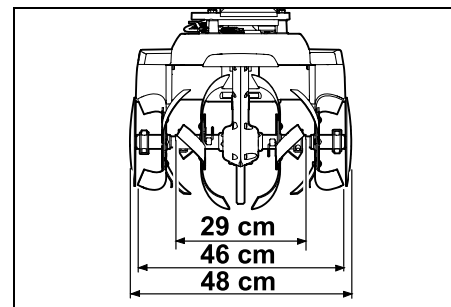
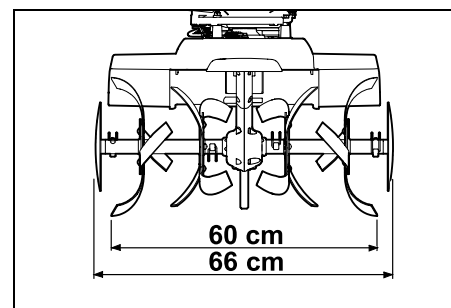
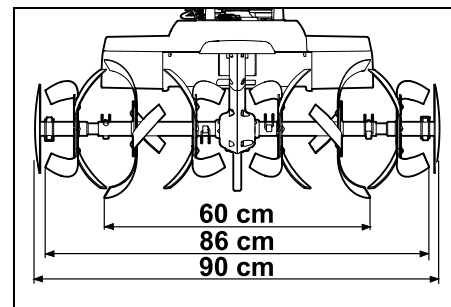
Вимірювання відповідно до
стандарту 20643

Привід

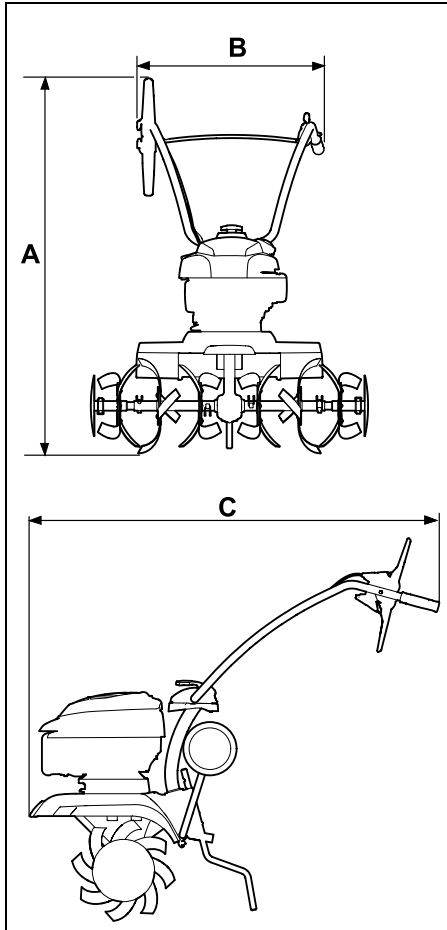
1 передача
переднього
ходу
1 передача
заднього ходу

Вага

46 кг

МН 445.0, МН 445.0 R:**МН 560.0:****МН 585.0, МН 685.0:**

МН 445.0, МН 445.0 R, МН 560.0,
МН 585.0, МН 685.0:



МН 445.0, МН 445.0 R:

A = 118 см

B = 57 см

C = 122 см

МН 560.0, МН 585.0, МН 685.0:

A = 119 см

B = 57 см

C = 122 см

18.1 REACH

REACH – це постанова ЄС про реєстрацію, оцінювання та допускання хімічних речовин.

Для отримання інформації про виконання постанови REACH (EG) № 1907/2006 перейдіть на веб-сторінку www.stihl.com/reach

19. Усунення несправностей

✂ Якщо вам потрібна кваліфікована допомога, рекомендуємо звернутися до офіційного дилера STIHL.

📖 Див. посібник з експлуатації двигуна внутрішнього згорання.

Несправність

Не запускається двигун внутрішнього згорання.

Можлива причина

- Важіль регулювання газу в положенні Stop.
- Немає пального в баку, забився паливопровід.
- Погане, забруднене або старе пальне в баку.
- Витягнуто штекер свічки запалювання, провід запалювання погано прикріплено до штекера.
- Обгорів ізолятор свічки запалювання або пошкоджена сама свічка; неправильна відстань між електродами.
- Забився повітряний фільтр.

- Двигун внутрішнього згорання «захлинувся» після кількох спроб запуску.

Усунення

- Переведіть важіль регулювання газу в положення Start (⇒ 8.1)
- Долейте пальне (⇒ 7.15); прочистьте паливопровід (✂)
- Використовуйте свіже фірмове паливо (неетилований бензин) (⇒ 7.15); прочистьте карбюратор (✂)
- Вставте штекер свічки запалювання (📖); перевірте з'єднання між проводом запалювання та штекером (✂)
- Прочистьте або замініть свічку запалювання (📖), (✂); відрегулюйте відстань між електродами (✂)
- Прочистьте або замініть повітряний фільтр (✂)
- Викрутіть і просушіть свічку запалювання, переведіть дросельний важіль у положення Stop і кілька разів протягніть трос для запуску двигуна, коли свічку викручено (📖)

Несправність

Двигун внутрішнього згорання важко запускається, або його потужність через деякий час зменшується.

Можлива причина

- У бак для пального або карбюратор потрапила вода; забився карбюратор.
- Забився бак.
- Забився повітряний фільтр.

- Обгорів ізолятор свічки запалювання.

Усунення

- Спорожніть бак, прочистьте паливопровід і карбюратор (✖)
- Прочистьте бак для пального (✖)
- Прочистьте або замініть повітряний фільтр (📖), (✖)
- Прочистьте або замініть свічку запалювання (📖), (✖)

Несправність

Двигун внутрішнього згорання дуже нагрівається.

Можлива причина

- Забруднились ребра охолодження.
- Низький рівень мастила у двигуні внутрішнього згорання.
- На поверхню двигуна внутрішнього згорання налип ґрунт.

Усунення

- Почистьте ребра охолодження (⇒ 12.2)
- Долийте моторне мастило (⇒ 7.15)
- Очистьте двигун внутрішнього згорання від ґрунту

Несправність

Двигун внутрішнього згорання працює нерівномірно.

Можлива причина

- Забився повітряний фільтр.

Усунення

- Прочистьте або замініть повітряний фільтр (📖), (✖)

Несправність

Інтенсивне виділення диму.

Можлива причина

- Зависокий рівень мастила.

- Забився повітряний фільтр.

Усунення

- Відкоригуйте кількість мастила (📖)
- Прочистьте або замініть повітряний фільтр (📖), (✖)

Несправність

Прилад сильно вібує під час роботи.

Можлива причина

- Ослабло кріплення двигуна.

Усунення

- Затягніть гвинти на кріпленні двигуна (✖)

Несправність

Знижена потужність.

Можлива причина

- Насадки для розпушування встановлено неправильно.
- Насадки для розпушування зносилися.
- Неправильно відрегульовано гальмівну шпору.

Усунення

- Правильно встановіть насадки для розпушування (⇒ 7.7), (⇒ 7.8)
- Замініть насадки для розпушування (✖)
- Відрегулюйте гальмівну шпору (⇒ 11.5)

Несправність

Слабка потужність.

Можлива причина

- На привідному валу немає складаного шплінта.

Усунення

- Контролюйте кріплення насадок для розпушування на привідному валу (⇒ 7.7), (⇒ 7.8)

Несправність

Значний шум передачі.

Можлива причина

- Неправильний рівень мастила в передачі.

Усунення

- Перевірте рівень мастила в передачі (✖)

Несправність

Привідний вал не обертається, коли задіяно важіль рушійного приводу.

Можлива причина

- Пошкоджений тросик.
- Зносився привідний пас.

Усунення

- Перевірте тросик або замініть його (✖)
- Замініть пас (✖)

20. План технічного обслуговування

20.1 Підтвердження передачі

Модель: _____

Серійний номер:

Дата:




Наступне обслуговування


Дата:

20.2 Підтвердження про надання технічного обслуговування



Під час технічного обслуговування надайте цей посібник з експлуатації офіційному дилеру STIHL. На заздалегідь надрукованих полях він зробить запис про проведення технічного обслуговування.

 Дата проведення обслуговування

 Дата проведення наступного обслуговування

Austatud klient!

Meil on hea meel, et otsustasite STIHLi kasuks. Me töötame välja ja valmistame oma tooteid tippkvaliteedis vastavalt klientide vajadustele. Nii tekivad ka äärmuslikul koormamisel kõrge töökindlusega tooted.

STIHL tähendab tippkvaliteeti ka teeninduses. Meie esindused tagavad kompetentse nõustamise, instrueerimise ja ulatusliku tehnilise toe.

Me täname Teid usalduse eest ja soovime Teile oma STIHLi toote meeldivat kasutamist.

Dr Nikolas Stihl

TÄHTIS! LUGEGE ENNE KASUTAMIST LÄBI JA HOIDKE ALLES.

1. Sisukord

Selles kasutusjuhendis	370
Üldine teave	370
Juhised selle kasutusjuhendi lugemiseks	370
Seadme kirjeldus	370
Ohutusnõuded	371
Üldine teave	371
Tankimine – bensiini käitlemine	372
Riietus ja varustus	372
Seadme transport	372
Enne töötamist	373
Töötamise ajal	374
Hooldus ja remont	375
Hoiulepanek pikemate tööpauside korral	376
Jäätmekäitlus	377
Sümbolite kirjeldus	377
Tarnekomplekt	377
Seadme töökorda seadmine	378
Paigaldamisjuhised	378
Rattaraami monteerimine	378
Piiriku paigaldamine	378
Juhtraua paigaldamine	379
Pöörake juhtraud lahti	379
Ohutusliistude paigaldamine	379
Freestera paigaldamine MH 445, MH 445 R	379
Freestera paigaldamine MH 445, MH 585, MH 685	380
Kaitseklaasi paigaldamine	381
Veojami hoova paigaldamine	381
Gaasitrossi paigaldamine	381
Gaasitrossi kinnitamine	381

Gaasi reguleerimistrossi paigaldamine	381
Trosside kinnitamine juhtraua külge	381
Käitusaine ja mootoriõli	382
Juhtelemendid	382
Gaasi reguleerimishoob	382
Veojami hoob	382
Turvaseadised	383
Veojami hoova lukustus	383
Kaitseseadised	383
Juhised töötamiseks	383
Kasutaja tööala	383
Seadme tööasend	383
Freestera kombinatsioonid	383
Ideaalne keha asend töötamisel	383
Seadme käivitamine	384
Ettevalmistavad meetmed	384
Juhtraua ülemise osa kõrguse reguleerimine	384
Juhtraua külgreguleerimine	384
Transpordiraami kokku- ja lahtilükkamine	384
Piiriku reguleerimine	384
Sisepõlemismootori käivitamine	384
Sisepõlemismootori seiskamine	385
Veojami (edaspidikäik) ühendamine ja lahutamine	385
Veojami (tagurpidikäik) ühendamine ja lahutamine (MH 445 R, MH 560, MH 585, MH 685)	385
Purustamine	385
Hooldus	385
Freestera eemaldamine	386
Seadme puhastamine	386
Sisepõlemismootor	386
Teenindusintervallid	386

Hoiule- ja seismapanek (talvepaus)	387
Transport	387
Mullafreesi transportimine	387
Keskkonnakaitse	388
Jäätmekäitlus	388
Kulumise minimeerimine ja kahjude vältimine	388
Tavalised varuosad	389
EL-i vastavusdeklaratsioon	389
Mullafrees STIHL MH 445.0, MH 445.0 R, MH 560.0, MH 585.0, MH 685.0	389
Tehnilised andmed	390
REACH	391
Törkeotsing	391
Teenindusplaan	393
Üleandmise kinnitus	393
Teeninduse kinnitus	393

2. Selles kasutusjuhendis

2.1 Üldine teave

See kasutusjuhend on tootja **originaalkasutusjuhend** EÜ direktiivi 2006/42/EC mõistes.

STIHL töötab pidevalt oma tootevaliku edasiarendamisega – seepärast jätame endale õiguse muuta tarnekomplektide kju, tehnikat ja varustust. Sellest tulenevalt ei ole selle brošüüri andmete ja jooniste alusel õigust esitada kahjunõudeid.

Selles kasutusjuhendis on võib-olla kirjeldatud ka mudeleid, mis igas riigis saadaval ei ole.

See kasutusjuhend on autoriõigusega kaitstud. Kõik õigused on reserveeritud, sh õigus paljundamisele, tõlkimisele ja elektrooniliste süsteemidega töötlemisele.

2.2 Juhised selle kasutusjuhendi lugemiseks

Pildid ja tekstid kirjeldavad kindlaid käsitsusvõtteid.

Selles kasutusjuhendis selgitatakse kõiki seadmel paiknevaid piltsümboliteid.

Vaatesuund

Vaatesuuna „**vasak**” või „**parem**” kasutamisel kasutusjuhendis: kasutaja seisab seadme taga ja vaatab sõidusuunas ettepoole.

Viide peatükile

Lisaselgitusteks viitavad nooled vastavale peatükile ja alapeatükile. Siin on näide, kuidas viidatakse peatükile: (⇒ 4.)

Tekstilõikude märgistamine

Kirjeldatud juhised võivad olla märgistatud nii, nagu on kujutatud alljärgnevates näidetes.

Käsitsusvõtted, mis nõuavad kasutaja sekkumist:

- keerake polt (1) kruvikeeraja abil välja, vajutage hooba (2) ...

Üldised loendid:

- toote kasutamine spordiüritustel või võistlustel

Eriti tähtsad tekstid

Eriti tähtsad tekstilõigud on tähistatud allpool kirjeldatud sümbolitega, et neid kasutusjuhendis eraldi esile tõsta.



Oht!

Õnnetuste ja raskete kehavigastuste oht inimestele. Nõutakse või keelatakse teatud kindlat käitumisviisi.



Hoiatus

Inimeste vigastamise oht! Teatud käitumine väldib võimalikke või tõenäolisi vigastusi.



Ettevaatust!

Kergeid vigastusi või materiaalselt kahju saab teatud käitumisviisiga vältida.



Märkus

Teave seadme paremaks kasutamiseks ja võimalike käsitsusvigade vältimiseks.

Tekstid koos pildiviidetega

Seadme kasutamist selgitavad pildid leiata kasutusjuhendi algusest.

Kaamerasümbol on pildilehekülgedel olevate piltide sidumiseks vastava tekstiosaga kasutusjuhendis.



3. Seadme kirjeldus



- 1 Veoajami hoob (edaspidikäik)
- 2 Juhtraua ülemine osa
- 3 Kinnitushoob
- 4 Starteri tross
- 5 Sisepõlemismootor
- 6 Süüteküünla pistik
- 7 Ohutusliist
- 8 Kaitseklaas
- 9 Freesterad

- 10 Kandesang
- 11 Ohutusliist
- 12 Transpordiraam
- 13 Piirik
- 14 Vabastushoob (transpordiraam)
- 15 Vabastuspolt (piirik)
- 16 Käepide
- 17 Gaasi reguleerimishoob
- 18 MH 445 R, MH 560, MH 585, MH 685: Veoajami hoob (tagurpidikäik)
- 19 Andmesilt masina numbriga

4. Ohutusnõuded

4.1 Üldine teave



Seadmega töötamisel tuleb kindlasti järgida õnnetuse ennetamise eeskirju.



Enne esmast kasutuselevõttu tuleb kogu kasutusjuhend tähelepanelikult läbi lugeda. Hoidke kasutusjuhend hilisemaks kasutamiseks hoolikalt alles.

Järgige käsitsemis- ja hooldusjuhiseid, mille leiata sisepõlemismootori kasutusjuhendist.

Need ettevaatusabinõud on teie turvalisuseks hädavajalikud, kuid see loend ei ole lõplik. Kasutage seadet arukalt ja vastutustundlikult ning mõelge sellele, et seadme kasutaja on vastutav teiste inimestega juhtuvate õnnetuste ja neile tekitatud varalise kahju eest.

Tutvuge juhtelementide ja juhtimisseadistega ning seadme kasutamisega. Kasutaja peab kindlasti oskama seadme tööseadmeid ja sisepõlemismootorit kiirelt peatada.

Seadet tohivad kasutada ainult isikud, kes on kasutusjuhendi läbi lugenud ja oskavad seadet kasutada. Enne esmast kasutuselevõttu peab kasutaja püüdma hankida asjatundlikku ja praktilist juhendust. Müüja või mõni teine asjatundja peab kasutajale selgitama, kuidas seadet ohutult kasutada.

Juhendamise ajal tuleb kasutajale selgitada, et seadmega töötamisel on vaja olla äärmiselt hoolikas ja keskendunud.

Ka selle seadme nõuetekohasel kasutamisel säilivad alati teatud jääkriskid.



Eluohulik lämbumise tõttu!

Lapsed võivad pakendiga mängides lämbuda. Ärge lubage lapsi pakendi lähedusse.

Seadet koos kõigi lisaseadmetega tohib anda või laenata ainult neile isikutele, kes on saanud kasutamiseks vajalikud juhised või tunnevad juba seda mudelit ja selle kasutamist. Kasutusjuhend kuulub seadme juurde ja see tuleb alati koos seadmega edasi anda.

Kasutage seadet vaid siis, kui olete välja puhanud ning heas füüsilises ja vaimses seisundis. Kui teie tervis pole korras, peaksite oma arstilt küsima, kas tohite seadmega töötada. Pärast alkoholi, narkootikumide või reaktsioonikiirust vähendavate ravimite tarvitamist ei tohi seadmega töötada.

Veenduge, et kasutaja on füüsiliselt, sensoorselt ja vaimselt võimeline seadet käitama ja sellega töötama. Kui kasutaja on füüsiliselt, sensoorselt või vaimselt

piiratud, võib kasutaja sellega töötada ainult järelevalve all või vastutava isiku juhendamisel.

Veenduge, et kasutaja oleks täisealine või saanud järelevalve all väljaõppe mingil kutsealal siseriiklike eeskirjade kohaselt.

Tähelepanu – õnnetusohu!

Mullafrees on mõeldud ainult selliseks maaharimiseks, mille eesmärgiks on taimede külv, istutamine või hooldamine. Seda tohib kasutada ainult kasutusjuhendis kirjeldatud tööks – väärkasutamine on keelatud! Sellest erinev kasutamine on keelatud ja võib olla ohtlik. Tagajärjeks vigastused või seadmekahjustused.

Kasutaja vigastusohu tõttu ei tohi mullafreesi kasutada järgmisteks töödeks (loend pole täielik):

- töö katuseaedades ja rõdukastides,
- puu- ja hekilõikmete hekseldamiseks ja peenestamiseks.

Seadmega ei tohi transportida esemeid, loomi ega inimesi, eriti lapsi.

Turvalisuse kaalutlustel on keelatud igasugune seadme muutmine (erand on STIHLi lubatud tarvikute ja lisaseadmete nõuetekohane paigaldamine) – see muudab garantii kehtetuks. Teavet lubatud lisatarvikute kohta saate oma STIHLi müügiesindusest.

Eriti on keelatud igasugune seadme muutmine, mis muudab sisepõlemismootori või elektrimootori võimsust või pöörlemiskiirust.

Seadme kasutamisel haljasaladel, parkides, spordiväljakutel, tänavate ääres ning põllu- ja metsamajanduslikes ettevõtetes tuleb olla eriti ettevaatlik.



Tähelepanu! Tervisekahjustuse oht

vibratsiooni tõttu! Liiga suur vibratsioonikoormus võib

põhjustada vereringe- või närvikahjustusi, eriti vereringehäirega inimestel. Pöörduge arsti poole, kui tekivad sümptomid, mis võivad olla põhjustatud vibratsioonist. Sümptomid, mis tekivad eelkõige sõrmedes, kätes või randmetes (mittetäielik loend):

- tundetus,
- valu,
- lihasnõrkus,
- naha värvuse muutumine,
- ebameeldiv sügelus.

Töötamise ajal hoidke juhtrauast kahe käega ette nähtud kohtadest kinni, aga mitte kramplikult.

Tööaega plaanides vältige pikema aja vältel mõjuvaid suuri koormusi.

Tehke mullafreesi kasutamisel pause ja vältige seadme pikaajalist järjest kasutamist, kuna kauakestvad vibratsioonid on tervisele kahjulikud.

4.2 Tankimine – bensiini käitlemine



Eluohlik!

Bensiin on mürgine ja kergsüttiv.

Hoidke bensiini ainult selleks ette nähtud ja kontrollitud mahutites (kanistrites).

Sulgege paagi ja kanistri kork alati nõuetekohaselt ja keerake kõvasti kinni. Katkised korgid tuleb turvalisuse kaalutlustel välja vahetada.

Ärge kunagi kasutage joogipudeleid vms töövedelike, nt käitusaine, hoidmiseks või jäätmekäitlusse suunamiseks. See võib inimesi, eriti lapsi, eksitada ja nad võivad nendest juua.



Hoidke bensiin eemal lahtisest tulest, püsileegist, soojusallikatest ja teistest süüteallikatest. Ärge suitsetage!

Tankige ainult vabas õhus ja ärge tankimise ajal suitsetage.

Enne tankimist lülitage sisepõlemismootor välja ja laske jahtuda.

Bensiini tuleb lisada enne sisepõlemismootori käivitamist. Kui sisepõlemismootor töötab või seade on kuum, ei tohi paagi korki avada ega bensiini juurde valada.

Ärge täitke käitusainepaaki üle!

Selleks et käitusainepaagis oleks käitusainel ruumi paisuda, ärge kunagi täitke käitusainepaaki üle alumise täiteserva.

Peale selle jälgige kasutusjuhendi andmeid sisepõlemismootori puhastamise kohta.

Kui bensiini läks maha, tehke bensiiniga määrduvad pinnad enne sisepõlemismootori käivitamist puhtaks. Ärge keerake süüdet enne, kui bensiiniaurud on haihtunud (pühkige kuivaks).

Mahaläinud käitusaine tuleb alati ära pühkida.

Kui bensiini on läinud riidele, siis tuleb need ära vahetada.



Ärge kunagi hoidke seadet hoones, kui paagis on bensiini. Eralduvad bensiiniaurud võivad puutuda kokku lahtise tule või sädemetega ning süttida.

Kui paaki on vaja tühjendada, tuleb seda teha vabas õhus.

4.3 Riietus ja varustus



Töötamise ajal tuleb alati kanda kinniseid, sügava mustriga jalatseid. Ärge kunagi töötage paljajalu ega näiteks sandaalides.



Kandke seadme hooldus- ja puhastustööde ning transportimise ajal alati lisaks ka kinniseid jalanõusid ning siduge lahtised juuksed kokku ja kaitske neid nt pearäti, mütsi või muu seesugusega.



Kandke seadmega töötamisel praktilist ja liubuvat riietust, nt kombinesooni, mitte töömantlit. Seadmega töötamisel ei tohi kanda salli, lipsu, ehteid, rippuvaid nõore või paelu ega muid lohvakaid riideid.

Juuksed, riided või riideosad võivad puudutada pöörlevaid masinaosasid või nendesse kinni jääda. Tagajärjeks võivad olla tõsised vigastused.

4.4 Seadme transport

Töötage alati kinnastega, et vältida teravate ja kuumade masinaosadega enda vigastamist.

Ärge transportige töötava sisepõlemismootoriga seadet. Lülitage enne transportimist sisepõlemismootor välja, laske tööseadmetel seiskuda ja tõmmake süüteküünla pistik välja.

Transportige seadet ainult jahtunud sisepõlemismootoriga ja ilma käitusaineta.

Järgige andmeid peatükis „Transport”. Seal on kirjeldatud, kuidas seadet tõsta või kinni siduda. (⇒ 13.)

Kandke seadet alati kahekesi – kasutage sobivaid kinnihoidmiskohtasid.

Kasutage seadme pealelaadimisel sobivaid abivahendeid (rampe, tõsteseadmeid).

Ohutuspõhjustel ei tohi transportimisel ja laadimisel, eriti aga rampide kasutamisel, ületada 15° kaldenurka.

Kinnitage seade ja koos sellega transporditavad seadme osad laadimispinna peale hulgakinnitustahvelditega (rihmad, trossid jne). Seadet ei tohi mingil juhul kinnitamata transportida.

STIHL soovib transportida mullafreesi ainult sobiva haagisega või sobival laadimisalusel ja mitte sõiduki sees (nt pagasiruumis).

Seadme transportimisel järgige kohalikke eeskirju, eelkõige neid, mis puudutavad laadimisalustele paigutatud seadmete ja esemete transportimist.

4.5 Enne töötamist

Tuleb tagada, et seadmega töötavad vaid isikud, kes kasutusjuhendit tunnevad.

Enne seadme kasutuselevõttu kontrollige, et käitusainesüsteemis ei oleks lekkeid, eelkõige nähtavate osade juures, näiteks paak, paagikork, voolikuühendused. Lekete või kahjustuse korral ei tohi sisepõlemismootorit käivitada – **tuleoht!**

Laske seade enne uuesti kasutuselevõtmist müügiesinduses ära parandada.

Järgige sisepõlemismootoriga töötavate aiatööriistade kasutamisel kommunaaleeskirjades lubatud tööaegu.

Kontrollige kogu maa-ala, kus masinat kasutama hakatakse, ja eemaldage kõik suured kivid, kaikad, traadid, kondid ja muud võõrkehad, mis võivad masina alt üles paiskuda.

Pinnases leiduvad esemed (vihmutid, postid, veekraanid, vundamendid, elektriablid jne) peavad olema enne seadmega töötamist selgelt märgistatud ja nendest tuleb mööda sõita. Ärge kunagi sõitke üle selliste objektide.

Enne seadme kasutamist tuleb kõik kulunud ja defektsed osad välja vahetada. Asendage seadmepoolsetes osades kulunud või kahjustatud ohu- ja hoiatussildid uutega. Teile lähimas STIHLi müügiesinduses on saadaval varuklepsud ja kõik muud varuosad.

Enne seadme kasutamist kontrollige süüteküünla pistiku tugevat ja kindlat asetust.

Seadet tohib kasutada vaid töökorras olekus. Alati enne kasutamist kontrollige,

- kas kogu seade on nõuetekohaselt kokkumonteeritud;
- kas turvaseadmed (nt veoajami hoob, ohutusliistud, kaitsed, kaitsekatted, juhtraud, kaitsevõre) on laitmatus seisukorras ning nõuetekohaselt funktsioneerivad. Seadet ei tohi mitte mingil juhul kasutada, kui turvaseadmed puuduvad, on kahjustatud või kulunud.

- kas tööseadmed (freesterad) ja kinnituspõlendid, splindid on olemas, kulumata ning terved (puuduvad sälgud ja praod). Vahetage kulunud või kahjustatud osad välja.
- kas tööseadmed (freesterad) on kindlalt ja tugevalt monteeritud;
- kas veoajami hoovad töötavad ja liiguvad raskusteta;
- kas paagikaas on nõuetekohaselt peale keeratud;
- kas paak ja kütusega kokkupuutuvad osad ning paagikaas on laitmatus seisukorras;
- kas õlipaagi kinnituspolts on nõuetekohaselt peale keeratud;
- kas kõik kasutatud tarvikud on täielikult ja nõuetekohaselt seadme külge monteeritud. Kõik tarvikute tarnekomplekti kuuluvad komponendid tuleb paigaldada või ära kasutada.

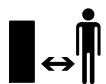
Tehke kõik vajalikud tööd või pöörduge müügiesindusse. STIHL soovib ettevõtte STIHL müügiesindust.

Vasak- ja parempoolsed ohutusliistud on seatud vastava töölaiega sobivaks ja peavad alati nõuetekohaselt paigaldatud olema. Kui mudelite MH 445 ja MH 445 R puhul muutub töölaie lisafreesterade (STIHLi tarvikud) tõttu laiemaks, tuleb paigaldada ka suuremad ohutusliistud (tarvikute tarnekomplekt).

Lükake või tõmmake seade transpordirataste abil töödeldava pinnase juurde.

Eemaldage enne kasutuselevõttu kõik seadmepoolsetes osades leiduvad esemed (tööriistad, lapid jne).

4.6 Töötamise ajal



Hoidke kolmandad isikud ohutsoonist eemal! Ärge töötage seadmega, kui ohupiirkonnas on loomi või inimesi (eriti lapsi).

Tähelepanu! – Töö ajal paiksub seadme alt üles ja külgedele mulda, kive jms.

Seadet tohib korraga kasutada ainult üks isik. Sisepõlemismootori töötamise ajal peab kasutaja viibima tööalas. (⇒ 10.1)

Seadet ei tohi töö ajal mingil juhul transpordipidemest, kaitseplekist või muudest seadmeosadest (välja arvatud juhtraua käepidemed) tõsta, lükata või tõmmata – eriti ka mitte teisi isiku poolt.

Seadmele paigaldatud lülitus- ja kaitseadiseid ei tohi eemaldada ega mittetoimivaks muuta. Elukõige on keelatud veoajami hooba kinnitada juhtraua ülemise osa külge (nt kinni siduda).



Tähelepanu – vigastusoht!

Ärge pange käsi ega jalgu pöörlevate detailide juurde ega alla. Hoidke alati juhtraua abil reguleeritud ettenähtud ohutut vahet. Ohutu kaugus vastab nõuetekohaselt paigaldatud ja lahtiklapitud juhtraua pikkusele – juhtrauda ei tohi muuta ja seadme kasutamist ei tohi kunagi alustada ümberpööratud juhtrauaga.

Ärge kunagi kinnitage esemeid (nt tööriideid) juhtraua külge.

Töötage vaid päevavalges või hea tehisvalgustusega.

Ärge töötage seadmega vihma ja äikese ajal ning eriti siis, kui valitseb pikselöögihoht.

Märjal pinnal suureneb õnnetuste oht (oksapurusti halvem seisukindlus). Tuleb töötada eriti ettevaatlikult, et vältida libisemahakkamist. Võimalusel vältige seadme kasutamist märjal pinnal.

Paigaldatud freesteradega seadet ei tohi käivitada asfaldil, plaaditud pinnal vms.

Kasutage seadet eriti ettevaatlikult, kui töötate kallakute, astangute, kraavide ja tiikide lähedal. Hoidke selliste ohtlike kohtadega piisavat vahet.

Heitgaasid



Mürgistuse tõttu eluohtlik!

Lõpetage kohe töö, kui teil esineb iiveldust, peavalu, nägemishäireid (nt ahenev vaateväli), kuulmishäireid, peeringlust, vähenenud keskendumisvõimet. Need sümptomid võivad olla põhjustatud muuhulgas liiga kõrgest heitgaasikontsentratsioonist.



Seade hakkab mürgiseid heitgaase eraldama kohe, kui sisepõlemismootor käivitub. Need gaasid sisaldavad vesinikmonoksiidi – mürgist, värvitut ja lõhnatut gaasi – ning teisi kahjulikke aineid. Sisepõlemismootorit ei tohi kunagi käivitada kinnistes või halva ventilatsiooniga ruumides.

Arvestage heitgaaside väljalasketorust väljumise suunaga. Väljalasketoru ei tohi suunata inimeste poole.

Käivitamine

Käivitage seade ettevaatlikult, järgides juhiseid peatükis „Seadme kasutuselevõtt” (⇒ 11.). Juhiste järgi käivitamine vähendab vigastamisohtu.

Vigastusoht!

Kui starteri tross lööb kiiresti tagasi, tõmmatakse käsi ja käevars kiiremini sisepõlemismootorini, kui on võimalik starteri trossi lahti lasta. See tagasilööök võib põhjustada luumurde, muljumisi ja nikastusi.

Jälgige, et vahe jalgade ja tööseadmete vahel oleks piisavalt suur.

Käivitamisel ei tohi seadet kallutada.

Käivitamisel ei tohi veoajami hoobasid kasutada.

Töötamine kallakutel

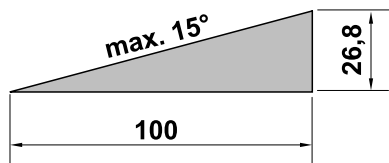
Töödelge kallakuid alati ristisuunas, mitte kunagi aga pikisuunas. Kallakul ei tohi kasutaja olla mitte kunagi töötava seadme all. Kontrolli kaotamisel võib ta seadme alla jääda.

Olge eriti ettevaatlik kallakul sõidusuunda muutes.

Kallakutel töötades jälgige, et teil oleks kindel jalgealune, ja vältige seadmega töötamist liiga järskudel kallakutel.

Seade võib kallakutel töötamisel ümber kukkuda. Turvalisuse kaalutlustel ei tohi masinat kasutada üle 15° (26,8 %)

tõusunurgaga kallakutel. **Vigastusoh!**
15° kaldenurk vastab vertikaalsele tõusule
26,8 cm 100 cm horisontaalpikkuse puhul.



Sisepõlemismootori piisava õlitamise tagamiseks tuleb seadme kasutamisel kallakul kindlasti järgida sisepõlemismootoriga kaasasolevas kasutusjuhendis toodud andmeid.

Töötamine



Vigastusoh!

Ärge pange käsi ega jalgu kunagi pöörlevate detailide peale, alla või juurde.

Kasutage seadet ohutuse tagamiseks alati mõlema käega – mõlemad käed peavad töö ajal olema juhtraua käepidemel. Ärge töötage ühe käega.

Kasutage töösügavuse reguleerimiseks ainult piirikule surumist.

Kasutage seadet raskesti töödeldaval pinnasel (nt kivine või kõva pinnas) eriti ettevaatlikult – piirake tööseadmete pöörlemiskiirust (gaasi reguleerimine).

Juhtige seadet alati kõndimistempos – seadmega töötades ei tohi kunagi joosta. Seadme kiirel lükkamisel suureneb vigastusoh komistamise, libisemise vms tõttu.

Tähelepanu – vigastusoh!

Olge eriti ettevaatlik ja jätke eriti just tööseadmete (freesterade) ja jalgade vahele piisav vahe, kui pöörate seadet ümber, tõmbate endale lähemale või kasutate tagasikäiku.

Tähelepanu – komistamisoh!

Seadmega tagurpidi liikudes arvestage enda taga olevate takistustega.

Kui seade on kinni jäänud, seisake sisepõlemismootor ja tõmmake süüteküünla pistik välja. Tõstke seade teise isiku abiga üles ja vabastage.

Lülitage sisepõlemismootor välja,

- kui peate masinat transportimiseks kallutama;
- kui lükkate masinat töödeldavale pinnale või tõmbate sealt ära;
- enne masina juurest lahkumist või selle järelevalveta jätmist;
- enne kui tankima hakkate. Tankige vaid siis, kui sisepõlemismootor on jahtunud. **Tuleoh!**
- kui lükkate masinat mittetöödeldavale pinnale või tõmbate sealt ära.

Seisake sisepõlemismootor ja tõmmake süüteküünla pistik välja järgmistel puhkudel:

- enne ummistuse kõrvaldamist;
- enne seadme tõstmist või kandmist;
- enne seadme transportimist;
- enne seadme kontrollimist, puhastamist või selle juures muude tööde tegemist (nt juhtraua reguleerimine, transpordiraami lahtilükkamine);
- kui seade on sattunud võõrkehale või hakkab ebatavaliselt tugevalt vibreerima. Kontrollige sellisel juhul, ega masin, eriti aga tööseadmed (freesterad, freesterade kinnitused, ajamivõll) pole kahjustatud ja tehke vajalikud remonttööd, enne kui käivitate seadme uuesti ja alustate sellega töötamist.



Vigastusoh!

Tugev vibreerimine viitab harilikult rikkele.

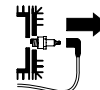
Mullafreesi ei tohi mingil juhul kasutada, kui ajamivõll või tööseade on kahjustatud või kõveraks paindunud.

Kui teil puuduvad vajalikud teadmised, laske vajalikud remonditööd teha spetsialistil – STIHL soovib STIHLi müügiesindust.

4.7 Hooldus ja remont

Enne puhastamist-, paigaldus-, parandus- ja hooldustöid.

- Jätke seade seisma tasasele ja kõvale aluspinnale.
- Lülitage sisepõlemismootor välja ja laske sellel jahtuda.
- Tõmmake süüteküünla pistik välja.



Tähelepanu – vigastusoh!

Hoidke süüteküünla pistik süüteküünlast eemal, kuna juhuslik säde võib põhjustada tulekahju või elektrilöögi. Süüteküünla ja süüteküünlapistiku tahtmatu kontakt võib põhjustada soovimatu sisepõlemismootori käivitamise.

Kallutage seadet puhastus- või hooldustöödeks ainult tahapoole. Seadme küljele või ettepoole kallutamine võib kahjustada sisepõlemismootorit ja muid seadmeosi sellisel moel, et nende remontimine läheb väga kulukaks.

Enne hooldustööde alustamist ülekande, sisepõlemismootori, väljalasketoru ja mürasummuti juures laske seadmel jahtuda. Siin võivad tekkida temperatuurid 80 °C ja üle selle. **Põletusoh!**

Otsene kokkupuude mootoriõliga võib olla ohtlik, mootoriõli ei tohi ka maha loksuda. STIHL soovib lasta mootoriõli lisada või õlivahetust teha ettevõtte STIHL müügiesinduses.

Kontrollige kogu seadet regulaarselt, eriti aga seadme seismapanemisel enne pikemat tööpauzi (talv), et ei esineks kulumist ja kahjustusi. Vahetage kulunud või kahjustatud osad ohutustehnilistel põhjustel kohe välja, et seade oleks alati ohutu ja töökorras.

Puhastamine

Pärast kasutamist puhastage kogu seadet hoolikalt. (⇒ 12.2)

Lükake kinnijäänud jäägid puupulgaga lahti. Puhastage seadme alumist poolt harja ja veega.

Ärge kasutage agressiivseid puhastusvahendeid. Sellised puhastusvahendid võivad kahjustada plast- ja metalloosi ning vähendada STIHLi seadme töökindlust.

Seadme alumist külge (kõiki osi, mis jäävad kaitsepleki alla) tohib puhastada kõrgsurvepuhastiga või aurupuhastiga. Olge vähemalt 1 m kaugusel ja ärge suunake veejuga mitte mingil juhul otse laagritele ega tihenditele – eriti aga mitte tihendile ülekande korpuse ja kaitsepleki vahel.

Tuleohu vältimiseks hoidke jahutusõhuavade, jahutusribide ja väljalasketoru piirkond murust, heinakõrtest, samblast, lehtedest või väljatilkuvast õlist (määrdest) puhtad.

Hooldustööd

Teostada tohib vaid selles kasutusjuhendis kirjeldatud hooldustöid, kõik muud tööd laske teha müügiesinduses.

Kui teil puuduvad vajalikud teadmised ja abivahendid, pöörduge **alati** müügiesindusse.

STIHL soovib lasta hooldustöid ja remonti teha ainult STIHLi müügiesinduses.

STIHLi müügiesinduste töötajaid koolitatakse regulaarselt ja nende käsutuses on tehniline teave.

Kasutage ainult tööriistu, tarvikuid ja lisaseadmeid, mille on STIHL selle seadme jaoks lubanud, või tehniliselt samaväärseid osi, muidu võib tekkida inimeste vigastamise või seadme kahjustamise oht. Küsimuste korral pöörduge müügiesindusse.

STIHLi originaaltööriistad, -tarvikud ja -varuosad on oma omadustelt optimaalselt seadme ning kasutaja nõudmistega kooskõlastatud. STIHLi originaalvaruosi võib ära tunda STIHLi varuosanumbri järgi, kirjast STIHL ning vajaduse korral ka STIHLi varuosamärgistusest. Väikestel detailidel võib olla ka ainult märgistus.

Turvalisuse kaalutlustel tuleb kütust juhtivaid detaile (käitusainevoolikut, käitusainekraani, käitusainepaaki, paagikorki, ühendusi jne) korrapäraselt kahjustuste ja lekete suhtes kontrollida ning vajaduse korral spetsialistil välja vahetada (STIHL soovib ettevõtte STIHL müügiesindust).

Hoidke hoiatuste ja juhistega kleepsud alati puhtad ning loetavad. Kahjustatud või kaduma läinud kleepsud tuleb asendada uute originaalsiltidega STIHLi

müügiesindusest. Kui mõni detail asendatakse uuega, jälgige, et uus osa saaks samasuguse klepsu.

Et seade oleks turvalises töökorras, hoolitsege, et kõik mutrid, poldid ja kruvid oleksid korralikult kinni.

Ärge kunagi muutke sisepõlemismootori standardseadistust ega keerake seda üle.

Kui hooldustööde ajaks eemaldati detaile või kaitseadiseid, siis tuleb need kohe nõuetekohaselt tagasi panna.

Tööseadmete (freesterade) vahetamisel on oluline arvestada freesterade tüübi ja kombinatsiooniga – lubatud on ainult STIHLi kinnitusega variandid.

4.8 Hoiulepanek pikemate tööpauside korral

Enne kui seadme kinnisesse ruumi paigutate, laske sisepõlemismootoril maha jahtuda.

Hoidke tühjendatud käitusaine paagiga seadet ja käitusainevaru lukustatavas ja hästi õhustatavas ruumis.

Tagage, et seade oleks kaitstud volitamata kasutuse eest (nt lapsed).

Ärge kunagi hoidke seadet hoones, kui paagis on bensiini. Eralduvad bensiiniaurud võivad puutuda kokku lahtise tule või sädemetega ning süttida.

Kui paaki tuleb tühjendada, nt seismapanekuks enne talvepauzi, tohib kütusepaaki ainult vabas õhus tühjendada (nt lastes sisepõlemismootoril töötada).

Seade tuleb enne hoiulepanekut (nt talvepauzi) põhjalikult puhastada.

Seadme hoiulepanekul peab olema süüteküünla pistik välja tõmmatud.

Hoidke seadet töökorras.

Laske seadmel täielikult jahtuda, enne kui selle kinni katate.

4.9 Jäätmekäitlus

Kõik jääkproduktid, nagu vanaõli ja käitusaine, kasutatud määrdeained, filtrid, akud ja muud sellised kuluosad võivad inimesi, loomi ja keskkonda kahjustada ning tuleb nõuetekohaselt jäätmekäitlusse anda.

Pöörduge oma jäätmekäitluskeskuse poole või oma müügiesindusse, et teada saada, kuidas jäätmeid nõuetekohaselt käidelda. STIHL soovib ettevõtte STIHL müügiesindust.

Tagage, et oma aja ära elanud seade antakse nõuetekohaselt vastavasse jäätmekäitlusse. Järgige andmeid peatükis „Keskkonnakaitse”. (⇒ 14.)

5. Sümbolite kirjeldus



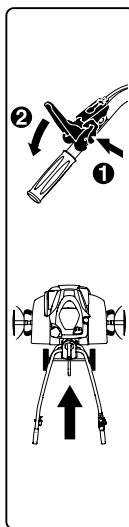
Tähelepanu! – Vigastusohut!

Enne kasutuselevõttu tuleb lugeda kasutusjuhendit ja ohutuseeskirju ning neid järgida.

Pöörlevad seadised: ärge pange käsi ega jalgu pöörlevate seadiste lähedale. Kasutage masinat ainult kaitsekatetega.

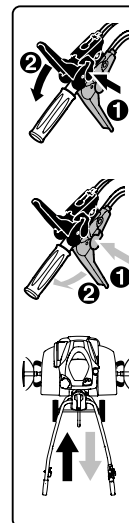
Hoidke ohutut vahet.

Tõmmake enne hooldus- ja puhastustöid süüteküünla pistik välja.



MH 445:

Enne veoajami hoova kasutamist tuleb turvalisuse kaalutlustel vajutada vabastushooba. See vältib veoajami hoova juhusliku kasutamise.



MH 445 R, MH 560, MH 585, MH 685:

Enne veoajami hoova kasutamist tuleb turvalisuse kaalutlustel vajutada kõigepealt vastavat vabastushooba. See vältib mõne veoajami hoova juhusliku kasutamise. Must veoajami hoob on mõeldud edaspidikäigu, punane veoajami hoob tagurpidikäigu jaoks.



Põletusohut!

Ärge puudutage kuumi pindu. Ülekande korpus kuumeneb.

6. Tarnekomplekt



Pos.	Nimetus	Tk
A	Põhiseade	1
B	Juhtraud	1
C	kinnitushoob	1
D	Transpordiraam	1
E	Piirik	1
F	Vasakpoolne ohutusliist	1
G	Parempoolne ohutusliist	1

Pos.	Nimetus	Tk
H	MH 445, MH 445 R: Freestera	4
I	MH 560, MH 585, MH 685: Kahekordne freestera	2
J	MH 585, MH 685: Ühekordne freestera	2
K	Kaitserõngas	2
L	Kaitseklaas	2
M	Veojami hoob (edaspidikäik) must	1
N	MH 445 R, MH 560, MH 585, MH 685: Veojami hoob (tagurpidikäik) punane	1
O	MH 445: Kaitsemutter M6	1
P	MH 445: Kate	1
Q	Kaitsemutter M6	1
R	Kumerpeaga polt M6	1
S	MH 445, MH 445 R, MH 585, MH 685: Splint 10 x 40	6
	MH 560: Splint 10 x 40	4
T	Kumerpeaga polt M8	2
U	Kuuskantmutter M8	2
V	Juhtmekõidis	2
–	Kasutusjuhend	1
–	Kasutusjuhend Sisepõlemismootor	1
–	MH 560, MH 585, MH 685: Süüteküünlavõti	1

7. Seadme töökorda seadmine

7.1 Paigaldamisjuhised



Vigastusohut!

Järgige peatükis „Ohutusnõuded” toodud ohutusjuhiseid. (⇒ 4.) Eriti oluline on süüteküünla pistiku äratõmbamine ja kõikide freesteradega seotud tööde ajal tugevate kinnaste kandmine.

Arvestage pöördemomentidega!

Paigaldage ning ühendage gaasitrossid ja gaasi reguleerimistross ainult kirjelduse järgi.

Valesti paigaldatud trossid (nt vale paigaldus või vale veojami hoovaga ühendamine) võivad põhjustada häireid töös.

- Tehke kõiki kirjeldatud töid puhtal, horisontaalselt, tasasel ja tugeval pinnal.
- Arvestage paigaldusasendiga – seade peab asetsema alati stabiilselt ja turvaliselt.
- Järgige trossi paigaldamisjuhiseid täpselt, eriti just trosside kinnitamisel **juhtmekõidiste** abil juhtraua külge, et vältida seadme kahjustamist (nt juhtraua ümberpööramise) või võimalikke tööhäireid.

Veojami hoob, gaasitrossid

MH 445:

- Must veojami hoob juhtraua ülemisel osal.
- Üks gaasitross (edaspidikäik).

MH 445 R, MH 560, MH 585, MH 685:

- Must veojami hoob juhtraua ülemisel osal.
- Punane veojami hoob juhtraua alumisel osal.
- Üks gaasitross (edaspidikäik). Trossil on **must kork** ja tuleb ühendada musta veojami hoovaga.
- Üks gaasitross (tagurpidikäik). Trossil on **punane kork** ja tuleb ühendada punase veojami hoovaga.

7.2 Rattaraami monteerimine



- Paigaldusasend Keerake põhiseade (A), nagu joonisel näidatud, ettepoole ümber ja asetage stabiliseerimiseks mõlema ajamivõlli alla sobivad puidust toed (1) (kõrgus 50 - 60 mm, laius/pikkus u 100 mm).
- **1** Lükake kinnitusklamber (2) üles ja hoidke.
- **2** Lükake transpordiraam (D) vabastushoova (4) poldil olevasse avasse (3).
- Vajutage transpordiraami (D) kuni piirdeni üles ja hoidke.
- **3** Vajutage kinnitusklamber (2) alla. Lükake poldid (T) mõlemal pool alt sisse.
- **4** Kinnitusklambri (2) kinnitamiseks keerake kaks mutrit (U) sisse.

7.3 Piiriku paigaldamine



- Paigaldusasend Vt „Rattaraami monteerimine” (⇒ 7.2)

- Vajutage vabastuspolti (1) ja hoidke selles asendis.
- Asetage piirik (E) alt adapterisse (2) ja lükake kuni piirdeni üles.
- Laske vabastuspolt (1) lahti ja tõmmake piirikut (E) alla, kuni see fikseerub.
- Kontrollige, kas piirik (E) asetseb kindlalt.

7.4 Juhtraua paigaldamine



- **1** Paigaldusasend: vt „Rattaraami monteerimine“ (⇒ 7.2)
- Kummilindi (1) eemaldamine.
- **2** Tõstke konsooli (2) veidi üles ja hoidke.
- **3** Hoidke juhtrauda (B) tsentraalselt konsooli (2) ja juhtraua alumise osa (3) vahel kuni peatumiseni. Vedru jalad (4) peavad joonise kohaselt mööda reguleerimispaigutust (5) jooksuma. Kontrollige joonisel näidatud vedru asendit (4) reguleerimiselemendis (6) ning vajaduse korral riputage vedru.
- **4** Keerake kruvid (7) kinni.
- **5** Keerake kruvi (8) päästikheeblist (C) välja ja võtke koos vedruga (9) välja.
- Pistke päästikheebel (C) koos integreeritud kruviga ülevalt läbi konsooli (2) juhtraua alumise osa (3). Lükake vedru (9) päästikheebile (C). Keerake mutter (8) kahe pöördega sisse.



Märkus!

Päästikheebel (C) tuleb nii monteerida, et seda tuleb pingutamiseks ette poole sisepõlemismootori suunas vajutada.

- **6** Valige juhtraua ülemise osa (3) soovitud asend. (⇒ 11.3)
- Vajutage päästikheebel (C) käega ette.
- Kruvige mutter (8) 5 Nm-ga kinni (kuni kiulumiseni).
- Kinnituse kontrollimine. Päästikheebli (C) õige paigaldamine on tagatud, kui päästikheebli saab käsitsi kasutada ja sealjuures on lenks tugevalt peaseadme küljes.
- Pingutusmomendi kohandamine. Kui lenks ei ole piisavalt kinniklemmitud või kui päästikheebli ei saa käsitsi kasutada, kohandage heebli ja pingutusmomenti mutrite (8) sisse- või väljakruvimise abil. Seejärel vajutage uuesti päästikheebli ette.



Vigastusoht!

Seadet tohib vaid koos põhiseadmele tugevalt kinnitatud lenksuga (lenks ei tohi pingutatud olekus lõtv olla) lükata ja tõmmata.

7.5 Pöörake juhtraud lahti



- Tõmmake kinnitushoob (1) üles. Pöörake juhtraua ülemine osa (2) noole suunas lahti.
- Lükake kinnitushoob (1) kuni piirdeni ette.
- Seadistage juhtraua kõrgust. (⇒ 11.2)

7.6 Ohutusliistude paigaldamine



- Kontrollige ohutusliistude (F, G) eelpaigaldatud polte (1) – ärge keerake neid täielikult välja.
- Seadke mullafrees puhastamisasendisse. (⇒ 12.2)
- Viige vasakpoolne ohutusliist (F) koos kolme eelpaigaldatud poldiga (1) kattepleki kolme auku (2).
- Lükake ohutusliist (F) ette ja hoidke kinni.
- Keerake poldid (1) sisse ja pöördemomendiga 10 - 12 Nm kinni.
- Kontrollige ohutusliistu (F) kindlat asetust ja paigaldage seejärel parempoolne ohutusliist (G) samal viisil.

7.7 Freestera paigaldamine MH 445, MH 445 R



- Seadke mullafrees puhastamisasendisse. (⇒ 12.2)



Järgige paigaldamisjuhendit täpselt. Olge eriti hoolikas järjekorra järgimisel ning paigaldage kaitserõngad, freesterad ja splindid täielikult kirjelduse järgi. Splindi paigaldamisel tuleb näidatud sissepistmissuunda ja ohutusraua asendit tuleb täpselt jälgida. Vale paigalduse korral võib splint iseenesest lahti tulla ja kaduma minna.

Hea töötulemuse saavutamiseks peavad freesterade terad olema suunatud ette (mitte juhtraua poole) – jälgige noolte suunda.

Freestera määratlus

- Freestera (1):
võllikinnituse (2) ühesugune välimine läbimõõt.
- Freestera (3):
võllikinnituse (4) erinev välimine läbimõõt.

1

- Lükake kaitserõngas (K) kuni piirdeni ajamivõllile (5). Kaitserõnga süvendid peavad kinnituma ülekandekorpuse (6) kolme kinnitushaagi külge.
- Seadke freestera (1) sellisesse asendisse, et **lühem** võllikinnitus (2) oleks suunatud ülekande korpuse poole ja terad (7) oleksid suunatud ette. Nooled (8) freesteradel ja nool (9) ülekande korpusel (6) peavad osutama samasse suunda.
- Lükake freestera (1) ajamivõllile (5).
- Keerake freestera (1) selliselt, et võllikinnituse ja ajamivõlli augud kattuksid.

2

- Pistke splint (S) läbi aukude ja lükake ohutusraud kokku.

3

- Seadke freestera (3) sellisesse asendisse, et võllikinnituse (4) **väiksem** välimine läbimõõt osutaks juba monteeritud freestera (1) suunas ja terad (7) oleksid suunatud ette. Nooled (8) freesteradel ja nool (9) ülekande korpusel (6) peavad osutama samasse suunda.
- Lükake freestera (3) juba paigaldatud freesterasse (1).
- Keerake freestera (3) selliselt, et mõlema freestera augud kattuksid.

4

- Pistke splint (S) läbi aukude ja lükake ohutusraud kokku.
- Vajaduse korral paigaldage kaitseklaas. (⇒ 7.9)
- Korrake freestera paigaldamist teisel küljel.

7.8 Freestera paigaldamine MH 445, MH 585, MH 685



- Seadke mullafrees puhastamisasendisse. (⇒ 12.2)



Järgige paigaldamisjuhendit täpselt. Olge eriti hoolikas järjekorra järgimisel ning paigaldage kaitserõngad, freesterad ja splindid täielikult kirjelduse järgi. Splindi paigaldamisel tuleb näidatud sissepistmissuunda ja ohutusraua asendit tuleb täpselt jälgida. Vale paigalduse korral võib splint iseenesest lahti tulla ja kaduma minna.

Hea töötulemuse saavutamiseks peavad freesterade terad olema suunatud ette (mitte juhtraua poole) – jälgige noolte suunda.

Freestera määratlus

- Freestera (I):
kaherealine freestera.
- Freestera (J):
üherealine freestera.

1 MH 560, MH 585, MH 685

- Lükake kaitserõngas (K) kuni piirdeni ajamivõllile (1). Kaitserõnga süvendid peavad kinnituma ülekandekorpuse (2) kolme kinnitushaagi külge.

- Seadke freestera (I) sellisesse asendisse, et **lühem** võllikinnitus (3) oleks suunatud ülekande korpuse poole ja terad (4) oleksid suunatud ette. Nooled (5) freesteradel ja nool (6) ülekande korpusel (2) peavad osutama samasse suunda.
- Lükake freestera (I) ajamivõllile (1).
- Keerake freestera (I) selliselt, et võllikinnituse ja ajamivõlli augud kattuksid.

2 MH 560, MH 585, MH 685

- Pistke splint (S) läbi aukude ja lükake ohutusraud kokku.

3 MH 585, MH 685

- Seadke freestera (J) sellisesse asendisse, et võllikinnituse (7) **väiksem** välimine läbimõõt osutaks juba monteeritud freestera (I) suunas ja terad (4) oleksid suunatud ette. Nooled (5) freesteradel ja nool (6) ülekande korpusel (2) peavad osutama samasse suunda.
- Lükake freestera (J) juba paigaldatud freesterasse (I).
- Keerake freestera (J) selliselt, et mõlema freestera augud kattuksid.

4 MH 585, MH 685

- Pistke splint (S) läbi aukude ja lükake ohutusraud kokku.

MH 560, MH 585, MH 685

- Vajaduse korral paigaldage kaitseklaas. (⇒ 7.9)
- Korrake freestera paigaldamist teisel küljel.

7.9 Kaitseklaasi paigaldamine



Splindi paigaldamisel tuleb näidatud sisestussuunda ja ohutusraua asendit täpselt järgida. Vale paigalduse korral võib splint iseenesest lahti tulla ja kaduma minna.

- Pange kaitseklaas (L) välimisele freesterale. Keerake kaitseklaasi selliselt, et klaasi ja freestera augud kattuksid.
- Pistke splint (S) läbi aukude ja lükake ohutusraud kokku.
- Korra ke toimingut teisel küljel.

7.10 Veoajami hoova paigaldamine



- Arvestage paigaldamisjuhistega. (⇒ 7.1)
- Pistke must veoajami hoob (M) koos integreeritud poldiga (1) ülalt läbi juhtraua ülemises osas oleva augu.
- MH 445: Keerake kaitsemutter (O) sisse ja kinnitage pöördemomendiga 7 - 9 Nm. Pange kate (P) peale.
- MH 445 R, MH 560, MH 585, MH 685: Seadke punane veoajami hoob (N) sellisesse asendisse, et musta hoova poldi saaks keerata punasesse hoova integreeritud mutrisse. Suruge punane veoajami hoob (N) üles vastu juhtrauda. Keerake polt (1) sisse ja kinnitage 7 - 9 Nm.

7.11 Gaasitrossi paigaldamine



- Arvestage paigaldamisjuhistega. (⇒ 7.1)
- **1** Mähkige gaasitross (edaspidikäik) (1) lahti ja kinnitage kinnituskohata (2).
- **2** Keerake mutter (3) momendiga 2 - 4 Nm kinni.
- Viige gaasitross (edaspidikäik) (1) üles, nagu alljärgnevalt kirjeldatud.
A Viige gaasitross (edaspidikäik) (1) üle juhtraua ülemise osa (4).
B Paigaldage gaasitross (edaspidikäik) (1) juhtraua ülemise osa pöiktala (5) alla.
- MH 445 R, MH 560, MH 585, MH 685: Pange gaasitross (tagurpidikäik) (6) sise põlemismootori paremale küljele juhtraua (7) alla. Viige tross juhtraua juurest sarnaselt gaasitrossile (edaspidikäik) üles.

7.12 Gaasitrossi kinnitamine



- Arvestage paigaldamisjuhistega. (⇒ 7.1)
- **Gaasitross (edaspidikäik)**
- Viige trossi musta korgiga (2) nippel (1) musta veoajami hoova (M) sisse.
- Viige nippel (1) läbi ava (3) hoovas (4). Vajaduse tekkimisel kasutage selleks sobivaid tange.
- Tõmmake sobivate tangidega niplist (1) ja riputage see vastavalt joonisele hooba (4).
- Suruge kork (2) veoajami hoovale (4) ja laske fikseeruda.

• Funktsiooni kontrollimine

Rakendage veoajami hooba. (⇒ 8.2)
Veoajami hoob peab raskusteta liikuma.

Gaasitross (tagurpidikäik)

MH 445 R, MH 560, MH 585, MH 685:

- Viige trossi punase korgiga nippel punase veoajami hoova sisse.
- Edasine paigaldamine on sama nagu gaasitrossi (edaspidikäik) paigaldamine.

7.13 Gaasi reguleerimistrossi paigaldamine



- Arvestage paigaldamisjuhistega. (⇒ 7.1)
- Mähkige gaasi reguleerimistross (1) lahti ja paigaldage alloleva kirjelduse järgi.
A Viige gaasi reguleerimistross juhtraua ülemise osa (2) kohalt üles.
B Viige gaasi reguleerimistross juhtraua ülemise osa pöiktala (3) alla.
- Pange polt (T) gaasi reguleerimistrossi korpuse (4) auku. Pange gaasi reguleerimistrossi korpus koos poldiga seest juhtraua ülemisele osale ja hoidke kinni. Keerake kaitsemutter (U) peale ja kinnitage pöördemomendiga 7 - 9 Nm.

7.14 Trosside kinnitamine juhtraua külge



- Arvestage paigaldamisjuhistega. (⇒ 7.1)
- MH 445: Fikseerige gaasitross (1) kaablikõidisega (V) paremale küljele juhtraua ülemise osa külge.

- MH 445 R, MH 560, MH 585, MH 685: fikseerige mõlemad gaasitrossid (1, 2) kaablikõidisega (V) paremal küljel juhtraua ülemise osa külge.
- Fikseerige gaasi reguleerimistross (3) kaablikõidisega (V) vasakule küljele juhtraua ülemise osa külge.
- Kontrollige, kas kaablikõidis asetseb kindlalt. Lõigake juhtmekõidise üleulatuv ots ära.

7.15 Käitusaine ja mootoriõli



Vältige seadme kahjustamist!

Enne esimest käivitamist valage mootoriõli sisse. Kasutage mootoriõli lisamiseks või tankimiseks sobivat täitmise abivahendit (nt lehtrit).

Mootoriõli

Tarviliku mootoriõli ja õli täitekoguse leiate sisepõlemismootori kasutusjuhendist. Kontrollige regulaarselt täitumust (vt sisepõlemismootori kasutusjuhendist). Vältida tuleks liiga madalat ja liiga kõrget õlitaset. Enne sisepõlemismootori kasutuselevõttu keerake õlipaagi kork nõuetekohaselt kinni.



Käitusaine

Soovitus: värske kvaliteetkäitusaine; pliivaba bensiin. Andmed käitusaine kvaliteedi (oktaanarvu) kohta leiate sisepõlemismootori kasutusjuhendist.



8. Juhtelemendid

8.1 Gaasi reguleerimishoob

Gaasi reguleerimishoovaga (1) saab reguleerida sisepõlemismootori pöörlemiskiirust.



Käivitamise asend

- Tõmmake gaasi reguleerimishoob (1) kuni piirteni **taha**.
- Sisepõlemismootori saab käivitada. (⇒ 11.6)



Seiskamise asend

- Lükake gaasi reguleerimishoob (1) kuni piirteni **ette** (jälgige fikseerumise astet).
- Sisepõlemismootor seiskub mõne sekundi möödudes.



Pöörlemiskiiruse reguleerimine

- Muutke gaasi reguleerimishoova (1) asendit töötava sisepõlemismootori korral.

Mootori pöörlemiskiirus

kiire



aeglane



8.2 Veojami hoob

Veojami hoova (1, 3) rakendamiseks toimub töötava sisepõlemismootori korral ajami ühendamine või lahutamine – ajamivõll hakkab pöörlema või seiskub.



Musta veojami hoovaga (edaspidikäik) (1) hakkab mullafrees pinnasega kokkupuutumisel ja paigaldatud freesterade korral **edasi** liikuma.

Punase veojami hoovaga (tagurpidikäik) (3) hakkab mullafrees pinnasega kokkupuutumisel ja paigaldatud freesterade korral **tagasi** liikuma.

Ohutuspõhjustel on veojami hoovad mehaaniliselt juhuliku sisselülitamise vastu kaitstud. (⇒ 9.1) Seetõttu saab mudelite MH 445 R, MH 560, MH 585, MH 685 puhul mehaanilise kaitse tõttu vajutada alati ainult ühte veojami hooba – kas siis edaspidikäigu veojami hooba või tagurpidikäigu veojami hooba.



Vältige seadme kahjustamist!

Rakendage veojami hooba kiirelt ja hoogsalt, ärge jätke seda pooleldi allavajutatud asendisse – sellega vältite kiilrihmade suurt kulutamist.

Veojami hoova (edaspidikäik) rakendamine



- **1** Vajutage vabastushooba (2) kuni piirteni veojami hoovani (edaspidikäik) (1) ja hoidke.
- **2** Vajutage veojami hooba (edaspidikäik) (1) kiirelt kuni piirteni ja hoidke.

- Laske vabastushoob lahti (2). Ajam on ühendatud ja ajamivõll pöörleb.
- **3** Ajami lahutamine Vabastage veoajami hoob (edaspidikäik) (1).

Veojami hoova (tagurpidikäik) rakendamine (MH 445 R, MH 560, MH 585, MH 685):



- **1** Vajutage vabastushooba (4) kuni piirdeni veoajami hoovani (tagurpidikäik) (3) ja hoidke.
- **2** Vajutage veoajami hooba (tagurpidikäik) (3) kiirelt kuni piirdeni ja hoidke.
- Laske vabastushoob lahti (4). Ajam on ühendatud ja ajamivõll pöörleb.
- **3** Ajami lahutamine Vabastage veoajami hoob (tagurpidikäik) (3).

9. Turvaseadised

Masin on ohutuks tööks ja kaitseks asjatundmatu kasutamise vastu varustatud mitmete turvaseadmetega.



Vigastusoh!

Turvaseadmeid ei tohi eemaldada, mittetoimivaks muuta, muuta ega kahjustada. Kui ühel turvaseadmetest esineb selline rike, siis ei tohi seadet kasutada. Pöörduge müügiesindusse, STIHL soovib STIHLi müügiesindust.

9.1 Veojami hoova lukustus

Veojami hoovad on ohutuse tagamiseks mehaaniliselt lukustatud, see hoiab ära juhusliku rakendamisele.

Et rakendada mõnda veoajami hooba, tuleb enne vajutada vastavale vabastushoovale. (⇒ 8.2)

9.2 Kaitseadised

Mullafreesil on kaitseadised, mis ei lase tööseadmetega kokku puutuda ja pakuvad kaitset ülespaisatud esemete eest. Nendeks on külgmised ohutusliistud, kaitseplekk ja nõuetekohaselt paigaldatud juhtraud.

10. Juhised töötamiseks

10.1 Kasutaja tööala



- Kasutaja peab kogu töö vältel (sisepõlemismootori töö ajal) viibima ohutuse tagamiseks alati tööalas (hall ala 1).
- Mullafreesi peab korraga kasutama alati ainult üks inimene, kõrvalised isikud ei tohi ohualas viibida. (⇒ 4.)

10.2 Seadme tööasend



- Mullafreesi kasutamise alustamiseks peab see maapinnale toetuma (sisepõlemismootor üleval). Kogu tööaja vältel tuleb mullafreesi võimalikult horisontaalsena hoida ja vältida tugevat kallutamist.

10.3 Freesterade kombinatsioonid



Paigaldage vasakule ja paremale ajamivõllile alati sama arv freesterasid.

Kaitseklaasi saab paigaldada kõikide kirjeldatud freesterade kombinatsioonide puhul. See kaitseb ümbritsevaid taimi – nt kitsas peenras purustamisel.

Võimalikud kombinatsioonid MH 445, MH 445 R:

- 2 freestera: üks üherealine freestera ajamivõlli kohta
- 4 freestera: kaks üherealist freestera ajamivõlli kohta

Võimalikud kombinatsioonid MH 560:

- 2 freestera: üks kaherealine freestera ajamivõlli kohta

Võimalikud kombinatsioonid MH 585, MH 685:

- 2 freestera: üks kaherealine freestera ajamivõlli kohta
- 4 freestera: üks kaherealine freestera ja üks üherealine freestera ajamivõlli kohta

10.4 Ideaalne keha asend töötamisel



Ideaalne kehahoiak töötamisel aitab kiiret väsimist ära hoida.

Seade tuleks selleks reguleerida (juhtraua kõrgus, piiriku reguleerimine) selliseks, et kogu tööaja vältel oleks tagatud keha sirgelthoidmine (selg).

Keha ideaalne asend:

- sirge selg,
- sirged jalad,
- käed kergelt allapoole suunatud.

11. Seadme käivitamine

11.1 Ettevalmistavad meetmed



Vigastusoh!

Lugege eelnevalt ohutusjuhised peatükis „Ohutusnõuded“ (⇒ 4.) läbi ja õppige mullafreesi juhtelemente tundma. (⇒ 8.)

- Kontrollige mootoriõli taset ja tankige. (⇒ 7.15)

11.2 Juhtraua ülemise osa kõrguse reguleerimine



Juhtraua ülemise osa kõrgust saab reguleerida.

- Lükake transpordiraam lahti. (⇒ 11.4)
- Haarake ühe käega juhtraua ülemise osa (1) käepidemest (2) tugevalt kinni ja hoidke.
- Tõmmake teise käega kinnitushoob (3) taha ja hoidke kinni.
- Seadke juhtraua ülemine osa (1) soovitud asendisse.
- Lükake kinnitushoob (3) ette ja jälgige, et juhtraua ülemine osa täielikult kinnituks.

- Lükake transpordiraam vajaduse korral kokku. (⇒ 11.4)

11.3 Juhtraua külgreguleerimine



Juhtraua saab külje suunas fikseerida 3 asendisse.

- Lükake transpordiraam lahti. (⇒ 11.4)
- Hoidke juhtraua ülemist osa käepidemest ühe käega kinni.
- Tõmmake kinnitushoob (1) käega üles.
- Seadke juhtraud soovitud asendisse. Jälgige seejuures, et kinnitushaak (2) asuks ühest kolmest kinnitusaugust (3) kõrgemal.
- Suruge kinnitushoob (1) käega ette ja fikseerige juhtraud.
- Kontrollige juhtraua kindlat asendit.
- Lükake transpordiraam vajaduse korral kokku. (⇒ 11.4)

11.4 Transpordiraami kokku- ja lahtiilukkamine



Transpordiraami abil saab mullafreesi lükates või tõmmates transportida.



Vigastusoh!

Kui transpordiraam on tööasendis (üles pööratud) ja vajutatakse vabastushooba, võib transpordiraam iseenesest transpordiasendisse langeda.

Lükake transpordiraam lahti – transpordiasend

- Tõstke transpordiraami (1) ühe käega kergelt üles ja hoidke.
- Vajutage vabastushooba (2).

- Pöörake transpordiraam (1) kuni piirideni alla ja laske vabastushoob (2) lahti. Transpordiraam fikseerub.

Pöörake transpordiraam kokku – tööasend

- Hoidke transpordiraami (1) ühe käega ja veidi tõstes vabastage.
- Vajutage vabastushooba (2) ja pöörake transpordiraam üles.
- Laske vabastushoob (2) lahti ja pöörake transpordiraam kuni piirideni üles. Transpordiraam fikseerub tööasendisse.

11.5 Piiriku reguleerimine



Maaharimisel saab piirikuga reguleerida takistust ja seega ka edasilükkekiirust. Piirikut saab tõhusamaks reguleerimiseks seada 3 astmesse.

Piiriku reguleerimine

- Lükake transpordiraam transpordiasendisse. (⇒ 11.4) Jälgige seadme stabiilset asendit.
- Vajutage vabastuspolti (1) ja hoidke selles asendis.
- Viige piirik (2) soovitud asendisse.
- Laske vabastushoob (1) lahti ja jälgige, et piirik fikseeruks.

11.6 Sisepõlemismootori käivitamine



- Seadke gaasi reguleerimishoob käivitamise asendisse. (⇒ 8.1)
- Hoidke starteri trossi käepidemest (1) ühe käega tugevalt kinni.

- Tõmmake starteri tross (1) aeglaselt kuni takistuseni välja. Seejärel tõmmake tugevalt, kiiresti ja ühe korraga kogu käepikkuse ulatuses. Viige starteri tross (1) taas aeglaselt tagasi, et see saaks uuesti kokku rulluda.
Korrake toimingut, kuni sisepõlemismootor käivitub.

11.7 Sisepõlemismootori seiskamine

- Seadke sisepõlemismootori seiskamiseks gaasi reguleerimishoob seiskamisasendisse. (⇒ 8.1)
Sisepõlemismootor jääb pärast lühikest järeltöötamisaega seisma.

11.8 Veoajami (edaspidikäik) ühendamine ja lahutamine

Veoajami (edaspidikäik) ühendamine:

- Transportige seisva sisepõlemismootoriga mullafrees kasutuskohta. (⇒ 13.)
- Käivitage sisepõlemismootor. (⇒ 11.6)
- Hoidke mullafreesist mõlema käega käepidemetest kinni.
- Kasutage **musta** veoajami hooba (edaspidikäik) ja hoidke. (⇒ 8.2)
Ajamivõll monteeritud tööseadmetega hakkab selliselt pöörlema, et mullafrees hakkab edasisuunas liikuma.

Veoajami (edaspidikäik) lahutamine:

- Vabastage veoajami hoob (edaspidikäik). (⇒ 8.2)
Ajamivõll koos paigaldatud tööseadmetega seiskub.

11.9 Veoajami (tagurpidikäik) ühendamine ja lahutamine (MH 445 R, MH 560, MH 585, MH 685)

Mullafreesidel MH 445 R, MH 560, MH 585, MH 685 on tagurpidikäik.

Tagurpidikäik on maaharimisel vaid mullafreesi kergemaks vabastamiseks kinnijäämise puhul. Tagurpidikäik ei ole mõeldud purustamiseks.



Vigastusohht!

Enne veoajami (tagurpidikäik) ühendamist tuleb alati jälgida, et kasutaja keha ja juhtraua vahel oleks piisavalt vaba ruumi.

Veoajami (tagurpidikäik) ühendamine:

- Transportige seisva sisepõlemismootoriga mullafrees kasutuskohta. (⇒ 13.1)
- Käivitage sisepõlemismootor. (⇒ 11.6)
- Hoidke mullafreesist mõlema käega käepidemetest kinni.
- Kasutage **punast** veoajami hooba (tagurpidikäik) ja hoidke. (⇒ 8.2)
Ajamivõll monteeritud tööseadmetega hakkab selliselt pöörlema, et mullafrees hakkab tagasisuunas liikuma.

Veoajami (tagurpidikäik) lahutamine.

- Vabastage veoajami hoob (tagurpidikäik). (⇒ 8.2)
Ajamivõll koos paigaldatud tööseadmetega seiskub.

11.10 Purustamine

Purustamisel kobestatakse pöörlevate freesteradega pinnast ja valmistatakse ette külviks, istutamiseks või taimede hooldamiseks.



Vigastusohht!

Purustage ainult edasisuunas. Jälgige takistusi, millest ei tohi üle sõita (nt käimisraja kiviplaadid).

- Transportige seisva sisepõlemismootoriga mullafrees kasutuskohta. (⇒ 13.1)
- Lükake transpordiraam kokku. (⇒ 11.4)
- Käivitage sisepõlemismootor. (⇒ 11.6)
- Hoidke mõlema käega mullafreesi käepidemetest ja seiske kindlalt – arvestage kasutaja tööalaga. (⇒ 10.1)
- Kasutage veoajami hooba (edaspidikäik) ja hoidke. (⇒ 11.8)
Freesterad hakkavad pöörlema, võite alustada freesimist.
- Lahutage veoajam pärast tööd (⇒ 11.8), jätke mootor seisma (⇒ 11.7) ja puhastage seadet (⇒ 12.2).

12. Hooldus



Vigastusohht!

Enne kõiki seadmele tehtavaid hooldus- või puhastustöid lugege läbi peatükk „Ohutusnõuded“ (⇒ 4.), eriti just alapeatükk „Hooldus ja remont“ (⇒ 4.7), ning järgige täpselt kõiki nendes peatükkides toodud ohutusjuhiseid.



Tõmmake enne kõiki hooldus- ja puhastustöid süüteküünla pistik välja!

12.1 Freestera eemaldamine



Kui splint ülekandekorpuse kõrval vabastatakse, saab kogu freestera komplekti koos kaitseklaasiga ajamivõllilt tõmmata. Arvestage freestera paigaldustöödel andmetega peatükkides Freestera paigaldamine (⇒ 7.7), (⇒ 7.8) ja Freesterade kombinatsioonid (⇒ 10.3).

- Laske seadmel (sisepõlemismootor, ülekanne) täielikult jahtuda.
- Seadke mullafrees puhastamisasendisse. (⇒ 12.2)
- Kaitseklaasi eemaldamine Pöörake splindi (1) kaitseraud lahti ja eemaldage splint. Tõmmake kaitseklaas (2) ära.
- Freesterade demonteerimine Pöörake splindi (3) kaitseraud lahti ja eemaldage splint. Tõmmake freesterad täielikult (4) ära.
- Tõmmake kaitserõngad (5) ära ja hoidke kindlalt – ärge ära kaotage!

12.2 Seadme puhastamine



Hooldusvälp: pärist iga kasutust

- Puhastage kogu seade põhjalikult pärast iga kasutuskorda. Hoolikas käsitlemine kaitseb seadet ja pikendab seadme kasutusiga.
- Laske seadmel enne puhastamist täielikult jahtuda, tõmmake süüteküünla pistik välja ning kandke ülekanne ja freesterade puhastamisel pikkade varrukatega riideid ja tugevaid kindaid.

Puhastusasend



Vältige seadme kahjustamist!

Mullafreesi võib ainult lühiajaliselt (puhastus- ja hooldustöödeks) näidatud asendisse seada. Seadke hoiulepanekuks seade püstisesse asendisse.

- Lükake transpordiraam lahti. (⇒ 11.4)
- Seadke juhtraua ülemine osa kõrgeimasse asendisse. (⇒ 11.2)
- Asetage mullafrees tasasele ja tugevale pinnale.
- Kallutage seadet taha, kuni juhtraud ulatub maapinnani.

Puhastamisinfo

- Mustus ja kinnijäänud jäägid tuleb eemaldada harja, niiske rätiku või puupulgaga – agressiivseid puhastusvahendeid ei tohi kasutada. STIHL soovib kasutada spetsiaalset puhastusvahendit (nt STIHLi spetsiaalset puhastusvahendit).
- Veejuga ei tohi mingil juhul suunata juhtrauale, sisepõlemismootori osadele, tihenditele ja laagritele. Selle tagajärg on kulukas remont.
- **Sisepõlemismootor:** Sisepõlemismootor: eemaldage mustus jahutusribidelt, ventilaatorilt, õhufiltri ümbert, väljalasketorult jne, et sisepõlemismootori jahutus töötaks korralikult.
- **Ülekanne korpust, rattaraami ja freesimistööriista** võib puhastada veejoa või kõrgsurvepesuriga.



Vältige seadme kahjustamist!

Olge kõrgsurvepesuri kasutamisel vähemalt 1 m kaugusel ja ärge suunake veejuga kunagi otse laagritele, ajamivõllile ja tihenditele – eriti just tihendile ülekanne korpuse ning kaitsepleki vahel.

12.3 Sisepõlemismootor

Hooldusvälp: enne iga kasutust

kontrollige mootoriõli taset (vt sisepõlemismootori kasutusjuhendit).

Järgige käsitlemis- ja hooldusjuhiseid, mille leiate kaasasolevast sisepõlemismootori kasutusjuhendist.

12.4 Teenindusintervallid



Vältige seadme kahjustamist.

Ülekandega seotud hooldustöid laske teha ainult müügiesinduses.

Hooldus müügiesinduses: erakasutuse korral kord aastas

Mullafreesi laske hooldada müügiesinduses. STIHL soovib ettevõtte STIHL müügiesindust.

Kasutaja tehtavad hooldustööd:

- **enne iga kasutuselevõttu** kontrollige mootoriõli taset (vt sisepõlemismootori kasutusjuhendit),
- **pärast iga kasutust** puhastage seade. (⇒ 12.2)

12.5 Hoiule- ja seismapanek (talvepauk)



Hoidke mullafreesi normaalses asendis (lahtilükatud transpordiraam). Ruumisäästliku hoidmise jaoks pöörake juhtraud vastavalt joonisele taha.



Ümberminekuoit!

Mullafrees võib ettepoole ümber kukkuda, kui freestera on ebasoodsas asendis. Seetõttu kontrollige alati, kas mullafrees seisab kindlalt. Vajaduse korral keerake veidi freesterasid, et vähendada ülaosa liiga suurt koormust. Alternatiivina võib seadme hoiulepanekul mullafreesi toetada kandesanga piirkonnast.

Hoidke seadet kuivas, suletud, tolmuvabas ruumis. Veenduge, et seda hoitakse väljaspool laste tegevusulatust.

Esineda võivad tõrked tuleb kõrvaldada enne hoiulepanekut. Seade peab olema alati töökindlas olekus. Kõik mutrid, poldid ja kruvid peavad olema tugevalt kinni keeratud, vahetage seadmel loetamatud ohu- ja hoiatussildid välja, kontrollige kogu masinat, et ei esineks kulumisi ega kahjustusi. Vahetage kulunud ja kahjustatud osad välja.

Seadme pikemaks ajaks seismapanekul (talvepauk) tuleb lisaks arvestada järgmiste punktidega.

- Puhastage hoolikalt kõik seadme välimised osad.
- Tühjendage kütusepaak ja karburaator.
- Määrige kõiki liikuvaid osi korralikult õli või määrdeainega.

- Keerake süüteküünal välja (vt sisepõlemismootori kasutusjuhendit) ja valage süüteküünlaava kaudu sisepõlemismootorisse u 3 cm³ mootoriõli. Pöörake sisepõlemismootorit paar korda ilma süüteküünlata (tõmmake starteri trossist).



Tuleoht!

Hoidke süüteküünla pistikut süttimisohu tõttu süüteküünlaavast eemal.

- Keerake süüteküünal sisse tagasi (vt sisepõlemismootori kasutusjuhendit).
- Vahetage õli (vt sisepõlemismootori kasutusjuhendit).
- Katke sisepõlemismootor kinni ja pange seade hoiule normaalses asendis.

13. Transport

13.1 Mullafreesi transportimine



Vigastusohit!

Järgige peatükis „Ohutusnõuded“ (⇒ 4.) esitatud ohutusjuhiseid, eriti aga lõiku „Transport“ (⇒ 4.4). Jätke sisepõlemismootor enne transportimist seisma, tõmmake süüteküünla pistik ära ja pange selga sobiv kaitserietus (kaitsejalanõud, kindad, kombinesoon, mis katab käsi ja jalgu).

Arvestage massiga! (⇒ 18.)

1 Mullafreesi tõmbamine või nihutamine

- Seadke piirik kõrgeimasse asendisse. (⇒ 11.5)
- Lükake transpordiraam lahti. (⇒ 11.4)
- Hoidke mullafreesi mõlemast käepidemest (1) kinni ja kallutage taha, kuni seade asetseb transpordirastatel.
- Tõmmake või lükake mullafreesi aeglaselt (kõndimise kiirusel). Siledal ja tasasel pinnal on seadet parem lükata, ebaühtlasel parem tõmmata.



Vigastusohit!

Kuna seade on raske, tuleb astmetel, kõrgematel takistustel, kallakutel ja muudel kõrgematel kohtadel eriti ettevaatlik olla. Kasutaja peab asuma seadmest kõrgemal, et seade ei saaks temast kontrolli kaotamisel üle veereda – s.t, et seadet tuleb takistustel ja langustel alla lükata või üles tõmmata.

Seadet tohib lükata või tõmmata maksimaalselt üle 2 kuni 3 astme! Rohkemate astmete puhul tuleb mullafreesi kanda teise inimese abiga.

2 Mullafreesi tõstmine või kandmine

- Kontrollige juhtraua ülemise osa kindlat asendit.
 - Tõstke/kandke mullafreesi vähemalt kahekesi ja ärge minge freesteradele kunagi liiga lähedale.
- Kinnihoidmiskohad**
käepidemed (1) ja kandesang (2)

3 Mullafreesi transportimine laadimisel

- Transportige mullafreesi alati **seisvana** – transportiraamil ja freesteradel. Seadet ei tohi mingil juhul asetada küljele.
- Kindla asetsemise jaoks lükake transportiraam lahti (⇒ 11.4) ja demonteerige freesterad (⇒ 7.7), (⇒ 7.8).
- Libisemise vältimiseks kinnitage mullafreesi trosside või rihmadega laadimisel. **kinnituskohad:** transportiraami telg (3) ja freesterade telg (4).

14. Keskkonkaitse



Pakendid, seade ja tarvikud on valmistatud taaskasutatavatest materjalidest ning tuleb vastavalt jäätmekäitlusse suunata.

Materjalijääkide keskkonnateadlik käitlemine soodustab ressursside taaskasutamist. Sellepärast tuleb seade pärast tavapärase kasutusaja lõppu viia korduvkasutusega materjalide kogumiskohta.

14.1 Jäätmekäitlus

Andke vanaõli (mootoriõli, ülekandeõli) ja kütus alati nõuetekohaselt jäätmekäitlusse.

Tehke sise põlemismootor enne jäätmekäitlusse andmist kasutuskõlbmatuks. Selleks tuleb eelkõige eemaldada süütejuhtmed, tühjendada paak ning mootoriõli välja lasta.

Vigastusohut freesterade juures!

Ärge jätke kunagi ka oma aja äraelanud mullafreesi järelevalveta. Tagage, et seadet ja eriti freesterasid hoitakse väljaspool laste tegevusulatust.

15. Kulumise minimeerimine ja kahjude vältimine

Olulised juhised tootegrupi tehniliseks korrahoiuks ja hoolduseks

Bensiinimootoriga mullafreesid (STIHL MH)

Ettevõtte STIHL välistab igasuguse vastutuse materiaalsete kahjude ja inimete vigastuste eest, mis on tekkinud selles kasutusjuhendis toodud juhiste eiramise tõttu, eriti neid, mis puudutavad ohutust, kasutamist ja hooldust, või mis on tekkinud mittelubatud detailide või varuosade kasutamise tõttu.

Palun järgige kindlasti järgmisi olulisi juhiseid, et vältida STIHLi seadme kahjustusi ja liigset kulumist:

1. Kuluosad

Mõni STIHLi seadme osa kuulub ka sihipärasel kasutamisel ning need tuleb kasutamise viisi ja kestuse järgi õigel ajal välja vahetada.

Nende hulka kuuluvad muuhulgas:

- kiirrihm
- freestera
- piirik

2. Selle kasutusjuhendi nõuete järgimine

STIHLi seadet tuleb kasutada, hooldada ja hoiustada hoolikalt, nagu on kirjeldatud selles kasutusjuhendis. Kõigi kahjude

eest, mis tulenevad ohutus-, käsitsemis- ja hooldusjuhiste eiramisest, vastutab kasutaja ise.

See kehtib eriti:

- toote mittesihipärase kasutamise kohta;
- STIHLi mittelubatud käitusainete (määrdeained, bensiin ja mootoriõli – vt sise põlemismootori kasutusjuhendit) kasutamise kohta;
- STIHLi mittelubatud muudatuste tegemisel tootele;
- STIHLi mittelubatud lisadetailide, lisaseadmete või lõikeinstrumentide kasutamise kohta;
- toote kasutamisel spordiüritustel või võistlustel;
- defektsete komponentidega toote edasikasutamisel tekkinud kahjude korral.

3. Hooldustööd

Kõiki peatükis „Hooldus” nimetatud töid tuleb teha regulaarselt.

Kui kasutaja ise ei saa neid hooldustöid teha, tuleb lasta need müügiesinduses teha.

STIHL soovib lasta hooldustöid ja remonti teha ainult STIHLi müügiesinduses.

STIHLi müügiesinduste töötajaid koolitatakse regulaarselt ja nende kasutuses on tehniline teave.

Kui need tööd tegemata jäetakse, võivad tekkida kahjud, mille eest vastutab kasutaja.

Nende hulka kuuluvad:

- korrosioon ja muud kahjustused vale hoiustamise tõttu

- seadme kahjustused madala kvaliteediga varuosade kasutamise tõttu
- kahjustused hilinevad või ebapiisava hoolduse tõttu, või kahjustused hooldus- või remonttööde tõttu, mida ei tehtud müügisinduse töökodades.

16. Tavalised varuosad

Splint (freesterad):
9396 021 3785

MH 445, MH 445 R

freestera vasakul täiesti sees:

6241 710 0200

freestera paremal täiesti sees:

6241 710 0205

freestera vasakul täiesti väljas:

6241 710 0210

freestera paremal täiesti väljas:

6241 710 0215

MH 560, MH 585, MH 685

freestera vasakul täiesti sees:

6241 710 0220

freestera paremal täiesti sees:

6241 710 0225

MH 585, MH 685

freestera vasakul täiesti väljas:

6242 710 0210

freestera paremal täiesti väljas:

6242 710 0215

17. EL-i vastavusdeklaratsioon

17.1 Mullafrees STIHL MH 445.0, MH 445.0 R, MH 560.0, MH 585.0, MH 685.0

STIHL Tirol GmbH
Hans Peter Stihl-Straße 5
6336 Langkampfen
Austria

deklareerib ainuvastutajana, et

- mudelivariant: mullafrees
- kaubamärk: STIHL
- tüüp: MH 445.0, MH 445.0 R, MH 560.0, MH 585.0, MH 685.0
- seerianumber: 6241

vastab direktiivide 2000/14/EC, 2006/42/EC, 2014/30/EU ja 2011/65/EU asjakohastele sätetele ning on välja töötatud ja toodetud kooskõlas järgmiste standardite tootmiskuupäeval kehtivate versioonidega: EN 709 ja EN 14982 (kui on rakendatavad).

Asjaomase nimetatud asutuse nimi ja aadress:
TÜV Rheinland LGA Products GmbH
Tillystraße 2
D-90431 Nürnberg

Mõõdetud ja garanteeritud mürataseme tuvastamiseks lähtuti direktiivi 2000/14/EC lisast VIII.

MH 445.0, MH 445.0 R

- Mõõdetud müratase: 92 dB(A)
- Tagatud müratase: 93 dB(A)

MH 560.0, MH 585.0

- Mõõdetud müratase: 91,3 dB(A)

- Tagatud müratase: 93 dB(A)

MH 685.0

- Mõõdetud müratase: 92,4 dB(A)

- Tagatud müratase: 93 dB(A)

Tehnilist dokumentatsiooni hoitakse ettevõtte STIHL Tirol GmbH tootelubade osakonnas.

Valmistamisaja ja masina number on olemas mullafreesi peal.

Langkampfen, 02.11.2020

STIHL Tirol GmbH

Volitatud isik:



Matthias Fleischer, uurimis- ja arendusosakonna juhataja

Volitatud isik:



Sven Zimmermann, kvaliteediosakonna juhataja

18. Tehnilised andmed

MH 445.0 / MH 445.0 R / MH 560.0 / MH 585.0 / MH 685.0

Seerianumber	6241
Sisepõlemismootor, liik	4-taktiline sisepõlemismootor
Käivitusseadis	Trosskäivitus
Direktiivi 2000/14/EC järgi.	
Garanteeritud müratase L_{WAd}	93 dB(A)

MH 445.0 / MH 445.0 R

Mootori tüüp	B&S Series 550 EX OHV RS
Töömaht	140 ccm
Nimivõimsus nimikiirusel	2,2 - 3100 kW - p/min
Kütusepaak	0,8 l
Tööriist	4 freesimiselement i, 2 kaitseklaasi
Freestera läbimõõt	30 cm
Freestera töökiirus kontroll-pöörlemiskiirusel	124 p/min
Kontroll-pöörlemiskiirus	3100 p/min
Direktiivi 2006/42/EC järgi.	
Müraõhutase töökohal L_{pA}	80 dB(A)
Ebastabiilsus K_{pA}	2 dB(A)
Toodud vibratsioonitase standardi EN 12096 järgi.	
Mõõdetud väärtus a_{hw}	5,50 m/s ²
Ebastabiilsus K_{hw}	2,20 m/s ²

MH 445.0 / MH 445.0 R

Mõõtmise standardi EN 20643 järgi	
Ajam MH 445.0	1 käik edaspidi
Ajam MH 445.0 R	1 käik edaspidi 1 käik tagurpidi
Kaal	36 kg / 37 kg

MH 560.0/ MH 585.0

Mootori tüüp	Kohler HD675
Töömaht	149 ccm
Nimivõimsus nimikiirusel	2,3 - 3000 kW - p/min
Kütusepaak	1,4 l
Tööriist MH 560.0	2 freesimiselement i, 2 kaitseklaasi

Tööriist MH 585.0

Tööriist MH 585.0	4 freesimiselement i, 2 kaitseklaasi
Freestera läbimõõt	32 cm
Freestera töökiirus kontroll-pöörlemiskiirusel	120 p/min
Kontroll-pöörlemiskiirus	3000 p/min
Direktiivi 2006/42/EC järgi.	

Müraõhutase töökohal L_{pA}	79 dB(A)
Ebastabiilsus K_{pA}	2 dB(A)
Toodud vibratsioonitase standardi EN 12096 järgi.	

Mõõdetud väärtus

a_{hw}	5,00 m/s ²
Ebastabiilsus K_{hw}	2,50 m/s ²
Mõõtmise standardi EN 20643 järgi	
Ajam	1 käik edaspidi 1 käik tagurpidi
Kaal	41 kg / 44 kg

MH 685.0

Mootori tüüp	Kohler HD775
Töömaht	173 ccm
Nimivõimsus nimikiirusel	2,9 - 3200 kW - p/min
Kütusepaak	1,4 l
Tööriist	4 freesimiselement i, 2 kaitseklaasi

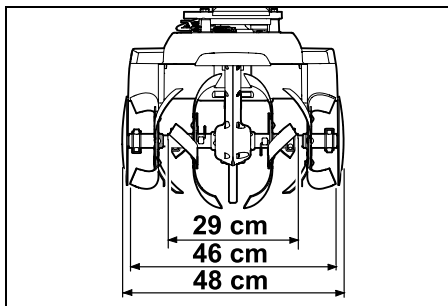
Freestera läbimõõt	32 cm
Freestera töökiirus kontroll-pöörlemiskiirusel	128 p/min
Kontroll-pöörlemiskiirus	3200 p/min
Direktiivi 2006/42/EC järgi.	

Müraõhutase töökohal L_{pA}	80 dB(A)
Ebastabiilsus K_{pA}	2 dB(A)
Toodud vibratsioonitase standardi EN 12096 järgi.	

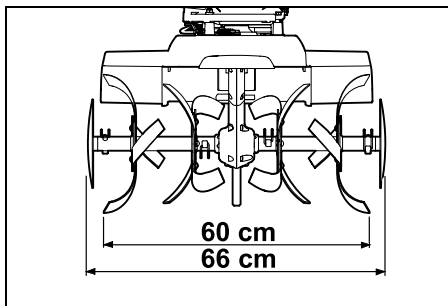
Mõõdetud väärtus a_{hw}	6,00 m/s ²
Ebastabiilsus K_{hw}	2,40 m/s ²
Mõõtmise standardi EN 20643 järgi	

Ajam	1 käik edaspidi 1 käik tagurpidi
Kaal	46 kg

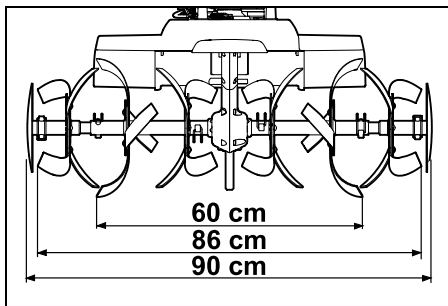
MH 445.0, MH 445.0 R:



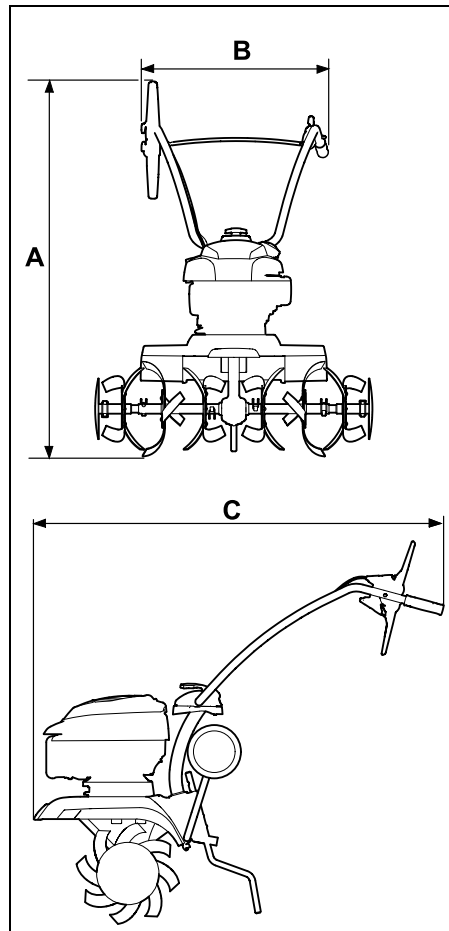
MH 560.0:



MH 585.0, MH 685.0:



MH 445.0, MH 445.0 R, MH 560.0,
MH 585.0, MH 685.0:



MH 445.0, MH 445.0 R:

A = 118 cm

B = 57 cm

C = 122 cm

MH 560.0, MH 585.0, MH 685.0:

A = 119 cm

B = 57 cm

C = 122 cm

18.1 REACH

REACH tähistab EÜ korraldust kemikaalide registreerimiseks, hindamiseks ja tootloa saamiseks.

REACHi määrusele (EÜ) nr 1907/2006 vastavuse teave on toodud aadressil www.stihl.com/reach.

19. Tõrkeotsing

✘ Vajaduse korral pöörduge müügiesindusse, STIHL soovib STIHLi müügiesindust.

📖 Vaata sisepõlemismootori kasutusjuhendist.

Rike.

Sisepõlemismootor ei käivitu

Võimalik põhjus.

- Gaasi reguleerimishoob on seiskamisasendis
- Paagis ei ole kütust; kütusevoolik on ummistunud
- Paagis on halb, saastunud või vana kütus
- Süüteküünla pistik on süüteküünlalt ära tõmmatud; küünlajuhe on pistiku külge halvasti kinnitatud
- Süüteküünal on tahmunud või kahjustatud; vale elektroodide vahe
- Õhufilter on must
- Sisepõlemismootor on paljude käivituskatsete tagajärjel „üle ujutatud”

Abinõu.

- Viige gaasi reguleerimishoob käivitusasendisse (⇒ 8.1)
- Kütusega täitmine (⇒ 7.15); Puhastage kütusevoolikud (✘)

- Kasutage värsket kvaliteetkütust (pliiivaba bensiin) (⇒ 7.15); Puhastage karburaatorit (✘)
- Asetage süüteküünla pistik kohale (📖); Kontrollige ühendust küünlajuhtme ja pistiku vahel (✘)
- Puhastage süüteküünalt / vahetage välja (📖), (✘); Reguleerige elektroodide vahemikku (✘)
- Puhastage õhufiltrit / vahetage välja (✘)
- Keerake süüteküünal välja ja kuivatage, lükake gaasihoob seiskamisasendisse ja tõmmake starteri trossi väljakeeratud süüteküünlaga mitu korda lõpuni välja (📖)

Rike.

Käivitamine on raskendatud või sisepõlemismootori võimsus väheneb

Võimalik põhjus.

- Kütusepaagis ja karburaatoris on vesi; karburaator on ummistunud
- Kütusepaak on must
- Õhufilter on must
- Süüteküünal on tahmunud

Abinõu.

- Tühjendage kütusepaak, puhastage kütusevoolik ja karburaator (✘)
- Puhastage kütusepaak (✘)
- Puhastage õhufiltrit / vahetage välja (📖), (✘)
- Puhastage süüteküünalt / vahetage välja (📖), (✘)

Rike.

Sisepõlemismootor läheb väga kuumaks

Võimalik põhjus.

- Jahutusribid on mustad
- Liiga madal õlitase sisepõlemismootoris

- Sisepõlemismootori pind on kaetud mullaga

Abinõu.

- Puhastage jahutusribisid (⇒ 12.2)
- Lisage mootoriõli (⇒ 7.15)
- Eemaldage muld sisepõlemismootorilt

Rike.

Sisepõlemismootor töötab ebaühtlaselt

Võimalik põhjus.

- Õhufilter on must

Abinõu.

- Puhastage õhufiltrit / vahetage välja (📖), (✘)

Rike.

Tekib palju suitsu

Võimalik põhjus.

- Liiga kõrge õlitase
- Õhufilter on must

Abinõu.

- Kohandage õli täitekogust (📖)
- Puhastage õhufiltrit / vahetage välja (📖), (✘)

Rike.

Tugev vibratsioon töötamise ajal

Võimalik põhjus.

- Mootori kinnitus on lahti

Abinõu.

- Keerake mootori kinnituspoldid kinni (✘)

Rike.

Töövõimsus on vähenenud

Võimalik põhjus.

- Freesterad on valesti paigaldatud
- Freesterad on kulunud

- Piirik on valesti reguleeritud

Abinõu.

- Paigaldage freestera õigesti (⇒ 7.7), (⇒ 7.8)
- Vahetage freesterad välja (✘)
- Reguleerige piirikut (⇒ 11.5)

Rike.

Töövõimsus puudub

Võimalik põhjus.

- Ajamivõlli splint puudub

Abinõu.

- Kontrollige freesterade kinnitust ajamivõllil (⇒ 7.7), (⇒ 7.8)

Rike.

Vali ülekanDEMÜra

Võimalik põhjus.

- Vale õlitase ülekanDES

Abinõu.

- Kontrollige ülekanDE õlitaset (✘)

Rike.

Ajamivõll ei pöörle rakendatud veoajami hoova korral

Võimalik põhjus.

- Tross katki
- Veorihmad on kulunud

Abinõu.

- Kontrollige trossi ja vahetage vajadusel (✘)
- Vahetage rihmad (✘)

20. Teenindusplaan

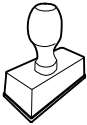
20.1 Üleandmise kinnitus

Mudel: _____

Seerianumber:

--	--	--	--	--	--	--	--	--

Kuupäev: | | | | | | | | | |



Järgmine teenindus

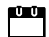
Kuupäev: | | | | | | | | | |


20.2 Teeninduse kinnitus



Andke hooldustööde korral see kasutusjuhend STIHLi müügiesindusele.

Seal lisatakse vastavatesse ettenähtud kohtadesse kinnitus teenindustööde teostamise kohta.

 Teeninduse teostamise kuupäev

 Järgmise teeninduse kuupäev

Драги корисници,

задоволство ние е што се одлучивте за STIHL. Нашите производи ги развиваме и изработуваме со врвен квалитет, во согласност со потребите на нашите корисници. Така настануваат производи со голема сигурност, дури и во екстремни услови.

STIHL исто така се однесува и на врвниот квалитет при сервисот. Нашата специјализирана трговија гарантира компетентни совети и инструкции, како и сеопфатна техничка поддршка.

Ви благодариме на довербата и Ви посакуваме многу задоволство со Вашиот STIHL производ.



д-р Николас Штил

**ВАЖНО! ДА СЕ ПРОЧИТА ПРЕД
УПОТРЕБА И ДА СЕ ЧУВА.**

1. Содржина

Кон ова упатство за употреба	396
Општо	396
Инструкции за користење на Упатството за употреба	396
Опис на уредот	397
За Ваша безбедност	397
Општо	397
Ставање гориво – ракување со бензин	398
Облека и опрема	399
Транспорт на уредот	399
Пред почетокот на работењето	399
За време на работењето	400
Одржување и поправки	402
Складирање за време на подолги паузи во употребата	404
Отстранување	404
Опис на симболите	404
Обем на испорака	405
Оспособување на уредот за работа	406
Напомени за монтирање	406
Монтирање на тркалата за транспорт	406
Монтирање на блокажата за кочница	406
Монтирање на управувачот	407
Исправање на управувачот	407
Монтирање на заштитните крила	407
Монтирање на фрезата МН 445, МН 445 R	407
Монтирање на фрезата МН 445, МН 585, МН 685	408
Монтирање на заштитата на билките од оштетување	409

Монтирање на рачките за вклучување на погонот	409
Поставување на сајлите за погон	409
Прикачување на сајлата за погон	410
Поставување и монтирање на сајлата за гас	410
Прицврстување на сајлите на управувачот	410
Гориво и моторно масло	410
Контролни елементи	411
Рачка за штелување на гас	411
Рачка за вклучување на погонот	411
Сигурносни системи	412
Заклучување на рачката за вклучување на погонот	412
Заштитни уреди	412
Упатство за работа	412
Работно подрачје на операторот	412
Работна позиција на апаратот	412
Комбинации на фрезите	412
Идеална положба на телото за време на работата	412
Активирање на уредот	413
Мерки за подготовка	413
Нагодување на висината на горниот дел на рачката	413
Странично нагодување на управувачот	413
Отворање и затворање на тркалата за транспорт	413
Нагодување на висината на блокажата за кочница	413
Стартување на моторот со внатрешно согорување	414
Исклучување на моторот	414
Вклучување и исклучување на погонот (напред)	414

Вклучување и исклучување на погонот (назад) (МН 445 R, МН 560, МН 585, МН 685)	414
Култивирање	414
Одржување	415
Демонтирање на фрезите	415
Чистење на уредот	415
Бензински мотор	416
Интервали на одржување	416
Складирање и пауза (зимски период)	416
Транспорт	417
Транспорт на мотокултиваторот	417
Заштита на животната средина	418
Отстранување	418
Минимизирање на абењето и избегнување штети	418
Вообичаени резервни делови	419
Сертификат за сообразност со ЕУ	419
Мотокултиватор STIHL МН 445.0, МН 445.0 R, МН 560.0, МН 585.0, МН 685.0	419
Технички податоци	420
REACH	422
Решавање проблеми	422
Сервисен план	423
Потврда за испораката	423
Сервисна потврда	423

2. Кон ова упатство за употреба

2.1 Општо

Ова Упатство за употреба е оригинално Упатство за употреба дадено од производителот, во согласност со директивата на ЕУ 2006/42/ЕС.

STIHL постојано работи на натамошниот развој на својата палета производи; затоа го задржуваме правото за промена на обемот на испораката во поглед на формата, техниката и опремата.

Од таа причина, од податоците и сликите од оваа книшка не можат да произлезат никакви побарувања.

Во ова Упатство за употреба евентуално се опишани модели што не се достапни во секоја земја.

Ова Упатство за употреба е заштитено со авторски права. Сите права се задржани, посебно правото на репродукција, превод и обработка со електронски системи.

2.2 Инструкции за користење на Упатството за употреба

Сликите и текстовите опишуваат определени чекори за ракување.

Сите симболи, кои се прикажани на уредот, се објаснети во Упатството за употреба.

Насока на гледање:

Насока на гледање при користењето „лево“ и „десно“ во Упатството за употреба:

Корисникот стои зад уредот и гледа во насоката на движење напред.

Упатување кон поглавје:

Упатувањата кон соодветните поглавја или поднаслови за дополнителни објаснувања се означени со стрелки. Следниов пример покажува упатување кон едно поглавје: (⇒ 4.)

Означување на текстуалните делови:

Опишаните инструкции може да бидат означени како во примерите кои следат.

Чекори за ракување, за кои е потребна интервенција на корисникот:

- Се разлабавува шрафот (1) со помош на шрафцигер, рачката (2) се активира ...

Општо набројување:

- Употреба на производот на спортски настани или натпревари

Текстови со дополнително значење:

Текстуалните делови со дополнителна важност се обележани со следниве симболи, со цел дополнително да се нагласат во ова Упатство за употреба:



Опасност!

Опасност од незгода и тешки повреди на лица. Неопходно е соодветно постапување или да не се користи.



Предупредување!

Опасност од повреда на лица. Со соодветно постапување може да се избегнат можни или веројатни повреди.



Внимание!

Со соодветно постапување може да се избегнат лесни повреди или материјална штета.



Упатство

Информации за подобро користење на уредот и избегнување можно погрешно ракување.

Текстови поврзани со слики:

Сликите кои ја објаснуваат употребата на уредот, се прикажани на почетокот од Упатството за употреба.

Овој симбол на фотоапарат служи за поврзување на сликите од страниците со слики со соодветниот текстуален дел во Упатството за употреба.



3. Опис на уредот



- 1 Рачка за вклучување на погонот (нанапред)
- 2 Горен дел на рачката
- 3 Рачка за затегнување
- 4 Стартна сајла
- 5 Мотор со внатрешно согорување
- 6 Приклучок за свеќичка
- 7 Заштитно крило
- 8 Заштита на билките од оштетување
- 9 Ножеви за фреза
- 10 Рачка за носење

- 11 Заштитно крило
- 12 Тркала за транспорт
- 13 Блокажа за кочница
- 14 Рачка за деблокирање (тркала за транспорт)
- 15 Навртка за отпуштање (блокажа за кочница)
- 16 Рачка
- 17 Рачка за штелување на гас
- 18 МН 445 R, МН 560, МН 585, МН 685: Рачка за вклучување на погонот (наназад)
- 19 Табличка за моќност на уредот со број на машината

4. За Ваша безбедност

4.1 Општо



При работењето со уредот мора да се почитуваат следниве правила за заштита од незгода.



Пред првото пуштање во употреба на уредот, треба внимателно да се прочита целото Упатство за употреба.

Внимателно чувајте го Упатството за употреба за натамошно користење.

Обрнете внимание на упатствата за употреба и одржување што ќе ги најдете во посебното Упатство за употреба Бензински мотор.

Овие мерки за безбедност се важни за Вашата безбедност, меѓутоа листата не е конечна. Секогаш ракувајте со уредот внимателно и одговорно и имајте

предвид дека корисникот е одговорен за евентуалните незгоди на други лица или нивниот имот.

Запознајте се со контролните елементи и со контролните уреди, како и со начинот на употреба на апаратот. Особено е потребно операторот да знае, колку брзо можат да се запрат работната алатка и моторот на апаратот.

Со уредот смеат да управуваат само лица кои го прочитале Упатството за употреба и се запознаени со начинот на ракување со уредот. Пред првото пуштање во употреба, корисникот треба да добие стручни и практични инструкции. Продавачот или некое друго стручно лице мора да му објасни на корисникот како се користи уредот.

При давањето на инструкции на корисникот треба да му се укаже, дека за работата со уредот се неопходни особена грижливост и концентрација.

Дури и кога ракувате со уредот како што е пропишано, секогаш постојат преостанати ризици.



Опасност по живот од задушување!

Опасност од задушување за деца при играње со материјалот за пакување. Материјалот за пакување задолжително мора да се држи настрана од децата.

Уредот заедно со сите додатоци смее да се дава само на лица кои се упатени или се запознаени со овој модел и со начинот на употреба. Упатството за употреба е дел од уредот и секогаш мора да се предава заедно со неа.

Користете го уредот само кога сте одморени и при добра телесна и душевна состојба. Доколку имате здравствени потешкотии, консултирајте се со Вашиот лекар дали смеете да управувате со уредот. Со уредот не смее да се управува по конзумирање алкохол, дроги или лекарства, кои ги забавуваат реакциите.

Осигурете се дека корисникот физички, сетилно или ментално е способен да ракува со уредот и да работи со него. Доколку корисникот физички, сетилно или ментално е ограничен за оваа способност, тој смее да работи само под надзор или според упатствата од страна на одговорно лице.

Осигурете се дека корисникот е полнолетен или дека согласно националните регулативи под надзор е обучен за професијата.

Внимание – Опасност од незгода!

Мотокултиваторот е наменет само за обработка на почва што служи за сеене, одгледување или нега на растенија. Тој смее да се употребува само како што е опишано во ова Упатство за употреба – да не се користи за други цели! Друга употреба не е дозволена и може да биде опасна. Како последица може да се дојде до повреди или оштетувања на апаратот.

Поради телесната загроеност на корисникот, мотокултиваторот не смее да се употребува за следниве активности (набројувањето не е конечно):

- за работи поврзани со тревници на покриви и на балкони,
- за сечење и за ситнење на делови од дрвја и икастрен материјал.

Со уредот не смеат да се транспортираат предмети, животни или луѓе, особено деца.

Од безбедносни причини забранета е секоја измена на уредот, со исклучок на стручно вградување на прибор и опрема што се одобрени од STIHL, а истото води кон прекин на важноста на гаранцијата. Информации за одобрениот прибор и опрема можете да добиете кај овластениот застапник за STIHL.

Особено се забранува секаква манипулација на уредот, со која се врши промена на мокноста или бројот на вртежите на моторот со внатрешно согорување, т.е. електромоторот.

Потребно е да се биде многу внимателен при употребата на уредот на јавни места, паркови, спортски игралишта, улици и во земјоделски и шумски предели.



Внимание! Опасност по здравјето поради вибрациите! Преголемото оптоварување поради

вибрациите може да доведе до оштетување на кардиоваскуларниот или нервниот систем, особено кај луѓето со кардиоваскуларни проблеми. Доколку почувствувате симптоми што би можеле да се јават како последица од оптоварувањето со вибрации, обратете се кај лекар. Вакви симптоми, кои најчесто се појавуваат во прстите, дланките или на рацете, се на пр. (листата не е целосна):

- отрпнатост,
- болки,
- слабост во мускулите,

- менување на бојата на кожата,
- непријатно скокоткање.

Но, за време на работењето не држете го управувачот стегнато со двете раце на предвидените места.

Работното време планирајте го така што ќе се избегнат поголеми оптоварувања во текот на подолг временски период.

При користење на мотокултиваторот, овозможете паузи во работата и избегнувајте долга употреба на апаратот, бидејќи долготрајните вибрации се штетни по здравјето.

4.2 Ставање гориво – ракување со бензин



Опасно по живот!

Бензинот е отровен и лесно запалив.

Чувајте го бензинот во садови (канистри) наменети и проверени специјално за таа цел. Капачињата за затворање на садовите за бензин треба секогаш добро да се завртат и затегнат. Од безбедносни причини дефектните капачиња треба да се заменат.

Немојте никогаш да користите шишиња од пијалоци или слично за складирање или чување горива и масла како на пример гориво. Луѓе, особено деца, би можеле да се излажат и да се напијат од нив.



Бензинот треба да се чува подалеку од извор на искрење, отворен пламен, постојан оган, извори на топлина и други извори на пламен. Немојте да пушите!

Ставајте гориво само на отворено и не пушете додека полните гориво.

Пред да ставате гориво изгаснете го моторот и оставете го да се олади.

Бензинот се полни пред да се стартува моторот. Додека моторот работи или додека машината е сè уште загреана, капакот од резервоарот не смее да се отвора и не смее да се дополнува гориво.

Не преполнувајте го резервоарот за гориво!

За на горивото да му оставите место да се прошири, никогаш не полнете го резервоарот за гориво над долниот раб од отворот за полнење.



Дополнително, обрнете внимание на податоците во упатството за употреба на мотор со внатрешно согорување.

Доколку бензинот претече, моторот смее да се стартува откако е исчистена површината извалкана со бензин. Треба да се избегнува секој обид за стартување сè додека не исчезне пареата од бензинот (да биде суво).

Секогаш треба да се избрише горивото што ќе претече.

Доколку Ви се истури бензин на облеката, морате да ја преслечете.

Немојте никогаш да ја чувате машината со бензин во резервоарот во затворен простор. Пареата од бензин може да дојде во допир со отворен оган или искри и да се запали.

Доколку треба да го испразните резервоарот, направете го тоа на отворено.

4.3 Облека и опрема



За време на работењето секогаш носете чевли со фан што не се лизга. Немојте никогаш да работите боси или на пример со сандали.



При одржување и чистење, како и при транспорт на уредот, секогаш носете поцврсти ракавици и, доколку имате долга коса, соберете ја и покријте ја (со марама, капа и сл).



При ракувањето со апаратот треба да се носи соодветна и припиена облека, т. е. комбиниран костум, а не работен мантил. За време на работата со апаратот да не се носи шал, машна, накит, ленти или синџирчиња кои висат и никакви други делови од облеката што излегуваат надвор од неа.

Деловите што се вртат можат да ја зафатат или да ја скинат косата, облеката или деловите од облеката. Ова може да предизвика тешки повреди.

4.4 Транспорт на уредот

Задолжително да се користат ракавици, за да се избегнат повреди од остриите и жешки делови на уредот.

Апаратот не смее да се транспортира со вклучен мотор. Пред транспортирање исклучете го моторот, почекајте да се смират работните алатки и извлечете го утикачот за свеќичката.

Апаратот треба да се транспортира само со изладен мотор и без гориво.

Внимателно прочитајте ги упатствата во поглавјето „Транспорт“. Таму е опишано како треба да се подигнува, односно прицврстува уредот. (⇒ 13.)

Секогаш носете го апаратот по двајца – внимавајте на точките за држење.

Користете соодветни помагала за товарење (рампи за товарење, направи за кревање).

Од безбедносни причини, при транспорт и утовар, особено при употреба на рампи за утовар, не смее да се надмине аголот на навалување од 15°.

Уредот и останатите делови од уредот што се транспортираат на транспортната површина се обезбедуваат со соодветно димензионирани средства за прицврстување (ремени, сајли итн.). Уредот никогаш не смее да се транспортира без да се обезбеди.

STIHL препорачува транспортирање на мотокултиваторот со соодветна приколка, т.е. на соодветна површина за транспорт, а не во внатрешноста на возилото (на пр. багажник).

При транспортирање на опремата, треба да се почитуваат регионалните прописи, особено во смисла на безбедноста на товарот и на транспортот на стоките со превозни средства.

4.5 Пред почетокот на работењето

Мора да се осигура дека со уредот управуваат исклучиво лица, кои се запознати со содржината на Упатството за употреба.

Пред пуштањето на апаратот во употреба, се проверува заптивањето на системот за гориво, особено на видливите делови, како што се на пр. резервоарот, капакот на резервоарот, приклучоците за цревото. Во случај на недоволно заптивање или оштетување, бензинскиот мотор не треба да се стартува – **Опасност од пожар!** Пред пуштањето во употреба, апаратот се дава на поправка кај овластениот трговец.

Имајте ги во предвид локалните прописи за времето на работење на градинарските апарати со бензински мотор.

Проверете ја внимателно површината на којашто ќе се работи со апаратот и отстранете ги големите камења, трупците, коските и другите предмети кои апаратот може да ги здроби.

Предметите кои се скриени во почвата (прскалки за тревник, столпчиња, вентили за вода, темели, електрични водови и сл.) пред работењето со апаратот мора јасно да се означат и да се заобиколат. Никогаш не поминувајте преку овие туѓи предмети.

Пред употребата на уредот, неисправните, како и истрошените и оштетени делови, мораат да се заменат. Нечитливите и оштетените предупредувања за опасност на уредот треба да се обноват. Вашиот овластен продавач на STIHL ги има резервните налепници со натписи и сите други резервни делови.

Пред употребата на апаратот, проверете дали утикачот за свеќичка е цврсто и безбедно поставен на свеќичката.

Уредот смее да се користи само кога е во состојба безбедна за работење. Пред секоја употреба треба да се провери,

- дали целиот уред е монтиран како што е пропишано.
- дали заштитните уреди (на пр. рачката на погонот, заштитните лајсни, заштитните капаци, заштитните прекривки, управувачот, заштитната решетка) се во исправна состојба и функционираат правилно. Никогаш немојте да го користите уредот, доколку сигурносните уреди недостасуваат, се оштетени или, пак, се изабени.
- дали работните алатки (ножевите за фрези) и шрафовите за прицврстување, како и имобилизаторите, се на свое место, односно дали се истрошени или оштетени (резови, пукнатини). Истрошените или оштетени делови мора да се заменат.
- дали работните алатки (ножевите за фрези) се монтирани безбедно и цврсто.
- дали функционираат рачките на погонот и дали се избалансирани.
- дали е правилно затворено капачето од резервоарот за гориво.
- дали резервоарот и доводите за гориво, како и капачето на резервоарот се во добра состојба.
- дали е правилно зашрафена завртката за масло.

- дали користената додатна опрема е монтирана на уредот во целина и како што е пропишано. Сите делови за вградување што се вклучени во испорачаната опрема, мора да се блокираат, или пак да се користат.

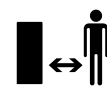
Во случај на потреба да се извршат сите неопходни работи, односно да се обратите кај овластениот застапник. STIHL Ви го препорачува овластениот застапник за STIHL.

Заштитните лајсни лево и десно, се определени на соодветната работна ширина, и постојано мора да бидат правилно монтирани. Доколку кај моделите MH 445 и MH 445 R работната ширина се зголеми со дополнителни ножеви за фреза (Опрема од STIHL), тогаш ќе мора да се монтираат и поголеми заштитни лајсни (испорачани со опремата).

Апаратот треба со помош на тркалата за транспорт да се турка или да се влече до површината што ќе се обработува.

Пред пуштањето во работа, да се отстранат сите други предмети, (алатки, крпи и др.) што се наоѓаат на апаратот.

4.6 За време на работењето



Трети лица треба да се држат настрана од подрачјето на опасност! Никогаш не работете кога во подрачјето на опасност се наоѓаат животни или луѓе, особено деца.

Внимание! За време на работењето предметите како земја, камења и сл. ќе бидат исфрлани во висина, односно настрана.

Со апаратот смее да управува само едно единствено лице. Додека моторот работи, операторот мора да се наоѓа во работната област. (⇒ 10.1)

За време на работата, апаратот никогаш не смее да се подигнува, турка или влече на транспортната рачка, на заштитниот лим или на други делови од апаратот, освен на рачките на управувачот – особено не од страна на друго лице.

Контролните и заштитни механизми, што се инсталирани на апаратот, не смеат да се отстрануваат или да се преместуваат. Особено рачката на погонот, не смее никогаш да се прицврстува на горниот дел на рачката (на пр. со врзување).



Внимание – Опасност од повреди!

Никогаш не доближувајте ги рацете или стапалата на или под деловите што се вртат.

Секогаш држете безбедно растојание со рачките за управување. Безбедното растојание одговара на должината на правилно монтираниот и отворен управувач – Управувачот не треба да се менува и апаратот никогаш да не се пушта во работа со преклопен менувач.

Никогаш не закачувајте предмети на управувачот (на пр. работна облека).

Работете на дневна светлина или при добро вештачко осветлување.

Уредот не смее да се употребува на дожд, невреме и особено не при грмотевици.

Доколку со уредот се работи на влажна подлога, постои зголемена опасност од незгоди.

Мора да се работи многу внимателно,

за да се избегне пролизгување. Доколку е возможно, треба да се избегнува работење на влажна подлога.

Апаратот со монтирани фрези да не се вклучува на асфалтна подлога, плочки и сл.

Употребувајте го уредот со посебна претпазливост, кога работите во близина на падини, рабови од површини, јами и насипи. Посебно внимавајте на доволното растојание од таквите опасни места.

Издувни гасови:



Опасно по живот поради труење!

Во случај на појава на гадење, главоболки, пречки во видот (на пример намалување на видното поле), пречки во слухот, вртоглавица, намалена способност за концентрација, веднаш да се прекине со работа. Овие симптоми може да бидат предизвикани меѓу останатото и поради превисока концентрација на издувни гасови.



Додека моторот работи, апаратот испушта отровни издувни гасови. Овие гасови содржат отровен јаглерод монооксид, гас без боја и мирис, како и други штетни материји. Моторот никогаш не смее да се пушти во функција во затворени или во лошо проветрени простории.

Треба да се внимава на насоката на излегување на издувните гасови од ауспухот. Никогаш не го насочувајте ауспухот кон луѓе.

Стартување:

Внимателно стартувајте го уредот – почитувајте ги упатствата во поглавјето „Вклучување на уредот“ (⇒ 11.). Стартувањето според овие упатства ја намалува опасноста од повреди.

Опасност од повреди!

Кога стартната сајла се враќа брзо, дланката и раката се повлекуваат кон моторот со внатрешно согорување побрзо отколку што може да се отпусти стартната сајла. Со овој повратен удар може да дојде до скршеници на коските, нагмеченици и ишчашувања.

Внимавајте на доволното растојание на стапалата од работните алатки.

При стартувањето на моторот машината не смее да биде во наведната положба.

При стартување не смее да се користи рачката на погонскиот систем.

Работење на стрмни површини:

Стрмните површини секогаш да се обработуваат попречно, никогаш по должина.

Корисникот на стрмни површини никогаш не смее да стои под апаратот кој работи. Доколку ја загуби контролата, би можел да биде прегазен.

Бидете особено внимателни кога на стрмни површини ја менувате насоката на движење.

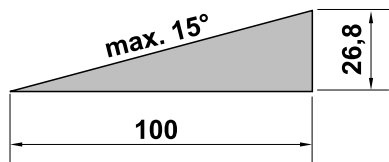
Внимавајте секогаш добро да се поставите кога работите на стрмна површина и избегнувајте работа со уредот на многу стрмни површини.

При работење на стрмни површини, машината може да се преврти. Од безбедносни причини, апаратот не смее да се користи на стрмнини со

косина поголема од 15° (26,8 %).

Опасност од повреди!

Аголот на наклон од 15° одговара на вертикално растојание од 26,8 cm на 100 cm хоризонтална должина.



За да се обезбеди доволно подмачкување на моторот, при употреба на апаратот на стрмнина, треба да се почитуваат дополнителните информации доставени заедно со Упатството за употреба Бензински мотор.

Ракување:



Опасност од повреди!

Никогаш не доближувајте ги рацете или стапалата над, под или до деловите што се вртат.

Заради безбедносни причини, секогаш ракувајте со апаратот со двете раце – двете раце за време на работата секогаш мораат да се наоѓаат на рачките на управувачот. Никогаш немојте да работите со една рака.

Работната длабочина да се регулира само со притискање на блокажата за кочница.

Апаратот треба да се користи со посебна претпазливост на тешко обработлива почва (на пр. камена или тврда) – брзината на вртежите на работните алатки треба да се намали (регулирање на гасот).

Движете го уредот само во темпо на чекорење – немојте никогаш да трчате кога работите со уредот. Доколку со уредот се движите премногу брзо, опасноста од повреди поради сопнување, лизгање и сл. е поголема.

Внимание – Опасност од повреди!

Бидете посебно внимателни и особено внимавајте да има доволно растојанието меѓу работните алатки (ножевите за фрези) и стапалата кога го вртите апаратот, кога го повлекувате кон себе или кога го користите рикверцот.

Внимание – Опасност од сопнување!

При движењето на апаратот наназад да се внимава на пречките зад операторот.

Доколку апаратот се заглавил, да се изгаси моторот и да се извлече утикачот за свеќичката. Секогаш носете го и пуштете го апаратот со помош на уште едно лице.

Исклучете го моторот,

- ако машината мора да се наведне заради транспортирање,
 - ако машината се турка или се влече од и кон површината на којашто се работи,
 - ако се оддалечувате од апаратот, односно кога тој не е под надзор,
 - пред да дополните гориво. Ставајте гориво само кога моторот е изладен.
- Опасност од пожар!**
- ако машината се турка или се влече од и кон површината на којашто не се работи.

Изгасете го моторот со внатрешно согорување и извлечете го приклучокот за свеќичка,

- пред да ги ослободите блокадите,

- пред да го подигнете и носите уредот,
- пред да го транспортирате уредот,
- пред да вршите проверка, пред да го чистите уредот или пред да извршите други работи на него (на пр. преклопување на управувачот, расклопување на транспортните тркала),
- кога ќе удриете во туѓо тело или доколку уредот почне ненормално силно да вибрира. Пред повторно да го стартувате уредот и да работите со него, проверете дали има оштетување на неа, пред сè на работните алатки (ножевите за фрезите, зацврстувањето на ножевите за фрезите, погонското вратило) и извршете ги неопходните поправки.



Опасност од повреди!

Силното вибрирање по правило е знак за неисправност. Не смее да се работи со мотокултиваторот со оштетено или свиткано погонско вратило, т.е. со оштетени работни алатки. Доколку немате доволно познавања, препуштете ги потребните поправки на стручно лице – STIHL го препорачува овластениот застапник на STIHL.

4.7 Одржување и поправки

Пред почетокот на работите на чистење, нагодување, поправка и одржување:

- Одложете го уредот на цврста и рамна подлога,

- Изгаснете го моторот со внатрешно согорување и оставете го да се излади,

- Извлечете го приклучокот за свеќичката.



Внимание – Опасност од повреди!

Приклучокот за свеќичка држете го настрана од свеќичката, ненамерното искрење може да доведе до пожари или струјни удари.

Ненамерниот контакт на свеќичката со приклучокот за свеќичка може да доведе до несакано стартување на моторот со внатрешно согорување.

За чистење или одржување, апаратот се поставува само одзади. Доколку апаратот се постави странично или однапред, може да дојде до оштетувања на моторот или на другите делови од апаратот, што со себе повлекува големи трошоци за поправка.

Треба да се почека апаратот да се излади, особено пред одржување во подрачјето на менувачот, моторот, издувното грло и ауспухот. Може да бидат постигнати температури од 80° C и повеќе. **Опасност од изгореници!**

Директниот контакт со моторно масло може да биде опасен, освен тоа моторното масло не смее да се истура. STIHL препорачува полнењето односно менувањето на моторното масло да му се препушти на овластен застапник на STIHL.

Редовно правете проверка на целиот апарат, особено пред да го складирате (на пр. пред паузата во зимскиот период), за да утврдите дали некој дел е изабен и оштетен. Од безбедносни причини веднаш мора да се заменат

истрошените или оштетените делови, за апаратот секогаш да биде во безбедна работна состојба.

Чистење:

По секоја употреба целиот уред мора добро да се исчисти. (⇒ 12.2)

Заглавените остатоци да се отстранат со помош на дрвено стапче. Долната страна на уредот да се чисти со четка и вода.

Не употребувајте агресивни средства за чистење. Тие можат да го оштетат материјалот или металот, со што би се оневозможила безбедна работа на Вашиот STIHL-уред.

Долниот дел од апаратот (сите делови што се наоѓаат под заштитниот лим) смее да се чисти со помош на чистач со висок притисок, т.е. пареа. Треба да се одржува растојание од најмалку 1 m, а водениот млаз никогаш не треба да се насочува директно на депоата или дихтунзите – особено не на дихтунгот помеѓу кутијата за менувач и заштитниот лим.

За да се избегне опасност од пожар, треба отворите за воздухот за ладење, радијаторите и делот кај издувната цевка да не дојдат во допир со на пр. трева, слама, плевел, листови или истечено масло.

Одржување:

Дозволено е да ги вршите само оние активности за одржување, кои се наведени во ова Упатство за употреба, сите останати работи треба да ги врши овластен застапник.

Доколку немате соодветно познавање и помошни средства, **секогаш** обратете се кај овластениот застапник.

STIHL препорачува одржувањето и поправките да ги извршува само

овластен застапник на STIHL. Овластените застапници на STIHL редовно посетуваат обуки и ги имаат на располагање сите технички информации.

При поправките треба да се употребува само алат, прибор или додатни уреди, кои се одобрени од STIHL за овој уред или се технички слични делови, во спротивно постои опасност од незгоди и може да дојде до повреди кај луѓето или до оштетување на уредот. Доколку имате прашања обратете се му се на овластениот застапник.

Според своите карактеристики, оригиналниот алат, прибор и резервни делови од STIHL се оптимални за уредот и се прилагодени на барањата од страна на корисникот. Оригиналните резервни делови од STIHL можат да се препознаат по STIHL-бројот на резервниот дел, по натписот STIHL и по STIHL-ознаката на резервниот дел. На помалите делови може да стои само знакот.

Од безбедносни причини, редовно треба да се проверуваат деловите кои имаат допир со горивото (водот за гориво, вентилот за гориво, резервоарот, затворачот од резервоарот, приклучоците и сл.), за да се види дали се оштетени и дали дихтуваат и, по потреба, да се заменат од страна на стручно лице (STIHL го препорачува овластениот застапник на STIHL).

Налепниците со предупредувања и упатства треба секогаш да бидат чисти и читливи. Оштетените или изгубените налепници треба да се заменат со нови, оригинални ознаки од Вашиот овластен

застапник за STIHL. Доколку еден дел биде заменет со нов, внимавајте новиот дел да ја има истата налепница.

Секогаш внимавајте навртките, клиновите и штрафовите да бидат добро затегнати, за управувањето со апаратот да биде безбедно.

Никогаш не го менувајте основното нагодување на моторот и не поставувајте преголем број вртежи.

Доколку при зафатите за одржување се извадат некои составни или заштитни делови, тие треба повторно да се монтираат на своите места според упатствата.

При замената на работните алатки (ножевите за фрези), треба да се обрне внимание на типот и комбинацијата на ножот за фреза – дозволени се само варијанти, одобрени од STIHL.

4.8 Складирање за време на подолги паузи во употребата

Пред да го внесете уредот во затворена просторија, почекајте моторот да се излади.

Машината треба да се чува во затворена и добро проветрена просторија со испразнет резервоар.

Обезбедете заштита од нестручно ракување на уредот (на пр. од страна на деца).

Немојте никогаш да ја чувате машината со бензин во резервоарот во затворен простор. Пареата од бензин може да дојде во допир со отворен оган или искри и да се запали.

Доколку резервоарот за гориво треба да се испразни, пред складирањето за зимската пауза, празнењето треба да се изврши исклучиво на отворен простор (на пр. со пуштање на моторот).

Пред складирање (на пр. пауза во зимскиот период) уредот треба темелно да се исчисти.

Машината да се складира исклучиво со извлечен приклучок за свеќичка.

Уредот треба да се чува во безбедна состојба.

Пред да го покриете уредот, почекајте сосема да се излади.

4.9 Отстранување

Отпадните материјали како старо масло или гориво, употребено средство за подмачкување, филтри, акумулатори и слични потрошни делови можат да бидат штетни за луѓето, животните и животната средина и затоа мора да се отстранат на стручен начин.

Обратете се во Центарот за рециклирање или кај Вашиот овластен застапник, за информации во врска со стручното отстранување на отпадните материјали. STIHL Ви го препорачува овластениот застапник за STIHL.

Погрижете се истрошената машина да се отстрани на стручен начин. Обрнете внимание на податоците од поглавјето „Заштита на животната средина“. (⇒ 14.)

5. Опис на симболите

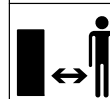


Внимание! – Опасност од повреди!

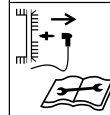
Пред пуштањето во употреба, треба да се прочитаат и да се земат во предвид Упатството за употреба и напомените за безбедност.



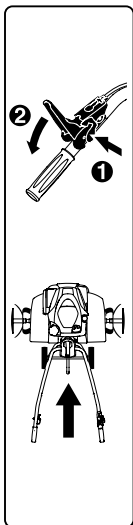
Вртливи работни алатки: Рацете и нозете да се држат подалеку од вртливите работни алатки. Да се работи само со заштитни прекривки.



Сигурносното растојание треба да се почитува.

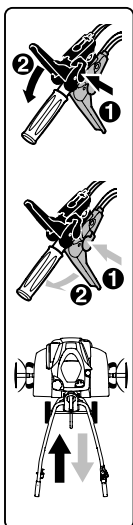


Пред работите на одржување и чистење да се извлече утикачот за свеќичката.



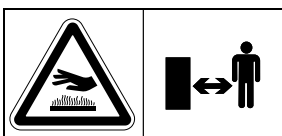
МН 445:

Пред употреба на рачката за вклучување на погонот, од безбедносни причини најпрво мора да се притисне соодветната рачка за деблокирање. Со тоа се избегнува ненамерно активирање на рачката за вклучување на погонот.



МН 445 R, МН 560, МН 585, МН 685:

Пред употреба на рачката за вклучување на погонот, од безбедносни причини најпрво мора да се притисне соодветната рачка за деблокирање. Со тоа се избегнува ненамерно активирање на рачката за вклучување на погонот. Црната рачка за вклучување на погонот е за предна брзина, а црвената за рикверц.



Опасност од изгореници!

Да не се допираат жешките површини.
Кутијата за менувач се загрева.

6. Обем на испорака



Поз.	Опис	Кол.
A	Основен уред	1
B	Управувач	1
C	Рачка за затегнување	1
D	Тркала за транспорт	1
E	Блокажа за кочница	1
F	Лево заштитно крило	1
G	Десно заштитно крило	1
H	МН 445, МН 445 R: Нож за фреза	4
I	МН 560, МН 585, МН 685: Фреза со двојни ножеви	2
J	МН 585, МН 685: Фреза со единечни ножеви	2
K	Заштитен прстен	2
L	Заштита на билките од оштетување	2
M	Рачка за вклучување на погонот (напред) црна	1
N	МН 445 R, МН 560, МН 585, МН 685: Рачка за вклучување на погонот (назад) црвена	1
O	МН 445: Сигурносна навртка М6	1
P	МН 445: Поклопец	1
Q	Сигурносна навртка М6	1

Поз.	Опис	Кол.	EN
R	Шраф со заоблена глава М6	1	EN
S	МН 445, МН 445 R, МН 585, МН 685: Клин со стега 10x40	6	NO
	Клин со стега 10x40	4	SV
T	Шраф со заоблена глава М8	2	FI
U	Шестоаголна навртка М8	2	DA
V	Кабелска врска	2	SK
-	Упатство за употреба	1	TR
-	Упатство за употреба	1	HU
-	Мотор со внатрешно согорување	1	SR
-	МН 560, МН 585, МН 685: Клуч за свејичка	1	HR
			BG
			UK
			ET
			MK

7. Оспособување на уредот за работа

7.1 Напомени за монтирање



Опасност од повреди!

Внимателно прочитајте ги безбедносните напомени во поглавјето „За ваша безбедност“ (⇒ 4.) Од особена важност е да го извлечете утикачот за свеќичка и да носите цврсти ракавици додека работите на ножевите за фрези.

Обрнете внимание на спецификациите за вртежниот момент!

Погонските сајли и протокот на гас треба да се постават и прикачат само како што е опишано.

Погрешно монтираните сајли (на пр. погрешното поставување или прикачување во погрешна погонска рачка) може да предизвикаат дефекти.

- Сите опишани работи треба да се извршуваат на чиста, хоризонтална, рамна и цврста подлога.
- Обрнете внимание на положбата при монтирањето – секогаш треба да се внимава на стабилната и сигурна положба на уредот.

- Точно придржувајте се до упатствата за монтирање на сајлата, особено на зацврстувањето на сите сајли со **кабелски врски** на управувачот, за да се избегнат оштетувања на уредот (на пример кај превиткување на управувачот) или можните дефекти.

Рачка за вклучување на погонот, погонски сајли

МН 445:

- Црна рачка за вклучување на погонот на горната страна на управувачот.
- Сајла за погон (напред).

МН 445 R, МН 560, МН 585, МН 685:

- Црна рачка за вклучување на погонот на горната страна на управувачот.
- Црвена рачка за вклучување на погонот на долната страна на управувачот.
- Сајла за погон (напред). Сајлата за погон е опремена со **црно капаче** и треба да се прикачи на црната рачка за вклучување на погонот.
- Сајла за погон (назад). Сајлата за погон е опремена со **црвено капаче** и треба да се прикачи на црвената рачка за вклучување на погонот.

7.2 Монтирање на тркалата за транспорт



- Положба за монтирање: Основниот апарат (А), како што е прикажано на сликата, се поместува напред, а за стабилизирање, на двете погонски оски се поставуваат соодветни дрвени подлоги (1) (висина 50 - 60 mm, ширина/должина околу 100 mm).
- **1** Стегачот за држење (2) се притиска нагоре и се држи.
- **2** Тркалата за транспорт (D) се поставуваат во засеците (3) на навртката од рачката за деблокирање (4).
- Тркалата за транспорт (D) до крај се притискаат нагоре и се држат.
- **3** Стегачот за држење (2) се притиска надолу. Штрафовите (Т) ха двете страни се поставуваат одоздола.
- **4** Стегачот за држење (2) се зацврстува со навртување на двете завртки (U).

7.3 Монтирање на блокажата за кочница



- Положба за монтирање: види „Монтирање на тркалата за транспорт“ (⇒ 7.2)
- Навртката за отпуштање (1) се притиска и се држи.
- Блокажата за кочница (E) одоздола се поставува во адаптерот (2) и се турка до крај нагоре.

- Навртката за отпуштање (1) се пушта и блокажата за кочница (E) се повлекува надолу, сè додека не се затвори.
- Се проверува сигурната положба на блокажата за кочница (E).

7.4 Монтирање на управувачот



- **1** Положба за монтирање: види „Монтирање на тркалата за транспорт“ (⇒ 7.2)
- Се вади гумената лента (1).
- **2** Конзолата (2) се крева и се држи.
- **3** Управувачот (B) се поставува централно помеѓу конзолата (2) и долниот дел на рачката (3) до крај и се држи. Краците на пружината (4) мора да поминуваат по должината на запирањето (5). Контролирајте ја прикажаната позиција на пружината (4) во елементот за нагдување (6), по потреба прикачете ја пружината.
- **4** Шрафот (7) се зацврстува.
- **5** Навртката (8) на рачката за затегнување (C) се одвртува и се вади со пружината (9).
- Рачката за затегнување (C) со помош на вградениот штраф се турка од горе преку конзолата (2) и долниот дел на рачката (3). Пружината (9) се турнува на рачката за затегнување (C). Завртката (8) се навртува со едно до две вртења.



Напомена!

Рачката за затегнување (C) се монтира така што за да се затегне мора да биде притисната напред кон моторот со внатрешно согорување.

- **6** Се избира централна позиција на горниот дел на рачката (3). (⇒ 11.3)
- Рачката за затегнување (C) со рака се притиска напред.
- Завртката (8) се навртува со 5 Nm (не до крајот).
- Проверка на прицврстувањето: Монтирањето на рачката за затегнување (C) се одвива правилно, кога рачката за затегнување може да се активира со рака и притоа управувачот цврсто е фиксиран на основниот апарат.
- Прилагодување на силата на стегање: Доколку управувачот не е доволно стегнат или рачката за затегнување не може да се активира со рака, таа треба да се разлабави и силата на стегање да се прилагодува со навртување, односно одвртување на завртката (8). Рачката за затегнување потоа одново се притиска напред.



Опасност од повреди!

Уредот смее да се турка, односно влече, само со цврсто фиксиран управувач на основниот уред (управувачот не смее да биде лабав во состојба на мирување).

7.5 Исправање на управувачот



- Рачката за затегнување (1) се повлекува нагоре. Горниот дел на рачката (2) се преклопува во насока на стрелката.
- Рачката за затегнување (1) се притиска до крај напред.
- Се поставува висината на управувачот. (⇒ 11.2)

7.6 Монтирање на заштитните крила



- Претходно монтираните штрафови (1) во заштитните крила (F, G) се проверуваат – не се одвртуваат целосно.
- Мотокултиваторот се поставува во положба за чистење. (⇒ 12.2)
- Левото заштитно крило (F) со трите претходно монтирани штрафови (1) се става во трите отвори (2) на капакот.
- Заштитното крило (F) се поместува напред и се држи.
- Штрафовите (1) се навртуваат и се стегаат со 10 - 12 Nm.
- Проверете ја безбедната поставеност на заштитното крило (F) и потоа монтирајте го десното заштитно крило (G) на истиот начин.

7.7 Монтирање на фрезата МН 445, МН 445 R



- Мотокултиваторот се поставува во положба за чистење. (⇒ 12.2)



Точно придржувајте се до упатството за монтирање. Особено внимавајте на редоследот и монтирајте ги ножевите за фрези и клиновите како што е опишано. При монтирањето на стегата на клиновите, внимавајте на насоката и начинот на ставање на стегата, прикажани на сликата. Во случај на погрешно, т.е. извртено монтирање, стегата на клиновите може сама да се разлабави и да се загуби.

За добри работни резултати, сечивата на ножевите за фрезата мораат да покажуваат нанапред (не кон управувачот) – обрнете внимание на обележувањата со стрелки.

Дефинирање на фрезите:

- Нож за фреза (1): ист надворешен дијаметар на спојката (2).
- Нож за фреза (3): различен надворешен дијаметар на спојката (4).

1

- Заштитниот прстен (К) се става на погонската оска до крај (5). Засеците на заштитниот прстен мораат да се постават на трите запци од кутијата за менувачот (6).
- Ножот за фреза (1) се позиционира така, што **пократката** спојка (2) покажува кон кутијата за менувач, а сечилата (7) се насочени нанапред. Стрелките (8) на ножот за фреза и стрелката (9) на кутијата за менувач (6) мораат да покажуваат во истата насока.

- Ножот за фреза (1) се поместува на погонската оска (5).
- Ножот за фреза (1) се свртува така, што отворите на спојката и на погонската оска се совпаѓаат.

2

- Клиноот со стега (S) се поставува низ отворите и се затега стегата.

3

- Ножот за фреза (3) се позиционира така, што **помалиот** надворешен дијаметар на спојката (4) покажува кон веќе монтираниот нож за фреза (1), а сечилата (7) се насочени нанапред. Стрелките (8) на ножот за фреза и стрелката (9) на кутијата за менувач (6) мораат да покажуваат во истата насока.

- Ножот за фреза (3) се поставува на веќе монтираната фреза (1).

- Ножот за фреза (3) се свртува така, што отворите на двете фрези се совпаѓаат.

4

- Клиноот со стега (S) се поставува низ отворите и се затега стегата.
- По потреба се монтира заштита на билките од оштетување. (⇒ 7.9)
- Монтирањето на ножот за фреза се повторува на другата страна.

7.8 Монтирање на фрезата МН 445, МН 585, МН 685



- Мотокултиваторот се поставува во положба за чистење. (⇒ 12.2)



Точно придржувајте се до упатството за монтирање. Особено внимавајте на редоследот и монтирајте ги ножевите за фрези и клиновите како што е опишано. При монтирањето на стегата на клиновите, внимавајте на насоката и начинот на ставање на стегата, прикажани на сликата. Во случај на погрешно, т.е. извртено монтирање, стегата на клиновите може сама да се разлабави и да се загуби.

За добри работни резултати, сечивата на ножевите за фрезата мораат да покажуваат нанапред (не кон управувачот) – обрнете внимание на обележувањата со стрелки.

Дефинирање на фрезите:

- Нож за фреза (I): Фреза со двојни ножеви.
- Нож за фреза (J): Фреза со единечни ножеви.

1 МН 560, МН 585, МН 685

- Заштитниот прстен (К) се става на погонската оска до крај (1). Засеците на заштитниот прстен мораат да се постават на трите запци од кутијата за менувачот (2).
- Ножот за фреза (I) се позиционира така, што **пократката** спојка (3) покажува кон кутијата за менувач, а сечилата (4) се насочени нанапред. Стрелките (5) на ножот за фреза и стрелката (6) на кутијата за менувач (2) мораат да покажуваат во истата насока.
- Ножот за фреза (I) се поместува на погонската оска (1).

- Ножот за фреза (I) се свртува така, што отворите на спојката и на погонската оска се совпаѓаат.

2 МН 560, МН 585, МН 685

- Клинот со стега (S) се поставува низ отворите и се затега стегата.

3 МН 585, МН 685

- Ножот за фреза (J) се позиционира така, што **помалиот** надворешен дијаметар на спојката (7) покажува кон веќе монтираниот нож за фреза (I), а сечилата (4) се насочени нанапред. Стрелките (5) на ножот за фреза и стрелката (6) на кутијата за менувач (2) мораат да покажуваат во истата насока.

- Ножот за фреза (J) се поставува на веќе монтираната фреза (I).

- Ножот за фреза (J) се свртува така, што отворите на двете фрези се совпаѓаат.

4 МН 585, МН 685

- Клинот со стега (S) се поставува низ отворите и се затега стегата.

МН 560, МН 585, МН 685

- По потреба се монтира заштита на билките од оштетување. (⇒ 7.9)
- Монтирањето на ножот за фреза се повторува на другата страна.

7.9 Монтирање на заштитата на билките од оштетување



При монтирањето на стегата на клиновите, внимавајте на насоката и начинот на ставање на стегата, прикажани на сликата. Во случај на погрешно, т.е. извртено монтирање, стегата на клиновите може сама да се разлабави и да се загуби.

- Заштитата на билките од оштетување (L) се поставува на надворешниот нож за фреза. Заштитата на билките од оштетување се свртува така, што отворите на дискот и на ножот за фреза се совпаѓаат.
- Клинот со стега (S) се поставува низ отворите и се затега стегата.
- Процесот се повторува на другата страна.

7.10 Монтирање на рачките за вклучување на погонот



- Обрнете внимание на напомените за монтирање. (⇒ 7.1)
- Црната рачка за вклучување на погонот (M) со помош на вградениот шраф (1) од горе, низ отворот, се става во горниот дел на рачката.
- МН 445:
Сигурносната навртка (O) се навртува и се стега со 7 - 9 Nm. Се поставува поклопецот (P).

- МН 445 R, МН 560, МН 585, МН 685:
Црвената рачка на погонот (N) се поставува така, што шрафот од црната рачка може да се зашрафи во монтираната навртка во црвената рачка.
Црвената рачка на погонот (N) се притиска нагоре во управувачот. Шрафот (1) се навртува и се стега со 7 - 9 Nm.

7.11 Поставување на сајлите за погон



- Обрнете внимание на напомените за монтирање. (⇒ 7.1)
- **1** Сајлата за погон (нанапред) (1) се одмотува и се прикачува во држачот (2).
- **2** Навртката (3) се зацврстува со 2 - 4 Nm.
- Сајлата за погон (нанапред) (1) се влече нагоре на следниот начин:
A Сајлата за погон (нанапред) (1) се влече над горниот дел на рачката (4).
B Сајлата за погон (нанапред) (1) се поставува под попречната прачка (5) на горниот дел на рачката.
- МН 445 R, МН 560, МН 585, МН 685:
Сајлата за погон (наназад) (6) се поставува на десната страна од моторот со внатрешно согорување, под рачката за свртување (7). Сајлата за погон на управувачот се влече нагоре, како кај сајлата за погон (нанапред).

7.12 Прикачување на сајлата за погон



- Обрнете внимание на напомените за монтирање. (⇒ 7.1)

Сајла за погон (нанапред):

- Врвот (1) на сајлата за погон со црното капаче (2) се поставува на црната рачка за вклучување на погонот (M).
- Врвот (1) се протнува низ отворот (3) на рачката (4). Притоа, по потреба може да се употреби соодветна клешта.
- Со соодветната клешта се повлекува на врвот (1) и тој, како што е прикажано на сликата, се прикачува во рачката (4).
- Капачето (2) се притиска на рачката на погонот (4) и се затвора.
- **Проверка на функцијата:**
Активирање на рачката за вклучување на погонот. (⇒ 8.2)
Рачката на погонот мора да биде избалансирана.


Сајла за погон (наназад)

МН 445 R, МН 560, МН 585, МН 685:

- Врвот на сајлата за погон со црвеното капаче се поставува на црвената рачка за вклучување на погонот.
- Другиот дел од монтажата е идентичен со монтажата на сајлата за погон (нанапред).

7.13 Поставување и монтирање на сајлата за гас



- Обрнете внимание на напомените за монтирање. (⇒ 7.1)
- Сајлата за гас (1) се одмотува и се поставува на следниот начин:
Сајлата за гас се влече над горниот дел на рачката (2).
 Сајлата за гас се поставува под попречната прачка (3) на горниот дел на рачката.
- Штрафот (Т) се вметнува во отворот од куќиштето на сајлата за гас (4). Куќиштето на сајлата за гас со ставениот штраф одвнатре се поставува на горниот дел на рачката и се држи. Сигурносната навртка (U) се навртува и се затега со 7 - 9 Nm.

7.14 Прицврстување на сајлите на управувачот



- Обрнете внимание на напомените за монтирање. (⇒ 7.1)
- МН 445:
Погонот на сајлите (1) со кабелско поврзување (V) се зацврстува на десната страна на горниот дел на рачката.
- МН 445 R, МН 560, МН 585, МН 685:
Двата погони на сајлите (1, 2) со кабелско поврзување (V) се зацврстуваат на десната страна на горниот дел на рачката.
- Погонот на гас (3) со кабелско поврзување (V) се зацврстува на левата страна на горниот дел на рачката.

- Треба да се провери безбедната поставеност на кабелските врски. Се отсекува делот од кабелските врски што виси.

7.15 Гориво и моторно масло



Избегнувајте оштетување на апаратот!

Пред првото стартување, се става моторно масло. За ставање на моторно масло, т.е. за полнење гориво, да се користи соодветен прибор за полнење (на пр. кратер).

Моторно масло:

Податоци за моторното масло коешто се користи и количината на масло треба да се најдат во Упатството за употреба Бензински мотор.

Треба редовно да се контролира состојбата на наполнетост (види Упатство за употреба Бензински мотор).

Треба да се избегнува пониско и повисоко ниво на масло од пропишаното.

Пред пуштање во употреба, капачето на резервоарот за масло на моторот треба соодветно да се зацврсти.

Гориво:

Препорака:
нови брендирано гориво,
безоловен бензин.

Податоци за квалитетот на горивото (октански број) треба да се најдат во Упатството за употреба Бензински мотор.



8. Контролни елементи

8.1 Рачка за штелување на гас

Со рачката за штелување на гас (1) може да се регулира бројот на вртежите на моторот.



Стартна позиција:

- Рачката за штелување на гас (1) се повлекува до крај **назад**.
- Моторот може да се стартува. (⇒ 11.6)

Позиција за запирање:

- Рачката за штелување на гас (1) се турка до крај **напред** (внимавајте на степенот на запирањето).
- По неколку секунди, моторот престанува да работи.

Регулирање на бројот на вртежите:

- Рачката за штелување на гас (1) се поместува додека моторот работи.

Број на вртежи на моторот:

Брзо



Бавно



8.2 Рачка за вклучување на погонот



Со активирање на рачката за вклучување на погонот (1,3), додека моторот работи, погонот се вклучува, т.е. исклучува – погонската оска почнува да се врти, т.е. запира.

Со **црната** рачка за вклучување на погонот (напред) (1) мотокултиваторот почнува при контакт со почвата и монтирани фрези да се движи **напред**.

Со **црвената** рачка за вклучување на погонот (назад) (3) мотокултиваторот почнува при контакт со почвата и монтирани фрези да се движи **назад**.

Рачките за вклучување на погонот механички се затвораат од безбедносни причини, за да се избегне ненамерно вклучување. (⇒ 9.1)
Понатаму, кај моделите МН 445 R, МН 560, МН 585, МН 685 поради механичко обезбедување може да се притиска само една рачка за вклучување на моторот – или рачката за вклучување на погонот (напред) или рачката за вклучување на погонот (назад).



Избегнувајте оштетување на уредот!

Рачката за вклучување на погонот треба да се активира брзо и промптно, не ја оставајте во полупритисната положба – избегнувајте големо трошење на ременот.

Активирање на рачката за вклучување на погонот (напред):



- **1** Рачката за деблокирање (2) се притиска до крај кон рачката за вклучување на погонот (напред) (1) и се држи.
- **2** Рачката за вклучување на погонот (напред) (1) се притиска брзо до крај и се држи.
- Рачката за деблокирање (2) се пушта. Погонот е вклучен и погонската оска се врти.
- **3** Исклучување на погонот: Рачката за вклучување на погонот (напред) (1) се пушта.

Активирање на рачката за вклучување на погонот (назад) (МН 445 R, МН 560, МН 585, МН 685):



- **1** Рачката за деблокирање (4) се притиска до крај кон рачката за вклучување на погонот (назад) (3) и се држи.
- **2** Рачката за вклучување на погонот (назад) (3) се притиска брзо до крај и се држи.
- Рачката за деблокирање (4) се пушта. Погонот е вклучен и погонската оска се врти.
- **3** Исклучување на погонот: Рачката за вклучување на погонот (назад) (3) се пушта.

9. Сигурносни системи

Уредот е опремен со повеќе заштитни уреди, заради безбедна употреба и за заштита од несоодветно користење.



Опасност од повреди!

Заштитните уреди не смеат да се отстрануваат, да се премостуваат, да се менуваат или оштетуваат. Во случај кога кај некој заштитен уред ќе се утврди таков дефект, уредот не смее да се стави во функција. Контакттирајте со овластен застапник, STIHL го препорачува овластениот застапник на STIHL.

9.1 Заклучување на рачката за вклучување на погонот

Рачката за вклучување на погонот механички се затвораат од безбедносни причини, за да се избегне ненамерно активирање.

За да може да се активира рачката за вклучување на погонот, најпрво треба да се притисне релевантното копче за деблокирање. (⇒ 8.2)

9.2 Заштитни уреди

Мотокултиваторот е опремен со заштитни уреди, коишто спречуваат ненадгледуван контакт со работните алатки и нудат заштита од високо исфрлените предмети. Тука спаѓаат страничните заштитни лајсни, заштитниот лим и соодветно монтираниот управувач.

10. Упатство за работа

10.1 Работно подрачје на операторот



- За време на работењето (при активиран мотор), од безбедносни причини операторот секогаш мора да се наоѓа во работното подрачје (сива површина 1).
- Со мотокултиваторот смее да работи исклучиво едно лице, трети лица треба да се држат подалеку од опасното подрачје. (⇒ 4.)

10.2 Работна позиција на апаратот



- Мотокултиваторот смее да се стартува само кога е исправен на подлога (моторот горе). За време на работењето мотокултиваторот мора, колку што е можно, да се води во хоризонтална линија и треба да се избегнува силно навалување или превртување.

10.3 Комбинации на фрезите



На левата и на десната погонска оска секогаш се монтира ист број на фрези.

Заштитата на билките од оштетување може да се монтира кај сите опишани комбинации на фрези. Тој ги штити околните растенија – на пр. при култивирање во тесна леја.

Можни комбинации МН 445, МН 445 R:

- 2 Ножеви за фреза:
Фреза со еден нож по погонска оска
- 4 Ножеви за фреза:
Фреза со двојни ножеви по погонска оска

Можни комбинации МН 560:

- 2 Ножеви за фреза:
една фреза со двојни ножеви по погонска оска

Можни комбинации МН 585, МН 685:

- 2 Ножеви за фреза:
една фреза со двојни ножеви по погонска оска
- 4 Ножеви за фреза:
една фреза со двојни ножеви и една фреза со еден нож по погонска оска

10.4 Идеална положба на телото за време на работата



Идеалната положба на телото за време на работата помага против брзо заморување.

Затоа апаратот треба да се постави така (нагодување на висината на управувачот, нагодување на клинот за забавување), што за целото време на работење ќе се зазема исправена положба на телото (грбот).

Идеална положба на телото:

- исправен грб
- исправени нозе
- подлактиците малку навалени надолу

11. Активирање на уредот

11.1 Мерки за подготовка



Опасност од повреди!

Обрнете внимание на безбедносните напомени во поглавјето „За ваша безбедност“ (⇒ 4.) и запознајте се со контролните елементи на мотокултиваторот. (⇒ 8.)

- Проверувајте ја состојбата со моторно масло и полнете. (⇒ 7.15)

11.2 Нагодување на висината на горниот дел на рачката



Горниот дел на рачката може да се нагодува во висина.

- Се отвораат тркалата за транспорт. (⇒ 11.4)
- Со една рака цврсто се фаќа и се држи горниот дел на рачката (1) за ракофатот (2).
- Со другата рака, рачката за затегнување (3) се повлекува наназад и се држи.
- Горниот дел на рачката (1) се поставува во саканата позиција.
- Рачката за затегнување (3) се притиска нанапред и се внимава на тоа, горниот дел на рачката да биде целосно блокиран и фиксиран.
- По потреба, тркалата за транспорт се склопуваат. (⇒ 11.4)

11.3 Странично нагодување на управувачот



Управувачот може странично да се постави во 3 позиции.

- Се отвораат тркалата за транспорт. (⇒ 11.4)
- Горниот дел на рачката цврсто се држи за ракофат.
- Рачката за затегнување (1) со рака се повлекува нагоре.
- Управувачот се поставува во саканата позиција. Притоа треба да се внимава на тоа, забецот (2) да се наоѓа над едниот од трите отвори за прицврстување (3).
- Рачката за затегнување (1) со рака се притиска нанапред и се прицврстува управувачот.
- Се проверува фиксираната положба на управувачот.
- По потреба, тркалата за транспорт се склопуваат. (⇒ 11.4)

11.4 Отворање и затворање на тркалата за транспорт



Со помош на тркалата за транспорт, со туркање или со влечење, може да се транспортира мотокултиваторот.



Опасност од повреди!

Кога тркалата за транспорт се наоѓаат во работна позиција (склопени нагоре) и се притиска рачката за деблокирање, тркалата за транспорт сами можат да се спуштат во подесувањето за превезување.

Расклопување на тркалата за транспорт – Подесување за превезување:

- Тркалата за транспорт (1) лесно се подигнуваат со едната рака и се држат.
- Се притиска рачката за деблокирање (2).
- Тркалата за транспорт (1) до крај се склопуваат надолу и се пушта рачката за деблокирање (2). Тркалата за транспорт се затвораат и се фиксираат.

Склопување на тркалата за транспорт – работна позиција:

- Со една рака, тркалата за транспорт (1) се држат и се ослободуваат со лесно кревање.
- Рачката за деблокирање (2) се притиска и тркалата за транспорт се преклопуваат нагоре.
- Рачката за деблокирање (2) се пушта и тркалата за транспорт до крај се склопуваат нагоре. Тркалата за транспорт се затвораат и се фиксираат во работна позиција.

11.5 Нагодување на висината на блокажата за кочница



Со блокажата за кочница се регулира отпорот за време на обработката на почвата, а со тоа и брзината на движењето за време на фрезирањето. За подобро регулирање, блокажата за кочница може да се нагодува во 3 нивоа.

Нагодување на висината на блокажата за кочница:

- Тралата за транспорт се расклопуваат во подесувањето за превезување. (⇒ 11.4)
Обрнете внимание на стабилната и сигурна положба на апаратот.
- Навртката за отпуштање (1) се притиска и се држи.
- Блокажата за кочница (2) се поставува во саканата позиција.
- Навртката за отпуштање (1) се пушта и се внимава блокажата за кочница да се затвори.

11.6 Стартување на моторот со внатрешно согорување



- Рачката за штелување на гасот се поставува во положба за стартување. (⇒ 8.1)
- Рачката на стартната сајла (1) цврсто се опфаќа со едната рака и се држи.
- Стартната сајла (1) полека се извлекува до појавата на компримиран отпор. Потоа силно, брзо и во еден потег се повлекува, онолку колку што е долга. Стартната сајла (1) полека се враќа назад, за да може одново полека да се намота. Постапката се повторува сè додека моторот со внатрешно согорување не запали.

11.7 Исклучување на моторот

- За да се исклучи моторот, рачката за штелување на гас треба да се постави во стоп-положба. (⇒ 8.1)
Моторот, кратко по времето на прекинување, сосема се смирува.

11.8 Вклучување и исклучување на погонот (нанапред)

Вклучување на погонот (нанапред):

- Мотокултиваторот со изгасен мотор се пренесува до површината што ќе се обработува. (⇒ 13.)
- Стартување на моторот. (⇒ 11.6)
- Мотокултиваторот со двете раце цврсто се држи за ракофатите.
- **Црната** рачка за вклучување на погонот (нанапред) се активира и се држи. (⇒ 8.2)
Погонската оска со монтираните работни алатки почнува да се врти и мотокултиваторот почнува да се движи напред.

Исклучување на погонот (нанапред):

- Рачката за вклучување на погонот (нанапред) се пушта. (⇒ 8.2)
Погонската оска со монтираните работни алатки запира.

11.9 Вклучување и исклучување на погонот (наназад) (МН 445 R, МН 560, МН 585, МН 685)

Мотокултиваторите МН 445 R, МН 560, МН 585, МН 685 се опремени со погон за движење назазад.

Рикверцот при обработка на почвата служи за полесно ослободување кога ќе се заглави мотокултиваторот. Рикверцот не е предвиден за култивирање.



Опасност од повреди!

Пред вклучувањето на погонот (наназад), постојано да се внимава на тоа да има доволно простор меѓу телото на операторот и управувачот.

Вклучување на погонот (наназад):

- Мотокултиваторот со изгасен мотор со внатрешно согорување се пренесува до површината што ќе се обработува. (⇒ 13.1)
- Стартување на моторот со внатрешно согорување. (⇒ 11.6)
- Мотокултиваторот со двете раце цврсто се држи за ракофатите.
- **Црвената** рачка за вклучување на погонот (наназад) се активира и се држи. (⇒ 8.2)
Погонската оска со монтираните работни алатки почнува да се врти така, што мотокултиваторот почнува да се движи назазад.

Исклучување на погонот (наназад):

- Рачката за вклучување на погонот (наназад) се пушта. (⇒ 8.2)
Погонската оска со монтираните работни алатки запира.

11.10 Култивирање

При култивирање, почвата се ора со ротирачки фрези и се подготвува за сеене, одгледување или нега на растенија.



Опасност од повреди!

Треба да се култивира само напред.

Да се внимава на пречките, преку кои не смее да се поминува (на пр. камени плочи или пешачки патеки).

- Мотокултиваторот со изгасен мотор се пренесува до површината што ќе се обработува. (⇒ 13.1)
- Се склопуваат тркалата за транспорт. (⇒ 11.4)
- Стартување на моторот. (⇒ 11.6)
- Мотокултиваторот со двете раце се држи цврсто за ракофатите и се зазема стабилна положба – да се внимава на работното подрачје на операторот. (⇒ 10.1)
- Рачката за вклучување на погонот (напред) се активира и се држи. (⇒ 11.8)
Ножевите за фрези почнуваат да се вртат, може да стартува процесот на култивирање.
- По завршувањето со работата, погонскиот систем се деактивира (⇒ 11.8), моторот се исклучува (⇒ 11.7) и апаратот се чисти (⇒ 12.2).

12. Одржување



Опасност од повреди!

Пред да се пристапи кон постапките за одржување- или чистење на апаратот, треба внимателно да се прочита поглавјето „За Ваша безбедност“ (⇒ 4.), особено потпоглавјето „Одржување и поправки“ (⇒ 4.7) и точно да се запазат сите напомени за безбедност.



Пред сите работи на одржување- или чистење треба да се извлече утикачот за свеќичката!

12.1 Демонтирање на фрезите



Ако се разлабави клинот со стега до кутијата за менувачот, тогаш комплетната фреза со заштита на билки од оштетување може да се извлече од погонската оска. За монтирање на фрезите, обрнете внимание на информациите во поглавјата Монтирање на фрезите (⇒ 7.7), (⇒ 7.8) и Комбинации на фрезите (⇒ 10.3).

- Оставете го апаратот (мотор, менувач) потполно да се излади.
- Мотокултиваторот се поставува во положба за чистење. (⇒ 12.2)

- Демонтирање на заштитата на билките од оштетување: Стегата на клинот (1) се отвора и се извлекува клинот. Се извлекува заштитата на билките од оштетување (2).
- Демонтирање на фрезите: Стегата на клинот (3) се отвора и се извлекува клинот. Фрезата комплетно (4) се извлекува.
- Се вадат заштитните прстени (5) и се чуваат на сигурно – не треба да се изгубат!

12.2 Чистење на уредот



Интервал за одржување: По секоја употреба

- По секоја употреба, целиот уред темелно се чисти. Грижливостта односно штити уредот и го продолжува рокот на траење.
- Пред чистење, уредот треба потполно да се излади, да се извлече приклучокот за свеќичка, а при чистење на менувачот и на фрезите да се носат долги ракави и цврсти ракавици.

Позиција за чистење:



Избегнувајте оштетување на уредот!

- Мотокултиваторот само за кратко време да се стави во положба прикажана на сликата (чистење и одржување). При складирање, уредот се става во исправена положба.
- Се отвораат тркалата за транспорт. (⇒ 11.4)

- Горниот дел на рачката се поставува во највисоката позиција. (⇒ 11.2)
- Мотокултиваторот треба да се донесе на рамна и цврста подлога.
- Уредот се наведнува наназад, додека управувачот не ја допре подлогата.

Напомени за чистење:

- Нечистотиите и остатоците се отстрануваат со четка, со влажна крпа или со дрвено стапче – не употребувајте агресивни средства за чистење. STIHL препорачува употреба на специјално средство за чистење (на пр. средство за чистење STIHL).
- Никогаш да не се насочува млаз вода кон управувачот, деловите од моторот со внатрешно согорување, дихтунзите и лежиштата. Во спротивно, ќе треба да се прават скапи поправки.
- **Мотор со внатрешно согорување:** Отворите за ладење, вентилаторот, подрачјето околу филтерот за воздух, издувната цевка итн. да се исчистат од нечистотиите, за да се овозможи соодветно ладење на моторот со внатрешно согорување.
- **Кутијата за менувачот, тркалата за транспорт и фрезите** може да се мијат со помош на млаз вода, односно со апарат за миеење под висок притисок.



Избегнувајте оштетување на уредот!

При употреба на апарат за миеење под висок притисок, треба да се одржува растојание од **најмалку 1 m**, а водениот млаз никогаш да не се насочува директно кон депоата, погонската оска и дихтунзите – особено не на дихтунгот меѓу кутијата за менувач и заштитниот лим.

12.3 Бензински мотор

Интервал за одржување: Пред секоја употреба

Се контролира состојбата на моторното масло (види Упатство за употреба Бензински мотор).

Обрнете внимание на упатствата за употреба и одржување што ќе ги најдете во приложеното Упатство за употреба Бензински мотор.

12.4 Интервали на одржување



Избегнувајте оштетување на уредот!

Одржувањето на менувачот да го извршува исклучиво овластен застапник.

Одржување од страна на овластен застапник: Кај приватните корисници еднаш во годината

Мотокултиваторот треба еднаш годишно да се сервисира од страна на овластен застапник. STIHL го препорачува овластениот застапник за STIHL.

Одржување од страна на корисникот:

- **Пред секоја употреба**
Се контролира состојбата на моторното масло (види Упатство за употреба Мотор со внатрешно согорување)
- **По секоја употреба**
Чистење на уредот. (⇒ 12.2)

12.5 Складирање и пауза (зимски период)



Мотокултиваторот се складира во нормална положба (расклопени тркала за транспорт). За да не зафаќа многу простор при складирањето, управувачот се склопува наназад, како што е прикажано на сликата.



Опасност од превртување!

Мотокултиваторот може да се преврти нанапред, доколку ножевите за фреза се наоѓаат во неповолна позиција. Поради тоа, постојано треба да се контролира стабилната положба на мотокултиваторот.

По потреба, ножевите за фреза треба малку да се завртат, за да се намали тежината. Како алтернатива, мотокултиваторот при складирање може да се поддржува во подрачјето на рачката за носење.

Апаратот да се чува во сув, затворен простор, во кој нема многу прав. Погрижете се апаратот да биде вон од дофат на децата.

Евентуалните неправилности по правило треба да се отстранат пред неговото складирање. Апаратот мора постојано да се биде во безбедна состојба. Сите завртки, навртки и

штрафови треба да бидат убаво зацврстени, обновете ги натписите на апаратот за опасност и предупредувањата, кои станале нечитливи, проверете ја целата машина, односно проверете дали има изабени и оштетени делови. Заменете ги истрошените или оштетени делови.

При подолготрајно неупотребување на апаратот (пауза во зима), треба дополнително да се внимава на следниве нешта:

- Сите надворешни делови од апаратот треба внимателно да се исчистат.
- Да се испразнат резервоарот за гориво и карбураторот.
- Сите подвижни делови треба добро да се подмачкаат.
- Свеќичката се одвртува (види Упатство за употреба Бензински мотор) и во моторот се става околу 3 cm³ моторно масло низ отворот за свеќички. Моторот се вергла неколкупати без свеќичка (се повлекува стартната сајла).



Опасност од пожар!

Поради опасноста од пожар, утикачот за свеќички секогаш треба да се држи подалеку од отворот за свеќички.

- Свеќичката повторно се заштрафува (види Упатство за употреба Бензински мотор).
- Се врши промена на маслото (види Упатство за употреба Бензински мотор).
- Моторот се покрива и апаратот се чува во нормална положба.

13. Транспорт

13.1 Транспорт на мотокултиваторот



Опасност од повреди!

Обрнете внимание на безбедносните напомени во поглавјето „За ваша безбедност“ (⇒ 4.), особено на делот „Транспорт“ (⇒ 4.4). Пред транспортирањето, исклучете го моторот, извадете го утикачот за свеќичката и облечете соодветна заштитна облека (безбедни чевли, ракавици, комбиниран костум, покриени раце и нозе).
Обрнете внимание на тежината! (⇒ 18.)

1 Влечење или туркање на мотокултиваторот:

- Блокажата за кочница се поставува во највисока позиција. (⇒ 11.5)
- Се отвораат тркалата за транспорт. (⇒ 11.4)
- Мотокултиваторот се држи цврсто за двете рачки (1) и се наведнува наназад, сè додека апаратот не застане на тркалата за транспорт.
- Мотокултиваторот полека (во темпо на чекорење) се влече или се турка. На мазна и рамна подлога, апаратот треба да се турка, а на нерамна подлога подобро е да се влече.



Опасност од повреди!

Поради големата тежина на апаратот, особено треба да се внимава при движење по скали, нерамнини, стрмни рампи и други извишувања.

Корисникот секогаш треба да се наоѓа над машината, за во случај на губење на контролата над апаратот, да не биде прегазен – т. е. да не мора да го турка надолу, т.е. влече нагоре апаратот, преку угорнини и удопнини. Апаратот се турка, т.е. влече максимално 2 до 3 скали. При пренесување преку повеќе скали, мотокултиваторот треба да се носи со помош на уште едно лице.

2 Кревање или носење на мотокултиваторот:

- Се контролира фиксираната положба на горниот дел на рачката.
 - Мотокултиваторот треба да го креваат, т.е. носат најмалку две лица и треба постојано да се внимава на потребното растојание кон ножевите за фрези.
- Точки на држење:**
Ракофати (1) и рачка за носење (2)

3 Транспортирање на мотокултиваторот на товарен простор:

- Мотокултиваторот секогаш се транспортира **стоечки** – на тркалата за транспорт и фрезите. Апаратот никогаш не треба да се превртува странично.
- За стабилност, се отвораат тркалата за транспорт (⇒ 11.4) и се монтираат фрезите (⇒ 7.7), (⇒ 7.8).

- Мотокултиваторот се обезбедува од лизгање и на товарниот простор се врзува со сајли, т.е. ремени.

Точки на врзување:

Осовината на тркалата за транспорт (3) и осовината на ножевите за фрези (4).

14. Заштита на животната средина



Амбалажата, апаратот и приборот се произведени од материјали кои се рециклираат и треба соодветно да се отстранат.

Одвоеното, еколошко отстранување на отпадоците овозможува повторна употреба на материјалите за рециклирање. Поради тоа, по истекот на определениот рок на употреба, апаратот треба да се снабди со материјали за рециклирање.

14.1 Отстранување

Старото масло (моторното масло, маслото за менувачот) и горивото секогаш треба да се отстрануваат на соодветен начин.

Пред да се отстрани, моторот треба да се онеспособи. Треба да се отстранат каблите за палење, да се испразни резервоарот и да се испушти моторното масло.

Опасност од повреди од ножевите за фрезите!

Никогаш не го оставајте дури и неупотребливиот градинарски мотокултиватор без надзор. Погрижете се апаратот и ножевите за фрези да бидат вон од дофат на децата.

15. Минимизирање на абеењето и избегнување штети

Важни упатства за одржување и чување за групата производи

Бензински мотокултиватори (STIHL MN)

Фирмата STIHL не прифаќа никаква одговорност за повредите на луѓето и материјалната штета предизвикани поради непочитување на напомените во Упатството за употреба, особено советите за безбедност, ракување и одржување, или, пак, поради употреба на неодобрени додатоци за вградување или резервни делови.

Особено внимавајте на следниве важни напомени, со цел да се избегнат штети или прекумерно абеење на Вашиот STIHL уред:

1. Потрошни делови

Некои делови од уредите на STIHL и при нормална употреба подлежат на нормално абеење и во зависност од видот и од времето на користење мора навреме да се заменат.

Тука, меѓу другите, спаѓаат:

- Ременот
- Ножот за фрезата
- Блокажата за кочница

2. Придржување кон барањата од Упатството за употреба

STIHL уредот мора да се користи, одржува и да се чува мошне внимателно, онака како што е опишано во ова Упатството за употреба. За сите штети што настануваат поради

непочитување на напомените за безбедност, користење и одржување, е одговорен самиот корисник.

Ова, пред сè, важи за:

- несоодветна употреба на производот.
- употреба на горива и масла што не се одобрени од STIHL (средства за подмачкување, бензин и моторно масло, види Мотор со внатрешно согорување во Упатството за употреба).
- правење на измени на производот што не се одобрени од STIHL.
- употреба на додатоци, додатни уреди или сечива што не се одобрени од STIHL.
- употреба на производот на спортски настани или натпревари.
- штети настанати како последица на натамошната употреба на производот со дефектни делови.

3. Одржување

Сите работи наведени во делот „Одржување“ мора редовно да се спроведуваат.

Доколку корисникот не е во состојба сам да го извршува одржувањето, тогаш треба да се ангажира овластениот застапник.

STIHL препорачува одржувањето и поправките да ги извршува само кај овластениот застапник на STIHL.

Овластените застапници на STIHL редовно посетуваат обуки и ги имаат на располагање сите технички информации.

Доколку се пропуштат овие работи, може да настанат штети, за кои одговара корисникот.

Покрај другите, тука се вбројуваат:

- Корозија и други штети како последица од несоодветно складирање.
- Оштетувања на машината што настануваат како последица на употребата на резервни делови со понизок квалитет.
- Штети поради ненавремено и недоволно одржување, односно штети кои настануваат поради вршење активности за одржување или поправки, кои не се спроведуваат во работилници од страна на овластен застапник.

16. Вообичаени резервни делови

Клин со стега (ножеви за фрези):
9396 021 3785

МН 445, МН 445 R

Комплетна фреза, внатрешна, лева:
6241 710 0200

Комплетна фреза, внатрешна, десна:
6241 710 0205

Комплетна фреза, надворешна, лева:
6241 710 0210

Комплетна фреза, надворешна, десна:
6241 710 0215

МН 560, МН 585, МН 685

Комплетна фреза, внатрешна, лева:
6241 710 0220

Комплетна фреза, внатрешна, десна:
6241 710 0225

МН 585, МН 685

Комплетна фреза, надворешна, лева:
6242 710 0210

Комплетна фреза, надворешна, десна:
6242 710 0215

17. Сертификат за сообразност со ЕУ

17.1 Мотокултиватор STIHL МН 445.0, МН 445.0 R, МН 560.0, МН 585.0, МН 685.0

STIHL Tirol GmbH
Hans Peter Stihl-Straße 5
6336 Langkampfen
Österreich

со целосна одговорност изјавува дека

- Тип: Мотокултиватор
- Марка: STIHL
- Тип: МН 445.0, МН 445.0 R, МН 560.0, МН 585.0, МН 685.0
- Број на серијата: 6241

е во согласност со релевантните одредби на директивите 2000/14/ЕС, 2006/42/ЕС, 2014/30/EU и 2011/65/EU и е дизајнирана и произведена во согласност со верзиите на следниве стандарди кои важат на датумот на производство: EN 709 и EN 14982 (доколку е применливо).

Име и адреса на овластеното тело за проверка:
TÜV Rheinland LGA Products GmbH
Tillystraße 2
D-90431 Nürnberg

За да се утврди измереното и загарантираното нормирано ниво на бучава во околината, постапката беше во согласност со Директивата 2000/14/ЕС, анекс VIII.

МН 445.0, МН 445.0 R

- Измерено нормирано ниво на бучава во околината: 92 dB(A)
- Гарантирано нормирано ниво на бучава во околината: 93 dB(A)

МН 560.0, МН 585.0

- Измерено нормирано ниво на бучава во околината: 91,3 dB(A)
- Гарантирано нормирано ниво на бучава во околината: 93 dB(A)

МН 685.0

- Измерено нормирано ниво на бучава во околината: 92,4 dB(A)
- Гарантирано нормирано ниво на бучава во околината: 93 dB(A)

Техничките документи се чуваат со одобрувањето за производот на STIHL Tirol GmbH.

Годината на производство и бројот на машината се наведени на мотокултиваторот.

Лангкампфен, 02.11.2020

STIHL Tirol GmbH

во име на



Matthias Fleischer, раководител на одделението за истражување и развој

во име на



Sven Zimmermann, раководител на
одделението за квалитет

18. Технички податоци

МН 445.0 / МН 445.0 R / МН 560.0 / МН 585.0 / МН 685.0

Број на серијата	6241
Мотор со внатрешно согорување, тип	4-тактен мотор со внатрешно согорување
Уред за стартување	Стартување на сајла

Во согласност со Директивата
2000/14/ЕС:

Гарантирано нормирано ниво на бучава во околината $L_{WA,d}$	93 dB(A)
---	----------

МН 445.0 / МН 445.0 R

Тип на моторот	B&S Series 550 EX OHV RS
Работна зафатнина	140 ccm
Номинална моќност при број на номинални вртежи	2,2 - 3100 kW - U/min

МН 445.0 / МН 445.0 R

Резервоар за гориво	0,8 l
Алат	4 елементи за култивирање, 2 заштити на билките од оштетување
Пречник на фрезата	30 cm
Работен број на вртежи на фрезата при номинален број на вртежи	124 U/min
Номинален број на вртежи	3100 U/min

Во согласност со Директивата
2006/42/ЕС:

Нормирано ниво на бучава на работното место L_{pA}	80 dB(A)
Неодреденост K_{pA}	2 dB(A)
Декларирана емисија на вибрации во согласност со EN 12096:	

Измерена вредност a_{hw}	5,50 m/s ²
Неодреденост K_{hw}	2,20 m/s ²

Мерење според EN 20643

Погон МН 445.0	1-степен на брзина напред
Погон МН 445.0 R	1-степен на брзина напред 1 степен на брзина назад
Тежина	36 kg / 37 kg

МН 560.0/ МН 585.0

Тип на моторот	Kohler HD675
Работна зафатнина	149 ccm

МН 560.0/ МН 585.0

Номинална моќност при број на номинални вртежи	2,3 - 3000 kW - U/min
Резервоар за гориво	1,4 l
Алат МН 560.0	2 елементи за култивирање, 2 заштити на билките од оштетување
Алат МН 585.0	4 елементи за култивирање, 2 заштити на билките од оштетување

Пречник на фрезата	32 cm
Работен број на вртежи на фрезата при номинален број на вртежи	120 U/min
Номинален број на вртежи	3000 U/min

Во согласност со Директивата
2006/42/ЕС:

Нормирано ниво на бучава на работното место L_{pA}	79 dB(A)
Неодреденост K_{pA}	2 dB(A)
Декларирана емисија на вибрации во согласност со EN 12096:	

Измерена вредност a_{hw}	5,00 m/s ²
Неодреденост K_{hw}	2,50 m/s ²

Мерење според EN 20643

Погон	1-степен на брзина напред 1 степен на брзина назад
-------	--

MH 560.0/ MH 585.0

Тежина 41 kg / 44 kg

MH 685.0

Тип на моторот Kohler HD775
 Работна зафатнина 173 ccm
 Номинална моќност при број на номинални вртежи 2,9 - 3200 kW - U/min
 Резервоар за гориво 1,4 l
 Алат 4 елементи за култивирање, 2 заштити на билките од оштетување

Пречник на фрезата 32 cm
 Работен број на вртежи на фрезата при номинален број на вртежи 128 U/min
 Номинален број на вртежи 3200 U/min

Во согласност со Директивата 2006/42/EC:

Нормирано ниво на бучава на работното место

L_{pA} 80 dB(A)

Неодреденост K_{pA} 2 dB(A)

Декларирана емисија на вибрации во согласност со EN 12096:

Измерена вредност a_{hw} 6,00 m/s²

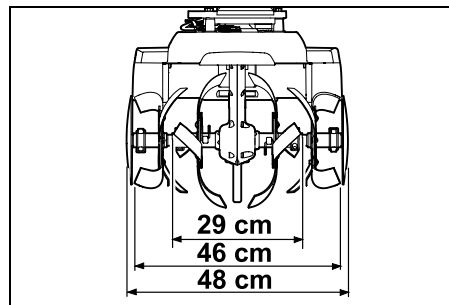
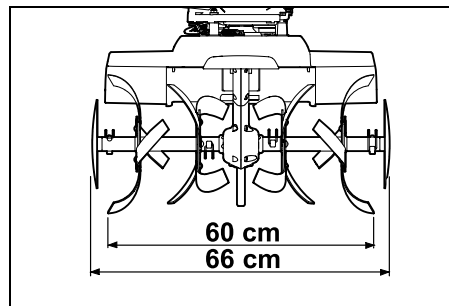
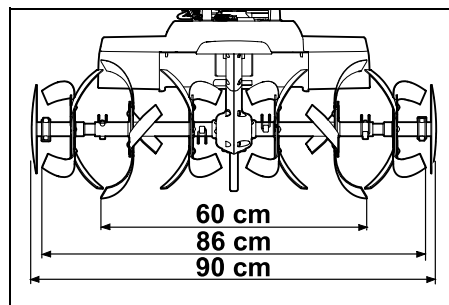
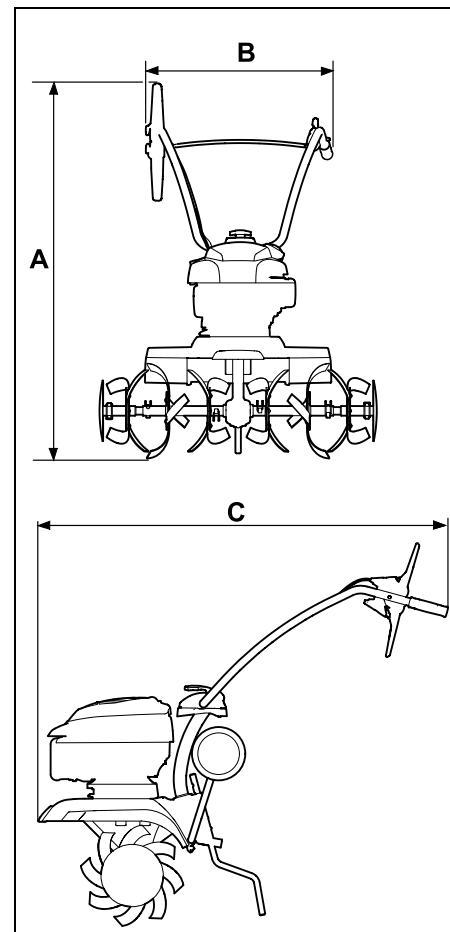
Неодреденост K_{hw} 2,40 m/s²

Мерење според EN 20643

Погон 1-степен на брзина напред
 1 степен на брзина наназад

MH 685.0

Тежина 46 kg

MH 445.0, MH 445.0 R:**MH 560.0:****MH 585.0, MH 685.0:****MH 445.0, MH 445.0 R, MH 560.0, MH 585.0, MH 685.0:****MH 445.0, MH 445.0 R:**

A = 118 cm

B = 57 cm

C = 122 cm

MH 560.0, MH 585.0, MH 685.0:

A = 119 cm

B = 57 cm

C = 122 cm

18.1 REACH

REACH означува регулатива на ЕЗ за регистрација, проценка и одобрување на хемикалии

Информациите за исполнување регулативата REACH (ЕЗ) бр. 1907/2006 се наведени на www.stihl.com/reach.

19. Решавање проблеми

✂ евентуално, да се побара помош од стручно лице, STIHL го препорачува овластениот застапник за STIHL.

📖 види Упатство за употреба Бензински Мотор.

Пречка:

Моторот не работи

Можна причина:

- Рачката за штелување на гас е во позиција за стопирање
- Нема гориво во резервоарот; Доводот за гориво е затнат
- Лошо, нечисто или старо гориво во резервоарот
- Утикачот за свеќичката е извлечен од свеќичката; кабелот е лошо приклучен во приклучокот
- Свеќичката е со саѓи или оштетена; несоодветно растојание на електродите
- Нечист филтер за воздух
- Моторот е „презаситен со гориво“ поради повеќе обиди за стартување

Решение:

- Рачката за штелување на гасот се поставува во положба за запирање (⇒ 8.1)

- Се полни гориво (⇒ 7.15); Се чистат доводите за гориво (✂)
- Секогаш да се употребува ново брендирано гориво (безоловен бензин) (⇒ 7.15); се чисти карбураторот (✂)
- се приклучува утикачот за свеќичката (📖); се проверува врската меѓу кабелот и приклучокот (✂)
- се чисти/заменува свеќичката (📖), (✂); се поставува растојанието меѓу електродите (✂)
- се чисти/заменува филтерот за воздух (✂)
- Свеќичката се одвртува и се суши, рачката за гас се поместува во стоп-позиција и стартната сајла при одвртена свеќичка се повлекува повеќепати (📖)

Пречка:

Отежнато палење или намалена моќност на бензинскиот мотор

Можна причина:

- Вода во резервоарот за гориво и во карбураторот; затнат карбуратор
- Резервоарот за гориво е нечист
- Нечист филтер за воздух
- Свеќичката е со саѓи

Решение:

- Да се испразни резервоарот за гориво, да се исчисти доводот на гориво и карбураторот (✂)
- Да се исчисти резервоарот за гориво (✂)
- се чисти/заменува филтерот за воздух (📖), (✂)
- се чисти/заменува свеќичката (📖), (✂)

Пречка:

Моторот се презагрева

Можна причина:

- Отворите за ладење се нечисти
- Многу мало количество масло во моторот
- Горниот дел на моторот е покриен со земја

Решение:

- Да се исчистат отворите за ладење (⇒ 12.2)
- Да се дополни моторно масло (⇒ 7.15)
- Да се отстрани земјата од моторот

Пречка:

Моторот работи немирно

Можна причина:

- Нечист филтер за воздух

Решение:

- се чисти/заменува филтерот за воздух (📖), (✂)

Пречка:

Појава на чад

Можна причина:

- Премногу масло
- Нечист филтер за воздух

Решение:

- Да се приспособи количината на масло (📖)
- се чисти/заменува филтерот за воздух (📖), (✂)

Пречка:

Силни вибрации за време на работењето

Можна причина:

- Разлабавен држач на моторот

Решение:

- Да се стават штрафови на држачот на моторот (✘)

Пречка:

Намалена ефикасност

Можна причина:

- Фрезите се погрешно монтирани
- Изабени ножеви за фрезите
- Блокажата за кочница е погрешно поставена

Решение:

- Фрезите да се монтираат правилно (⇒ 7.7), (⇒ 7.8)
- Да се заменат фрезите (✘)
- Нагудување на блокажата за кочница (⇒ 11.5)

Пречка:

Нема работен учинок

Можна причина:

- Не постои клин со стега на погонската оска

Решение:

- Да се провери прицврстувањето на фрезите на погонската оска (⇒ 7.7), (⇒ 7.8)

Пречка:

Гласен звук од менувачот

Можна причина:

- Погрешна количина на масло во менувачот

Решение:

- Да се провери количината на масло во менувачот (✘)

Пречка:

Погонската оска не се врти при активирани рачка за вклучување на погонот

Можна причина:

- Дефект на сајлата
- Истрошени каиши за пренос

Решение:

- Да се провери, односно да се замени сајлата (✘)
- Да се замени ременот (✘)

20. Сервисен план

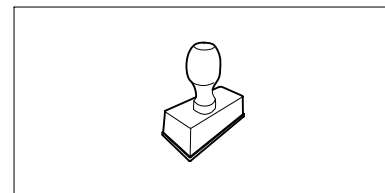
20.1 Потврда за испораката

Модел: _____

Сериски број:

<input type="text"/>	<input type="text"/>	<input type="text"/>	<input type="text"/>	<input type="text"/>	<input type="text"/>	<input type="text"/>	<input type="text"/>	<input type="text"/>	<input type="text"/>
----------------------	----------------------	----------------------	----------------------	----------------------	----------------------	----------------------	----------------------	----------------------	----------------------

Датум



Следен сервис

Датум

20.2 Сервисна потврда



При одржување, дајте му го ова упатство за употреба на Вашиот овластен претставник на STIHL. На претходно испечатените полиња, тој ќе го потврди извршувањето на сервисирањето.

Сервисот е извршен на

Дата на следниот сервис

Hörmətli Müştəri,

STIHL-i seçdiyiniz üçün təşəkkür edirik. Biz müştərilərimizin tələblərinə cavab vermək üçün keyfiyyətli məhsullar hazırlayır və istehsal edirik. Hətta ekstremal şərtlərdə belə, məhsullar etibarlılıq üçün nəzərdə tutulub.

STIHL həmçinin premium xidmət keyfiyyəti deməkdir. Mütəxəssis vasitəçilərimiz hərtərəfli xidmət dəstəyi ilə yanaşı, kifayət qədər məsləhət və təlimat ilə təmin edir.

Bizə inandığınız üçün təşəkkür edirik və ümid edirik ki, STIHL məhsulunuz ilə işləməkdən zövq alacaqsınız.

Dr. Nikolas Stihl

VACİB: İSTİFADƏDƏN ƏVVƏL OXUYUN VƏ TƏHLÜKƏSİZ YERDƏ SAXLAYIN.

1. Mündəricat

Bu istifadə üzrə təlimata dair	426
Ümumi maddələr	426
Bu istifadə üzrə təlimatın oxunması üzrə göstərişlər	426
Cihazın təsviri	426
Sizin təhlükəsizliyiniz üçün	427
Ümumi	427
Çənin doldurulması – Benzinlə davranma	428
Geyim və alətlər	428
Cihazın nəqli	429
İşdən əvvəl	429
İş zamanı	430
Texniki baxış və təmir işləri	431
Uzun fasilələr zamanı anbarlama	432
Tullantının emalı	433
İşarələrin təsviri	433
Çatdırılma həcmi	433
Cihazı işə hazırlamaq	434
Montaja dair göstəriş	434
Hərəkət alətini montaj etmək:	434
Əyləc hissəsini montaj etmək:	435
Sükanı montaj edin	435
Sükanı açmaq	435
Qoruyucu hissənin montajı	435
Biçmə çarxı quraşdırılması MH 445, MH 445 R	435
Biçmə çarxı quraşdırılması MH 445, MH 585, MH 685	436
Bitki qorunması diskini montaj edin.	437
Hərəkət qolunu quraşdırın	437
Dartma kəmərinə köçürün	437
Dartma alətini asmaq	437

Drosseli yerləşdirmək və montaj etmək	438
İpi sükana bərkidən	438
Yanacaq və motor yağı	438
Xidmət elementi	438
Drossel qolunun yerləşdirilməsi	438
Hərəkət qolu	438
Təhlükəsizlik qurğusu	439
Dartma diski qolunu burmaq	439
Qoruyucu alət	439
İşə dair göstərişlər	439
xidmət göstərən iş sahəsi	439
Cihazın iş mövqeyi	439
Biçmə çarxı kombinasiyaları	439
İş zamanı ideal bədən quruluşu	440
Cihazı işə salmaq	440
Hazırlıq tədbirləri	440
Sükanın yuxarı hissəsinin qurulması	440
Sükanın yan hissəsinin qurulması	440
Nəql alətini açın və bağlayın.	440
Əyləc hissəsini qurmaq	441
Yandırmə motoru işə salın	441
Motoru söndürün	441
Dartma diski qolunu (irəli) birləşdirin və ayırın.	441
Hərəkət qolunu (geriyə) sıxmaq və buraxmaq (MH 445 R, MH 560, MH 585, MH 685)	441
Qarmaq	441
Texniki baxış	442
Qarmaq ulduzunun demontajı	442
Cihazı təmizləyin	442
Alışdırma motoru	443
Xidmət intervalları	443
Anbarda saxlama və sükut vəziyyətində anbarlama (qış fasiləsində)	443

Nəql	444
Motor qarmağının nəqli:	444
Ətraf mühitin qorunması	444
Tullantının emalı	444
Tullantını azaltmaq və zərərlərin qarşısını almaq	444
Qalıq ehtiyat hissələri	445
Aİ – Uyğunluğun təsdiqlənməsi	445
Motorlu yerşumlayan STIHL MH 445.0, MH 445.0 R, MH 560.0, MH 585.0, MH 685.0	445
Texniki məlumatlar	446
REACH	448
Xətanın axtarılması	448
Xidmət planı	449
Təslimat təsdiqi	449
Xidmət təsdiqi	449

2. Bu istifadə üzrə təlimata dair

2.1 Ümumi maddələr

Bu istifadə təlimat kitabçası Avropa Birliyinin 2006/42/EC Direktivasına əslənən istehsalçının **həqiqi istifadə təlimatı kitabçasıdır**.

STIHL davamlı olaraq məhsullar çeşidini daha da inkişaf etdirmək üçün çalışır; ona görə də, biz formaya, texniki xüsusiyyətlər və standart avadanlığımızın avadanlıq səviyyəsinə dəyişikliklər etmək hüququnu qoruyub saxlayırıq.

Bu səbəbdən, bu təlimat kitabçasında olan məlumat və təsvirlərə əsaslanaraq heç bir iddia irəli sürülə bilməz.

Bu istifadə təlimatı kitabçasında hər ölkədə mövcud olmayan müvafiq modellər təsvir olunub.

Bu istifadə təlimatı müəlliflik hüququ ilə qorunur. Bütün hüquqlar, xüsusilə təkrar istehsal etmə, tərcümə və elektron sistemlərdən istifadə edərək emal etmə hüququ qorunur.

2.2 Bu istifadə üzrə təlimatın oxunması üzrə göstərişlər

Şəkil və mətnlər müəyyən əl ilə idarə addımlarını təsvir edirlər.

Cihazın üzərində yerləşmiş şəkillər istifadə təlimatında izah ediləcəklər.

Baxış istiqaməti:

İstifadə zamanı baxış istiqaməti təlimat kitabçasında "sol" və "sağ":
İstifadəçi cihazın arxasında yerləşir və gediş istiqamətinə qarşıdan nəzər yetirir.

Bölmələr üzrə istiqamət:

Müvafiq bölmə və alt bölmələrə dair izahatlar işarə ilə göstəriləcək. Aşağıdakı nümunə bölməyə dair göstərişi təqdim edir: (⇒ 4.)

Mətn hissələrinin işarəsi:

Təsvir olunmuş göstərişlər aşağıdakı nümunələrdəki kimi işarələyə bilərlər.

İstifadəçinin əl ilə tutmasını tələb edən qaldırma addımları:

- Şrupu (1) şrupaçanla boşaldın, tutacağı (2) işə salın...

Ümumi sadalama:

- İdman və rəqabət tədbirlərində məhsulun işə salınması

Əlavə mənaya malik mətnlər:

Əlavə mənaya malik mətn hissələri sonradan təsvir edilmiş işarələrlə qeyd ediləcək və istifadə kitabçasında əlavə məlumat verəcək.



Təhlükə!

İnsanlar üçün qəza və ağır yaralanma təhlükəsi. Müəyyən davranış qaydası vacibdir.



Xəbərdarlıq!

İnsanlar üçün yaralanma təhlükəsi. Müəyyən davranış mümkün və ya yəqin edilən yaralanmanın qarşısını ala bilər.



Diqqət!

Müəyyən davranışla yüngül yaralanma və zərərlərin qarşısını almaq olar.



Göstəriş

Cihazın daha yaxşı istifadəsi və mümkün xətalərin qarşısını almaq üçün məlumat.

Şəklə aid mətn:

Cihazın istifadəsini izah edən şəkilləri təlimat kitabçasının əvvəlində tapa bilərsiniz.

Kamera işarəsi təlimat kitabçasının müvafiq mətn hissəsi ilə şəkillərin birləşdirilməsinə xidmət edir.



3. Cihazın təsviri



- 1 Hərəkət qolu (irəliyə)
- 2 Sükanın yuxarı hissəsi
- 3 Kilidləmə qolu
- 4 Başlama sütunu
- 5 Yandırma motoru
- 6 Alışdırma şamı ştepseli
- 7 Qoruyucu zolaq
- 8 Bitkini qoruyan disk
- 9 Biçmə çarxılar

- 10 Daşıma qolu
- 11 Qoruyucu zolaq
- 12 Nəql aləti
- 13 Əyləc qolu
- 14 Ayırma qolu (nəql aləti)
- 15 Azad etmə boltları (əyləc qolu)
- 16 Tutacaq qolu
- 17 Drossel qolu
- 18 MH 445 R, MH 560, MH 585, MH 685: Hərəkət qolu (geriyə)
- 19 Cihaz nömrəsi ilə təyinat lövhəsi

4. Sizin təhlükəsizliyiniz üçün

4.1 Ümumi



Cihazda iş zamanı qəza hallarına dair göstərişlərə mütləq əməl etmək lazımdır.



Birinci dəfə işə salmamışdan əvvəl bütün təlimat kitabçası diqqətlə oxunmalıdır. Təlimat kitabçasını növbəti istifadələr üçün qoruyub saxlayın.

Motor üçün ayrıca təmin olunmuş təlimat kitabçasında xidmət və texniki baxış göstərişlərinə diqqət yetirin.

Bu təhlükəsizlik tədbirləri sizin təhlükəsizliyiniz üçün nəzərdə tutulub, lakin tədbirlər bununla bitmir. Bu cihazı ağıl və məsuliyyətlə istifadə edin və hər zaman yadda saxlayın ki, digər şəxslərin yaralanmasına və əmlaka dəyən ziyanı görə istifadəçi məsuliyyət daşıyır.

Cihazın xidmət hissələrini və yerləşilən hissələrini, cihazın istifadəsini yaxşı öyrənin. Xüsusilə istifadəçi cihazın iş alətləri və yandırma motorunu tez söndürməyi bacarmalıdır.

Bu cihaz yalnız istifadə təlimatı kitabçasını oxumuş və cihazın istifadəsindən anlayışı olan şəxslər tərəfindən istifadə oluna bilər. İlk istifadədən öncə istifadəçi peşəkar və praktik təlimat ilə tanış olmalıdır. İstifadəçi satıcı və ya digər bir ixtisaslı mütəxəssis tərəfindən cihazın təhlükəsiz istifadəsinə dair məlumatlandırılmalıdır.

Xüsusilə, bu təlimat istifadəçini cihazla işləyərkən maksimum diqqətli və konsentrasiyə barəsində xəbərdar etməlidir.

Hətta bu cihaza qaydalara uyğun xidmət göstərilərsə də, qalıq risklər hər zaman mövcuddur.



Boğulma nəticəsində həyati təhlükə!

Qablaşdırma materialı ilə oynayarkən uşaqlar üçün boğulma təhlükəsi mövcuddur. Qablaşdırma materialını mütləq uşaqlardan kənar tutun.

Bu cihaz o cümlədən onun hissələrini yalnız bu model və onun istifadəsindən anlayışı olan insanlara vermək olar. Təlimat kitabçası bu cihazın bir hissəsidir və həmişə birgə təqdim olunmalıdır.

Cihazdan ehtiyatla və fiziki və mənəvi cəhətdən sağlam olduqda istifadə edin. Sağlamlığınız normal şəraitdə olmadıqda, cihazdan istifadə ilə bağlı həkiminizlə məsləhətləşin. Spirtli içki, dərman vasitələri və ya reaksiyaya təsir göstərən dərman qəbulundan sonra cihazdan işləmək olmaz.

İstifadəçinin fiziki, hissi və zehni olaraq cihazı istismar və istifadə etməyə qadir olduğundan əmin olun. Əgər istifadəçinin fiziki, hissi və ya zehni olaraq məhdudiyətləri varsa, bu zaman istifadəçi qurğunu yalnız nəzarət altında və ya məsul şəxsin göstərişi ilə istifadə edə bilər.

İstifadəçinin həddi-buluğ yaşına çatdığından və ya peşə fəaliyyəti yerinə yetirmək üçün milli qaydalar əsasında təlim keçdiyi üçün əmin olun.

Diqqət – Qəza təhlükəsi!

Motorla təkan verən alət əkin, qurma və ya bitkilərə qayğı kimi yer işləri üçün nəzərdə tutulub. Ondən yalnız istifadə təlimatında təsvir olunan kimi istifadə oluna bilər – kənar məqsəd üçün istifadə oluna bilməz! Digər şəkildə istifadəyə icazə verilmir və bu təhlükəli ola bilər. Yaralanma və ya cihazın zədələnməsi baş verə bilər.

İstifadəçinin bədən hissələrinin zədələnməsi təhlükəsinə görə motoru işə gətirən alət aşağıdakı işlər üçün istifadə oluna bilməz (siyahı tam deyil):

- damlarda və eyvanlarda kolların biçilməsi işləri üçün,
- ağız və çöplərin kəsilməsi və döğranması üçün.

Cihazla birlikdə heç bir alətlər, heyvanlar və ya insanlar xüsusilə də uşaqlar nəql edilə bilməzlər.

Təhlükəsizlik məqsədləri üçün STIHL tərəfindən təsdiq olunan aksesuarların müvafiq yerləşdirməsindən başqa, cihaza edilən istənilən dəyişiklik qadağandır və zəmanət sığortasının etibarsızlığı ilə nəticələnir. Təsdiqlənmiş aksesuarlar ilə əlaqədar məlumat STIHL mütəxəssis vasitəçiniz tərəfindən əldə edilə bilər.

Xüsusilə, enerji çıxışı və ya motorun və ya elektrik motorunun sürətini artıran maşın ilə istənilən müdaxilə qadağandır.

İctimai yerlərdə, parklarda, idman şəhərciklərində, küçələrdə və kənd və meşə təsərrüfatlarında istifadə zamanı xüsusi qaydalara riayət etmək lazımdır.



Diqqət! Vibrasiya nəticəsində sağlamlığa ziyan! Həddindən artıq vibrasiyaya məruz qalmaq qan təzyiqi problemi olan

şəxslərdə qan dövrəni və ya sinir sisteminə zərər vura bilər. Vibrasiya nəticəsində simptomlar yaranıqda həkiminizə müraciət edin. Adətən barmaq, əl və ya əl ətraflarında yaranan əsas simptomlara məsələn aşağıdakılar aiddir (natamam siyahı):

- Qeyri-həssaslıq,
- Ağrı
- Əzələlərin zəifləməsi,
- Dəri rənginin dəyişməsi,
- xoşagəlməz bükülmə.

Sükani fəaliyyət zamanı bərk lakin gərilmədən hər iki əllə göstərilən yerlərdə tutun.

İş vaxtını elə planlayın ki, uzun müddət ərzində həddindən artıq yükləmələrin qarşısı alınsın.

Motorun istifadəsi zamanı iş fasilələrini planlaşdırın və cihazın uzun müddətli işinə imkan verməyin, uzun müddətli vibrasiyalar sağlamlığa ziyan vura bilər.

4.2 Çənin doldurulması – Benzinlə davranma



Həyati təhlükə!

Benzin zəhərli və yüksək dərəcədə yanadır.

Benzini yalnız onun üçün nəzərdə tutulmuş və yoxlanmış qablarında (Kanistrlərdə) saxlayın. Çənlərin qapaqları həmişə müvafiq şəkildə bağlanmalı və sıxılmalıdır. Qüsurlu qapaqları təhlükəsizlik səbəbindən dəyişin.

Heç bir vaxt işçi butullkalarını və ya oxşar məhsulları maddələrin saxlanması üçün istifadə etməyin məs. oksigen. İnsanlar, xüsusilə də uşaqlar onları içə bilərlər.



Benzini alovdan, açıq alovdan, davamlı istidən, istilik mənbəyindən və digər mənbələrdən uşaq saxlayın.

Siqaret çəkməyin!

Yalnız maşın dayandıqda onu benzinlə doldurun və çənin yaxınlığında siqaret çəkməyin.

Çəni doldurmamışdan əvvəl motoru dayandırın və soyudun.

Benzini motoru işə salmamışdan əvvəl doldurun. Motor işə düşərkən və ya isti maşın isti olduqda çənin qapağı açılı bilməz və ya benzin əlavə edilə bilməz.

Yanacaq çəninini normadan artıq doldurmayın!

Yanacaq yer yaratmaq üçün çəni aşağıdakı dəstək yerinin aşağı kənarından yuxarıya doldurmayın.

Əlavə məlumat üçün yanma motorunun istifadə təlimatlarına baxın.



Benzin başa çatdıqda motoru yalnız benzinlə çirkənlənmiş sahəni təmizlədikdən sonra işə salın. Benzin buxarı uçana qədər (quru şəkildə silmə) hər cürə alovun qarşısını alın.

Dağılmış maddəni hər zaman silin.

Benzin paltarın üstünə düşdükdə dəyişdirilməlidir.

Heç bir vaxt binanın daxilində içində benzin olan cihazı saxlamayın. Yaranan benzin buxarı açıq alov və ya qılgılcımla əlaqəyə girə və yana bilər.

Çəni boşaltmaq lazım gəldikdə bunu sərbəst yerdə edin.

4.3 Geyim və alətlər



İş zamanı altlığa malik iş ayaqqabısı geyinmək lazımdır. Heç bir vaxt ayaqqabısız və ya məsələn sandalla işləməyin.



Texniki baxış və təmizləmə işləri zamanı, o cümlədən cihazın nəqli zamanı hər zaman bərk əlcəklər geyinin və saçınızı bağlayın (örpək, papaq və s).



Cihazla iş zamanı müvafiq və dar paltarlar geyinin, məs. kombinizon geyinin, iş xalası geyinmək olmaz. Cihazla iş zamanı şarf, qalstuk, zərgərlik məmulatı, asılı lentlər və ya şnur və digər kiçik geyim hissələri taxmayın.

Fırlanan hissələr saçları, geyimləri və geyim hissələrini fırlada və ya cıra bilər. Bu ağır yaralanmaya gətirib çıxara bilər.

4.4 Cihazın nəqli

İti uclu və isti cihaz hissələrində yaralanmanın qarşısını almaq üçün əlcək geyinin.

Cihazı motoru işləyərkən nəql etməyin. Nəqldən əvvəl motoru söndürün, iş alətlərinin dayanmasını gözləyin və şamı dartın.

Cihazı motoru soyutduqda və mayesiz şəkildə nəql edin.

Zəhmət olmasa, "Nəql" bölməsində məlumatlara baxın. Orada cihazı necə qaldırmaq o cümlədən daşımağa dair məlumatlar göstərilir. (⇒ 13.)

Cihazı hər zaman iki nəfər daşıyın – tutma yerlərinə diqqət yetirin.

Aidiyyətli yardımçı hissələrdən (yükləmə hissələri, qaldırma alətləri) istifadə edin.

Təhlükəsizlik səbəbindən nəql zamanı və yükləmə zamanı, xüsusilə yük alətlərinin istifadəsi zamanı, 15°-dən artıq əyilmə dərəcəsini keçmək olmaz.

Avadanlıq və yükləmə zonasında daşınan avadanlıq hissələrini müvafiq ölçülü fiksatorlarla (kəmərlər, iplər və s.) ilə təmin edin. Cihazı heç bir vaxt təhlükəli şəkildə nəql etməyin.

STIHL, mühərrikli kultivatoru maşının içərisində deyil (məsələn, baqajda) uyğun bir yükləmə sahəsində uyğun bir qoşqu vasitəsi ilə daşımağı tövsiyyə edir.

Cihazın nəqli zamanı regional qaydalara, o cümlədən yük yerində yükün təhlükəsizliyi və onun nəqli ilə bağlı qaydalara diqqət yetirin.

4.5 İşdən əvvəl

Cihazda yalnız onun təlimat kitabçasını oxumuş adamların işləməsinə əmin olun.

Cihazı istismara verməsindən əvvəl yanacaq sisteminin, xüsusilə çən, çənin bağlayıcı qurğusu, şlanq birləşmələri kimi görünən hissələrinin germetikliyini yoxlayın. Qeyri-germetiklik və ya daxili yanacaq mühərrikinin zədələnməsi aşkar olunduqda - **Yanğın riski!** istismara verilmədən əvvəl cihazı təmirə təhvil verin və ya dəyişdirilmək üçün satıcıya göndərin.

Yandırma motorlarına malik bağ cihazlarının iş vaxtına dair ərazidəki qaydalara diqqət yetirin.

Cihazın işə salınacağı sahəni tam yoxlayın və böyük daş, çubuq, məftil və cihaza mane ola biləcək digər yad cismləri kənarlaşdırın.

Yrdə əyilmiş maddələr (otlağın qorunduğu yerlər, sütunlar, su vintilləri, fundamentlər, elektrik xəttləri və s.) cihazda işdən əvvəl qeyd edilməlidirlər və onlardan yan keçmək lazımdır. Bu cür kənar obyektlərdə biçmə işi aparmayın.

Bütün qüsurlu, köhnə və ya zədələnmiş hissələr maşını istifadə etməzdən əvvəl dəyişdirilməlidir. Maşında istənilən oxunmayan və ya zədələnmiş təhlükəsizlik işarələri və xəbərdarlıqlarını dəyişdirin. STIHL mütəxəssisinizdə əvəzedici yapışqanlar və bütün digər ehtiyat hissələrinin təchizatı var.

Cihazı istifadə etməmişdən əvvəl yandırma şamının bərkliyini və təhlükəsizliyini yoxlayın.

Cihaz yalnız müvafiq istismar vəziyyətində istifadə edilə bilər. Hər istifadədən öncə yoxlanılmalıdır:

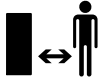
- ümumi cihaz qaydalara uyğun montaj ediləbmi.
 - təhlükəsizlik qurğuları (məs. hərəkət qolu, qoruyucu zolaq, qoruyucu qapaq, qoruyucu qat, sükan, qoruyucu çərçivə) qüsursuz vəziyyətdədir və mükəmməl işləyirmi. Təhlükəsizlik qurğuları çatışmadıqda, zədələnmiş və ya köhnə olduqda cihazı heç vaxt istifadə etməyin.
 - İş alətləri (biçmə çarxı) və bərkitmə vintləri, fiksator) mövcuddurmu, aşınmış və ya zədələnmiş (qırılma, çat). Yeyilmiş və ya zədələnmiş hissələri dəyişmək lazımdır.
 - İş alətləri (qarmaq ulduzları) təhlükəsiz və bərk montaj ediləbmi.
 - hərəkət qolu işləyirmi və asan işə düşürmü.
 - çən qapağı müvafiq şəkildə bərkidiləbmi.
 - çən və yanacaq daşıyıcı hissələr, həmçinin çənin qapağı yaxşı vəziyyətdədir.
 - yağ tökülən hissənin qapağı müvafiq şəkildə bərkidiləbmi.
 - istifadə olunan aksesuarlar tam və düzgün şəkildə cihaza quraşdırılmışdır. Aksesuarlar ilə birgə əlavə olunan bütün komponentlər quraşdırılmalı və ya istifadə olunmalıdır.
- İstənilən zəruri işi icra edin və ya mütəxəssis vasitəçi ilə məsləhətləşin. STIHL, STIHL mütəxəssis vasitəçilərini tövsiyyə edir.
- Sol və sağdakı qoruyucu zolaqlar müvafiq iş sahəsinin eninə uyğunlaşdırılır və hər zaman düzgün şəkildə quraşdırılmalıdır. Əgər əlavə biçmə çarxları (STIHL

aksesuarları) tərəfindən MH 445 və MH 445 R modellərinin işləmə sahəsinin eni genişlənsə, daha böyük qoruyucu zolaqlar (aksesuarlarla təchiz olunmuş) quraşdırılmalıdır.

Cihazı nəql çarxları vasitəsilə emal edilən qazona tərəf itələyin və ya dartın.

İşə salmamışdan əvvəl cihazın üstündə yerləşən bütün massələri (alətlər, dəsmallar və s.) kənarlaşdırın.

4.6 İş zamanı



Üçüncü tərəfi təhlükə sahəsindən kənar saxlayın! Heyvanlar və ya insanlar, xüsusilə uşaqlar təhlükə

sahəsində olduqda heç bir vaxt işləməyin.

Diqqət! – İş zamanı torpaq, daş və s. yuxarı və yana tullanacaq.

Cihazı yalnız bir adam istifadə edə bilər. Yanma motoru işə salındıqda, istifadəçi iş sahəsində olmalıdır. (⇒ 10.1)

Cihazı istifadə edərkən nəql qolundan, qoruyucu səthdən və ya sükandakı tutacaqdan başqa digər cihaz hissələrindən tutmayın, itələməyin və ya dartmayın – xüsusilə də bunu ikinci şəxs edə bilməz.

Cihazda quraşdırılmış keçirmə və təhlükəsizlik hissələri kənarlaşdırıla və ya çıxarıla bilməz. Hərəkət diski qolunu heç bir vaxt sükanın yuxarı hissəsinə bərkitməyin (məs. birləşdirici ilə).



Diqqət – Yaralanma təhlükəsi! Əlinizi və ya ayağınızı heç bir zaman fırlanan hissələrin altına və ya üstünə aparmayın.

Aparıcı hissə tərəfindən verilən təhlükəsizlik məsafəsinə hər zaman riayət edin. Təhlükəsizlik üçan məsafə qaydaya

uyğun montaj edilmiş və bükülmüş sükanın uzunluğuna müvafiqdir – sükanı dəyişməyin və cihazı sükanı bükülmüş vəziyyətdə işə salmayın.

Sükanın əksinə heç bir maddə yerləşdirməyin (məs. iş geyimi).

Yalnız gün işığı və ya yaxşı süni işıqlandırılmış mühitdə işləyin.

Cihazla yağış, qılgılcım və ildirim zamanı işləməyin.

Nəm mühitdə yüksək qəza təhlükəsi mövcuddur.

Sürüşmənin qarşısını almaq üçün xüsusilə ehtiyatlı olmaq lazımdır. Mümkün olduqda nəm ərazidə cihazla işə imkan verməyin.

Qarmaq ulduzlarına malik cihazı adfalt yerdə, plitələrdə və s. işə salmayın.

Meyilli yerlərdə, kənar yerlərdə, dəliklər və dambaların yaxınlığında cihaza xüsusi diqqət yetirin. Xüsusilə bu təhlükə sahələrinə qədər olan məsafəyə diqqət yetirin.

Çıxan qaz:



Zəhərlənmə vasitəsilə həyati təhlükə!

Ürəkbulanması, baş ağrısı, görmə qabiliyyətinin pozulması (məs. görüntünün kiçilməsi zamanı), eşitmə qabiliyyətinin pozulması, baş gicəllənmə, konsentrasiyanın pozulması zamanı işi dərhal dayandırın. Bu simptomlar digərləri ilə yanaşı çıxan qazın konsentrasiyası nəticəsində yarana bilər.



Motor işə düşən kimi motordan qalıq qaz havaya çıxır. Bu qazların tərkibində karbon monoksid, rəngsiz və dadsız

qaz, o cümlədən ziyanlı maddələr var. Motoru heç bir zaman bağlı və ya pis havalara ərazidə işə salmayın.

Üfurmə hissəsində çıxan qazların çıxış qurğusuna diqqət yetirin. Üfurmə hissəsini insanlara tərəf yönəltməyin.

İşə başlamaq:

Cihazı ehtiyatla işə salın – "Cihazı işə salın" (⇒ 11.) bölməsindəki göstərişlərə əməl edin. Bu göstərişlərə əsaslanan işə salma yaralanma təhlükəsini azaldır.

Yaralanma təhlükəsi!

İşə salma ipi çevik şəkildə geriye gedirsə, əl və qol tez tanma motoruna doğru yönəldilir, çünki işə salma ipi buraxıla bilər. Bu geriye vurma sümük sınmasına, burulma və ilişmələrə gətirib çıxara bilər.

Ayağınızla iş alətləri arasındakı məsafəyə diqqət yetirin.

Cihazı işə salarkən aşırmaq olmaz.

Hərəkətə salınarkən dartma diski qolu işə salına bilməz.

Sallanma vəziyyətində iş:

Köndələn istiqamətdə yerləşdikdə iş görün, uzununa salladaraq iş görməyin. İstifadəçi heç bir vaxt işləyən cihazın altında dayana bilməz. O, nəzarəti itirdikdə, cihaz onun üstünə çıxa bilər.

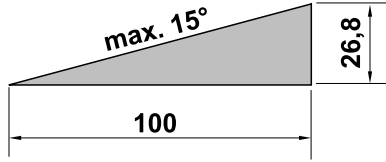
Sallanma zamanı gediş istiqamətini dəyişərkən xüsusilə diqqətli olun.

Sallanma zamanı yaxşı vəziyyətə diqqət yetirin və kəskin sallanma zamanı işin qarşısını alın.

Cihaz fəaliyyət zamanı asılı yerdən aşağı düşə bilər. Təhlükəsizlik səbəbindən cihaz 15°-lik maili yerdə (26,8 %) sallanıla bilməz.

Yaralanma təhlükəsi!

15° asılma meyli şaquli 26,8 sm-lik üfq uzunluqda 100 sm şaquli qalxmaya bərabərdir.



Motorun kifayət qədər yağlanmasına əmin olmaq üçün, cihazı işə salarkən motorun istifadə göstərişlərinə diqqət yetirin.

Fəaliyyət:

! Yaralanma təhlükəsi!

Əlinizi və ya ayağınızı heç bir zaman fırlanan hissələrin üzərinə, altına və ya üstünə aparmayın.

Cihazı təhlükəsizlik səbəbindən hər zaman iki əllə idarə edin – hər iki əl fəaliyyət zamanı sükandakı tutacaqda olmalıdır. Heç bir vaxt bir əllə işləməyin.

İşin dərinliyini yalnız əyləc hissəsindən tənzimləyin.

Cihazı ağır işlənən sahələrdə (məs. daşlı və ya bərk hissələrdə) xüsusi ehtiyatla istifadə əedin – iş alətlərinin fırlanma sürəti azaldın (qazın tənzimlənməsi).

Cihazı addımba-addım işə salın – cihazla iş zamanı heç bir vaxt qaçmayın. Cihazın sürətli istifadəsi zamanı ayağın ilişməsi, sürüşmə və s. zamanı yaralanma təhlükəsi artır.

Diqqət – Yaralanma təhlükəsi!

Cihazı fırlatdıqda, özünü tərif dartdıqda və ya geriye çəkildikdə xüsusilə ehtiyatlı olun və iş alətləri (qarmaq ulduzu) və ayaqlarınız arasındakı məsafəyə diqqət yetirin.

Diqqət – Sürüşmə təhlükəsi mövcuddur!

Cihazın geriye hərəkəti zamanı xidmət heyətinin arxasındakı maneələrə diqqət yetirin.

Cihaz nəyəsə ilişərsə, motoru söndürün, şamı dartın. Cihazı ikinci şəxsın köməyi ilə qaldırın və maneədən azad edin.

Yanma motorunu söndürün.

- maşın nəqliyyata yüklənsə,
- maşın emal edilən sahədən və ya qazona tərəf itələdikdə və çəkildikdə,
- cihazı tərk etdikdə, o cümlədən cihazı nəzarətsiz qoyduqda,
- yanacaq doldurmamışdan əvvəl. Yalnız motor sərin olduqda yanacaq doldurun.
- maşın emal edilməyən sahəyə və ya qazona tərəf itələdikdə və çəkildikdə.

Mühərriki söndürün və alışıdırma şamını dartın.

- bloklamanı aradan qaldırdıqdan əvvəl,
- cihazı qaldırdıqdan və daşdıqdan əvvəl,
- cihazın nəql etdikdən əvvəl,
- cihazın yoxlanılmasından, təmizləməsindən və ya üzərində hər hansı bir başqa əməliyyat icra olunmasından öncə (məsələn sükani tənzimləyin, daşınma şassisini açın),
- kənar maddələr ilişdikdə və ya cihaz anormal titrədikdə. Bu halda cihazı, xüsusilə də iş alətlərini (biçmə çarxını, biçmə çarxının fiksatorunu, ötürücü diski) zədələnməyə qarşı yoxlayın və cihazı yenidən işə salmadan və onunla işləmədən öncə zəruri təmir işlərini yerinə yetirin.



Yaralanma təhlükəsi!

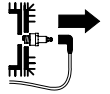
Güclü vibrasiya adətən xəta göstəricisidir. Mühərrikli kultivator zədələnmiş və ya əyilmiş ötürücü disk ilə və ya zədələnmiş iş alətləri ilə işə salına bilməz.

Əgər müvafiq təcrübəniz yoxdursa, zəruri təmir işlərini mütəxəssisə – STIHL, STIHL mütəxəssislərini tövsiyə edir – icra etdirin.

4.7 Texniki baxış və təmir işləri

Təmizləməyə, quraşdırmaya, təmirə və texniki baxış işlərinə başlamamışdan əvvəl:

- Cihazı bərk, hamar yerdə yerləşdirin,
- Motoru söndürün və soyumasına imkan yaradın,
- Şamı çıxarın.



Diqqət - Yaralanma təhlükəsi!

Yandıрма şamı ştekerini yandıрма şamından kənar tutun, nəzarətsiz qığılcım yanma və ya enerji pozuntusuna gətirib çıxara bilər. Şamın keçiricisi ilə nəzarətsiz əlaqəsi yanma motorunun arzuolunmaz fəaliyyətinə gətirib çıxara bilər.

Texniki baxış və ya təmizləmə işləri üçün cihazı geriye çəkin. Cihaz yana və ya qabağa keçərsə, yanma motorunda və digər cihaz hissələrində zədələnmə baş verə bilər və bu, baha təmirlə nəticələnə bilər.

Texniki baxış işlərindən əvvəl cihazın mexanizmi, yandıрма motoru, üfurmə hissəsi və buxarlandırıcı sahəsinin sərinləməsini gözləyin. 80° C və daha artıq temperatur yarana bilər. **Yanma təhlükəsi!**

Motor yağı ilə birbaşa əlaqə təhlükəli ola bilər, bundan əlavə motor yağı silkələnə bilməz.

STIHL mühərrik yağının doldurulmasını, o cümlədən mühərrik yağının dəyişdirilməsini STIHL distribütoruna həvalə etməyi məsləhət görür.

Cihazı anbarda saxlamamışdan əvvəl (məs. qış fasiləsindən əvvəl) yeyilmə və zədələrə qarşı yoxlayın. Təhlükəsizlik səbəbindən yeyilmiş və ya zədələnmiş hissələri dərhal dəyişin ki, cihaz hər zaman təhlükəsiz şəkildə işləyə bilsin.

Təmizləmə:

İşdən sonra cihaz tam təmizlənməlidir. (⇒ 12.2)

Toplanmış qalıqları taxta çubuq vasitəsi ilə kənarlaşdırın. Cihazın aşağı hissəsini fırça və su ilə təmizləyin.

Güclü təmizləyici vasitələrdən istifadə etməyin. Bunlar, STIHL cihazınızın təhlükəsiz istismarını zəiflədəcək plastik və metal hissələri zədələyə bilər.

Cihazın alt hissəsi (qoruyucu qatın aşağısındakı bütün hissələr) yüksək təzyiqli təmizləyici və buxar çiləyici ilə təmizləyə bilərsiniz. Ən azı 1 m məsafə saxlayın və su axını anbarlama yerinə və qalın yerlərə yönəltməyin – xüsusilə tüstü çıxan və qoruyucu qatın arasına yönəltməyin.

Yağın təhlükəsinin qarşısını almaq üçün soyuq hava hissələrini, sərincəmə alətlərini və hava üfurmə yerini məs. ot, saman, şibyə, yarpaq və digər yağlardan təmiz saxlayın.

Texniki baxış işləri:

Yalnız bu istifadə təlimatında göstərilən texniki baxış işləri icra edilə bilər. Bütün digər işləri mütəxəssis vasitəçi icra etməlidir.

Əgər zəruri təcrübəniz və ya köməkçi avadanlığınız yoxdursa, lütfən, **həmişə** mütəxəssis vasitəçi ilə əlaqə saxlayın.

STIHL, texniki baxış və təmir işlərini yalnız STIHL mütəxəssis vasitəçi tərəfindən həyata keçirməyinizi tövsiyə edir. STIHL-in mütəxəssis vasitəçiləri müntəzəm olaraq təlim kurslarında iştirak edir və texniki məlumat ilə təmin edilir.

Yalnız STIHL tərəfindən bu maşın üçün təsdiqlənmiş alətlər, aksesuarlar və ya qurulmuş cihazlardan, yaxud texniki cəhətdən eyni hissələrdən istifadə edin. Əks halda, fərdi xəsarət və ya maşının zədələnməsi ilə nəticələnən qəzalar təhlükəsi yarana bilər. Əgər hər hansısa bir suallarınız varsa, lütfən, mütəxəssis vasitəçi ilə məsləhətləşin.

Orijinal STIHL alətləri, aksesuarlar və ehtiyat hissələrinin xarakteristikası ən yaxşı şəkildə maşın və istifadəçinin tələblərinə uyğunlaşdırılıb. Əsl STIHL ehtiyat hissələri STIHL ehtiyat hissələrinin nömrəsinə, STIHL yazısına və əgər varsa, STIHL ehtiyat hissələri simvoluna görə tanınır. Kiçik hissələrdə yalnız simvol ola bilər.

Təhlükəsizlik tədbirləri üçün yanacaq daşıyıcı komponentlər (yanacaq borusu, yanacaq kranı, yanacaq çəni, çən qapağı, keçidlər və s.) müntəzəm olaraq korlanma və sızıntıya qarşı yoxlanılmalıdır və lazım olduqda bir mütəxəssis tərəfindən dəyişdirilməlidir (STIHL öz distribütorunu təklif edir).

Xəbərdarlıq və məlumat yapışqanlarını həmişə təmiz və oxunaqlı saxlayın. Zədələnmiş və ya itmiş yapışqanlar STIHL mütəxəssis vasitəçisindən yeni, orijinal lövhələr ilə dəyişdirilməlidir. Əgər komponent yeni komponent ilə əvəz

edilibsə, yeni komponentin eyni yapışqanlar ilə təmin edildiyindən əmin olun.

Cihazı təhlükəsiz vəziyyətə gətirmək üçün bütün qayka, bolt və vintləri bərkidin.

Motorun ilkin parametrlərini heç bir vaxt dəyişməyin və onu fırlatmayın.

Texniki baxış üçün hissələr və ya qoruyucu alətlər kənarlaşdırıldıqda onlar müvafiq şəkildə və qaydalara əsasən yenidən qurulmalıdır.

İş alətlərinin dəyişdirilməsi zamanı (biçmə çarxı) biçmə çarxı növünə və kombinasiyasına diqqət yetirin – yalnız STIHL tərəfindən icazə verilmiş variantları istifadə edin.

4.8 Uzun fasilələr zamanı anbarlama

Cihazı qapalı yerdə saxlamamışdan əvvəl motorun soyumasını gözləyin.

Boşaldılmış çənə malik cihazı və maye ehtiyatını bağlanan və yaxşı havalandırılan otaqda saxlayın.

Cihazın yersiz istifadədən (məs. uşaqlar tərəfindən) qorunduğuna əmin olun.

Heç bir vaxt binanın daxilində içində benzin olan cihazı saxlamayın. Yaranan benzin buxarı açıq alov və ya qılgıcılıma əlaqəyə girə və yana bilər.

Çən qış fasiləsindən əvvəl boşaldılmalı olduqda, sərbəst bir yerdə bu yerinə yerləşdirilməlidir (məs. boşuna işlətməklə).

Cihazı anbarda saxlamamışdan əvvəl (məs. qış fasiləsində) tam təmizləyin.

Cihazı şamı çölə dartılmış şəkildə anbarda saxlayın.

Cihazı müvafiq şəkildə saxlayın.

Cihazı örtməmişdən əvvəl onun tam soyumasına imkan verin.

4.9 Tullantının emalı

İstifadə olunmuş neft və ya yanacaq, sürtkü yağları, filtrlər, batareyalar və bənzər aşınma hissələri kimi tullantı məhsulları insanlara, heyvanlara və ətraf mühitə zərər verə bilər və buna görə düzgün şəkildə xaric olunmalıdır.

Tullantı məhsullarının düzgün şəkildə necə xaric olunmasına dair məlumat almaq üçün Təkrar Emal mərkəzinizə və ya distribütorunuza müraciət edin. STIHL, STIHL mütəxəssis vasitəçilərini tövsiyə edir.

Tam istifadə olunmuş cihazın ixtisaslı şəkildə emal olunduğuna əmin olun. Zəhmət olmasa, "Ətraf mühitin qorunması" bölməsində məlumatlara baxın. (⇒ 14.)

5. İşarələrin təsviri



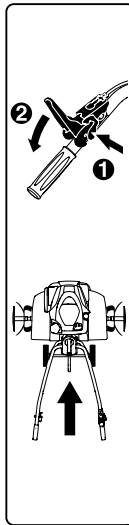
Diqqət! – Yaralanma təhlükəsi!

İşə salmamışdan əvvəl istifadə təlimatını və təhlükəsizlik göstərişlərini oxuyun və diqqət yetirin.

Fırlanan alət: Əl və ayaqları fırlanan alətlərdən kənar tutun. Qoruyucu örtüklə işə salma.

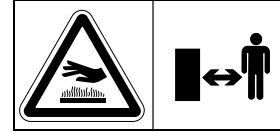
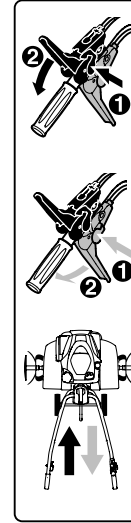
Təhlükəsizlik üçün məsafə saxlanılmalıdır.

Texniki baxış və təmizləmə işlərindən əvvəl yandırma şamını dartın.



MH 445:

Təhlükəsizlik tədbirləri ilə əlaqədar olaraq, hərəkət qolunu işə salmadan önce ilkin olaraq azad etmə qolu basılmalıdır. Bununla hərəkət qolunun nəzərdə tutulmayan istifadəsinin qarşısı alınır.



Yanma təhlükəsi!

İsti səthlərə əl vurmayın. Mexanizm tüstüsü isti olur.

6. Çatdırılma həcmi



Eleme Təyinat

		Ədəd.
A	Əsas cihaz	1
B	Sükan	1
C	Dartma qolu	1
D	Nəql aləti	1
E	Əyləc qolu	1
F	Soldaki qoruyucu zolaq	1

Eleme Təyinat nt		Ədəd.
G	Sağdakı qoruyucu zolaq	1
H	MH 445, MH 445 R: Biçmə çarxı	4
I	MH 560, MH 585, MH 685: İkiqat biçmə çarxı	2
J	MH 585, MH 685: Adi biçmə çarxı	2
K	Qoruyucu həlqə	2
L	Bitkini qoruyan disk	2
M	Hərəkət qolu (İrəliyə) qara	1
N	MH 445 R, MH 560, MH 585, MH 685: Hərəkət qolu (Geriyyə) qırmızı	1
O	MH 445: Təhlükəsizlik qaykası M6	1
P	MH 445: Qapaq	1
Q	Təhlükəsizlik qaykası M6	1
R	Hamar və dairəvi vint M6	1
S	MH 445, MH 445 R, MH 585, MH 685: Qapaq fiksatoru 10x40	6
	MH 560: Qapaq fiksatoru 10x40	4
T	Hamar və dairəvi vint M8	2
U	Altılıq qayka M8	2
V	Kabel birləşdiricisi	2
–	İstifadə təlimatı	1
–	İstifadə təlimatı Daxili yanma mühərriki	1
–	MH 560, MH 585, MH 685: alışdırma şamı açarı	1

7. Cihazı işə hazırlamaq

7.1 Montaja dair göstəriş



Yaralanma təhlükəsi!

"Təhlükəsizliyinizə dair"
bölməsindəki təhlükəsizlik
göstərişlərinə riayət edin. (⇒ 4.)
Xüsusilə alışdırma şamını dartın və
biçmə çarxı ilə iş zamanı zirehli
əlcək geyinin.

Fırlanma anına diqqət yetirin!

Dartma kəməri və drossel kabelini
yalnız təsvir edilmiş şəkildə
quraşdırın və asın.

Yanlış quraşdırılmış dartma
kəmərləri (məs. yanlış yere
köçürülmə və ya yanlış mühərrik
qolundan asma) xəyata səbəb ola
bilər.

- Bütün təsvir olunmuş işlər təmiz, tarazlanmış, hamar və bərk səthdə yerinə yetirin.
- Quraşdırma mövqələrinə diqqət yetirin – hər zaman cihazın sabit və təhlükəsiz vəziyyətinə diqqət yetirin.
- Cihazın zədələnməsinin (məsələn, sükan çarxını aşağı çəkərkən) qarşısını almaq və ya mümkün xətdən yayınmaq üçün dartma kəmərinin quraşdırılmasına dair təyinatları, xüsusilə də **kabel birləşdiricilərinə** malik bütün dartma kəmərlərinin sükana bərkidilməsi haqqında təlimata dəqiqliklə riayət edin.

- Sükanın yuxarı hissəsindəki qara hərəkət qolu.
- Bir dartma kəməri (irəliyə).
MH 445 R, MH 560, MH 585, MH 685:
- Sükanın yuxarı hissəsindəki qara hərəkət qolu.
- Sükanın aşağı hissəsindəki qırmızı hərəkət qolu.
- Bir dartma kəməri (irəliyə). Dartma kəməri **qara qapaqla** təchiz olunub və qara hərəkət qolundan asılır.
- Bir dartma kəməri (geriyə). Dartma kəməri **qırmızı qapaqla** təchiz olunub və qırmızı hərəkət qolundan asılır.

7.2 Hərəkət alətini montaj etmək:



- Montaj mövqeyi:
İlkin cihazı (A) şəkildəki kimi qabağa itələyin və sabitləşdirmək üçün hər iki mexanizm dalğasında aidiyyatlı taxta hissələri (1) (hündürlüyü 50 - 60 mm, Eni/Uzunluğu təqr. 100 mm) yerləşdirin.
- **1** Tutma alətini (2) yuxarı bükün və saxlayın.
- **2** Nəql alətini (D) istisna olaraq (3) boltlarla ayırma tutacağına (4) keçirin.
- Nəql alətini (D) sona qədər yuxarı basın və saxlayın.
- **3** Tutma alətini (2) aşağı bükün. (T) vintlərini hər iki tərəfdən aşağı keçirin.
- **4** Tutma alətini (2) hər iki qaykanı fırladaraq (U) bərkidin.

Hərəkət qolu, dartma kəməri

MH 445:

7.3 Əyləc hissəsini montaj etmək:



- Montaj mövqeyi: "Hərəkət alətini montaj etmək" bölməsinə baxın (⇒ 7.2)
- Boşaltma boltlarını (1) basın və saxlayın.
- Əyləc alətini (E) aşağıdan adaptor boyu (2) keçirin və toxunana qədər yuxarı dartın.
- Boşaltma boltlarını (1) boşaldın və əyləc alətin (E) işə düşənə qədər aşağı dartın.
- Əyləc alətinin (E) oturacağıının təhlükəsizliyini yoxlayın.

7.4 Sükanı montaj edin



- **1** Montaj mövqeyi: baxın "Gediş alətini montaj edin" (⇒ 7.2)
- Rezin lenti (1) çıxarın.
- **2** Konsolu (2) qaldırın və saxlayın.
- **3** Sükanı (B) vurulana qədər Konsol (2) və sükanın aşağı hissəsi (3) arasında mərkəzi şəkildə yerləşdirin. Lələyin ucu (4) şəkildə göstərilirdiyi kimi qalıq aləti (5) boyu keçməlidir. Lələyin göstərilmiş mövqeyini (4) yerləşdirmə elementində (6) yoxlayın, lazım gələndə lələyi asın.
- **4** Vinti (7) bərk dartın.
- **5** Qaykanı (8) dartma tutacağından (C) kənara burun və lələk ilə (9) çıxarın.

- Gərginlik tutacağı (C) inteqrə edilmiş vint ilə yuxarıdan Konsol (2) boyu və sükanın aşağı hissəsi (3) boyu itələyin. Lələyi (9) gərginlik tutacağı üzərinə (C) itələyin. Qaykanı (8) bir-iki dəfə fırladın.



Göstəriş!

Gərginlik tutacağı (C) elə montaj edin ki, o, dartma alətinə doğru yanma motoruna tərəf basılmış olsun.

- **6** Sükanın yuxarı hissəsinin (3) mərkəzi mövqeyini seçin. (⇒ 11.3)
- Gərginlik tutacağı (C) əl ilə qabağa itələyin.
- Qaykanı (8) 5 Nm ilə fırladın (tam toxunan kimi deyil).
- İlişməni yoxlayın: Gərginlik tutacağıının montajı (C) düzgün qurulub, bu zaman gərginlik tutacağı əl ilə işə salmaq olar və bu zaman sükan bərk şəkildə ilkin cihazda bərkidilir.
- Gərginlik gücünü sonradan qurun: Sükan kifayət qədər sıxılmadıqda və ya gərginlik tutacağı əl ilə işə salına bilinmədikdə, gərginlik tutacağı boşaldın və gərginlik gücünü qaykanın (8) açılıb və ya boşalması ilə tənzimləyin. Gərginlik tutacağı yenidən irəliyə basın.



Yaralanma təhlükəsi!

Cihaz cihaz üzərində tam bərkidilmiş sükan (bu halda sükan boş ola bilməz) vasitəsilə itələyə və ya dartıla bilər.

7.5 Sükanı açmaq



- Dartma qolunu (1) əl ilə yuxarıya dartın. Əyilən yuxarı hissəni (2) sütun istiqamətində bağlayın.
- Dartma tutacağı (1) dəyənə kimi qabağa itələyin.
- Sükanın hündürlüyünü qurmaq. (⇒ 11.2)

7.6 Qoruyucu hissənin montajı



- Qoruyucu hissədə (1) əvvəlcədən montaj edilmiş vintləri (F, G) yoxlayın – tam çıxartmayın.
- Motor qarmağını təmizləmə mövqeyinə gətirin. (⇒ 12.2)
- Qoruyucu hissəni solda (F) əvvəlcədən montaj edilmiş vintlərlə (1) örtmə qatının üç dəliyinə (2) yerləşdirin.
- Qoruyucu hissəni (F) qabağa itələyin və saxlayın.
- Vintləri (1) fırladın və 10 - 12 Nm ilə dartın.
- Qoruyucu hissənin təhlükəsiz yerləşməsinə (F) nəzarət edin və sonra sağ qoruyucu hissəni (G) eyni şəkildə montaj edin.

7.7 Bıçmə çarxı quraşdırılması MH 445, MH 445 R



- Mühərrikli kultivatoru təmizləmə mövqeyinə gətirin. (⇒ 12.2)



Montaj təlimatına riayət edin.

Xüsusilə ardıcılığa diqqət yetirin və qoruyucu həlqəni, biçmə çarxını və fiksatoru göstərilən kimi tam quraşdırın. Qapaq fiksatorunu quraşdırarkən göstərilmiş plaqinin və təhlükəsizlik kronşteynin istiqamətinə diqqət yetirin. Yanlış və ya tərsinə quraşdırılma zamanı qapaq fiksatoru öz-özünə boşala və itə bilər.

Yaxşı nəticə əldə etmək üçün biçmə çarxının ülgücləri önə doğru yönəlməlidir (sükana doğru deyil) – ox işarələrinə diqqət yetirin.

Biçmə çarxı anlayışı:

- Biçmə çarxı (1):
Sabitləyici diskin eyni böyüklükdəki xarici diametri (2).
- Biçmə çarxı (3):
Sabitləyici diskin fərqli xarici diametri (4).

1

- Qoruyucu həlqəni (K) hərəkət dalğasına çatana qədər (5) itələyin. Qoruyucu həlqənin çıxışlarını (6) ötürmə qutusunun üç əyləc qolunda yerləşdirin.
- Biçmə çarxını (1) elə yerləşdirin ki, **qısa** qısa sabitləyici disk (2) ötürmə qutusunu göstərsin və (7) ülgücləri önə doğru yönəlsin. Biçmə çarxının üzərindəki oxları (8) və ötürmə qutusunun üzərindəki ox (9) eyni istiqamətdə (6) olmalıdır.
- Biçmə çarxını (1) ötürücü diskinin (5) üzərindən kənarlaşdırın.
- Biçmə çarxını (1) elə fırladın ki, sabitləyici diskin və ötürücü diskin dəlikləri uyğun gəlsinlər.

2

- Qapaq fiksatorunu (S) dəliklərdən daxil edin və təhlükəsizlik kronşteynini bağlayın.

3

- Biçmə çarxını (3) elə yerləşdirin ki, **kiçik** sabitləyici diskin (4) xarici diametri artıq quraşdırılmış (1) biçməçarxını göstərsin və ülgücləri (7) önə doğru yönəlsin. Biçmə çarxının üzərindəki oxları (8) və ötürmə qutusunun üzərindəki ox (9) eyni istiqamətdə (6) olmalıdır.
- Biçmə çarxını (3) artıq quraşdırılmış biçmə çarxına (1) daxil edin.
- Biçmə çarxını (3) elə fırladın ki, hər iki biçmə çarxının dəlikləri bir-birinə uyğun gəlsin.

4

- Qapaq fiksatorunu (S) dəliklərdən daxil edin və təhlükəsizlik kronşteynini bağlayın.
- Lazım olduqda bitkini qoruyan diski quraşdırın. (⇒ 7.9)
- Biçmə çarxı quraşdırılmasını ikinci tərəfdə təkrarlayın.

7.8 Biçmə çarxı quraşdırılması MH 445, MH 585, MH 685



- Mühərrikli kultivatoru təmizləmə mövqeyinə gətirin. (⇒ 12.2)



Montaj təlimatına riayət edin.

Xüsusilə ardıcılığa diqqət yetirin və qoruyucu həlqəni, biçmə çarxını və fiksatoru göstərilən kimi tam quraşdırın. Qapaq fiksatorunu quraşdırarkən göstərilmiş plaqinin və təhlükəsizlik kronşteynin istiqamətinə diqqət yetirin. Yanlış və ya tərsinə quraşdırılma zamanı qapaq fiksatoru öz-özünə boşala və itə bilər.

Yaxşı nəticə əldə etmək üçün biçmə çarxının ülgücləri önə doğru yönəlməlidir (sükana doğru deyil) – ox işarələrinə diqqət yetirin.

Biçmə çarxı anlayışı:

- Biçmə çarxı (I):
ikicərgəli biçmə çarxı.
- Biçmə çarxı (J):
bircərgəli biçmə çarxı.

1 MH 560, MH 585, MH 685

- Qoruyucu həlqəni (K) hərəkət dalğasına çatana qədər (1) itələyin. Qoruyucu həlqənin çıxışlarını (2) ötürmə qutusunun üç əyləc qolunda yerləşdirin.
- Biçmə çarxını (I) elə yerləşdirin ki, **qısa** sabitləyici disk (3) ötürmə qutusunu göstərsin və (4) ülgücləri önə doğru yönəlsin. Biçmə çarxının üzərindəki oxları (5) və ötürmə qutusunun üzərindəki ox (6) eyni istiqamətdə (2) olmalıdır.
- Biçmə çarxını (I) ötürücü diskinin (1) üzərindən kənarlaşdırın.
- Biçmə çarxını (I) elə fırladın ki, sabitləyici diskin və ötürücü diskin dəlikləri uyğun gəlsinlər.

2 MH 560, MH 585, MH 685

- Qapaq fiksatorunu (S) dəliklərdən daxil edin və təhlükəsizlik kronşteynini bağlayın.

3 MH 585, MH 685

- Biçmə çarxını (J) elə yerləşdirin ki, **qısa** sabitləyici diski (7) ötürmə qutusunu (I) göstərsin və ülgüçləri (4) önə doğru yönəlsin. Biçmə çarxının üzərindəki oxları (5) ötürmə qutusunun üzərindəki ox (6) eyni istiqamətdə (2) olmalıdır.
- Biçmə çarxını (J) artıq quraşdırılmış biçmə çarxına (I) daxil edin.
- Biçmə çarxını (J) elə fırladın ki, hər iki biçmə çarxının dəlikləri bir-birinə uyğun gəlsin.

4 MH 585, MH 685

- Qapaq fiksatorunu (S) dəliklərdən daxil edin və təhlükəsizlik kronşteynini bağlayın.

MH 560, MH 585, MH 685

- Lazım olduqda bitkini qoruyan diski quraşdırın. (⇒ 7.9)
- Biçmə çarxı quraşdırılmasını ikinci tərəfdə təkrarlayın.

7.9 Bitki qorunması diskini montaj edin.



10

- **i** Qapağın montajı zamanı şəkildə göstərilmiş yerləşdirmə istiqaməti və təhlükəsizlik alətinin gedişinə dəqiq diqqət yetirin. Yanlış və səhv montaj zamanı qapaq öz-özünə boşala və itə bilər.

- Bitki qorunması diskini (L) xarici qarmaq ulduzuna yerləşdirin. Bitki qoruyucu diski elə fırladın ki, diskin dəlikləri və qarmaq ulduzları uyğun gəlsinlər.
- Qapaq şplintini (S) dəliklər vasitəsilə bərkidin və təhlükəsizlik alətlərini örtün.
- Bu gedişatı hər iki tərəfdə təkrarlayın.

7.10 Hərəkət qolunu quraşdırın



11

- Montaja dair göstərişə diqqət yetirin. (⇒ 7.1)
- Qara hərəkət qolunu (M) vintləri vasitəsi (1) ilə sükanın yuxarı hissəsindəki dəlikdən daxil edin.
- MH 445: Təhlükəsizlik qaykasını (O) fırladın və 7 - 9 Nm ilə bərkidin. Örtüyü (P) açın.
- MH 445 R, MH 560, MH 585, MH 685: Qırmızı hərəkət qolunu (N) elə yerləşdirin ki, qara qolun vintini qırmızı qola bərkidilmiş qayka ilə burmaq olsun. Qırmızı hərəkət qolunu (N) yuxarıya sükanın əksi istiqamətində sıxın. Vinti (1) fırladın və 7 - 9 Nm ilə bərkidin.

7.11 Dartma kəmərinə köçürün



12

- Montaja dair göstərişə diqqət yetirin. (⇒ 7.1)
- **1** Dartma kəmərinə (irəliyə) (1) burun və dəstəkdən (2) asın.
- **2** Qaykanı (3) 2 - 4 Nm ilə bərkidin.

- Dartma kəmərinə (irəliyə) (1) aşağıdakı kimi yuxarıya doğru dartın:
A Dartma kəmərinə (irəliyə) (1) sükanın yuxarı hissəsindən (4) dartın.
B Dartma kəmərinə (irəliyə) (1) sükanın yuxarı hissəsindəki (5) çarpaz elementindən aşağıda yerləşdirin.
- MH 445 R, MH 560, MH 585, MH 685: Dartma kəmərinə (geriyə) (6) mühərrikin sağ tərəfində döndərmə qolunun (7) altında yerləşdirin. Dartma kəməri kimi (irəliyə) sükandakı ipi də yuxarıya dartın.

7.12 Dartma alətini asmaq



13

- Montaja dair göstərişə diqqət yetirin. (⇒ 7.1)

Dartma kəməri (irəliyə):

- Dartma kəmərinin (1) ucunu qara başlıq vasitəsi (2) ilə qara hərəkət qoluna (M) gətirin.
- Ucluğu (1) qolun (3) açılması ilə (4) işə salın. Bu zaman lazım olan kəlbətdən istifadə edin.
- Uyğun kəlbətin vasitəsi ilə ucluğunu (1) dartın və onu göstəriləni kimi qolundan (4) asın.
- Hərəkət qolununun üzərindəki (4) başlığını (2) basın və işə salın.
- **İşə nəzarət:** Hərəkət qolunu işə salın. (⇒ 8.2) Hərəkət qolu asan işə düşməlidir.

Dartma aləti (geriyə)

MH 445 R, MH 560, MH 585, MH 685:

- Dartma kəmərinin ucunu qırmızı başlıq vasitəsi ilə qırmızı hərəkət qoluna gətirin.

- Digər quraşdırılma işləri dartma kəmərinin quraşdırılması (irəliyə) ilə eynidir.

7.13 Drosseli yerləşdirmək və montaj etmək



- Montaja dair göstərişə diqqət yetirin. (⇒ 7.1)
- Drosseli (1) burmaq və aşağıdakı kimi yerləşdirmək:
 - A** Drosseli sükanın yuxarı hissəsindən (2) keçirin.
 - B** Drosseli sükanın yuxarı hissəsinin (3) çarpaz elementində yerləşdirin.
- Drossel axının dəliyindəki (T) vinti (4) yerləşdirin. Drossel axınınu müvafiq vintlə daxildən sükanın yuxarı hissəsinə yerləşdirin və saxlayın. Təhlükəsizlik qaykasını (U) bağlayın və 7 - 9 Nm ilə bərkidin.

7.14 İpi sükana bərkidin



- Montaja dair göstərişə diqqət yetirin. (⇒ 7.1)
- MH 445: Dartma kəmərinin (1) bir kabel birləşdiricisi (V) ilə sükanın yuxarı hissəsinin sağ tərəfinə bərkidin.
- MH 445 R, MH 560, MH 585, MH 685: Hər iki dartma kəmərinin (1, 2) bir kabel birləşdiricisi (V) ilə sükanın yuxarı hissəsinin sağ tərəfinə bərkidin.
- Drossel kabelini (3) kabel birləşdirici (V) ilə sükanın yuxarı hissəsinin sol tərəfinə bərkidin.
- Kabelin möhkəm oturmasına nəzarət edin. Kabelin kənara çıxan ucunu kəsin.

7.15 Yanacaq və motor yağı



Cihaza ziyan vurulmasının qarşısını alın!

Birinci dəfə işə başlamamışdan əvvəl motor yağını doldurun. Motor yağını doldurmamışdan əvvəl, o cümlədən çəni doldurarkən yardımçı hissədən (məs. qıfıdan) istifadə edin.

Motor yağı:

Motor üçün ayrıca təmin olunmuş təlimat kitabçasındakı motor yağı və onun miqdarı ilə bağlı göstərişlərə diqqət yetirin.

Dolma səviyyəsinə müntəzəm olaraq nəzarət edin (Motorun istifadə təlimatlarına baxın).

Yağın normadan az və çox olmasına imkan verməyin.

Yağ çəni qapağını motoru işə salmamışdan əvvəl müvafiq şəkildə bərkidin.



Yanacaq:

Məsləhət:

təzə yanacaq, qurğuşunsuz benzin.

Motor üçün ayrıca təmin olunmuş təlimat kitabçasında istifadə olunan yanacağın keyfiyyəti (oktanın miqdarı) ilə bağlı göstərişlərə diqqət yetirin.



8. Xidmət elementi

8.1 Drossel qolunun yerləşdirilməsi



Drossel qolunun yerləşdirilməsi ilə (1) yandırma motorunun fırlanma sayı tənzimləne bilər.

Start mövqeyi:

- Drossel qolunun yerləşdirilməsini (1) dəyəne kimi **geriyə** dartın.
- Motor işə salına bilər. (⇒ 11.6)

Stopp mövqeyi:

- Drossel qolunun yerləşdirilməsini (1) dəyəne kimi **qabağa** (biçmə səviyyəsinə diqqət yetirin) itələyin.
- Motor bir neçə saniyədən sonra dayanır.

Fırlanma sayının tənzimlənməsi:

- Drossel qolunun yerləşdirilməsini (1) hərəkət edən motorda yerinə yetirməyin.

Motorun fırlanma sayı:

Tez



Yavaş



8.2 Hərəkət qolu

İşləyən mühərrikdə hərəkət qollarının (1, 3) işə salınması ilə ötürücü sıxılır və ya buraxılır – ötürücü disk fırlanmağa başlayır və ya dayandırılır.

Qara hərəkət qolu (irəliyə) (1) vasitəsilə mühərrikli kultivator ilə zəmin arasında əlaqə yaranır və quraşdırılmış biçmə çarxları **önə doğru** hərəkət edir.

Qırmızı hərəkət qolu (geriyə) (3) vasitəsilə mühərrikli kultivator ilə zəmin arasında əlaqə yaranır və quraşdırılmış biçmə çarxları **geriyə doğru** hərəkət edir.



18

19

Təhlükəsizlik tədbirləri ilə əlaqədar olaraq hərəkət qolu nəzərdə tutulmayan işə salmaya qarşı mexaniki şəkildə bağlanılır. (⇒ 9.1)

Bundan əlavə, MH 445 R, MH 560, MH 585, MH 685 modellərində mexaniki qoruma məqsədi ilə həmişə yalnız bir hərəkət qolu sıxıla bilər-ya hərəkət qolunu (irəliyə) ya da hərəkət qolunu (geriyə).



Cihazın zədələnməsinə yol verməyin!

Hərəkət qolunu sürətlə və cəld işə salın, yarım basılmış halda saxlamayın – kəmərlərdə aşınmanın qarşısını alın.

Hərəkət qolunu (irəliyə) işə salın:



- **1** Azad etmə qolunu (2) hərəkət qoluna toxunana qədər (irəliyə) (1) basın və saxlayın.
- **2** Hərəkət qolunu (irəliyə) (1) dayanana qədər sürətlə basın və saxlayın.
- Ayırma qolunu (2) buraxın. Mexanizm birləşib və mexanizm dalğası fırlanır.
- **3** Mexanizmi ayırın: Hərəkət qolunu (irəliyə) (1) işə salın.

Hərəkət qolunu (geriyə) işə salın (MH 445 R, MH 560, MH 585, MH 685):



- **1** Azad etmə qolunu (4) hərəkət qoluna toxunana qədər (geriyə) (3) basın və saxlayın.
- **2** Hərəkət qolunu (geriyə) (3) dayanana qədər sürətlə basın və saxlayın.
- Ayırma qolunu (4) buraxın. Mexanizm birləşib və mexanizm dalğası fırlanır.

- **3** Mexanizmi ayırın: Hərəkət qolunu (geriyə) (3) işə salın.

9. Təhlükəsizlik qurğusu

Maşın təhlükəsiz istismar və qeyri-müvafiq istifadənin qarşısının alınması üçün bir neçə təhlükəsizlik cihazı ilə təchiz edilib.



Zədələnmə təhlükəsi!

Təhlükəsizlik qurğuları silinə, bükülə, dəyişdirilə və ya zədələnmə bilməz. Təhlükəsizlik qurğularının hər hansı birində bu cür qüsurlar aşkar olunarsa cihaz istifadə olunma bilməz. Mütəxəssis vasitəçi ilə məsləhətləşin; STIHL, STIHL mütəxəssis vasitəçisini tövsiyə edir.

9.1 Dartma diski qolunu burmaq

Dartma diski qolu təhlükəsizlik səbəbindən mexaniki şəkildə bağlanıb, bununla icazesiz işə salmanın qarşısı alınır.

Dartma diski qolunu işə salmaq üçün ilk olaraq boşaltma qolu basılmalıdır. (⇒ 8.2)

9.2 Qoruyucu alet

Motor qarmağı qoruyucu hissə ilə təmin olunub, o, iş alətləri ilə yersiz əlaqənin qarşısını alır və yüksək sürətli maddələrdən qorumanı təmin edir. Buraya yan qoruyucular, qoruyucu qat və müvafiq şəkildə montaj edilmiş sükan daxildir.

10. İşə dair göstərişlər

10.1 xidmət göstərən iş sahəsi



- Xidmət göstərən bütün fəaliyyət zamanı (yanma motoru fəaliyyətdə olduqda) təhlükəsizlik səbəbindən iş sahəsində (boz sahə 1) olmalıdır.
- Motor qarmağına yalnız bir nəfər xidmət göstərə bilər, üçüncü tərəf təhlükə sahəsindən kənarında durmalıdır. (⇒ 4.)

10.2 Cihazın iş mövqeyi



- Motor qarmağı yerdə dayanarkən (yandırma motoru yuxarıda) işə salına bilər. Bütün fəaliyyəti zamanı motor qarmağını mümkün qədər taraz şəkildə işə salın və güclü əyilmə və ya aşmanın qarşısını alın.

10.3 Biçmə çarxı kombinasiyaları



Sol və sağ ötürücü diskə həmişə eyni sayda biçmə çarxı quraşdırın.

Bitkini qoruyan diskler bütün göstərilmiş biçmə çarxı kombinasiyalarında quraşdırıla bilər. O, kiçik bir ərazidə aparılan biçmə zamanı ətrafdakı bitkiləri, məsələn, qoruyur.

Mümkün kombinasiyalar

MH 445, MH 445 R:

- 2 biçmə çarxı: hər ötürücü diskdə bir bircərgəli biçmə çarxı

- 4 biçmə çarxı:
hər ötürücü diskdə iki bircərgəli biçmə çarxı

Mümkün kombinasiyalar MH 560:

- 2 biçmə çarxı:
hər ötürücü diskdə bir ikicərgəli biçmə çarxı

Mümkün kombinasiyalar MH 585, MH 685:

- 2 biçmə çarxı:
hər ötürücü diskdə bir ikicərgəli biçmə çarxı
- 4 biçmə çarxı:
hər ötürücü diskdə bir ikicərgəli və bir bircərgəli biçmə çarxı

10.4 İş zamanı ideal bədən quruluşu



İdeal bədən quruluşu iş zamanı tez yorulmanın qarşısını alır.

Bunun üçün cihaz (sükanın yuxarıya yerləşdirilməsi, əyləcin qurulması) elə qurulmalıdır ki, bütün iş zamanı düz bədən (kürək) quruluşu yaransın.

İdela bədən quruluşu:

- düz kürək
- düz ayaqlar
- qollar asanlıqla aşağı bükülür

11. Cihazı işə salmaq

11.1 Hazırlıq tədbirləri



Yaralanma təhlükəsi!

"Sizin təhlükəsizliyinizə dair" bölməsindəki təhlükəsizlik göstərişlərinə diqqət yetirin (⇒ 4.) və motor qarmağının xidmət elementləri ilə tanış olun. (⇒ 8.)

- Motor yağının səviyyəsinə nəzarət edin və doldurun. (⇒ 7.15)

11.2 Sükanın yuxarı hissəsinin qurulması



Sükanın yuxarı hissəsi hündürlükdə qurula bilər.

- Nəql alətini açın. (⇒ 11.4)
- Bir əllə sükanın yuxarı hissəsinə (1) tutacaqda (2) bərkidin və tutun.
- İkinci əl ilə gəginlik qolunu (3) arxaya dartın və saxlayın.
- Sükanın yuxarı hissəsinə (1) arzu olunan mövqeyə gətirin.
- Dartma qolunu (3) qabağa itələyin və sükanın yuxarı hissəsinin tam olmasına və bərkidilməsinə diqqət yetirin.
- Lazım gəldikdə nəql alətini bağlayın. (⇒ 11.4)

11.3 Sükanın yan hissəsinin qurulması



Sükanın yan hissəsi 3 mövqedə qurula bilər.

- Nəql alətini açın. (⇒ 11.4)

- Sükanın yuxarı hissəsinə əlinizlə tutacaqda saxlayın.
- Dartma qolunu (1) əl ilə yuxarıya dartın.
- Sükanı arzu olunan mövqeyə gətirin. Bu zaman biçmə hissəsinin (2) üç deşikdən (3) birində yerləşməsinə diqqət yetirin.
- Dartma qolunu (1) əl ilə qabağa basın və sükanı bərk saxlayın.
- Sükanın bərk oturmasını yoxlayın.
- Lazım gəldikdə nəql alətini bağlayın. (⇒ 11.4)

11.4 Nəql alətini açın və bağlayın.



Nəql alətinin köməyi ilə motor qarmağı dartma və itələmə ilə nəql edilə bilər.



Yaralanma təhlükəsi!

Nəql aləti iş mövqeyində yerləşərsə (yuxarı qatlanmış) və ayırma qolu sıxılırsa, nəql aləti sərbəst şəkildə nəql hissəsinə düşə bilər.

Nəql alətini nəql hissəsinə bükün – nəqlə hazırlama:

- Nəql alətini (1) bir əllə yüngül qaldırın və saxlayın.
- Ayırma qolunu (2) basın.
- Nəql alətini (1) sona qədər aşağı qatlayın və ayırma tutacağına (2) buraxın. Nəql aləti işə düşür və bərkidilir.

Nəql alətini qatlamaq – iş mövqeyi:

- Nəql alətini (1) bir əllə saxlayın və yüngül qaldırma ilə yükü azaldın.
- Ayırma qolunu (2) basın və nəql alətini yuxarı qatlayın.

- Ayırma qolunu (2) buraxın və nəql alətini sona qədər yuxarı qatlayın. Nəql aləti işə düşür və iş mövqeyində bərkidilir.

11.5 Əyləc hissəsini qurmaq



Əyləc hissəsi ilə torpağın emali zamanı müqavimət və bununla da irəliyə itələmə sürəti tənzimlənəcək. Əyləc hissəsi yaxşı tənzimləmə üçün 3 mövqedə qurula bilər.

Əyləc hissəsini qurmaq:

- Nəql alətini nəql hissəsinə bükün. (⇒ 11.4)
Cihazın sabit və təhlükəsiz vəziyyətinə diqqət yetirin.
- Boşaltma boltlarını (1) basın və saxlayın.
- Əyləc hissəsini (2) arzu olunan mövqeyə gətirin.
- Boşaltma boltlarını (1) boşaldın və əyləc alətinin işə düşməsinə diqqət yetirin.

11.6 Yandırma motoru işə salın



- Qazın tənzimlənməsi qolunu başlanğıc mövqeyə gətirin. (⇒ 8.1)
- İşə salma ipindəki (1) tutacağı bir əl ilə bərkidin və saxlayın.
- İşə salma ipini (1) sıxmağa qarşı müqavimət yaranana qədər yavaşca dartın. Yekun olaraq bərk, tez və bir dəfəyə əl uzunluğunda dartın. İşə salma ipini (1) yenidən fırlanması üçün onu yavaşca geriye dartın. Yandırma motoru işə düşənədək prosesi təkrar edin.

11.7 Motoru söndürün

- Motoru söndürmək üçün tutacağı Stopp mövqeyinə gətirin. (⇒ 8.1)
Yandırma motoru qısa vaxtdan sonra dayanır.

11.8 Dartma diski qolunu (irəli) birləşdirin və ayırın.

Dartma diski qolunu (irəli) birləşdirin.

- Motor qarmağını ayrılmış yandırma motoru ilə tətbiq sahəsinə nəql edin. (⇒ 13.)
- Alışdırma motorunu işə salın. (⇒ 11.6)
- Motor qarmağını hər iki əllə saxlama tutacağına bərkidin.
- **Qara** gedis diski qolunu (irəli) işə salın və saxlayın. (⇒ 8.2)
Mexanizm dalğası montaj edilmiş iş alətləri ilə elə fırlanmağa başlayır ki, motor qarmağı irəliyə hərəkətə gəlir.

Dartma diski qolunu (irəli) ayırın:

- Dartma diski qolunu (irəli) işə salın. (⇒ 8.2)
Montaj edilmiş iş alətləri ilə mexanizm dalğası dayanır.

11.9 Hərəkət qolunu (geriyə) sıxmaq və buraxmaq (MH 445 R, MH 560, MH 585, MH 685)

MH 445 R, MH 560, MH 585, MH 685 mühərrikli kultivatoru geri ötürücü ilə təchiz olunmuşdur.

Geriyə ötürücü sırf mühərrikli kultivator zəmin ilə işləyən zaman maneəyə ilişdikdə onun rahatlıqla geriye qayıtmasına xidmət edir. Geriyə ötürücü kultivator üçün nəzərdə tutulmamışdır.



Yaralanma təhlükəsi!

Hərəkət mexanizmini buraxmamışdan öncə (geriyə), operatorun bədənini ilə sükan arasında kifayət qədər məsafənin olmasına diqqət yetirin.

Dartma diski qolunu (geriyə) birləşdirin.

- Mühərrikli kultivatoru mühərriki söndürülmüş şəkildə iş ərazisinə aparın. (⇒ 13.1)
- Mühərriki işə salın. (⇒ 11.6)
- Mühərrikli kultivatoru sükan dəstəyini hər iki əllə möhkəm saxlayın.
- **Qırmızı** hərəkət qolunu (geriyə) işə salın və saxlayın. (⇒ 8.2)
Ötürücü disk quraşdırılmış iş alətləri ilə elə fırlanmağa başlayır ki, mühərrikli kultivator geriye doğru hərəkət edir.

Dartma diski qolunu (geriyə) buraxın:

- Hərəkət qolunu (geriyə) işə salın. (⇒ 8.2)
Ötürücü disk quraşdırılmış iş alətləri ilə dayandırılır.

11.10 Qarmaq

Qarmaqlama zamanı torpaqda fırlanan qarmaq ulduzları ilə boşalma işi aparılacaq və əkin, qurulma və bitkilərə qayğı üçün hazırlıq görülməkdir.



Yaralanma təhlükəsi!

Yalnız qabağa qarmaqlayın.
Üstünə sürməyə icazə verilməyən
maneələrə diqqət yetirin
(məs. gediş yollarında daş plitələri).

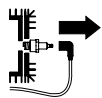
- Motor qarmağını ayrılmış yandırma motoru ilə tətbiq sahəsinə nəql edin. (⇒ 13.1)
- Nəql alətini bağlayın. (⇒ 11.4)
- Alışdırma motorunu işə salın. (⇒ 11.6)
- Motor qarmağını tutacağında hər iki əllə bərk tutun və təhlükəsiz vəziyyəti alın – istifadəçinin iş sahəsinə diqqət yetirin. (⇒ 10.1)
- Dartma diski qolunu (irəli) işə salmaq və saxlamaq. (⇒ 11.8)
Qarmaq ulduzu fırlanmağa başlayır və qarmaq işə salına bilər.
- İşdən sonra gediş mexanizmini açın (⇒ 11.8), Motoru söndürün (⇒ 11.7) və cihazı təmizləyin (⇒ 12.2).

12. Texniki baxış



Yaralanma təhlükəsi!

Bütün texniki iş- və ya təmizləmə işlərindən əvvəl "Sizin təhlükəsiziyinizə dair" bölməsinə (⇒ 4.), xüsusilə "Texniki baxış və təmir" hissəsinə baxın (⇒ 4.7), diqqətlə oxuyun və bütün təhlükəsizlik göstərişlərinə dəqiq diqqət yetirin.



Texniki baxış- və təmizləmə işlərindən əvvəl yandırma şamını dartın!

12.1 Qarmaq ulduzunun demontajı



Qatlama şplinti mexanizm borusunun yanında yerləşdikdə, tam qarmaq bitki qoruyucu diskə mexanizmdən çıxı bilər. Qarmaq ulduzunda montaj işləri üçün qarmaq ulduzu montajı (⇒ 7.7), (⇒ 7.8) və qarmaq ulduzu kombinasiyaları Bölməsinə (⇒ 10.3) diqqət yetirin.

- Cihazı (yandırma motoru, mexanizm) tam soyudun.
- Motor qarmağını təmizləmə mövqeyinə gətirin. (⇒ 12.2)
- Bitki qorunması diskini demontaj edin. Qapaq şplintinin təhlükəsizlik alətini (1) açın və qapaq şplintini çıxarın. Bitki qorunması diskini (2) dartın.
- Qarmaq ulduzunun demontajı: Qapaq şplintinin təhlükəsizlik alətini (3) açın və qapaq şplintini çıxarın. Qarmaq ulduzunu tam (4) dartın.
- Qoruyucu həlqəni (5) dartın və yaxşı qoruyun – itirməyin!

12.2 Cihazı təmizləyin



Texniki baxış intervalı: Hər istifadədən sonra

- Hər işdən sonra cihazı tam təmizləyin. ehtiyatla davranma cihazı qoruyur və istifadə müddətini uzadır.

- Təmizləmədən öncə cihazı tamamilə soyudun, alışdırma şamını şəbəkədən ayırın və mexanizm və biçmə çarxında təmizləmə işini apararkən uzun qollu paltardan və zirehli əlcəkdən istifadə edin.

Təmizləmə mövqeyi:



Cihazın zədələnməsinə yol verməyin!

Mühərrikli kultivatoru yalnız qısa bir müddət ərzində (təmizləmə və texniki baxış zamanı) göstərilən vəziyyətə gətirin. Anbarlama zamanı cihazı normal vəziyyətə gətirin.

- Nəql alətini açın. (⇒ 11.4)
- Sükanın yuxarı hissəsini yuxarı mövqeyə gətirin. (⇒ 11.2)
- Mühərrikli kultivatoru hamar və sərt səthdə yerləşdirin.
- Cihazı sükana zəminə çatana qədər geriye fırladın.

Təmizləməyə dair göstərişlər:

- Çirkənmə və toplanmış qalıqları fırça, nəm dərman və ya taxta parçası ilə təmizləyin-aşındırıcı təmizləyici vasitələrdən istifadə etməyin. STIHL xüsusi təmizləyici maddədən istifadə etməyi məsləhət görür (məs. STIHL xüsusi təmizləyici maddəsi).
- Təzyiqli suyu sükana, mühərrik hissələrinə, birləşdirici hissələrə və toplanma hissələrinə yönəltməyin. Bu, bahalı təmir xərçisi ilə nəticələnə bilər.
- **Daxili yanma mühərriki:**
Mühərrikin lazımı dərəcədə soyudulmasını təmin etmək üçün soyuducu hissələrini, havalandırma çarxını, hava filtrinini ətraf sahəsini, üfürücünü və s. çirkəndən azad edin.

- **Ötürmə qutusu, şassi və biçmə aparatı** su axını və yüksək təzyiqli bir təmizləyici ilə təmizləyə bilər.



Cihazın zədələnməsinə yol verməyin!

Yüksək təzyiqli təmizləyicidən istifadə etdikdə arada **ən az 1 m** məsafə saxlayın və heç bir vaxt su axınına birbaşa toplanma hissələrinə, ötürücü diske və kipləşdiriciyə yönləndirməyin – xüsusilə də ötürmə qutusu və qoruyucu qat arasındakı kipləşdiriciyə yönləndirmək olmaz.

12.3 Alışdırma motoru

Texniki baxış üzrə interval: İşə başlamamışdan əvvəl

Yağ səviyyəsinə nəzarət edin (Motorun istifadə təlimatlarına baxın).

Motor üçün ayrıca təmin olunmuş təlimat kitabçasında xidmət və texniki baxış göstərişlərinə diqqət yetirin.

12.4 Xidmət intervalları



Cihazın zədələnməsinə yol verməyin!

Ötürücüdə texniki baxış işini yalnız mütəxəssis vasitəçi tərəfindən həyata keçirilməlidir.

Distribütörlər tərəfindən texniki baxış: Şəxsi istifadə zamanı ildə bir dəfə

Motorlu yerşumlayan bir distribütör tərəfindən texniki baxışdan keçirilməlidir. STIHL, STIHL distribütörlərini tövsiyə edir.

İstifadəçi tərəfindən texniki baxış:

- **Hər işə salmadan əvvəl**
Mühərrikin yağ səviyyəsinə nəzarət edin (yandırma motorunun istifadə təlimatına baxın)
- **Hər istifadədən sonra**
Cihazı təmizləyin. (⇒ 12.2)

12.5 Anbarda saxlama və sükut vəziyyətində anbarlama (qış fasiləsində)



Mühərrik qarmaqlarını normal şəkildə (açılmış neql aləti) anbarlayın. Yərə qənaətli anbarlama üçün sükanı şəkildəki kimi geriye bükün.



Sürüşmə təhlükəsi!

Doğrama hissəsi qeyri-münasib şəkildə dayandıqda, mühərrikin doğrayıcı hissəsi qabağa sürüşdürülə bilər. Buna görə həmişə motor doğrayıcısının təhlükəsiz vəziyyətinə nəzarət edin. Lazım gəldikdə qabağa gərginliyi azaltmaq üçün doğrayıcı ulduzları fırladın. Alternativ kimi mühərrik doğrayıcısını anbarlama zamanı daşıma tutacağı sahəsində dayaqlarla bağlamaq olar.

Cihazı quru, bağlı və tozsuz yerdə saxlayın. Cihazın uşaqlardan kənar yerdə saxlanmasına əmin olun.

Cihazın üzərindəki bütün nasazlıqlar anbarlamadan əvvəl təmir edilməlidir. Cihaz həmişə təhlükəsiz şəkildə olmalıdır. Bütün boltları, qaykaları və vintləri bərkidin, cihazın üzərindəki bütün oxunmaz təhlükə və xəbərdarlıq göstərişlərini yeniləyin, maşının hər hissəsini yeyilmə və zədələmələrə görə yoxlayın. Yeyilmiş və ya zədələnmiş hissələri dəyişin.

Cihazı sakit vəziyyətdə uzun müddət saxlayarkən (qış fasiləsində) əlavə olaraq aşağıdakı maddələrə diqqət yetirin:

- Cihazın bütün xarici hissələrini ehtiyatla təmizləyin.
- Yanacaq və qaz çənini boşaldın.
- Bütün hərəkətli hissələri yaxşı yağlayın, eləcə də qatı yağ vurun.
- Alışdırma şamını çıxardın (daxili yanma mühərrikin istismarı təlimatına baxın) və təq. 3 sm³ mühərrik yağını alışdırma şamın açılan hissəsi üzərindən mühərrikə tökün. Mühərriki yanacaq şamı olmadan işə salın (başlanğıc ipi dartın).



Alışma təhlükəsi!

Alışma təhlükəsinə görə alışdırma şamın kontakt ucunu alışma dəliyindən kənar saxlayın.

- Yanma şamını yenidən bərkidin (Motorun istifadə təlimatlarına baxın).
- Yağı dəyişin (Motorun istifadə təlimatlarına baxın).
- Yanma motorunu örtün və cihazı normal şəraitdə saxlayın.

13. Nəql

13.1 Motor qarmağının nəqli:



Yaralanma təhlükəsi!

"Sizin təhlükəsizliyinizə dair" bölməsindəki (⇒ 4.), xüsusilə "Nəql" hissəsindəki təhlükəsizlik göstərişlərinə diqqət yetirin. (⇒ 4.4).

Nəqldən əvvəl yandırma motorunu söndürün, yandırma şamını dartın və aidiyyətli təhlükəsizlik paltarını (təhlükəsizlik ayaqqabısı, əlcək, əl və ayaqları örtən kombinizon) geyinin.

Çəkiyə diqqət yetirin! (⇒ 18.)

1 Motor qarmağını dartın və ya itələyin:

- Əyləc hissəsini ən yüksək mövqeyə gətirin. (⇒ 11.5)
- Nəql alətini açın. (⇒ 11.4)
- Motor qarmağının hər iki tutacağından tutun (1) və cihaz nəql çarxlarında dayanana qədər arxaya itələyin.
- Motor qarmağını yavaş-yavaş (addımba.addım) dartın və ya itələyin. Hamar və düz səthdə cihaz itələmə bilər, dalğalı yerdə dartmaq daha asandır.



Yaralanma təhlükəsi!

Böyük çəkisinə görə pilləkən, hündürlük, əyri yerdə və digər hündürlüklərdə xüsusi diqqətli olmaq lazımdır.

İstifadəçi cihazın yuxarısında olmalıdır, bu zaman cihazın üzərində nəzarəti itirdikdə o üzərinizə düşməz – yeni cihaz hündürlük və enişlərdə itələnməli və dartılmalıdır. Cihazı maksimum 2-3 pillə itələyin və dartın. Artıq pillər olduqda cihazı ikinci şəxs köməyi ilə daşıyın.

2 Motor qarmağını qaldırın və ya daşıyın:

- Sükanın yuxarı hissəsinin bərk oturmasını yoxlayın.
 - Motor qarmağını ən azı iki nəfər qaldırmalıdır, daşımalıdır və hər zaman qarmaq ulduzuna kifayət qədər məsafə olmalıdır.
- Tutma nöqtəsi:**
Tutacaq (1) və daşıma qolu (2)

3 Motor qarmağını yükləmə sahəsində daşıyın:

- Motor qarmağını həmişə **duran şəkildə** nəql edin – nəql aləti və qarmaq ulduzunda. Cihazı heç bir vaxt yanakı qoymayın.
 - Təhlükəsizlik üçün nəql alətini açın (⇒ 11.4) və qarmaq ulduzunu montaj edin (⇒ 7.7), (⇒ 7.8).
 - Motor qarmağını sürüşməyə qarşı təmin edin və ip, kəmərlə yük yerinə bərkidin.
- Dayaq nöqtələri:**
Nəql aləti oxu (3) və qarmaq ulduzu oxu (4).

14. Ətraf mühitin qorunması



Qablaşdırma, cihaz və onun hissələri də yenidən emal oluna bilən materiallardan hazırlanıb və emal edilməlidirlər.

Material qalıqlarının ayrılmış, ətraf mühitə uyğun emalı dəyərli maddələrin yenidən istifadəsini mümkün edir. Bu səbəbdən cihazın müəyyən istifadəsindən sonra onu dəyərli maddələrin toplandığı yerə gətirin.

14.1 Tullantının emalı

Köhnə yağ (motor yağı) və mexanizm yağını həmişə müvafiq şəkildə emal edin.

Yanma motorunun emala göndərməmişdən əvvəl tam istifadəyə yararsız edin. Bunun üçün yandırma kabelini kənarlaşdırın, çəni boşaldın və motor yağını boşaldın.

Qarmaq ulduzları vasitəsilə yaralanma təhlükəsi!

İşləməyən bağ ot biçənini heç bir vaxt nəzarətsiz saxlamayın. Cihazın və qarmaq ulduzlarının uşaqlardan kənar yerdə saxlanması əmin olun.

15. Tullantını azaltmaq və zərərlərin qarşısını almaq

Məhsul qrupunun texniki baxışı və qayğısına dair vacib göstərişlər

Mühərrikli kultivatorlar yanacağı (STIHL MH)

STIHL, istismar təlimatlarında ehtiva edilən, xüsusilə də, təhlükəsizlik, istismar və texniki baxış ilə əlaqədar məlumatları

riayət etməməkdən yaranan və ya icazəsiz qurulmuş cihaz və ya ehtiyat hissələrinin istifadəsindən irəli gələn maddi və ya fərdi zədəyə görə öhdəlik daşıdır.

Lütfən, STIHL maşınınız üçün baş verə biləcək zədənin və ya həddən artıq aşınmanın qarşısını almaq üçün aşağıdakı mühüm məlumatla həmişə əməl edin:

1. Yeyilmə hissələri

STIHL maşınının bəzi hissələri hətta müvafiq şəkildə istifadə edildiyi zaman belə normal yeyilməyə məruz qalır və növdən və istifadə müddətindən asılı olaraq vaxtında dəyişdirilməlidir.

Buraya aiddir :

- Kəmə
- Qarmaq ulduzları
- Əyləc düymələri

2. Bu istifadə təlimatında olan məlumat ilə uyğunluq

STIHL maşını bu istifadə təlimatında göstərilən diqqət ilə istifadə edilməli, təmir edilməli və saxlanmalıdır. Təhlükəsizlik, istismar və texniki baxış təlimatları ilə uyğunsuzluqdan irəli gələn istənilən zədə yalnız istifadəçinin öhdəliyindədir.

Bu xüsusilə tətbiq edilir:

- Məhsuldan yanlış istifadə.
- STIHL tərəfindən təsdiq olunmamış yanacaqaların istifadəsi (sürtkü yağı, benzin və mühərrik yağı, daxili yanma mühərriki təlimatına baxın).
- məhsula STIHL tərəfindən təsdiq olunmayan dəyişikliklər.
- STIHL tərəfindən icazə verilməmiş hissələri, qurulan cihazlar və ya kəsim alətləri.

- Məhsuldan idman və ya yarış hadisələri üçün istifadə.
- Məhsulun qüsurlu komponentlər ilə davamlı istifadəsinə görə ortaya çıxan zədə.

3. Texniki baxış işləri

"Texniki baxış" bölməsində qeyd olunan bütün əməliyyatlar müntəzəm olaraq icra edilməlidir.

Əgər bu texniki baxış işləri istifadəçi tərəfindən icra edilməzsə, mütəxəssis vasitəçi onları yerinə yetirmək üçün səlahiyyətləndirilməlidir.

STIHL, texniki baxış və təmir işlərini yalnız STIHL mütəxəssis vasitəçi tərəfindən həyata keçirməyinizi tövsiyə edir.

STIHL-in mütəxəssis vasitəçiləri müntəzəm olaraq təlim kurslarında iştirak edir və texniki məlumat ilə təmin edilir.

Əgər bu əməliyyatlar nəzarətsiz qalarsa, istifadəçinin öhdəliyində olan xətlər yarana bilər.

digərləri ilə yanaşı buraya aiddir:

- aidıyyatsız saxlanma zamanı korroziya və digər zərərər.
- keyfiyyətə aşağı olan ehtiyat hissələrinin istifadəsi nəticəsində cihaza dəyən ziyan.
- vaxtında edilməyən və ya kifayət qədər olmayan texniki baxış nəticəsində zərərər, o cümlədən, distribyutorların emalatxanasında yerinə yetirilməmiş texniki baxış və ya təmir işləri nəticəsində zərərər.

16. Qalıq ehtiyat hissələri

Qapaq fiksatoru (biçmə çarxı):
9396 021 3785

MH 445, MH 445 R

Daxildə soldakı biçmə pəri:

6241 710 0200

Daxildə sağdakı biçmə pəri:

6241 710 0205

Xaricdə soldakı biçmə pəri:

6241 710 0210

Xaricdə sağdakı biçmə pəri:

6241 710 0215

MH 560, MH 585, MH 685

Daxildə soldakı biçmə pəri:

6241 710 0220

Daxildə sağdakı biçmə pəri:

6241 710 0225

MH 585, MH 685

Xaricdə soldakı biçmə pəri:

6242 710 0210

Xaricdə sağdakı biçmə pəri:

6242 710 0215

17. Aİ – Uyğunluğun təsdiqlənməsi

17.1 Motorlu yerşumlayan STIHL MH 445.0, MH 445.0 R, MH 560.0, MH 585.0, MH 685.0

STIHL Tirol GmbH
Hans Peter Stihl-Straße 5
6336 Langkampfen
Avstriya

yalnız öz öhdəliyinə əsasən bəyan edir ki, maşın

- İstehsal forması: Motorlu yerşumlayan

- Ticarət nişanı: STIHL
- Növ: MH 445.0, MH 445.0 R, MH 560.0, MH 585.0, MH 685.0
- Seriya identifikasiyası: 6241

2000/14/EC, 2006/42/EC, 2014/30/EU və 2011/65/EU direktivlərinin əlaqəli qaydalarına uyğundur və istehsal tarixində qüvvədə olan aşağıdakı standartların versiyalarına uyğun olaraq hazırlanmış və istehsal edilmişdir: EN 709 və EN 14982 (tətbiq oluna bildiyi qədər).

İştirak edən adlandırılmış qurumun adı və ünvanı:

TÜV Rheinland LGA Products GmbH
Tillystraße 2
D-90431 Nürnberg

Ölçülmüş və zamanlənmiş səs gücünün səviyyəsini təyin etmək üçün, 2000/14/EC Direktivi, Əlavə VIII-ə uyğun prosedur tətbiq olundu.

MH 445.0, MH 445.0 R

- Ölçülmüş səs gücü səviyyəsi: 92 dB(A)
- Zamanlənmiş səs gücü səviyyəsi: 93 dB(A)

MH 560.0, MH 585.0

- Ölçülmüş səs gücü səviyyəsi: 91,3 dB(A)
- Zamanlənmiş səs gücü səviyyəsi: 93 dB(A)

MH 685.0

- Ölçülmüş səs gücü səviyyəsi: 92,4 dB(A)
- Zamanlənmiş səs gücü səviyyəsi: 93 dB(A)

Texniki sənədlər STIHL Tirol GmbH şirkətinin məhsul təsdiqləməsi ilə saxlanılır.

İstehsal ili və maşının nömrəsi motorlu yerşumlayanın üzərində görünür.

Langkampfen, 02.11.2020

STIHL Tirol GmbH

Səlahiyyətli nümayəndə,



Matthias Fleischer, Tədqiqat və inkişaf şöbəsinin rəhbəri

Səlahiyyətli nümayəndə,



Sven Zimmermann, Keyfiyyət şöbəsinin rəhbəri

18. Texniki məlumatlar

MH 445.0 / MH 445.0 R / MH 560.0 / MH 585.0 / MH 685.0

Seriya nömrəsi	6241
Daxili yanma mühərriki, istehsal dizaynı	4 çarxlı daxili yanma mühərriki
İşə salma aləti	İp qoşqusu

2000/14/EC Direktivinə müvafiq olaraq:

MH 445.0 / MH 445.0 R / MH 560.0 / MH 585.0 / MH 685.0

Zəmanətli səs gücü səviyyəsi L_{WA} 93 dB(A)

MH 445.0 / MH 445.0 R

Elektrik motorunun növü	B&S Series 550 EX OHV RS
Həcm	140 sm
Nominal sürətdə mühərrikin dövrü sayı	2,2 - 3100 kVatt - fırlanma/dəqiqə
Yanacaq çəni	0,8 l
Alət	4 biçmə elementi, 2 bitkini qoruyan disk
Biçmə pərinin diametri	30 sm

Sürət yoxlanışı zamanı biçmə pərinin işləmə sürəti 124 fırlanma/dəqiqə

Yoxlanma üçün fırlanma sayı 3100 fırlanma/dəqiqə

2006/42/EC Direktivinə müvafiq olaraq:

İş yerində səs təzyiqi səviyyəsi L_{pA} 80 dB(A)

Təhlükə K_{pA} 2 dB(A)

EN 12096-a əsasən verilmiş vibrasiya dəyəri:

Ölçülmüş dəyər v_{vatt} 5,50 m/san²

Təhlükə K_{vatt} 2,20 m/s²

EN 20643-a əsasən ölçmə

Mexanizm MH 445.0 1 ön girişli

Mexanizm MH 445.0 R 1 ön girişli

MH 445.0 R 1 arxa girişli

Çəki 36 kq / 37 kq

MH 560.0/ MH 585.0

Elektrik motorunun növü	Kohler HD675
Həcm	149 sm
Nominal sürətdə mühərrikin dövryyə sayı	2,3 - 3000 kVatt - fırlanma/d əqiqə
Yanacaq çəni	1,4 l
Alət MH 560.0	2 biçmə elementi, 2 bitkini qoruyan disk

Alət MH 585.0

	4 biçmə elementi, 2 bitkini qoruyan disk
--	--

Biçmə pərinin diametri

32 sm

Sürət yoxlanışı zamanı biçmə pərinin işləmə sürəti

120 fırlanma/dəqiqə

Yoxlanma üçün fırlanma sayı

3000 fırlanma/dəqiqə

2006/42/EC Direktivinə müvafiq olaraq:

İş yerində səs təzyiqi səviyyəsi L_{pA}

79 dB(A)

Təhlükə K_{pA}

2 dB(A)

EN 12096-a əsasən verilmiş vibrasiya dəyəri:

Ölçülmüş dəyər v_{vatt}

5,00 m/san²

Təhlükə K_{vatt}

2,50 m/san²

EN 20643-a əsasən ölçmə

Mexanizm

1 ön girişli
1 arxa girişli

Çəki

41 kq / 44 kq

MH 685.0

Elektrik motorunun növü	Kohler HD775
Həcm	173 sm

MH 685.0

Nominal sürətdə mühərrikin dövryyə sayı

2,9 - 3200 kVatt - fırlanma/d əqiqə

Yanacaq çəni

1,4 l

Alət

4 biçmə elementi, 2 bitkini qoruyan disk
32 sm

Biçmə pərinin diametri

128 fırlanma/dəqiqə

Sürət yoxlanışı zamanı biçmə pərinin işləmə sürəti

Yoxlanma üçün fırlanma sayı

3200 fırlanma/dəqiqə

2006/42/EC Direktivinə müvafiq olaraq:

İş yerində səs təzyiqi səviyyəsi L_{pA}

80 dB(A)

Təhlükə K_{pA}

2 dB(A)

EN 12096-a əsasən verilmiş vibrasiya dəyəri:

Ölçülmüş dəyər v_{vatt}

6,00 m/san²

Təhlükə K_{vatt}

2,40 m/san²

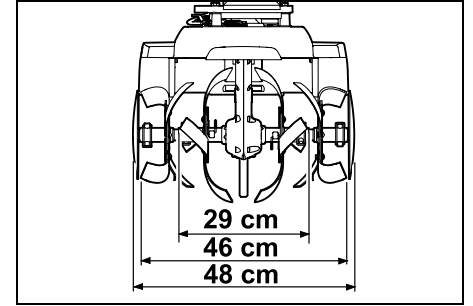
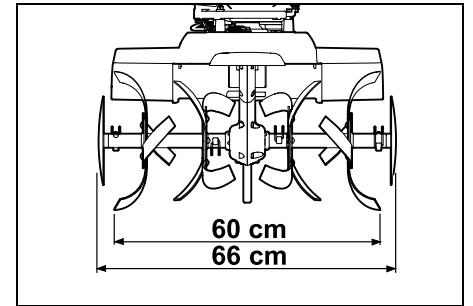
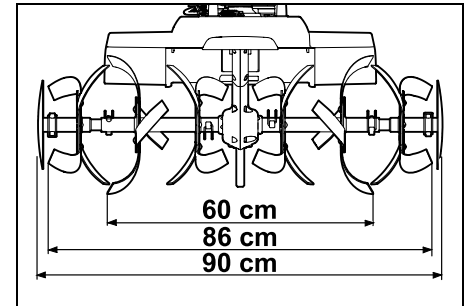
EN 20643-a əsasən ölçmə

Mexanizm

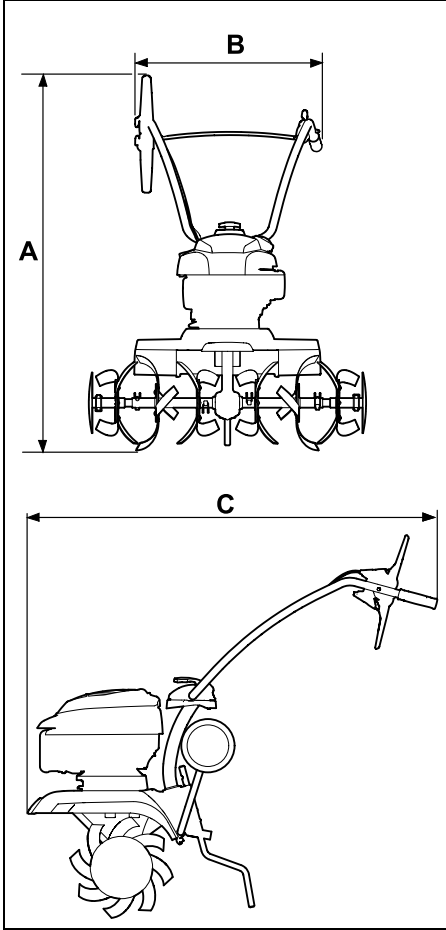
1 ön girişli
1 arxa girişli

Çəki

46 kq

MH 445.0, MH 445.0 R:**MH 560.0:****MH 585.0, MH 685.0:**

**MH 445.0, MH 445.0 R, MH 560.0,
MH 585.0, MH 685.0:**



MH 445.0, MH 445.0 R:

A = 118 sm

B = 57 sm

C = 122 sm

MH 560.0, MH 585.0, MH 685.0:

A = 119 sm

B = 57 sm

C = 122 sm

18.1 REACH

REACH kimyəvi maddələrin qeydə alınması, qiymətləndirilməsi və buraxılması

1907/2006 sayılı REACH qaydalarına riayət edilməsi üçün məlumatlar www.stihl.com/reach saytında verilib.

19. Xətanın axtarılması

✘ Lazım olarsa, mütəxəssis vasitəçi ilə əlaqə saxlayın; STIHL, STIHL mütəxəssis vasitəçisini tövsiyə edir.

📖 motorun təlimat kitabçasına baxın.

Pozuntu:

Motor işləmir

Mümkün səbəblər:

- Drossel qolunu Stopp mövqeyinə gətirin
- Çəndə yanacaq yoxdur; yanacaq xətti tutlub.
- Çəndə pis, çirkli və ya köhnə yanacaq var.
- Yanacaq şamı tıxacı şamdan çıxarılıb; yandırma kabeli tıxaca pis taxılıb.
- Yanacaq şamı sürüşüb və ya zədələnib; elektrodlar arası yanlış məsafə.
- Hava süzgəci çirklidir.
- Yandırma motoru bir çox işə salma cəhdinə görə "dayanıb".

Yardım:

- Drossel qolunu başlanğıc mövqeyə gətirin (⇒ 8.1)
- Yanacaq doldurun (⇒ 7.15); Yanacaq xəttini təmizləyin (✘)

- Təzə markalı yanacaqdan (qurğuşunsuz benzindən) istifadə edin (⇒ 7.15); Qaz borusunu təmizləyin (✘)
- Şamı çıxarın (📖); Yanacaq kabeli və ştəpsel arasında əlaqəni yoxlayın (✘)
- Yanacaq şamını təmizləyin/dəyişin (📖), (✘); Elektrodlar arası məsafəni qurun (✘)
- Hava süzgəcini təmizləyin/əvəz edin (✘)
- Yandırma şamını dartin və qurudun, drossel qolunu Stopp mövqeyinə gətirin və başlanğız ipi çıxarılmış şamla daxil edin (📖)

Pozuntu:

Motorun ağır işə salınması baş verir və ya gücü zəifləyir.

Mümkün səbəblər:

- Yanacaq çənində və ya qaz çıxan hissədə su; qaz çıxan hissə tutulub.
- Yanacaq çəni çirklidir.
- Hava süzgəci çirklidir.
- Yanacaq şamı xarab olub.

Yardım:

- Yanacaq çənini boşaldın, yanacaq xəttini və qaz çıxan hissəni təmizləyin (✘)
- Yanacaq çənini təmizləyin (✘)
- Hava süzgəcini təmizləyin/əvəz edin (📖), (✘)
- Yanacaq şamını təmizləyin/dəyişin (📖), (✘)

Pozuntu:

Yanma motoru çox istidir

Mümkün səbəblər:

- Sərinlədici hissələr çirklidir
- Motorda çox az yağ var

- Yandırma motoru yuxarıda torpaqla örtülüb

Yardım:

- Sərinlədici hissələri təmizləyin (⇒ 12.2)
- Motor yağı əlavə edin (⇒ 7.15)
- Torpağı yandırma motorundan kənarlaşdırın

Pozuntu:

Motor anormal işləyir

Mümkün səbəblər:

- Hava süzgəci çirklidir.

Yardım:

- Hava süzgəcini təmizləyin/əvəz edin (📖), (⚙️)

Pozuntu:

Güclü tüstü

Mümkün səbəblər:

- Çox yüksək yağ səviyyəsi
- Hava süzgəci çirklidir.

Yardım:

- Yağ səviyyəsinə diqqət yetirin (📖)
- Hava süzgəcini təmizləyin/əvəz edin (📖), (⚙️)

Pozuntu:

İstifadə zamanı güclü vibrasiya

Mümkün səbəblər:

- Motorun bərkidilmiş hissələri boşdur

Yardım:

- Motorun bərkidilmə vintlərini dartın (⚙️)

Pozuntu:

Azalmış iş gücü

Mümkün səbəblər:

- Qarmaq ulduzunun yanlış montajı
- Qarmaq ulduzunun yeyilməsi

- Əyləc hissəsi səhv qurulub

Yardım:

- Qarmaq ulduzunu düzgün montaj etmək (⇒ 7.7), (⇒ 7.8)
- Qarmaq ulduzunu dəyişmək (⚙️)
- Əyləc hissəsini qurmaq (⇒ 11.5)

Pozuntu:

Heç bir iş görmür

Mümkün səbəblər:

- Mexanizm dalğasında qapaq şplinti yoxdur

Yardım:

- Mexanizm dalğasında qarmaq ulduzlarının bərkliyini yoxlayın (⇒ 7.7), (⇒ 7.8)

Pozuntu:

Bərk fəaliyyət səsi

Mümkün səbəblər:

- Mexanizmdə yanlış yağ səviyyəsi

Yardım:

- Mexanizmdə yağ səviyyəsini yoxlayın (⚙️)

Pozuntu:

Hərəkətə salınmış hərəkət qolunda mexanizm dalğası fırlanmır.

Mümkün səbəblər:

- İp qüsurludur
- Mexanizm kəməri yeyilib

Yardım:

- İpi yoxlayın və dəyişin (⚙️)
- Kəməri dəyişin (⚙️)

20. Xidmət planı

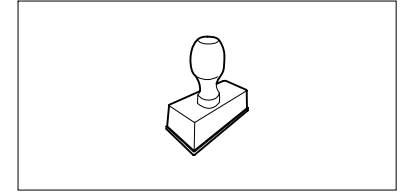
20.1 Təslimat təsdiqi

Model: _____

Seriya nömrəsi:

□	□	□	□	□	□	□	□	□	□
---	---	---	---	---	---	---	---	---	---

Tarix: □ □ □ □ □ □ □ □ □ □



Növbəti xidmət

Tarix: □ □ □ □ □ □ □ □ □ □

20.2 Xidmət təsdiqi



Lütfən, texniki baxış işləri zamanı bu istifadə təlimatını STIHL mütəxəssis vasitəçinizə təslim edin. O, əvvəlcədən çap olunmuş qutularda icra edilmiş xidmət işlərini təsdiqləyəcək.

Xidmət icra edilib

Növbəti xidmət tarixi

Қымбатты сатып алушылар,

STIHL таңдағаныңыз үшін қуаныштымыз. Біз өзіміздің жоғары сапалы өнімдерімізді клиенттеріміздің қажеттіліктеріне сәйкес әзірлейміз және өндіреміз. Тіпті төтенше жүктемелердің өзінде жоғары дәрежелі сенімділікке ие өнімдер осылай жасалады.

STIHL фирмасы да қызмет көрсетудегі жоғары сапаны жақтайды. Біздің мамандандырылған дилерлеріміз білікті кеңес береді және оқытады, сондай-ақ жан-жақты техникалық қолдау көрсетеді.

Сеніміңіз үшін Сізге алғыс білдіреміз және STIHL өнімдерінен көп ләззат алуыңызды тілейміз.



Др. Nikolas Stihl

МАҢЫЗДЫ! ҚОЛДАНУДЫҢ АЛДЫНДА ОҚЫП ШЫҒЫҢЫЗ ЖӘНЕ САҚТАП ҚОЙЫҢЫЗ.

1. Мазмұны

Аталмыш пайдалану жөніндегі нұсқаулық жайында	452	Басқару элементтері	467
Жалпы ақпарат	452	Отын беруді реттеу тұтқасы	467
Пайдалану жөніндегі осы нұсқаулықты қалай қолдану керек	452	Қозғалғыш механизм жетегінің тұтқышы	468
Құрылғылардың сипаты	453	Сақтандырғыш құрылғылар	468
Қауіпсіздік шаралары	453	Қозғалғыш механизм жетегінің тұтқышын бекіту	468
Жалпы ережелер	453	Қорғаныс құрылғылары	468
Жанар-жағар май толтыру - бензинді қолдану ережесі	454	Жұмыс нұсқаулары	469
Киім және әбзел	455	Пайдаланушының жұмыс аймағы	469
Құрылғыны тасымалдау	455	Құрылғының жұмыс күйі	469
Жұмысты бастамас бұрын	456	Қопсытатын жұлдызшалардың тіркесімдері	469
Жұмыс уақытында	456	Дененің жұмыс барысында дұрыс орналасуы	469
Техникалық қызмет көрсету және жөндеу	459	Қолданысқа енгізу	469
Ұзақ мерзім бойы сақтау	460	Алдын ала шаралар	469
Пайдаға асыру	460	Бас тұтқаның жоғарғы бөлігінің кесу биіктігін реттеу	469
Таңбалардың сипаттамасы	461	Бас тұтқаның бүйірін реттеу	470
Жеткізілім жиынтығы	461	Тасымалдауға арналған доңғалақтарды шығару және жабу	470
Қолданысқа дайындау	462	Шектегішті реттеу	470
Монтаждау жөніндегі нұсқаулар	462	Іштен жанатын қозғалтқышты іске қосу	470
Қозғалғыш бөлімін орнату	463	Қозғалтқышты тоқтату	471
Шектегішті орнату	463	Қозғалғыш механизм жетегін қосу/сөндіру жетегі (алға қозғалу)	471
Бас тұтқаны монтаждау	463		
Бас тұтқаны ашу	463		
Сақтандырғыш тақтайшаларды орнату	464		
Қопсытатын жұлдызшаларды орнату МН 445, МН 445 R	464		
Қопсытатын жұлдызшаларды орнату МН 445, МН 585, МН 685	465		
Өсімдіктерге арналған қорғау дискісін орнату	465		

Қозғалғыш механизм жетегін қосу және сөндіру (артқа қозғалу) (МН 445 R, МН 560, МН 585, МН 685)	471
Қопсыту	471
Техникалық қызмет көрсету	472
Қопсытқыш жұлдызшаларды орнату	472
Құрылғыны тазалау	472
Іштей жанатын қозғалтқыш	473
Қызмет көрсету аралығы	473
Сақтау және қолданыстан шығару (қысқы уақытта)	473
Тасымалдау	474
Қозғауыш кішкентай кетпенді тасымалдау	474
Қоршаған ортаны қорғау	475
Пайдаға асыру	475
Тозу дәрежесін барынша азайту және зақымдардан қорғау	475
Басқа да қосалқы бөлшектер	476
ЕО талаптарына сәйкестік туралы декларация	476
STIHL МН 445.0, МН 445.0 R, МН 560.0, МН 585.0, МН 685.0 мотоблогы	476
Сәйкестік белгісі	477
Белгіленген қолданыс кезеңі	477
STIHL штаб-пәтері	477
STIHL еншілес кәсіпорындары	477
STIHL өкілдіктері	477
STIHL импорттаушылары	477
Техникалық деректер	478
REACH	480
Ақаулықтарды іздеу	480
Техникалық қызмет көрсету жоспары	482
Берілісті растау	482

2. Аталмыш пайдалану жөніндегі нұсқаулық жайында

2.1 Жалпы ақпарат

Осы пайдалану жөніндегі нұсқаулық ЕО 2006/42/ЕС директивасына сәйкес келетін өндірушінің **пайдалану жөніндегі түпнұсқалы нұсқаулығы** болып табылады.

STIHL компаниясы өз өнімдерінің таңдауын жетілдіру бағытында үздіксіз жұмыс атқаруда; сондықтан біз өз өнімдеріміздің түріне, өндіру технологиясы мен жабдықталуына өзгеріс енгізуге құқылымыз. Осы себеппен осы шығарылымдағы мәліметтер мен суреттер жөнінде шағымдар қабылданбайды.

Осы пайдалану жөніндегі нұсқаулықта кейбір елдерде қолжетімді болмайтын үлгілер сипатталған.

Осы пайдалану жөніндегі нұсқаулық заңды түрде қорғалған. Барлық құқықтары, әсіресе жаңғырту, аудару және электрондық жүйелермен өңдеуге құқықтар қорғалған.

2.2 Пайдалану жөніндегі осы нұсқаулықты қалай қолдану керек

Суреттер мен мәтіндер жұмыстың белгілі бір сатыларын сипаттайды.

Көгалшапқыштағы барлық нышандар, пайдалану жөніндегі осы нұсқаулықта түсіндіріледі.

Көз тігу бағыты:

«**сол жақта**» және «**оң жақта**» сөздерін жазған кезде, келесі мағына беріледі: пайдаланушы көгалшапқыштың артында тұр және қозғалыстың бағытымен қарайды.

Бөлімдердің нұсқаулары:

Толығырақ ақпаратты табуға болатын бөлімдер мен бөліктер көрсеткішпен белгіленген. Бөлім нұсқауларының мысалы: (⇒ 4.)

Мәтін үзінділерінің белгіленуі:

Бөлек нұсқаулар келесідей белгіленуі мүмкін.

Пайдаланушының орындалатын операцияларының бірізділігі:

- Бұрауыштың көмегімен және тұтқышты (2) қолдана отырып, бұранданы (1) бұрап алыңыз ...

Жалпы тізімдері:

- Спорттық іс-шаралар мен сайыстарды өткізген кезде өнімді қолдану

Аса маңызды мәтіннің бөліктері:

Оқырманның назарын аудару үшін, пайдалану жөніндегі нұсқаулықтағы мәтіннің ең маңызды үзінділері келесі таңбалармен белгіленеді.



Қауіп-қатер!

Ауыр жарақат пен зақым алу қаупі бар. Белгілі бір әрекеттері белгіленген немесе рұқсат етілмеген.



Ескерту!

Жарақат алу қаупі бар. Жарақаттан аман сақтап қалатын тәсіл көрсетілген.

**Абай болыңыз!**

Белгілі бір әрекеттердің салдарынан жеңіл жарақаттар келтіріліп, жабдық сынуы мүмкін.

**Нұсқау**

Оператордың ықтимал қателіктерін болдырмау мақсатымен жабдықты қолдану жөніндегі ұсыныстар.

Суретке сілтемелер:

Құрылғыны пайдалануды көрсететін суреттер Пайдалану жөніндегі нұсқаулықтың басында келтірілген.

Фотокамера белгісі Пайдалану жөніндегі нұсқаулықта келтірілген мәтінге сәйкес суретті нұсқайды.

**3. Құрылғылардың сипаты**

- 1 Қозғалғыш механизм жетегінің тұтқышы (алға қозғалу)
- 2 Бас тұтқаның жоғарғы бөлігі
- 3 Қысатын тұтқа
- 4 Стартер арқаны
- 5 Іштен жанатын қозғалтқыш
- 6 От алдыру білтесі сымының штекері
- 7 жақ сақтандырғыш тақтайша
- 8 Өсімдіктерге арналған қорғау дискісі
- 9 Қопсытатын жұлдызшалар
- 10 Ауыстыруға арналған тұтқа

- 11 жақ сақтандырғыш тақтайша
- 12 Тасымалдауға арналған доңғалақтар
- 13 Шектегіш
- 14 Ағыту тұтқышы (тасымалдауға арналған доңғалақтар)
- 15 Ағыту болттары (шектегіш)
- 16 Тіреуіш тұтқа
- 17 Отын беруді реттеу тұтқасы
- 18 МН 445 R, МН 560, МН 585, МН 685: Қозғалғыш механизм жетегінің тұтқышы (артқа қозғалу)
- 19 Машина нөмірі жазылған төлқұжат

4. Қауіпсіздік шаралары**4.1 Жалпы ережелер**

Аспаппен жұмыс істегенде қауіпсіздік техникасын қатаң ұстаныңыз.



Алғаш рет қолданар алдында пайдалану жөніндегі осы нұсқаулықты толығымен оқуыңыз керек. Пайдалану жөніндегі нұсқаулықты тағы да қолдану мақсатында сақтап қойыңыз.

Іштен жанатын қозғалтқышты пайдалану жөніндегі жеке дара нұсқаулықтан Сіз таба алатын пайдалану және қызмет көрсету жөніндегі нұсқаулықтың талаптарын сақтаңыз.

Қауіпсіздік мақсатында мына қауіпсіздік шараларын ұстанған жөн және де нұсқаулықта ескерілмеген басқа да ережелерді ұстану керек. Құрылғыны үнемі ақылмен және жауапкершілікпен пайдаланыңыз және де пайдаланушы

басқа тұлғаларға зақым тигізгені үшін және мүлікті бүлдіргені үшін жауапты екенін ұмытпаңыз.

Басқару органдарымен және құрылғыны пайдалану ережелерімен танысыңыз. Бірінші кезекте пайдаланушы жұмыс құралын және құрылғы қозғалтқышын қалай тоқтатуды білу керек.

Құрылғыны тек пайдалану жөніндегі нұсқаулықты оқыған және құрылғыны пайдалана алатын тұлғаларға ғана пайдалануға болады. Алғаш рет қолданысқа енгізер алдында пайдаланушы тәжірибелі маманға жүгінуі керек. Сатушы немесе басқа маман пайдаланушыға құрылғыны қауіпсіз жолмен пайдалану ережелерін түсіндіруі тиіс.

Нұсқау берген кезде пайдаланушыға құрылғымен жұмыс істеген кезде барынша абай болып, зейін қоя отырып жұмыс істеу керек екенін түсіндірген жөн.

Осы құрылғыны мұқият пайдаланған кезде де әрдайым қалдық тәуекелдер пайда болуы мүмкін.

**Тұншығудан өлім қаупі бар!**

Орауыш материалмен ойнағаннан балаларға тұншығу қаупі төнуі мүмкін. Орауыш материалды балалардан алшақ ұстаңыз.

Құрылғыны барлық құралдарымен тек осы үлгімен таныс және онымен жұмыс істей алатын тұлғаларға ғана беруге рұқсат етіледі. Пайдалану жөніндегі нұсқаулық құрылғының ажырамас бөлігі болып табылады және жаңа пайдаланушыға құрылғымен бірге берілуге тиіс.

Құрылғымен тек физикалық және психологиялық жағдайы жақсы болғанда ғана жұмыс істеу керек. Денсаулығыңыз нашар болған жағдайда ұсақтағышпен жұмыс істеуге рұқсат алу үшін дәрігерге жолығыңыз. Қимылығызды нашарлататын дәрілердің немесе алкоголь ішімдіктерінің әсері барда құрылғымен жұмыс істеуге тыйым салынады.

Құрылғымен жұмыс істеу және пайдалану үшін пайдаланушының физикалық, сезіну және ойлау қабілетін қамтамасыз ету. Егер пайдаланушы физикалық, сезіну немесе ойлау жағынан шектеулі болса, ол құрылғымен тек қадағалауда немесе жауапты тұлғаның нұсқаулары бойынша ғана жұмыс істей алады.

Пайдаланушының кәметке толғанына немесе ұлттық ережелерге сәйкес кәсібі бойынша қадағалауда оқытылғанына көз жеткізіңіз.

Назар аударыңыз: жазатайым уақиғаның қаупі бар!

Мотокультиватор тек ауыл шаруашылық жұмыстарына арналған. Құрылғыны тек осы нұсқауларға сәйкес пайдалану керек – басқа мақсаттарға пайдалануға тыйым салынады! Кез келген басқа қолданылу түрлеріне тыйым салынған және ол қауіпті болуы мүмкін. Ол зақым алуға және құрылғының бұзылуына әкеп соқтыруы мүмкін.

Пайдаланушының денсаулығына қауіп төнетіндігіне байланысты мотокультиваторды келесі жұмыстар үшін қолдануға болмайды (тізбесі толық емес):

- үй төбесіндегі және балкон жәшіктеріндегі гүлзарға күтім жасау үшін,
- ағаштар мен бұталардың бұтақтарын ұсақтау және бұтау үшін.

Құрылғыны зат, жануарлар мен адамдарды, әсіресе балаларды тасымалдау үшін пайдалануға тыйым салынады.

Қауіпсіздік мақсатында STIHL компаниясы рұқсат еткен керек-жарақтардың дұрыс орнатылымынан басқа, құрылғы құрылымына кез келген өзгерістер енгізуге тыйым салынады, сонымен қатар, мұндай әрекеттер кепілдіктің жойылуына әкеледі. Рұқсат етілген керек-жарақтар туралы мәліметтерді STIHL делдалынан біліп алуға болады.

Сонымен қатар, іштен жанатын қозғалтқыш пен электр қозғалтқыштың айналу жиілігіне немесе қуаттылығына әсер ететін құрылғыны қолмен қозғалтуға тыйым салынған.

Қоғамдық орындар, парктер, спорт алаңшаларында, жолда, ауыл және орман шаруашылығында пайдаланған кезде өте сақ болу қажет.



Назар аударыңыз! Діріл денсаулыққа қауіп төндіреді! Дірілге байланысты тым артық

жүктеменің түсуіне орай, әсіресе қан айналымының сырқаттарынан зардап шегетін адамдарда қан айналымының сырқаттары немесе жүйке жүйесінің ауруы пайда болуы мүмкін. Діріл жүктемесінен пайда болуы мүмкін симптомдар анықталған жағдайда дәрігерге қаралыңыз.

Көбінесе тіс, алақан немесе білек тұсында пайда болатын симптомдар мынадай (тізімі толық емес):

- апатия,
- аурулар,
- бұлшық ет әлсіздігі,
- терінің пигменттенуі,
- жағымсыз қышыма.

Жұмыс барысында бас тұтқаны екі қолмен және арнайы жерлерінен берік, бірақ тым қатты емес ұстаңыз.

Жұмыс уақытын ұзақ мерзімді жоғары жүктемелерге жол бермейтіндей етіп жоспарлаңыз.

Мотокультиваторды пайдаланған кезде үзіліс жасаңыз және құрылғыны ұзақ уақыт қолданбаңыз, себебі ұзақ діріл әсері денсаулыққа зиянды болып келеді.

4.2 Жанар-жағар май толтыру - бензинді қолдану ережесі



Өміріңіз үшін қауіпті!

Бензин - улы әрі оңай тұтанатын зат болып табылады.

Бензинді тек осыған арналған және сертификатталған сыйымды ыдыстарда (канистраларда) ғана сақтаңыз. Сұйыққоймалардың қақпақтарын әрқашан дұрыс бұрап алып, дұрыс бұраңыз. Қауіпсіздік талаптарына орай ақаулықтары бар қақпақтарды жаңасына ауыстырған жөн.

Жанармай секілді қолданыс материалдарын пайдаға асыру және сақтау мақсатында, сусындардың бөтелкелері мен соған ұқсас заттарды

ешқашан қолданбаңыз. Бөтен адамдар, әсіресе балалар, осы бөтелкенің ішіндегісін ішіп қоюы мүмкін.



Бензинді жанып тұрған оттан, жылу қайнарларынан және ұшқынның басқа да ықтимал қайнарларынан алшақ ұстаңыз. Шылым шекпеңіз!

Жанармайды тек ашық ауада құйыңыз. Жанар-жағар майды құйған кезде шылым шекпеңіз.

Жанар-жағар май құяр алдында, қозғалтқышты сөндіріңіз және суытыңыз.

Қозғалтқышты қосар алдында оған бензин құйыңыз. Жұмыс істеп тұрған немесе әлі суымаған қозғалтқыштың жанармай бағын ашуға және оған бензин құюға болмайды.

Жанармай бағын артық толтырмаңыз!

Жанармай орнының кеңеюіне мүмкіндік беру үшін, жанармай бағын ешқашан толтыру мойнының астыңғы жиегінен асыра толтырмаңыз. Іштен жанатын қозғалтқышты пайдалану жөніндегі нұсқаулықтағы қосымша нұсқауларды орындаңыз.



Егер бензин ағып кеткен болса, онда алдымен бензинмен кірленген қабатты тазартып болғаннан соң, қозғалтқышты іске қосыңыз. Бензин булары буланбағанша, оталдыратын әрекет жасамаңыз (құрғақ шүберекпен сүртіп жіберіңіз).

Ағып кеткен жанармайды әркез сүртіп отырыңыз.

Егер бензин киімге тиіп кеткен болса, киімді ауыстыру керек.

Бағында бензині бар құрылғыны ғимараттың ішінде ешқашан сақтамаңыз. Пайда болатын бензин булары, жанып тұрған отпен немесе ұшқынмен түйісіп, кейін тұтанып кетуі мүмкін.

Қажет болса, жағармайы бар бакты босату керек, бұл шара ашық ауада жасалады.

4.3 Киім және әбзел



Құрылғымен жұмыс істеу үшін табаны сырғанамайтын жабық аяқ киім киіңіз. Жалаң аяқ немесе сандалдармен жұмыс істеуге тыйым салынған.



Тазалайтын жұмыстарды істеген кезде, жұмыс қолғаптарын киіңіз және ұзын шашты жинап қойыңыз (жаулық не бас киім киіңіз).



Құрылғымен жұмыс істеген кезде денеге жабысып тұратын сәйкес киім киіңіз, мысалы, жұмыс халатының орнына комбинезон. Ұсақтағышпен жұмыс істегенде шәлі тарту, галстук, әшекейлер тағуға, бос жіберілген ленталар мен басқа да сыртқа шығып тұратын киім элементтерін киюге тыйым салынады.

Механизмнің айналмалы бөлшектеріне шаш немесе киім бөлшектері түсуі мүмкін. Бұл ауыр жарақаттарға әкеп соқтыруы мүмкін.

4.4 Құрылғыны тасымалдау

Өткір жүздерден және ыстық бөлшектерден зақымданбау үшін үнемі қолғаппен жұмыс істеу керек.

Қозғалтқышы қосулы тұрған құрылғыны тасымалдамаңыз. Тасымалдар алдында қозғалтқышты сөндіріңіз, жұмыс құралдарының тоқтауын күтіңіз және түйіспелі оталдыру білтесін суырып тастаңыз.

Қозғалтқыш суыған және жағармай бағы босатылған кезде ғана шапқышты тасымалдаңыз.

«Тасымалдау» бөлімінің тармақтарын ұстаныңыз. Онда, көгалшапқышты тасымалдаған кезде, оны қалай көтеріп бекіту керектігі жайында жазылған. (⇒ 13.)

Құрылғыны тек екеулеп, нұсқалған жерлерінен ұстап қана тасымалдаңыз.

Сай келетін жүктеу механизмдерін (жүктеу тұғырнамаларын, жүк көтергіш қондырғыларды) пайдаланыңыз.

Тасымалдау немесе тиеу барысындағы қауіпсіздік үшін (әсіресе тиеу рампаларын пайдаланғанда) құрылғыны 15°-тан артық еңкейтуге болмайды.

Құрылғыны және онымен бірге тасымалданатын бөлшектерді жеткілікті көлемдегі бекіткіш заттардың көмегімен (қайыстар, арқандар және т.б.) жүк тасығыш қабатқа бекітіңіз. Құрылғыны бекітілмеген күйде ешқашан тасымалдамаңыз.

STIHL компаниясы қозғауыш кішкентай кетпенді көліктің кабинасында (мысалы, жүксалғыш) емес, тиісті тіркемемен немесе тиісті жүк платформасымен тасымалдауды ұсынады.

Құрылғыны тасымалдау кезінде, атап айтсақ, жүктеу тұғырнамаларында жүктің және тасымалданатын заттың қауіпсіздігіне қатысты жергілікті заңдардың талаптарын орындау қажет.

4.5 Жұмысты бастамас бұрын

Құрылғыны пайдалану жөніндегі нұсқаулықты оқып шыққан адамдар ғана пайдаланатынына көз жеткізіңіз.

Құрылғыны қолданысқа енгізуден бұрын жанармай жүйесінің бітеулігін тексеріңіз, әсіресе жанармай бағы, жанармай бағының қақпағы және шланг байланыстары секілді бөліктерінде. Жанармай ағып кеткен кезде немесе зақым келген кезде іштен жанатын қозғалтқышты қосуға тыйым салынады – **бұл өртке әкелуі мүмкін!**

Құрылғыны қолданысқа енгізуден бұрын оны арнайы мамандандырылған қызмет көрсету орталығында жөндеу керек.

ІЖҚ-мен жабдықталған бақ аспаптарын пайдалану ережелерін сақтаңыз.

Жұмыс аумағын мұқият қарап шығыңыз және одан барлық тастар, таяқтар, сым кесектері, сүйектер және көгалшапқыш үстіге лақтырып қалуы мүмкін басқа да бөгде заттарды алып тастаңыз.

Жұмыс істеуден бұрын айналып өтетін жасырын кедергілердің орналасқан орындарын белгілеу керек (гүлзарды суару құрылғысы, бағандар, сутартқыш вентильдер, жертеле қабаттар, электр сымдары және т.б.). Мұндай бөгде заттардың үстінен ешқашан жүргізбеңіз.

Құрылғыны пайдаланар алдында ақауларды жойып, барлық тозған және зақым келген бөлшектерді алмастыру керек. Құрылғыдағы анық емес немесе

зақымдалған қауіп және ескерту белгілерін жаңартыңыз. STIHL делдалыңызда қосалқы жапсырмалар мен барлық басқа қосалқы бөліктер бар.

Құрылғыны пайдаланар алдында от алдыру білтесі сымының штекері жағу шамына сенімді орнатылғандығына көз жеткізіңіз.

Тек қолданысқа жарамды күйдегі құрылғыны қолданыңыз. Жұмысты бастау алдында төмендегілерді тексеру керек:

- құрылғы дұрыс жиналған ба,
- сақтандырғыш құрылғылары (мысалы, қозғалғыш механизм жетегінің тұтқышы, сақтандырғыш тақтайшалар, қорғаныш қаптары, қорғайтын жабындар, бас тұтқа, қорғаныш торы) мінсіз жұмыс күйінде екенін тексеріңіз. Сақтандырғыш құрылғылары жоқ, зақымдалған немесе тозған құрылғыны ешқашан қолданбаңыз.
- жұмыс құралдары (қопсытатын жұлдызшалар) және бекіту болттары, шплинттер тозбағанын және зақымдалмағанын (кертіктер, сызаттар). Тозған және зақымдалған бөліктерді ауыстыру қажет.
- жұмыс құралдары (қопсытатын жұлдызшалар) мықтап бекітілгенін.
- қозғалғыш механизм жетегінің тұтқышы оңай жүретінін.
- отын бағының қақпағы дұрыс орнатылғанын.
- бак пен жанармай өткізетін бөліктердің, сондай-ақ, бак қақпағының мінсіз күйінде екендігін.

- бұрандалы тығынның майлы сұйыққоймаға дұрыс бұрап бекітілгенін.
- пайдаланылатын керек-жарақтың құрылғыға толық және дұрыс орнатылғанын. Керек-жарақтың жеткізілім құрамындағы барлық бөліктер орнатылуы немесе қолданылуы тиіс.

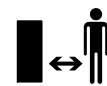
Қажет болса, барлық қажетті жұмыстарды орындаңыз немесе делдалға хабарласыңыз. STIHL компаниясы STIHL делдалдарын ұсынады.

Сол және оң жақтағы сақтандырғыш тақтайшалар қармау еніне сәйкес реттелген және талаптарға сәйкес орнатылуы тиіс. Егер МН 445 және МН 445 R үлгілеріндегі қармау ені қосымша қопсытатын жұлдызшалар есебінен кеңейтілсе (STIHL компаниясының керек-жарақтары), үлкен сақтандырғыш тақтайшаларын (керек-жарақтардың жеткізілім жиынтығы) орнату керек.

Құрылғыны жұмыс аймағына әкеліңіз, бұл кезде оны доңғалағымен алдыңызда немесе артыңызда дөңгелетіңіз.

Құрылғыны пайдалануға енгізер алдында, оның үстіндегі барлық заттарды алып тастаңыз (құралдар, маталар).

4.6 Жұмыс уақытында



Басқа адамдарға қауіпті аймақта тұруға тыйым салынады! Жануарлар немесе құстар, әсіресе балалар қауіпті аймақта болғанда, ешбір жағдайда жұмыс істеменіз.

Назар аударыңыз! Жұмыс істеу барысында қопсытқыш топырақ кесектерін, тастарды және т.б. ауаға лақтыруы мүмкін.

Құрылғымен тек бір адамға жұмыс істеуге рұқсат беріледі. Қозғалтқыш жұмыс істеп тұрғанда пайдаланушы үнемі жұмыс аймағында болуы тиіс. (⇒ 10.1)

Пайдаланған кезде, меңгеріктен басқа, құрылғыны тасымалдауға арналған тұтқаларынан, қалқан немесе құрылғының басқа бөлшектерінен ұстап көтеруге, итеруге және тартуға тыйым салынған – әсіресе оны сырттан келген адамдарға тыйым салынады.

Құралдағы орнатылған алмастырып-қосқыштар мен сақтандырғыш құрылғыларды алуға немесе қайта қосуға болмайды. Қозғалтқыш механизм жетегінің тұтқышын меңгеріктің жоғарғы жағына бекітуге қатаң тыйым салынады (мысалы, байлау арқылы).



STOP

Назар аударыңыз: жарақат алу қаупі бар!

Айналмалы бөлшектердің жанына қол-аяқтарыңызды ешқашан жақындатпаңыз.

Жұмыс істеп тұрған құрылғыдан әрқес қауіпсіз қашықтықта тұрыңыз. Қауіпсіз қашықтық дұрыс орнатылған және жазылған меңгеріктің ұзындығына сәйкес келуі тиіс – Басқару тұтқасының құрылымын өзгертпеңіз және құрылғыны ешқашан да жинаулы тұрған басқару тұтқасымен пайдаланбаңыз.

Ешбір жағдайда заттарды меңгерікке қыстырмаңыз (мысалы, жұмыс киімін).

Жұмысты күндіз немесе жеткілікті дәрежедегі жасанды жарық болған жағдайда ғана орындаған жөн.

Құрылғымен жаңбыр, күн күркірегенде және әсіресе найзағай жарқылдағанда жұмыс істеуге болмайды.

Су жерлерде орнықты тұрмайтындықтан жазатайым оқиға қаупі артады.

Жұмыс барысында сырғанап кетпеу үшін ерекше абай болған жөн. Мүмкіндігінше құрылғыны дымқыл жерлерде қолданудың алдын алу керек.

Қопсытқыш жұлдызшалар орнатылған құрылғыны асфальт жабындарға, тас плиталарға және т.б. беттерге пайдалануға болмайды.

Еңістер, алқап жиектері, арықтар мен бөгеттердің жанында жұмыс істеген кезде құрылғыны абайлап пайдаланыңыз. Әсіресе мұндай қауіпті жерлерден жеткілікті қашықтықта болуын қадағалаңыз.

Пайдаланылып болған газ:



Улану арқылы өлім қауіп-қатері бар!

Жүрегіңіз айныған, бас ауырған, көру қабілетіңіз нашарлаған (мысалы, көру ауқымы азайса), есту қабілетіңіз нашарласа, басыңыз айналса, зейін қою қабілеті төмендесе, жұмысты дереу тоқтатыңыз. Бұл симптомдар жанатын өнімдердің жоғары мөлшеріне байланысты болуы мүмкін.



Қозғалтқыш әзірше істеп тұрғанша құрылғы пайдаланылып болған газды шығарады. Бұл газдардың құрамында улы көміртегінің қос тетігі, түссіз және иіссіз газ, және басқа да зиянды заттар бар. Қозғалтқышты

жабық және нашар желдетілетін үй-жайларда ешқашан да қосуға болмайды.

Қалдық газдардың шығу бағытын ескеріңіз. Қалдық газдарды ешқашан да адамдарға бағыттамаңыз.

Іске қосу:

Құрылғыны абайлап іске қосыңыз – «Құрылғыны іске қосу» (⇒ 11.) бөліміндегі нұсқауларды орындаңыз. Аталған нұсқауларға сай іске қосу жарақат алу қаупін азайтады.

Жарақат алу қаупі бар!

Стартер арқаны жылдам кері секіріп кеткенде, білезік пен қол стартер арқанының босатылуынан жылдамырақ іштен жанатын қозғалтқыш ішіне тартылып қалады. Мұндай кері соғу сүйек сынығына, қысылуға және буын шығуға апарып соғуы мүмкін.

Аяқтарыңыз жұмыс құрал-сайманнан едәуір қашықтықта болғанын байқап тұрыңыз.

Бастау кезінде құрылғыны аударуға болмайды.

Іске қосылған кезде механизмнің жетек біліктері басылуы тиіс.

Еңістерде жұмыс істеу:

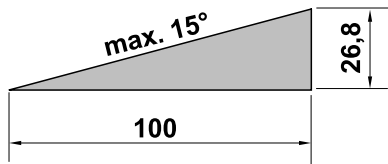
Еңіс жерде тек көлденең бағытта қозғалуға болады, бірақ бойлай қозғалмаңыз.

Ылдида жұмыс істеген кезде жұмыс істеуші құрылғыдан төмен болуға болмайды. Құрылғыны басқара алмай қалған жағдайда астына түсіп қалуыңыз мүмкін.

Егер Сіз қозғалыс бағытын жүріп жатқан кезде өзгертетін болсаңыз, өте сақ болыңыз.

Еңіс жерде жұмыс істеген кезде шапқыштың орнықтылығын байқап тұрыңыз, өте еңіс жердегі шөпті шаппаңыз.

Құрылғы ылдида жұмыс істеген кезде аударылып қалуы мүмкін. Қауіпсіздік түсінігіне орай, құрылғыны 15° (26,8 %) жоғары болатын еңіс жерде асып қойып жұмыс істеуге болмайды. **Жарақат алу қаупі бар!** 15° ылди тіктігі - 26,8 см тік өріне және 100 см көлденең ұзындығына сай келеді.



Бұйымды қолданған кезде қозғалтқыштың жеткілікті майлауына кепіл беру үшін, асып қойған кезде, аспаппен бірге жеткізілетін іштен жанатын қозғалтқышты пайдалану жөніндегі нұсқаулықтағы деректерге қосымша назар аударыңыз.

Жұмыстың басталуы:



Жарақат алу қаупі бар!

Айналмалы бөлшектерге қолдарыңызды немесе аяқтарыңызды тигізуге болмайды.

Қауіпсіздік түсінігіне орай үнемі екі қолмен жұмыс істеңіз – айтқандай екі қол да жұмыс барысында меңгерікте болу керек. Құрылғыны бір қолмен басқаруға тырыспаңыз.

Жұмыс ауқымдылығы тежегіш тірегінің қысымымен анықталады.

Құрылғыны ауыр өңделетін топырақтарда (мысалы, тасты немесе қатты) аса мұқият қолданыңыз – жұмыс құралдарының айналу жылдамдығын азайтыңыз (газбен реттеу).

Құрылғының қолданысы жүрістің жылдамдығына негізделген - жұмыс уақытында жүгіруге болмайды. Құрылғымен бірге жылдам қозғалған кезде: сүрініп қалу, тайғанап кету және т.б. нәтижесінде жарақат алу қаупі төнеді.

Назар аударыңыз: жарақат алу қаупі бар!

Өте абай болыңыз және бұрылу, өзіне тарту және артқа қозғалу барысында аяқтарыңыз жұмыс құралдарынан алшақ қауіпсіз аймақта болуын байқап отырыңыз (қопсытқыш жұлдызшалардан).

Назар аударыңыз: сүріну қаупі бар! Артқа қарай қозғалған кезде кедергілердің жоқ екенін көз жеткізіп алыңыз.

Егер құрылғы тұрып қалса, қозғалтқышты сөндіріп, тұтандыру білтесінің түйіспелі ұштығын суырып тастаңыз. Құрылғыны екінші адамның көмегімен көтеріп, босатыңыз.

Қозғалтқышты мына жағдайда сөндіріңіз,

- тасымалдауға арналған машинаны аудармас бұрын,
- машинаны жұмыс аймағына жеткізген кезде,
- егер сіз құрылғыдан алыстасаңыз немесе ол қараусыз қалатын болса,

– қозғалтқышты сөндіріп, жұмыс істеп тұрған құрал-сайманның тоқтағанын күтіңіз де, тұтатқыш білтенің түйіспелі ұштығын алып шығыңыз. Қозғалтқыш суығанда ғана жанар-жағар май құйыңыз. **Өрттің туындау қаупі бар!**

– жұмыс істемейтін аумаққа машинаны тасымалдаған кезде.

Іштен жанатын қозғалтқышты тоқтатып, от алдыру білтесі сымының штекерін мына жағдайларда суырып алыңыз:

- бұғаттауды алудан бұрын,
- құрылғыны көтеріп алып, тасымалдау алдында,
- құрылғыны тасымалдау алдында,
- құрылғыны тексеруден немесе тазалаудан, я болмаса, онымен басқа жұмыс істеуден бұрын (мысалы, бас тұтқаны реттеу, тасымалдауға арналған доңғалақтарды жылжыту),
- егер бөтен зат түсіп кетсе немесе құрылғы өте қатты дірілдесе. Бұл жағдайда құрылғыда, әсіресе жұмыс құралында (қопсытатын жұлдызшалар, қопсытатын жұлдызша бекіткіші, жетек білігі) зақымдалған жерлердің бар-жоғын тексеріңіз және құрылғыны іске қосып, оның жұмысын жалғастырмас бұрын қажетті жөндеу жасаңыз.

Жарақат алу қаупі бар!

Қатты дірілдер әдетте ақаулықтың белгісі болып табылады.

Әсіресе, қозғауыш кішкентай кетпенді зақымдалған немесе иілген жетек білігімен немесе зақымдалған жұмыс құралдарымен пайдалануға болмайды.

Қандай да кеңестер қажет болған жағдайда, барлық қажетті жұмыстарды кәсіпқой маманға орындауға беріңіз – STIHL компаниясы STIHL делдалдарын ұсынады.

4.7 Техникалық қызмет көрсету және жөндеу

Тазалау, орнату, жөндеу және техникалық қызмет көрсету жұмыстарын бастамас бұрын:

- Құрылғыны берік, тегіс жерге қойыңыз,
- Іштен жанатын қозғалтқышты өшіріңіз және суытыңыз,
- От алдыру білтесі сымының штекерін шығарыңыз.



Назар аударыңыз – жарақат алу қаупі бар!

От алдыру білтесі сымының штекерін от алдыру білтесінен алшақ ұстаңыз, себебі күтілмеген ұшқын өрт не ток соғуға әкелуі мүмкін.

От алдыру білтесінің от алдыру білтесі сымының штекеріне абайсыз тию іштен жанатын қозғалтқыштың күтілмеген іске қосылуына әкелуі мүмкін.

Құрылғыны тазалағанда және техникалық қызмет көрсеткенде артқа еңкейтіңіз. Егер құрылғы алдыңғы жағымен немесе бүйірінен жатса, ұзақ жөндеу қажет болатын қозғалтқыштың және басқа бөлшектердің зақымдануы мүмкін.

Трансмиссия, қозғалтқыш, шығаратын коллектор және тұншықтырғыш аймағына техникалық қызмет көрсетер алдында қозғалтқышқа суу үшін уақыт беріңіз. Температурасы 80° C және одан да жоғары болуы мүмкін. **Жану қаупі бар!**

Мотор майымен тікелей жанасу қауіпті болуы мүмкін, оған қоса, мотор майын төгуге болмайды.

STIHL компаниясы мотор майын құю және мотор майын ауыстыру үшін STIHL делдалдарына жүгінуді ұсынады.

Құрылғыны тозу белгілері мен зақымдардың болуына тұрақты тексеріп отырыңыз, әсіресе ұзақ уақыт пайдаланбай қоятын кезде (мысалы, қыс мезгілінің алдында). Қауіпсіздік түсінігіне орай, тозған және зақымданған бөлшектерді дереу ауыстыру керек, соның арқасында құрал қауіпсіз әрі қалыпты қолданыс жағдайында болады.

Тазалау:

Қолданып болғаннан кейін, құрылғы жақсылап тазартылуы керек. (⇒ 12.2)

Жиналған қалдықты ағаш таяқпен кетіріңіз. Құрылғының төменгі бетін қылшақпен және сумен жуыңыз. Агрессивті жуғыш заттарды пайдаланбаңыз. Бұлар пластиктің немесе металдың зақымдалуына әкеліп, STIHL құрылғысының қауіпсіз жұмысына теріс әсер етуі мүмкін.

Құрылғының төменгі жағын (қалқаннан төмен барлық бөлшектерді) жоғары қысымды тазалағышпен немесе бұмен тазалауға рұқсат етіледі. Осы кезде кем дегенде бір метр қашықтықты сақтау керек 1 м және подшипниктер мен тығыздаушылар орнатылған жерге суды бағыттауға болмайды – әсіресе трансмиссия корпусы мен қалқан арасындағы тығыздалған жерлерге.

Өрттің туындау қаупін азайту үшін, желдеткіш тесіктер, суытқыш қырлар және пайдаланылған газдарды шығаратын құбырдың жанында: шөп, сабан, мүк, құраған жапырақ және ағып кеткен майлаудың болмағанына көз жеткізіңіз.

Техникалық қызмет көрсету жөніндегі жұмыстар:

Осы пайдалану жөніндегі нұсқаулықта көрсетілген техникалық қызмет көрсету жөніндегі жұмыстарды орындаңыз, барлық басқа жұмыстарды делдал өткізуі тиіс.

Қажетті құралдар мен білім жетіспеген жағдайда **дереу** делдалға хабарласыңыз.

STIHL компаниясы техникалық қызмет көрсету жөніндегі жұмыстарды және жөндеуді орындау үшін тек STIHL делдалдарына жүгінуді ұсынады. STIHL делдалдары тұрақты түрде оқытуды ұсынады және техникалық ақпаратты қамтамасыз етеді.

Аталмыш құрылғы үшін тек қана STIHL компаниясы рұқсат еткен немесе техникалық тұрғыдан бірдей құралдарды, керек-жарақтар мен аспалы жабдықтарды пайдаланыңыз, әйтпесе адамдарға зақым келтіру немесе құрылғының бұзылу қаупі туындайды. Сұрақтар болған жағдайда делдалға хабарласыңыз.

STIHL компаниясының түпнұсқа құралдары, керек-жарақтары мен қосалқы бөлшектері өз қасиеттері бойынша құрылғы үшін оңтайлы және пайдаланушының талаптарына сай келеді. STIHL түпнұсқа қосалқы бөлшектерін STIHL қосалқы бөлшек нөмірі, STIHL атауы және қажет болғанда STIHL қосалқы бөлшек коды бойынша анықтауға болады. Ұсақ бөлшектерде тек бөлшек нөмірі ғана болуы мүмкін.

Қауіпсіздік түсінігіне орай, жанармай беру жүйесімен байланысты барлық бөлшектердің (жанармай құбырлары, жанармай шүмегі, жанармай бағы, бак қысқышы, жалғағыштар) зақымдалған және тамшылайтын жерлерін үнемі тексеріп тұрып, қажет болған жағдайда, оларды ауыстыру үшін маманды шақырыңыз (STIHL компаниясы STIHL делдалдарының қызметіне жүгінуді ұсынады).

Ескерту және нұсқау жапсырмалары әрқашан таза және оқилатын күйде болуы керек. Зақымдалған немесе жоғалған жапсырмаларды STIHL делдалдарының жаңа түпнұсқа жапсырмаларына ауыстырыңыз. Бөлшекті жаңасына ауыстырған кезде, жаңа бөлшекте дәл сондай жапсырманың бар болғанына көз жеткізіңіз.

Барлық гайкалар, бұрандамалар мен бұрандалар жақсылап тартылғанын және құрылғының қауіпсіз әрі қалыпты күйінде тұрғанын байқаңыз.

Қозғалтқыштың негізгі реттелген күйін ешқашан өзгертпеңіз және оны тым жоғары айналыстарда қолданбаңыз.

Егер техникалық қызмет көрсету кезінде қандай да бір бөліктер немесе қорғаныш құрылғылары алынып тасталса, нұсқаулықтың талабына сәйкес оларды орнына орнату қажет.

Жұмыс құралын (қопсытатын жұлдызшаларды) ауыстырған кезде жұлдызшаның түрін және тіркесімін қадағалаңыз – тек қана STIHL компаниясы растаған нұсқаларды қолдануға болады.

4.8 Ұзақ мерзім бойы сақтау

Шапқышты жабық үй-жайға апарар алдында, моторды суытыңыз.

Жағармай бағы босатылған шапқышты - жабылатын және жақсы желдетілетін үй-жайда сақтаңыз.

Оқымаған адамға (мысалы, балаларға) ұсақтағышпен жұмыс істеуге тыйым салынған.

Бағында бензині бар құрылғыны ғимараттың ішінде ешқашан сақтамаңыз. Пайда болатын бензин булары, жанып тұрған отпен немесе ұшқынмен түйісіп, кейін тұтанып кетуі мүмкін.

Жағармай бағын босату қажет болғанда, мысалы, қыс маусымында шапқышты қолданыстан уақытша шығару алдында, бұл әрекетті тек таза ауада орындаңыз (барлық жағармайды жұмсап бітіргенше қозғалтқышты іске қоспаңыз).

Ұзақ уақыт сақтау алдында (мысалы, қыс айларында) құрылғыны мұқият тазарту қажет.

Шапқышты сақтағанда, ондағы тұтандыру білтесінің түйіспелі ұштығын алып шығарып қойыңыз.

Құрылғыны тек жұмысқа жарамды күйінде ғана пайдаланған жөн.

Құрылғыны бүркеп қояр алдында, оны суытыңыз.

4.9 Пайдаға асыру

Ескі май немесе жанармай сияқты қалдықтар, қолданылып болған материалдар, сүзгілер, аккумуляторлар және басқа да тез тозатын бөлшектер адамға, жануарларға және экологияға зиян келтіруі мүмкін, сондықтан тиісті тұрпатта кедеге жаратылуы керек.

Қалдықтарды қалайша кәсіби түрде пайдаға асыруға болатындығын білу үшін қайта өңдеу орталығыңызға немесе делдалдарға жүгініңіз. STIHL компаниясы STIHL делдалдарын ұсынады.

Ауыстырылған агрегат нұсқаулыққа сәйкес пайдаға асырылатынына көз жеткізіңіз. «Қоршаған ортаны қорғау» бөліміндегі нұсқауларды ұстаныңыз. (⇒ 14.)

5. Таңбалардың сипаттамасы



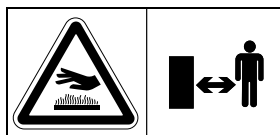
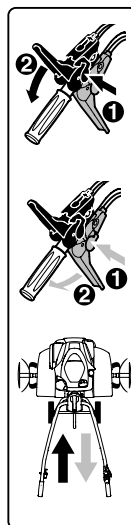
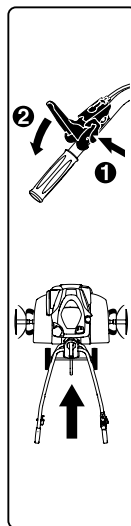
Назар аударыңыз! – Жарақат алу қаупі бар!

Құрылғыны пайдалануға енгізу алдында пайдалану жөніндегі нұсқаулар мен техникалық қауіпсіздік жөніндегі нұсқауларды мұқият оқып шығыңыз.

Айналмалы бөлшектер: Айналмалы бөлшектерге қол мен аяқтарды жақындатпаңыз. Тек қорғаушы жабындылары болған жағдайда ғана пайдалануға рұқсат етіледі.

Қауіпсіз қашықтықты сақтаңыз қашықтық.

Техникалық қызмет көрсету жұмыстарын орындаудан немесе тазалайтын жұмыстарды орындаудан бұрын тұтандыру білтесінің түйіспелі ұштығын алып тастаңыз.



МН 445:

Қауіпсіздік түсінігіне орай, қозғалғыш механизм жетегінің тұтқышын іске қоспай тұрып, ағыту тұтқышын басу керек. Бұл қозғалғыш механизм жетегі тұтқышының абайсыз қосылуының алдын алады.

МН 445 R, МН 560, МН 585, МН 685:

Қауіпсіздік түсінігіне орай, қозғалғыш механизм жетегінің тұтқышын іске қоспай тұрып, тиісті ағыту тұтқышын басу керек. Бұл қозғалғыш механизм жетегі тұтқышының абайсыз қосылуының алдын алады. Қозғалғыш механизм жетегінің қара тұтқышы алдыңғы жүріске, ал қызылы кері жүріске арналған.

Жану қаупі бар!

Ыстық жерлеріне тиіспеңіз. Трансмиссия корпусы қатты қызып кетеді.

6. Жеткізілім жиынтығы



Поз.	Атауы	Саны
A	Негізгі құрылғы	1
B	Бас тұтқа	1
C	Қысатын тұтқа	1
D	Тасымалдауға арналған доңғалақтар	1
E	Шектегіш	1
F	Сол жақ сақтандырғыш тақтайша	1
G	Оң жақ сақтандырғыш тақтайша	1
H	МН 445, МН 445 R: Қопсытатын жұлдызша	4
I	МН 560, МН 585, МН 685: Қос қопсытатын жұлдызша	2
J	МН 585, МН 685: Дара қопсытатын жұлдызша	2
K	Сақтандырғыш шығыршық	2
L	Өсімдіктерге арналған қорғау дискісі	2
M	Қозғалғыш механизм жетегінің тұтқышы (алдыңғы жүріс), қара	1
N	МН 445 R, МН 560, МН 585, МН 685: Қозғалғыш механизм жетегінің тұтқышы (артқы жүріс), қызыл	1

Поз.	Атауы	Саны
O	MH 445: Бекіту гайкасы M6	1
P	MH 445: Қақпақ	1
Q	Бекіту гайкасы M6	1
R	Жартылай жасырын басты бұранда M6	1
S	MH 445, MH 445 R, MH 585, MH 685: Қайырмалы қабаты бар шплинт 10x40	6
	MH 560: Қайырмалы қабаты бар шплинт 10x40	4
T	Жартылай жасырын басты бұранда M8	2
U	Алты қырлы гайка M8	2
B	Кабель орамы	2
–	Пайдалану жөніндегі нұсқаулық	1
–	Пайдалану жөніндегі нұсқаулық Іштен жанатын қозғалтқыш	1
–	MH 560, MH 585, MH 685: От алдыру білтесінің кілті	1

7. Қолданысқа дайындау

7.1 Монтаждау жөніндегі нұсқаулар



Жарақат алу қаупі бар!

«Қауіпсіздік шаралары»

бөліміндегі қауіпсіздік техникасының нұсқауларын ұстаныңыз. (⇒ 4.) Монтаждау жұмыстарын жүргізгенде от алдыру білтесі сымының штекерін шығарыңыз, ал қопсытатын жұлдызшамен жұмыс істеген кезде қолғап киіңіз.

Көрсетілген айналу мезеттерін қадағалаңыз!

Арқан жетектерді және дрессельдік жапқышты басқару арқанын сипаттамаға сәйкес төсеңіз.

Арқан жетектерін дұрыс орнатпау (мысалы, дұрыс емес төсем немесе басқа жетек тұтқышына жүргізу) жұмыс ақауларына себеп болуы мүмкін.

- Барлық сипатталған жұмыстарды таза, көлденең, тегіс және берік бетте өткізіңіз.
- Монтаждау кезіндегі күйді қадағалаңыз – құрылғының тұрақты және қауіпсіз күйін қадағалаңыз.

- Арқан жетектерін монтаждау нұсқауларын қатаң түрде орындаңыз, құрылғыны (меңгерікті жинаған кезде) зақымдамау және жұмыс ақаулығына себеп болмауы үшін міндетті түрде барлық меңгеріктегі арқан жетектерін **кабель орамы** көмегімен бекітіңіз.

Қозғалғыш механизм жетегінің тұтқышы, арқан жетектер

MH 445:

- Бас тұтқаның жоғарғы бөлігіндегі қозғалғыш механизм жетегінің қара тұтқышы.
- Іске қосудың арқан жетегі (алдыңғы жүріс).

MH 445 R, MH 560, MH 585, MH 685:

- Бас тұтқаның жоғарғы бөлігіндегі қозғалғыш механизм жетегінің қара тұтқышы.
- Бас тұтқаның жоғарғы бөлігіндегі қозғалғыш механизм жетегінің қызыл тұтқышы.
- Іске қосудың арқан жетегі (алдыңғы жүріс). Арқан жетегі **қара құрсау шығыршықпен** жабдықталған және қозғалғыш механизм жетегінің қара тұтқышына бекітіледі.
- Іске қосудың арқан жетегі (артқы жүріс). Арқан жетегі **қызыл құрсау шығыршықпен** жабдықталған және қозғалғыш механизм жетегінің қызыл тұтқышына бекітіледі.

7.2 Қозғалғыш бөлімін орнату



- Орнату күйі:
Негізгі құрылғыны (А) суретте көрсетілгендей алдыңғы бетіне қойыңыз және тұрақтандыру үшін екі жетек білігіне тиісті ағаш тұғырларды (1) (биіктігі 50 - 60 мм, ені/ұзындығы шамамен 100 мм) қойыңыз.
- **1** Қамытты (2) жоғары қарай басып тұрыңыз.
- **2** Тасымалдауға арналған доңғалақтарды (D) саңылау ішіне (3) ағыту тұтқасының (4) болттарына салыңыз.
- Тасымалдауға арналған доңғалақтарды (D) тірелмегенше жоғары қарай басып тұрыңыз.
- **3** Қамытты (2) төменге қарай басып тұрыңыз. Бұрандаларды (Т) екі жағына астынан енгізіңіз.
- **4** Қамытты (2) екі гайканы (U) бұрау арқылы бекітіңіз.

7.3 Шектегішті орнату



- Орнату күйі:
«Қозғалғыш бөлімін орнату» бөлімін қараңыз (⇒ 7.2)
- Ағыту болттарын (1) басып тұрыңыз.
- Шектегішті (Е) астынан адаптер (2) ішіне енгізіңіз және тірелмегенше жоғары қарай жылжытыңыз.
- Ағыту болттарын (1) босатыңыз және шектегішті (Е) енгізілмегенше төмен тартыңыз.
- Шектегіштің (Е) берік бекітілгенін тексеріңіз.

7.4 Бас тұтқаны монтаждау



- **1** Монтаждау күйі:
«Қозғалғыш бөлімін орнату» бөлімін қараңыз (⇒ 7.2)
- Резеңке таспаны (1) шығарыңыз.
- **2** Консольді (2) көтеріп ұстаңыз.
- **3** Бас тұтқаны (В) консоль (2) мен бас тұтқаның төменгі бөлігі (3) арасында тірелмегенше ортасына енгізіңіз және ұстаңыз. Серіппенің (4) мойындары суретте көрсетілгендей бекіткіш реттеуінің (5) бойымен өтуі тиіс. Серіппенің (4) суретте көрсетілген реттегіш элементтегі (6) позициясын бақылаңыз, қажет болса, серіппені тартыңыз.
- **4** Бұранданы (7) берік бұрап бекітіңіз.
- **5** Гайканы (8) қысатын тұтқадан (С) бұрап шығарыңыз да, серіппемен (9) бірге алыңыз.
- Қысатын тұтқаны (С) кірістірілген бұрандамен жоғарыдан консоль (2) мен бас тұтқаның төменгі бөлігі (3) арқылы жылжытыңыз. Серіппені (9) қысатын тұтқаның (С) үстіне жылжытыңыз. Гайканы (8) бір-екі айналымға бұраңыз.

Нұсқау!

- Қысатын тұтқаны (С) іштен жанатын қозғалтқыштың алдыңғы жағына керілу үшін басылатындай орнатыңыз.
- **6** Бас тұтқаның жоғарғы бөлігінің (3) орталық позициясын таңдаңыз. (⇒ 11.3)
- Қысатын тұтқаны (С) қолмен алға итеріңіз.

- Гайканы (8) 5 Нм мезетімен бұраңыз (тірелгенше емес).
- Бекітуді тексеру:
Қысатын тұтқаны (С) қолмен басқару мүмкін болғанда және бас тұтқа негізгі құрылғыға берік бекітілгенде, қысатын тұтқаның орнатылуы дұрыс орындалады.
- Керіліс күшін реттеу:
Бас тұтқа жеткіліксіз бекітілген болса немесе қысатын тұтқаны қолмен басқару мүмкін болмаса, қысатын тұтқаны босатып, гайканы (8) бұрап бекіту және бұрап босату арқылы керіліс күшін реттеңіз.
Содан кейін қысатын тұтқаны қайтадан алға итеріңіз.



Жарақат алу қаупі бар!

Құрылғыны тек негізгі құрылғыда бекітілген бас тұтқамен (бас тұтқа дайын күйінде бос тұрмауы керек) итеруге немесе тартуға болады.

7.5 Бас тұтқаны ашу



- Қысатын тұтқаны (1) жоғары тартыңыз. Бас тұтқаның жоғарғы бөлігін (2) көрсеткі бағымен ашыңыз.
- Қысатын тұтқаны (1) тірелмегенше алға қарай итеріңіз.
- Бас тұтқаның биіктігін реттеңіз. (⇒ 11.2)

7.6 Сақтандырғыш тақтайшаларды орнату



- Сақтандырғыш тақтайшаларға (F, G) орнатылған бұрандаларды (1) тексеріңіз – оларды толығымен бұрап алмаңыз.
- Қозғауыш кішкентай кетпенді тазалау позициясына келтіріңіз. (⇒ 12.2)
- Сол жақ сақтандырғыш тақтайшаны (F) үш алдын ала орнатылған бұранда (1) қақпақтағы үш тесікке (2) кіретіндей етіп енгізіңіз.
- Сақтандырғыш тақтайшаны (F) алға жылжытып, ұстап тұрыңыз.
- Бұрандаларды (1) бұрап, 10 - 12 Нм айналдыру моментімен бекітіңіз.
- Сақтандырғыш тақтайшаның (F) берік бекітілгенін тексеріңіз де, содан кейін оң жақ сақтандырғыш тақтайшаны (G) дәл сол әдіспен орнатыңыз.

7.7 Қопсытатын жұлдызшаларды орнату МН 445, МН 445 R



- Қозғауыш кішкентай кетпенді тазалау позициясына келтіріңіз. (⇒ 12.2)



Монтаждау жөніндегі нұсқауларды қатаң ұстаныңыз. Әсіресе әрекеттердің тәртібін сақтаңыз және сақтандырғыш шығыршықты, қопсытатын жұлдызшаларды және қайырмалы шплинттерді сипаттамаға сай толығымен орнатыңыз. Қайырмалы шплинттерді орнатқанда сақтандырғыш қапсырманың көрсетілген енгізу бағыты мен күйін ұстаныңыз. Қате немесе шамадан тыс бұралып орнатылған жағдайда қайырмалы шплинт өздігінен босатылып, жоғалуы мүмкін.

Жұмыс нәтижесі толықтай тиімді болуы үшін, қопсытатын жұлдызшалардың жүздері алға (бас тұтқаға қарай емес) қарап тұруы тиіс – көрсеткі бағытын бақылап отырыңыз.

Қопсытатын жұлдызшаның анықтамасы:

- Қопсытатын жұлдызша (1): білікке кигізілетін төлкенің бірегей сыртқы диаметрі (2).
- Қопсытатын жұлдызша (3): білікке кигізілетін төлкенің өзгеше сыртқы диаметрі (4).



- Сақтандырғыш шығыршықты (K) жетек білігінде (5) тірелмегенше жылжытыңыз. Сақтандырғыш шығыршықтың ойықтары беру былғары қаптамасының (6) үш шығыңқы жеріне енгізілуі тиіс.

- Қопсытатын жұлдызшаны (1) білікке кигізілетін **қысқа** төлке (2) беру былғары қаптамасына қарап тұратындай етіп, ал жүздері (7) алға қарап тұратындай етіп орналастырыңыз. Қопсытатын жұлдызшадағы көрсеткілер (8) және беру былғары қаптамасындағы (6) көрсеткі (9) бірдей бағытта көрсетіліп тұруы тиіс.
- Қопсытатын жұлдызшаны (1) жетек білігіне (5) қойыңыз.
- Қопсытатын жұлдызшаны (1) білікке кигізілетін төлке мен жетек білігінің тесіктері сәйкес келетіндей етіп бұраңыз.



- Қайырмалы шплинтті (S) тесіктер арқылы енгізіп, сақтандырғыш қапсырманы жауып қойыңыз.



- Қопсытатын жұлдызшаны (3) білікке кигізілетін төлкенің (4) **кішкентай** сыртқы диаметрі бекітіліп қойылған қопсытатын жұлдызшаға (1) қарап тұратындай етіп, ал жүздері (7) алға бағытталатындай етіп орналастырыңыз. Қопсытатын жұлдызшадағы көрсеткілер (8) және беру былғары қаптамасындағы (6) көрсеткі (9) бірдей бағытта көрсетіліп тұруы тиіс.
- Қопсытатын жұлдызшаны (3) орнатылып қойылған қопсытатын жұлдызшаның (1) ішіне енгізіңіз.
- Қопсытатын жұлдызшаны (3) екі қопсытатын жұлдызшадағы тесіктер сәйкес келетіндей етіп бұрап бекітіңіз.

4

- Қайырмалы шплинтті (S) тесіктер арқылы енгізіп, сақтандырғыш қапсырманы жауып қойыңыз.
- Қажет болған жағдайда өсімдіктерге арналған қорғау дискісін орнатыңыз. (⇒ 7.9)
- Қопсытатын жұлдызшаларды орнату процедурасын екінші жағында қайталаңыз.

7.8 Қопсытатын жұлдызшаларды орнату МН 445, МН 585, МН 685



- Қозғауыш кішкентай кетпенді тазалау позициясына келтіріңіз. (⇒ 12.2)



Монтаждау жөніндегі нұсқауларды қатаң ұстаныңыз. Әсіресе әрекеттердің тәртібін сақтаңыз және сақтандырғыш шығыршықты, қопсытатын жұлдызшаларды және қайырмалы шплинттерді сипаттамаға сай толығымен орнатыңыз. Қайырмалы шплинттерді орнатқанда сақтандырғыш қапсырманың көрсетілген енгізу бағыты мен күйін ұстаныңыз. Қате немесе шамадан тыс бұралып орнатылған жағдайда қайырмалы шплинт өздігінен босатылып, жоғалуы мүмкін.

Жұмыс нәтижесі толықтай тиімді болуы үшін, қопсытатын жұлдызшалардың жүздері алға (бас тұтқаға қарай емес) қарап тұруы тиіс – көрсеткі бағытын бақылап отырыңыз.

Қопсытатын жұлдызшаның анықтамасы:

- Қопсытатын жұлдызша (I): екі қатарлы қопсытатын жұлдызша.
- Қопсытатын жұлдызша (J): бір қатарлы қопсытатын жұлдызша.

1 МН 560, МН 585, МН 685

- Сақтандырғыш шығыршықты (K) жетек білігінде (1) тірелмегенше жылжытыңыз. Сақтандырғыш шығыршықтың ойықтары беру былғары қаптамасының (2) үш шығыңқы жеріне енгізілуі тиіс.
- Қопсытатын жұлдызшаны (I) білікке кигізілетін қысқа төлке (3) беру былғары қаптамасына қарап тұратындай етіп, ал жүздері (4) алға қарап тұратындай етіп орналастырыңыз. Қопсытатын жұлдызшадағы көрсеткілер (5) және беру былғары қаптамасындағы (2) көрсеткі (6) бірдей бағытта көрсетіліп тұруы тиіс.
- Қопсытатын жұлдызшаны (I) жетек білігіне (1) қойыңыз.
- Қопсытатын жұлдызшаны (I) білікке кигізілетін төлке мен жетек білігінің тесіктері сәйкес келетіндей етіп бұраңыз.

2 МН 560, МН 585, МН 685

- Қайырмалы шплинтті (S) тесіктер арқылы енгізіп, сақтандырғыш қапсырманы жауып қойыңыз.

3 МН 585, МН 685

- Қопсытатын жұлдызшаны (J) білікке кигізілетін төлкенің (7) кішкентай сыртқы диаметрі бекітіліп қойылған қопсытатын жұлдызшаға (I) қарап тұратындай етіп, ал жүздері (4) алға бағытталатындай етіп

орналастырыңыз. Қопсытатын жұлдызшадағы көрсеткілер (5) және беру былғары қаптамасындағы (2) көрсеткі (6) бірдей бағытта көрсетіліп тұруы тиіс.

- Қопсытатын жұлдызшаны (J) орнатылып қойылған қопсытатын жұлдызшаның (I) ішіне енгізіңіз.
- Қопсытатын жұлдызшаны (J) екі қопсытатын жұлдызшадағы тесіктер сәйкес келетіндей етіп бұрап бекітіңіз.

4 МН 585, МН 685

- Қайырмалы шплинтті (S) тесіктер арқылы енгізіп, сақтандырғыш қапсырманы жауып қойыңыз.

МН 560, МН 585, МН 685

- Қажет болған жағдайда өсімдіктерге арналған қорғау дискісін орнатыңыз. (⇒ 7.9)
- Қопсытатын жұлдызшаларды орнату процедурасын екінші жағында қайталаңыз.

7.9 Өсімдіктерге арналған қорғау дискісін орнату



Қайырмалы қабаты бар шплинттерді орнатқанда сақтандырғыш қапсырманың көрсетілген енгізу бағыты мен күйін ұстаныңыз. Қате немесе шамадан тыс бұралып орнатылған жағдайда қайырмалы қабаты бар шплинт өздігінен босатылып, жоғалуы мүмкін.

- Өсімдіктерге арналған қорғау дискісін (L) сыртқы қопсытатын жұлдызшаға орнатыңыз. Өсімдіктерге арналған қорғау дискісін қопсытатын жұлдызша мен дискідегі тесіктер сәйкес келетіндей етіп орнатыңыз.
- Қайырмалы қабаты бар шплинтті (S) тесіктер арқылы енгізіп, сақтандырғыш қапсырманы жауып қойыңыз.
- Әрекетті басқа жағында қайталаңыз.

7.10 Қозғалғыш механизм жетегінің тұтқышын орнату



- Орнату жөніндегі нұсқауларды ұстанаңыз. (⇒ 7.1)
- Қара қозғалғыш механизм жетегінің тұтқышын (M) кірістірілген бұрандамен (1) жоғарыдан бас тұтқаның жоғарғы бөлігіне тесік арқылы орнатыңыз.
- МН 445: Бекіту гайкасын (O) бұрап бекітіңіз және 7 - 9 Нм айналдыру моментімен бұрап тастаңыз. Қақпақты (P) кигізіңіз.
- МН 445 R, МН 560, МН 585, МН 685: Қызыл қозғалғыш механизм жетегінің тұтқышын (N) қара тұтқаның бұрандасын қызыл тұтқаға кірістірілген гайканың ішіне бұрап бекітуге болатындай етіп орналастырыңыз. Қызыл қозғалғыш механизм жетегінің тұтқышын (N) бас тұтқаға қарай жоғары басыңыз. Бұранданы (1) бұрап бекітіңіз және 7 - 9 Нм айналдыру моментімен бұрап тастаңыз.

7.11 Іске қосу жетегінің арқанын өткізу



- Орнату жөніндегі нұсқауларды ұстанаңыз. (⇒ 7.1)
- **1** Іске қосу жетегінің арқанын (алға қозғалу) (1) жазып алыңыз және ұстағышқа (2) іліңіз.
- **2** Гайкаларды (3) 2 - 4 Нм созылу мезетімен бекемдеңіз.
- Іске қосу жетегінің арқанын (алға қозғалу) (1) келесідей жоғары бағыттаңыз:
 - A** Іске қосу жетегінің арқанын (алға қозғалу) (1) бас тұтқаның жоғарғы бөлігі (4) арқылы өткізіңіз.
 - B** Іске қосу жетегінің арқанын (алға қозғалу) (1) бас тұтқаның жоғарғы бөлігіндегі арқалықтың (5) астынан өткізіңіз.
- МН 445 R, МН 560, МН 585, МН 685: Іске қосу жетегінің арқанын (артқа қозғалу) (6) іштен жанатын қозғалтқыштың оң жағына басқару тұтқышының (7) астынан өткізіңіз. Бас тұтқадағы жетек арқанын, іске қосу жетегінің арқаны (алға қозғалу) сияқты жоғары бағыттаңыз.

7.12 Іске қосу жетегінің арқанын ілу



- Орнату жөніндегі нұсқауларды ұстанаңыз. (⇒ 7.1)
- **Іске қосу жетегінің арқаны (алға қозғалу):**
 - Жетек арқанының бұрандалы түтігін (1) қара қақпағымен (2) қара қозғалғыш механизм жетегінің тұтқышына (M) енгізіңіз.

- Бұрандалы түтікті (1) тұтқадағы (4) саңылау (3) арқылы өткізіңіз. Қажет болған жағдайда тиісті қысқыштарды пайдаланыңыз.
- Бұрандалы түтікті (1) жарамды қысқыштармен тартыңыз және суретте көрсетілгендей оны тұтқаға (4) іліңіз.
- Қақпақты (2) қозғалғыш механизм жетегінің тұтқышына (4) басып салыңыз.
- **Жұмысын тексеру:** Қозғалғыш механизм жетегінің тұтқышын басыңыз. (⇒ 8.2) Қозғалғыш механизм жетегінің тұтқышы еркін қозғалуы тиіс.

Іске қосу жетегінің арқаны (артқа қозғалу)

МН 445 R, МН 560, МН 585, МН 685:

- Жетек арқанының бұрандалы түтігін қызыл қақпағымен қызыл қозғалғыш механизм жетегінің тұтқышына енгізіңіз.
- Алдағы орнату әрекеті іске қосу жетегінің арқанын (алға қозғалу) орнату әрекетімен бірдей.

7.13 Дроссельдік жапқышты басқару арқанын салу мен орнату



- Орнату жөніндегі нұсқауларды ұстанаңыз. (⇒ 7.1)
- Дроссельдік жапқышты басқару арқанын (1) жазып алыңыз және оны келесідей салыңыз:
 - A** Дроссельдік жапқышты бас тұтқаның жоғарғы бөлігі (2) арқылы

өткізіңіз.

B Дроссельдік жапқышты басқару арқанын бас тұтқаның жоғарғы бөлігіндегі арқалықтың (3) астынан өткізіңіз.

- Бұранданы (Т) дроссельдік жапқыштың басқару арқаны корпусының (4) тесігіне орнатыңыз. Дроссельдік жапқышты басқару арқанының корпусын орнатылған бұрандамен іштен бас тұтқаның жоғарғы бөлігіне қарай орнатып, ұстап тұрыңыз. Бекіту гайкасын (U) бұрап бекітіңіз және 7 - 9 Нм айналдыру моментімен бұрап тастаңыз.

7.14 Жетек арқандарын бас тұтқаға бекіту



15

- Орнату жөніндегі нұсқауларды ұстаныңыз. (⇒ 7.1)
- МН 445:
Іске қосу жетегінің арқанын (1) кабель қамытымен (V) бас тұтқаның жоғарғы бөлігіндегі оң жаққа бекітіңіз.
- МН 445 R, МН 560, МН 585, МН 685:
Іске қосу жетегінің екі арқанын (1, 2) кабель қамытымен (V) бас тұтқаның жоғарғы бөлігіндегі оң жаққа бекітіңіз.
- Дроссельдік жапқышты басқару арқанын (3) кабель қамытымен (V) бас тұтқаның жоғарғы бөлігіндегі сол жаққа бекітіңіз.
- Кабель қамытының берік бекітілгенін тексеріңіз. Кабель қамытының шығып тұрған ұшын кесіп тастаңыз.

7.15 Жанармай және мотор майы



16



Шапқышты бүлдіріп алмас үшін!

Алғашқы іске қосудан бұрын мотор майын құю керек. Мотор майын немесе жағармай құю кезінде қосымша көмекші керек-жарақтар қолдану керек (мысалы, шұңғыманы).

Мотор майы:

Қолданылатын мотор майы мен толтырылатын майдың көлемі туралы қосымша мәліметті қозғалтқышты пайдалану жөніндегі нұсқаулықтан табуға болады. Майдың деңгейін үнемі тексеріп тұрыңыз (қозғалтқышты пайдалану жөніндегі нұсқаулықты қараңыз). Майды бақылау белгісінен асырып немесе одан аз құймаған жөн. Бензинді қозғалтқышты іске қосудан бұрын май багінің құлпын шегіне жеткенше дейін бұрап тастау керек.



Жанармай:

Біздің ұсынатынымыз: жаңа таңбалы жанармай, этилденбеген бензин. Жағармай сапасы жөніндегі нұсқауларды (октандық сан) қозғалтқышты пайдалану жөніндегі нұсқаулықтан қараңыз.



8. Басқару элементтері

8.1 Отын беруді реттеу тұтқасы



17

Отын беруді реттеу тұтқасы (1) іштен жанатын қозғалтқыштың айналымдар санын реттеуге мүмкіндік береді.

Іске қосу позициясы:



- Отын беруді реттеу тұтқасын (1) тірелмегенше **артқа қарай** тартыңыз.
- Енді іштен жанатын қозғалтқышты іске қосуға болады. (⇒ 11.6)

Тоқтату позициясы:



- Отын беруді реттеу тұтқасын (1) тірелмегенше **алға қарай** (бекіту деңгейін тексеріңіз) жылжытыңыз.
- Бірнеше секундтан кейін іштен жанатын қозғалтқыш жұмысын тоқтатады.

Айналымдар санын реттеу:

- Отын беруді реттеу тұтқасын (1) іштен жанатын қозғалтқыш жұмыс істеп тұрғанда жылжытыңыз.

Қозғалтқыш айналымдарының саны:

Жылдам



Баяу



8.2 Қозғалғыш механизм жетегінің тұтқышы



Іштен жанатын қозғалтқыш жұмыс істеп тұрғанда қозғалғыш механизмі жетегінің тұтқышын (1, 3) басқанда жетек қосылады немесе ажыратылады – жетек білігі айналады немесе тоқтайды.

Қара жетек тұтқышын (алдыңғы жүріс) (1) жерге тигенде немесе орнатылған қопсытатын жұлдызшалармен басқан кезде қозғауыш кішкентай кетпен **алға** қозғала бастайды.

Қызыл жетек тұтқышын (артқы жүріс) (3) жерге тигенде немесе орнатылған қопсытатын жұлдызшалармен басқан кезде қозғауыш кішкентай кетпен **артқа** қозғала бастайды.

Қауіпсіздік түсінігіне орай, қозғалғыш механизм жетегінің тұтқышы өз бетімен қосылып кетпеуі үшін бұғатталған. (⇒ 9.1)

Оған қоса, МН 445 R, МН 560, МН 585, МН 685 үлгілерінде механикалық бұғаттау кезінде қозғалғыш механизм жетегінің бір тұтқышын – я болмаса, жетек тұтқышын (алдыңғы жүріс) немесе жетек тұтқышын (артқы жүріс) басаға болады.



Құрылғының зақымдалуына жол бермеңіз!

Қозғалғыш механизм жетегінің тұтқышын жылдам әрі жай басыңыз, оны жартылай басып тұрмаңыз – сына тәрізді белдіктің қатты тозуына жол бермеңіз.

Қозғалғыш механизм жетегінің тұтқышын пайдалану (алдыңғы жүріс):



- **1** Ағыту тұтқышын (2) қозғалғыш механизм жетегінің тұтқышына (алдыңғы жүріс) (1) тірелгенге дейін басып, оны осы күйде ұстап тұрыңыз.
- **2** Қозғалғыш механизм жетегінің тұтқышын (алдыңғы жүріс) (1) тірелгенге дейін басып, ұстап қалыңыз.
- Босату иінтірегін (2) жіберіңіз. Жетек жалғанған және жетек білігі айналып тұр.
- **3** Жетекті ажырату: Қозғалғыш механизм жетегінің тұтқышын (алдыңғы жүріс) (1) жіберіңіз.

Қозғалғыш механизм жетегінің тұтқышын пайдалану (артқы жүріс) (МН 445 R, МН 560, МН 585, МН 685):



- **1** Ағыту тұтқышын (4) қозғалғыш механизм жетегінің тұтқышына (артқы жүріс) (3) тірелгенге дейін басып, оны осы күйде ұстап тұрыңыз.
- **2** Қозғалғыш механизм жетегінің тұтқышын (артқы жүріс) (3) тірелгенге дейін басып, ұстап қалыңыз.
- Босату иінтірегін (4) жіберіңіз. Жетек жалғанған және жетек білігі айналып тұр.
- **3** Жетекті ажырату: Қозғалғыш механизм жетегінің тұтқышын (артқы жүріс) (3) жіберіңіз.

9. Сақтандырғыш құрылғылар

Қауіпсіз түрде пайдалану және мақсатынан тыс қолданудан қорғану мақсатында, құрылғы бірнеше сақтандырғыш құрылғымен жабдықталған.



Жарақат алу қаупі бар!

Сақтандырғыш құрылғыны шешуге, қосуға, ауыстыруға немесе зақымдауға болмайды. Егер сақтандырғыш құрылғыда ақаулық байқалса, құрылғыны пайдалануға болмайды. Делдалға жүгініңіз, STIHL компаниясы STIHL делдалдарын ұсынады.

9.1 Қозғалғыш механизм жетегінің тұтқышын бекіту

Қозғалғыш механизм жетегінің тұтқышы күтпеген кезде қосылудың алдын алу үшін, механикалық түрде тоқтатылады.

Қозғалғыш механизм жетегінің тұтқышын іске қосу үшін, алдымен ағыту тұтқасын басу керек. (⇒ 8.2)

9.2 Қорғаныс құрылғылары

Мотокультиватор жұмыс құралымен еріксіз жанасуын ескертетін және сыртқа шығатын заттардан қорғайтын қорғаныш құрылғыларымен жабдықталған. Оларға бүйір сақтандырғыш тақтайшалары, қорғаныш қалқаншасы және талаптарға сәйкес орнатылған меңгерік жатады.

10. Жұмыс нұсқаулары

10.1 Пайдаланушының жұмыс аймағы



- Жұмыс істеу (қозғалтқыш істеп тұрғанда) барысындағы қауіпсіздік түсінігіне орай, пайдаланушы жұмыс аймағында болады (1-сұр аймақ).
- Мотокультиваторға тек бір адам қызмет көрсете алады, бөгде адамдар қауіпті аймақтан тыс болуы керек. (⇒ 4.)

10.2 Құрылғының жұмыс күйі



- Мотокультиваторды тек тік күйінде ғана пайдалануға рұқсат етіледі (қозғалтқыш жоғары жағында). Жұмыс барысында мотокультиваторды көлденең күйде тасымалдауға тырысыңыз, оны еңкейтпеңіз және аудармаңыз.

10.3 Қопсытатын жұлдызшалардың тіркесімдері



Оң және сол жақ жетек білігіне әрдайым саны бірдей қопсытатын жұлдызшаларды орнатыңыз.

Өсімдіктерді қорғауға арналған дискіні барлық сипатталған қопсытатын жұлдызшалар амалдарында орнатуға болады. Ол көрші өсімдіктерді қорғайды – мысалы, жіңішке атызды қайтара қазған кезде.

Ықтимал тіркесімдер МН 445, МН 445 R:

- 2 қопсытатын жұлдызша: әрбір жетек білігінде бір бірқатарлы қопсытатын жұлдызша бар
- 4 қопсытатын жұлдызша: әрбір жетек білігінде екі бірқатарлы қопсытатын жұлдызша бар

Ықтимал тіркесімдер МН 560:

- 2 қопсытатын жұлдызша: әрбір жетек білігінде қопсытатын екі қатарлы бір қопсытатын жұлдызша бар

Ықтимал тіркесімдер МН 585, МН 685:

- 2 қопсытатын жұлдызша: әрбір жетек білігінде қопсытатын екі қатарлы бір қопсытатын жұлдызша бар
- 4 қопсытатын жұлдызша: әрбір жетек білігінде екі қатарлы бір қопсытатын жұлдызша және бір қатарлы екі қопсытатын жұлдызша бар

10.4 Дененің жұмыс барысында дұрыс орналасуы



Жұмыс барысында дененің дұрыс орналасуы тез шаршаудың алдын алады.

Ол үшін құрылғыны жұмыс барысында еңкеюге тура келмейтіндей етіп реттеу керек (меңгерікті биіктік бойынша орнату, тежегіш тірегінің орнын ауыстыру).

Дененің дұрыс күйі:

- арқаны тік ұстау

- аяқты тік ұстау
- қолдар шынтақ тұсында сәл бүгілген

11. Қолданысқа енгізу

11.1 Алдын ала шаралар



Жарақат алу қаупі бар!

«Сіздің қауіпсіздігіңіз туралы» (⇒ 4.) бөлімдегі қауіпсіздік техникасының нұсқауларын ұстаныңыз және мотокультиваторды басқару органдарымен танысыңыз. (⇒ 8.)

- Мотор майының деңгейін тексеріңіз және май құйыңыз. (⇒ 7.15)

11.2 Бас тұтқаның жоғарғы бөлігінің кесу биіктігін реттеу



Бас тұтқаның жоғарғы бөлігін биіктік бойынша реттеуге болады.

- Тасымалдауға арналған доңғалақтарды шығарыңыз. (⇒ 11.4)
- Бір қолыңызбен бас тұтқаның жоғарғы бөлігін (1) тіреуіш тұтқаға (2) мықтап ұстап тұрыңыз.
- Екінші қолыңызбен қысатын тұтқаны (3) артқа тартып, ұстаңыз.
- Бас тұтқаның жоғарғы бөлігін (1) қалаулы позицияға орнатыңыз.
- Қысатын тұтқаны (3) алға қарай басыңыз және бас тұтқаның жоғарғы бөлігі толығымен орнына түскеніне және бекітілгеніне көз жеткізіңіз.
- Қажет болған жағдайда тасымалдауға арналған доңғалақтарды жабыңыз. (⇒ 11.4)

11.3 Бас тұтқаның бүйірін реттеу



Бас тұтқаны бүйірінен 3 позицияда бекітуге болады.

- Тасымалдауға арналған доңғалақтарды шығарыңыз. (⇒ 11.4)
- Бас тұтқаның жоғарғы бөлігін бір қолыңызбен тұтқаға бекітіп қойыңыз.
- Қысатын тұтқаны (1) қолмен жоғары тартыңыз.
- Бас тұтқаны қажетті позицияға орнатыңыз. Шығыңқы жер (2) үш саңылаудың (3) біреуінен жоғары тұрғандығына көз жеткізіңіз.
- Қысатын тұтқаны (1) қолмен алға итеріңіз және бас тұтқаны бекітіңіз.
- Бас тұтқаның берік бекітілгендігін тексеріңіз.
- Қажет болған жағдайда тасымалдауға арналған доңғалақтарды жабыңыз. (⇒ 11.4)

11.4 Тасымалдауға арналған доңғалақтарды шығару және жабу



Тасымалдауға арналған доңғалақтар қозғауыш кішкентай кетпенді жылжыту немесе тарту арқылы тасымалдауға мүмкіндік береді.



Жарақат алу қаупі бар!

Тасымалдауға арналған доңғалақтар жұмыстың жағдайында (жоғары қарай жабылған) болғанда және ағыту тұтқышы басылғанда, тасымалдауға арналған доңғалақтар өздігінен тасымалдау жағдайына түсуі мүмкін.

Тасымалдауға арналған доңғалақтарды шығару – тасымалдау жағдайы:

- Тасымалдауға арналған доңғалақтарды (1) бір қолмен ақырындап көтеріп, ұстап тұрыңыз.
- Ағыту тұтқышын (2) басыңыз.
- Тасымалдауға арналған доңғалақтарды (1) тірелмегенше төмен жинаңыз және ағыту тұтқышын (2) босатыңыз. Тасымалдауға арналған доңғалақтар енгізіліп, бекітіледі.

Тасымалдауға арналған доңғалақтарды жабу – жұмыстың жағдайы:

- Тасымалдауға арналған доңғалақтарды (1) бір қолмен ұстап, ақырындап көтеру арқылы босатыңыз.
- Ағыту тұтқышын (2) басып, тасымалдауға арналған доңғалақтарды жоғары қарай жинаңыз.
- Ағыту тұтқышын (2) босатып, тасымалдауға арналған доңғалақтарды тірелмегенше жоғары қарай жинаңыз. Тасымалдауға арналған доңғалақтар енгізіліп, жұмыстың жағдайында бекітіледі.

11.5 Шектегішті реттеу



Шектегіштің көмегімен топырақты еңдеу барысындағы қарсылықты және беріліс жылдамдығын реттеуге болады. Шектегішті жақсырақ реттеу үшін 3 деңгейге орнатуға болады.

Шектегішті реттеу:

- Тасымалдауға арналған доңғалақтарды тасымалдау жағдайына ашып қойыңыз. (⇒ 11.4) Құрылғының тұрақты және қауіпсіз күйін қадағалаңыз.
- Ағыту болттарын (1) басып тұрыңыз.
- Шектегішті (2) қажетті күйге қойыңыз.
- Ағыту болттарын (1) босатыңыз және шектегіштің енгізілгенін тексеріңіз.

11.6 Іштен жанатын қозғалтқышты іске қосу



- Отын беруді реттеу иінтірегінің іске қосу күйіне қойыңыз. (⇒ 8.1)
- Стартер арқанындағы (1) тұтқаны мықтап ұстап тұрыңыз.
- Стартер арқанын (1) қысылуға кедергі келтірілгенше ақырын тартыңыз. Содан кейін оны қатты, жылдам және бір қимылмен қолдың ұзындығындай түсіріңіз. Стартер арқанын (1) қайтадан оралып қалмау үшін баяу орнына қайтарыңыз. Осы процесті іштен жанатын қозғалтқыш іске қосылмайынша қайталай беріңіз.

11.7 Қозғалтқышты тоқтату

- Қозғалтқышты тоқтату үшін газ орнату тұтқасын «Стоп» күйіне қойыңыз. (⇒ 8.1)
Қысқа уақыттан кейін қозғалтқыш тоқтайды.

11.8 Қозғалғыш механизм жетегін қосу/сөндіру жетегі (алға қозғалу)

Қозғалғыш механизм жетегін қосу (алға қозғалу):

- Қозғалтқышы ажыратылған қозғауыш кішкентай кетпенді жұмыс аймағына алып барыңыз. (⇒ 13.)
- Қозғалтқышты іске қосу. (⇒ 11.6)
- Қозғалтқышы ажыратылған қозғауыш кішкентай кетпенді екі қолмен саптарынан ұстаңыз.
- Қозғалғыш механизм жетегінің **қара** тұтқасын басыңыз (алға қозғалғыс) және оны осы күйінде ұстап тұрыңыз. (⇒ 8.2)
Орнатылған құралдары бар жетек білігі қозғала бастайды, мотокультиватор алға қозғалады.

Қозғалғыш механизм жетегін сөндіру (алға қозғалу):

- қозғалғыш механизм жетегінің тұтқасын босатыңыз (алға қозғалу). (⇒ 8.2)
Орнатылған жұмыс құралдары бар қозғалғыш білігі тоқтайды.

11.9 Қозғалғыш механизм жетегін қосу және сөндіру (артқа қозғалу) (МН 445 R, МН 560, МН 585, МН 685)

Қозғауыш кішкентай кетпеннің МН 445 R, МН 560, МН 585, МН 685 үлгілері кері жүріспен жабдықталған.

Кері жүріс тек қана қозғауыш кішкентай кетпен тұрып қалып, алға қарай қозғала алмаған кезде топырақты өңдеу үшін жүзеге асырылады. Қопсыту үшін кері жүріс қарастырылмаған.



Жарақат алу қаупі бар!

Қозғалғыш механизм жетегін (кері жүріс) қосар алдында денеңіз бен бас тұтқаның арасында айтарлықтай қашықтық бар болғанына көз жеткізіп алыңыз.

Қозғалғыш механизм жетегін қосу (кері жүріс):

- Іштен жанатын қозғалтқышы ажыратылған қозғауыш кішкентай кетпенді жұмыс аймағына алып барыңыз. (⇒ 13.1)
- Іштен жанатын қозғалтқышты іске қосыңыз. (⇒ 11.6)
- Қозғауыш кішкентай кетпенді екі қолмен саптарынан ұстаңыз.
- Қозғалғыш механизм жетегінің **қызыл** тұтқасын (кері жүріс) басыңыз және осы күйінде ұстап тұрыңыз. (⇒ 8.2)
Орнатылған жұмыс құралдары бар жетек білігі қозғала бастайды, қозғауыш кішкентай кетпен артқа қарай қозғалады.

Қозғалғыш механизм жетегін сөндіру (кері жүріс):

- Қозғалғыш механизм жетегінің тұтқышын (кері жүріс) босатыңыз. (⇒ 8.2)
Орнатылған жұмыс құралдары бар жетек білігі тоқтайды.

11.10 Қопсыту

Қопсыту барысында топырақ айналғыш қопсытқыш жұлдызшамен өңделеді және егуге, келесі өңдеуге немесе өсімдіктерді күтім жасауға дайындалады.



Жарақат алу қаупі бар!

Қопсыту барысында алға қарай қозғалыңыз. Алдыңызда қозғалғысқа тыйым салынған кедергілер жоқ екенін тексеріңіз (мысалы, жаяу жүретін жолдағы тас тақталар).

- Қозғалтқышы ажыратылған қозғауыш кішкентай кетпенді жұмыс аймағына алып барыңыз. (⇒ 13.1)
- Тасымалдауға арналған доңғалақтарды алып тастаңыз. (⇒ 11.4)
- Қозғалтқышты іске қосу. (⇒ 11.6)
- Қопсытқышты екі қолыңызбен тұтқаларынан мықтап ұстаңыз және тұрақты күйді сақтаңыз – пайдаланушының жұмыс аймағын қадағалаңыз. (⇒ 10.1)
- Қозғалғыш механизм жетегінің тұтқышын (алдыңғы жүріс) басып ұстап тұрыңыз. (⇒ 11.8)
Қопсытқыш жұлдызшалар айнала бастайды, қазуды бастауға болады.

- Жұмыс істеп болғаннан кейін қозғалғыш механизмінің жетегін ажыратыңыз (⇒ 11.8), қозғалтқышты өшіріңіз (⇒ 11.7) және құрылғыны тазалаңыз (⇒ 12.2).

12. Техникалық қызмет көрсету



Жарақат алу қаупі бар!

Бұйымға қызмет көрсететін немесе тазартатын барлық жұмыстарды өткізер алдында, «Сіздің денсаулығыңыз туралы» (⇒ 4.), әсіресе «Қызмет көрсету және жөндеу» (⇒ 4.7) бөлімін оқып, барлық қауіпсіздік талаптарын сақтау керек.



Техникалық қызмет көрсету жұмыстарын орындаудан және тазалайтын

жұмыстарды орындаудан бұрын тұтандыру білтелерінің түйіспе ұштарын алып тастаңыз!

12.1 Қопсытқыш жұлдызшаларды орнату



Егер трансмиссия корпусы жанындағы шплинт түсіп қалса, өсімдіктерді қорғау дискісімен бірге фреза жинағы жетек білігінен ұшып кетуі мүмкін. Қопсытқыш жұлдызшалардағы монтаж жұмыстары кезінде «Қопсытқыш жұлдызшаларды монтаждау» (⇒ 7.7), (⇒ 7.8) және «Қопсытқыш жұлдызшалардың амалдары» (⇒ 10.3) тарауындағы нұсқауларды орындаңыз.

- Құрылғыны (қозғалтқыш, трансмиссия) толығымен суытыңыз.
- Мотокультиваторды тазалау позициясына келтіріңіз. (⇒ 12.2)
- Өсімдіктерді қорғауға арналған дискіні бөлшектеу: Шплинттің (1) сақтандырғыш қапсырмасын ашып, шплинтті тартыңыз. Өсімдіктерді қорғауға арналған дискіні (2) шешіңіз.
- Қопсытқыш жұлдызшаларды бөлшектеу: Шплинттің (3) сақтандырғыш қапсырмасын ашып, шплинтті тартыңыз. Қопсытқыш жұлдызшалардың барлығын (4) шешіңіз.
- Сақтандырғыш шығыршықты (5) шешіңіз де қауіпсіз жерге сақтауға қойыңыз – жоғалтып алмаңыз!

12.2 Құрылғыны тазалау



Техникалық қызмет көрсету аралығы: Әр қолданған соң

- Әр пайдаланғаннан кейін бүкіл құрылғыны мұқият тазалап шығу керек. Жақсы күтім құрылғыны зақымдалудан қорғайды және қолдану мерзімін ұзартады.
- Тазалау алдында құрылғыны толықтай суытыңыз, от алдыру білтесі сымының штекерін суырып тастаңыз және беріліс қорабымен және қопсытатын жұлдызшалармен жұмыс істеген кезде ұзын жеңді киім мен жұмыс қолғаптарын киіңіз.

Тазалау позициясы:



Құрылғының зақымдалуына жол бермеңіз!


Қозғауыш кішкентай кетпенді көрсетілген күйде тек қысқа мерзім ішінде ұстауға болады (тазалау және техникалық қызмет көрсету кезінде). Сақтау барысында құрылғы тік тұруы тиіс.

- Тасымалдауға арналған доңғалақтарды шығарыңыз. (⇒ 11.4)
- Бас тұтқаның жоғарғы бөлігін ең жоғарғы позицияға қойыңыз. (⇒ 11.2)
- Қозғауыш кішкентай кетпенді тегіс және қатты жерге апарыңыз.
- Бас тұтқа жерге тиетіндей етіп, құрылғыны артқа аударыңыз.

Тазалау жөніндегі нұсқаулар:

- Жиналған балшық пен органикалық қалдықтарды қылшақпен, ылғалды матамен немесе дөңбекпен тазалаңыз – қатқыл тазалайтын құралдарды пайдаланбаңыз. STIHL компаниясы арнай тазалағыш құралдарды пайдалануға кеңес береді (мысалы, STIHL тазартқыш құралы).
- Ешқашан суды бас тұтқаға, іштен жанатын қозғалтқыштың бөліктеріне, тығыздауыштар мен мойынтірек орнатылған жерлерге бағыттамаңыз. Бұл қымбат жөндеу қажеттілігін тудырады.

- **Іштен жанатын қозғалтқыш:**
Іштен жанатын қозғалтқыштың дұрыс суытылуын қамтамасыз ету үшін, суыту қабырғаларын, желдеткіш қалқаншаларын, ауа сүзгісінің маңындағы кеңістікті және т.б. жиналып қалған балшықтан тазалаңыз.
- **Беру былғары қаптамасын, трансмиссия корпусын және жұмыс құралын** сумен немесе жоғары қысымды тазалағыш құралмен тазалауға болады.

-  **Құрылғының зақымдалуына жол бермеңіз!**
Жоғары қысымды тазалағыш құралды пайдаланған кезде **кем дегенде 1 м** арақашықтықты сақтаңыз және суды еш уақытта мойынтіректерді орнатқан жерге, жетек білігі мен тығыздауыштарға – әсіресе трансмиссия корпусы мен қорғайтын қалқанша арасына бағыттамаңыз.


12.3 Іштей жанатын қозғалтқыш

Техникалық қызмет көрсету мерзімділігі:
Әр ретте қолданар алдында

Майдың деңгейін тексеріп тұрыңыз (қозғалтқышты пайдалану жөніндегі нұсқаулықты қараңыз).

Іштен жанатын қозғалтқышты пайдалану жөніндегі кез келген нұсқаулықтан Сіз таба алатын пайдалану және қызмет көрсету жөніндегі нұсқаулықтың талаптарын сақтаңыз.

12.4 Қызмет көрсету аралығы

-  **Құрылғының зақымдалуына жол бермеңіз!**
Беріліс қорабындағы техқызмет көрсету жөніндегі жұмыстарды тек қана делдал өткізуі керек.

Делдал тарапынан техникалық қызмет көрсету:
Жеке пайдаланушылар үшін жыл сайын

Қозғауыш кішкентай кетпенге делдал техникалық қызмет көрсетуі тиіс. STIHL компаниясы STIHL делдалдарын ұсынады.

Пайдаланушы тарапынан техникалық қызмет көрсету:

- **Әрбір пайдаланудан бұрын**
Мотор майының деңгейін тексеру (іштен жанатын қозғалтқыштың пайдалану жөніндегі нұсқаулығын қараңыз)
- **Әр қолданған соң**
Құрылғыны тазалаңыз. (⇒ 12.2)

12.5 Сақтау және қолданыстан шығару (қысқы уақытта)



Қозғауыш кішкентай кетпенді қалыпты күйде сақтаңыз (тасымалдауға арналған доңғалақтар ажыратылған). Сақтауда орын үнемдеу үшін бас тұтқаны көрсетілгендей алға түсіріңіз.



Аударылып кету қаупі бар!
Қопсытатын жұлдызша қолайсыз позицияда орналасқан кезде қозғауыш кішкентай кетпен артқа аударылып кетуі мүмкін. Сондықтан қозғауыш кішкентай кетпеннің қауіпсіз күйін әрдайым қадағалап тұрыңыз. Қажет болса, алдыңғы бөлігіне түсетін ауырлықты азайту үшін қопсытатын жұлдызшаларды аздап бұраңыз. Сондай-ақ, қозғауыш кішкентай кетпенді сақтау кезінде ауыстыруға арналған тұтқа жағынан тіреуге болады.

Құрылғыны құрғақ, жабық ері шаңнан қорғалған жерде сақтаңыз. Құрылғының балалардың қолы жетпейтін жерде орналасқандығына көз жеткізіңіз.

Сақтауға қоюдан бұрын барлық ақаулар әрдайым жойылуы керек. Құрылғы әрдайым пайдалануға қауіпсіз күйде болуға тиіс. Барлық гайкаларды, болттарды және бұрандаларды берік бұрап бекітіңіз, құрылғыдағы анық емес қауіп және ескерту нұсқауларын ауыстырыңыз, машинада тозған және зақымдалған жерлердің бар-жоғын толығымен тексеріңіз. Тозған және зақымдалған бөлшектерін ауыстырыңыз.

Құрылғыны ұзақ мерзімге қолданыстан шығарған кезде (қысқы уақытта) төмендегілерге қосымша назар аударыңыз:

- Құрылғының барлық сыртқы бөлшектерін мұқият тазалап шығыңыз.
- Отын бағын және карбюраторды босатыңыз.

- Барлық қозғалатын бөлшектерге май не жағармай жағыңыз.
- От алдыру білтесін бұрап алыңыз (іштен жанатын қозғалтқышты пайдалану жөніндегі нұсқаулықты қараңыз) және шамамен 3 см³ мотор майын от алдыру білтесінің ұяшығы арқылы іштен жанатын қозғалтқышқа құйыңыз. Іштен жанатын қозғалтқышты от алдыру білтесінсіз бірнеше рет бұраңыз (стартер арқанынан тарту арқылы).



Өрт қаупі бар!

Тұтану қаупіне байланысты от алдыру білтесі сымының штекерін от алдыру білтесінің ұяшығынан алшақ ұстаңыз.

- От алдыру білтесін қайтадан бұрап бекітіңіз (іштен жанатын қозғалтқышты пайдалану жөніндегі нұсқаулықты қараңыз).
- Майды ауыстырыңыз (іштен жанатын қозғалтқышты пайдалану жөніндегі нұсқаулықты қараңыз).
- Іштен жанатын қозғалтқышты ашыңыз және құрылғыны қалыпты күйде сақтаңыз.

13. Тасымалдау

13.1 Қозғауыш кішкентай кетпенді тасымалдау



Жарақат алу қаупі бар!

«Қауіпсіздік техникасы» бөліміндегі қауіпсіздік нұсқауларын орындаңыз (⇒ 4.), әсіресе «Тасымалдау» тарауында (⇒ 4.4). Тасымалдаудың алдында іштен жанатын қозғалтқышты тоқтатыңыз, от алдыру білтесі сымының штекерін ажыратыңыз және тиісті қорғаныс киімін (қорғаушы аяқ киімді, қолғаптарды, ұзын жеңді комбинезонды және шалбар) киіңіз.

Салмаққа назар аударыңыз! (⇒ 18.)

1 Қозғауыш кішкентай кетпенді сүйреу немесе итеру:

- Шектегішті ең биік күйіне қойыңыз. (⇒ 11.5)
- Тасымалдауға арналған доңғалақтарды шығарыңыз. (⇒ 11.4)
- Қозғауыш кішкентай екі тұтқасынан (1) ұстаңыз және құрылғы тасымалдауға арналған доңғалақтардың үстінде тұрмағанша оны артқа шалқайтыңыз.

- Қозғауыш кішкентай кетпенді (жүріс жылдамдығымен) сүйреңіз немесе итеріңіз.

Тегіс жерлерде құрылғыны алға салып итеру керек, ал ойлы жерлерде – сүйреу керек.



Жарақат алу қаупі бар!

Құрылғының ауыр салмағына орай баспалдақтарда, ойлы жерлер мен басқа төбелерде өте сақ болу қажет.

Құрылғыны басқара алмаған жағдайда құлап қалмауы үшін, пайдаланушы үнемі құрылғыдан жоғары болуы тиіс, яғни жоғары көтергенде құрылғыны сүйрегені дұрыс, ал төмен түскен кезде итерген жөн.

Құрылғыны ең көбі 2-3 сатыдан сүйреңіз не итеріңіз. Сатылар көп болған жағдайда, қозғауыш кішкентай кетпенді екі адамның көмегімен тасымалдаңыз.

2 Қозғауыш кішкентай кетпенді көтеру немесе тасу:

- Бас тұтқаның жоғарғы бөлігінің берік бекітілгендігін қадағалаңыз.
 - Қозғауыш кішкентай кетпенді кемінде екі адамның көмегімен көтеріңіз немесе тасымалдаңыз және қопсытатын жұлдызшаға дейін жеткілікті қашықтық бар екенін үнемі тексеріп тұрыңыз.
- Тұрақ орны:**
Тірек тұтқалар (1) және ауыстыруға арналған тұтқа (2)

3 Қозғауыш кішкентай кетпенді жүк тиеу алаңында тасымалдау:

- Қозғауыш кішкентай кетпенді тек **тік күйде** – тасымалдауға арналған доңғалақтармен және қопсытатын жұлдызшалармен тасымалдаңыз. Құрылғыны ешқашан бүйірімен қоймаңыз.
- Тұрақты болуы үшін тасымалдауға арналған доңғалақтарды шығарыңыз (⇒ 11.4) және қопсытатын жұлдызшаларды орнатыңыз (⇒ 7.7), (⇒ 7.8).
- Қозғауыш кішкентай кетпеннің жылжуын болдырмау үшін оны арқандардың немесе белдіктердің көмегімен жүк тиеу алаңына бекітіңіз.
Бекіту нүктелері:
Тасымалдауға арналған доңғалақтардың білігі (3) және қопсытатын жұлдызшалардың білігі (4).

14. Қоршаған ортаны қорғау



Қаптама, құрылғы және керек-жарақтар кәдеге жаратылатын материалдардан өндіріліп, тиісті тұрпатта кәдеге жаратылуы қажет.

Материалдың қалдықтарын бөлшектеп, экологиялық рұқсат етілген түрде пайдаға асырғанның арқасында, осы үшін жарамды қалдықтарды екінші рет қолдану мүмкін болады. Осы себеппен, әдеттегі қызмет ету мерзімі өткеннен кейін, құрал, өңделгеннен кейін қайтара қолданыла алатын қалдықтардың жиналатын орнына жіберіледі.

14.1 Пайдаға асыру

Ескі майды (мотор майы, трансмиссия майы) және жағармайды кәсіби түрде жоюды орындаңыз.

Жоюдан бұрын қозғалтқышты жұмыс істемейтін күйге келтіріңіз. Бұл үшін оталдыру кабелін ажыратып, бактегі жағармайды және мотор майын төгіңіз.

Қопсытқыш жұлдызшалармен жарақаттану қаупі бар!

Жарамсыз болып қалған бақша мотокультиваторын да ешқашан қараусыз қалдырмаңыз. Құрылғы мен қопсытқыш жұлдызшалар балалардың қолы жетпейтін жерде екеніне көз жеткізіңіз.

15. Тозу дәрежесін барынша азайту және зақымдардан қорғау

Техникалық қызмет көрсету туралы маңызды ақпарат

Бензинді қозғауыш кішкентай кетпендер (STIHL MH)

Пайдалану жөніндегі нұсқаулықтың талаптарын сақтамау нәтижесінде, әсіресе қолдану мен қызмет көрсету қауіпсіздігіне немесе рұқсат етілмеген құрамдас бөліктерді немесе қосалқы бөлшектерді қолдану нәтижесінде пайда болған кез келген материалдық залал немесе жарақаттану үшін STIHL компаниясы жауапкершілік тартпайды.

STIHL құрылғысының зақымдарын немесе шамадан тыс тозуын болдырмау үшін міндетті түрде мына маңызды нұсқауларды орындаңыз:

1. Тозатын бөлшектер

STIHL құрылғысының кейбір бөлшектері мақсатына сай пайдаланылған кезде де қалыпты тозуға тап болады және оларды пайдалану түрі мен ұзақтығына қарай уақыт өте келе ауыстыру керек.

Оларға мыналар жатады :

- Сына төрізді қайыстар
- Қопсытқыш жұлдызша
- Тежегіш тірегі

2. Осы пайдалану жөніндегі нұсқаулықтың талаптарын орындау

STIHL құрылғысын пайдалану, сақтау және оған техникалық қызмет көрсету жұмыстарын осы пайдалану жөніндегі нұсқаулықтың талаптарына сай мұқият өткізу керек. Қауіпсіздік, пайдалану және техникалық қызмет көрсету нұсқауларын сақтамаудан пайда болған бүкіл шығындар үшін пайдаланушының өзі ғана жауапты болады.

Атап айтқанда, бұл мыналарға қатысты:

- өнімнің мақсатына сай қолданылмауы.
- STIHL компаниясы мақұлдамаған өндірістік материалдардың пайдаланылуы (майлағыш материалдар, бензин және мотор майы, іштен жанатын қозғалтқыштың пайдалану жөніндегі нұсқаулығын қараңыз).
- өнімге STIHL компаниясы рұқсат етпеген өзгерістер енгізу.
- STIHL қамтамасыз етпеген аспа бөлшектерді, аспа құрылғыларды немесе кескіш құралдарды пайдалану.
- өнімді спорттық немесе конкурстық іс-шараларда қолдану.

- Бөлшектері ақаулы өнімді пайдаланудан болатын зақымдар.

3. Техникалық қызмет көрсету жөніндегі жұмыстар

«Техникалық қызмет көрсету» бөлімінде көрсетілген барлық жұмыстар тұрақты түрде жүзеге асырылуы тиіс.

Техникалық қызмет көрсету жөніндегі осы жұмыстарды пайдаланушы өз бетімен өткізе алмаған жағдайда делдалға хабарласу керек.

STIHL компаниясы техникалық қызмет көрсету жөніндегі жұмыстарды және жөндеуді орындау үшін тек қана STIHL делдалдарына жүгінуді ұсынады.

STIHL делдалдары тұрақты түрде оқытуды ұсынады және техникалық ақпаратты қамтамасыз етеді.

Осы жұмыстар өткізілмеген жағдайда пайдаланушыны жауапкершілікке тартатын зақымдар пайда болуы мүмкін.

Оларға мыналар жатады:

- тоттануға және дұрыс сақтамауға байланысты басқа да зақымдары.
- сапасыз қосалқы бөлшектерді қолдануға байланысты сынған жерлері.
- уақытында өткізілмеген немесе жеткіліксіз түрде өткізілген техникалық қызметтен туындаған не болмаса біліксіз тұлғалар тарапынан өткізілетін сервистік және жөндеу жұмыстарының кезінде пайда болған зақымдар.

16. Басқа да қосалқы бөлшектер

Бекіткіш қапсырмасы бар шплинт (қопсытатын жұлдызша):
9396 021 3785

МН 445, МН 445 R

Сол жақ ішкі кетпен жиынтығы:
6241 710 0200

Оң жақ ішкі кетпен жиынтығы:
6241 710 0205

Сол жақ сыртқы кетпен жиынтығы:
6241 710 0210

Оң жақ сыртқы кетпен жиынтығы:
6241 710 0215

МН 560, МН 585, МН 685

Сол жақ ішкі кетпен жиынтығы:
6241 710 0220

Оң жақ ішкі кетпен жиынтығы:
6241 710 0225

МН 585, МН 685

Сол жақ сыртқы кетпен жиынтығы:
6242 710 0210

Оң жақ сыртқы кетпен жиынтығы:
6242 710 0215

17. ЕО талаптарына сәйкестік туралы декларация

17.1 STIHL МН 445.0, МН 445.0 R, МН 560.0, МН 585.0, МН 685.0 мотоблогы

STIHL Tirol GmbH
Hans Peter Stihl-Straße 5
6336 Langkampfen
Österreich (Аустрия)

төмендегіні толық жауапкершілікпен жариялайды:

- Конструкция: Мотоблок
- Фабрика таңбасы: STIHL
- Түрі: МН 445.0, МН 445.0 R, МН 560.0, МН 585.0, МН 685.0

– Сериялық нөмір: 6241

2000/14/EC, 2006/42/EC, 2014/30/EU және 2011/65/EU директиваларының тиісті талаптарына сәйкес келеді және төмендегі стандарттардың өндірілген күнінде жарамды болған нұсқаларына сәйкес әзірленіп өндірілді: EN 709 және EN 14982 (қолданылуына қарай).

Өкілетті органның атауы мен мекенжайы:
TÜV Rheinland LGA Products GmbH
Tillystraße 2
D-90431 Nürnberg (Нюрнберг)

Есептелген және кепілді дыбыстық қуат деңгейінің көрсеткіштері 2000/14/EC директивасының VIII қосымшасына сәйкес анықталды.

МН 445.0, МН 445.0 R

- Өлшенген дыбыстық қуат деңгейі: 92 dB(A)
- Кепілді дыбыстық қуат деңгейі: 93 dB(A)

МН 560.0, МН 585.0

- Өлшенген дыбыстық қуат деңгейі: 91,3 dB(A)
- Кепілді дыбыстық қуат деңгейі: 93 dB(A)

МН 685.0

- Өлшенген дыбыстық қуат деңгейі: 92,4 dB(A)

– Кепілді дыбыстық қуат деңгейі:
93 dB(A)

Техникалық құжаттар STIHL Tirol GmbH компаниясының өнімді мақұлдау күелігінде сақталған.

Өндірілген жылы мен машина нөмірі мотоблокта көрсетілген.

Langkampfen, 02.11.2020

STIHL Tirol GmbH

м.а.

Матиас Флейшер, зерттеу және өнімдерді әзірлеу бөлімінің бастығы

м.а.

Свен Циммерман, сапаны бақылау бөлімінің бастығы

17.2 Сәйкестік белгісі



Кеден одағының техникалық нормалары мен талаптарының сақталуын растайтын ЕАС

сертификаттары және сәйкестік туралы өтініштер жөніндегі ақпарат, төменде

келтірілген, www.stihl.ru/eac сондай-ақ STIHL компаниясының кез келген елдегі өкілдігінде қол жетімді.



Украинаның техникалық нормативтері мен талаптары орындалды.

17.3 Белгіленген қолданыс кезеңі

Толық белгіленген қызмет ету мерзімі 30 жылға дейінгі мерзімді құрайды.

Белгіленген қолданыс кезеңі уақытында, қолдану жөніндегі нұсқаулықтың талаптарына сәйкес тұрақты техникалық қызмет және күтім көрсетіледі.

17.4 STIHL штаб-пәтері

ANDREAS STIHL AG & Co. KG
Badstrasse 115
71336 Вайблинген
Германия

17.5 STIHL еншілес кәсіпорындары

РЕСЕЙ ФЕДЕРАЦИЯСЫ

«АНДРЕАС ШТИЛЬ МАРКЕТИНГ» ЖШҚ
Тамбовская-сі, 12 үй, В лит., 52-кеңсе
192007, Санкт-Петербург қ-сы, Ресей
Шұғыл желі: +7 800 4444 180
Эл. пошта: info@stihl.ru

УКРАИНА

«Андреас Штіль» ЖШҚ
Антонов к-сі, 10 үй, Чайки ауылы
08135, Киев обл., Украина
Телефон: +38 044 393-35-30
Факс: +380 044 393-35-70
Эл. пошта: info@stihl.ua
www.stihl.ua
Шұғыл желі: +38 0800 501 930

17.6 STIHL өкілдіктері

БЕЛАРУСЬ

Өкілдік
ANDREAS STIHL AG & Co. KG
К. Цеткин к-сі, 51-11а
220004, Минск қ-сы, Беларусь
Шұғыл желі: +375 17 200 23 76

ҚАЗАҚСТАН

Өкілдік
ANDREAS STIHL AG & Co. KG
Шагабутдинов к-сі, 125А үй, 2-кеңсе
050026, Алматы қ-сы, Қазақстан
Шұғыл желі: +7 727 225 55 17

17.7 STIHL импорттаушылары

РЕСЕЙ ФЕДЕРАЦИЯСЫ

ООО «ШТИЛЬ ЗЮДВЕСТ»
350000, Российская Федерация,
г. Краснодар, ул. Западный обход, д.
36/1

ООО «ФЛАГМАН»
194292, Российская Федерация,
г. Санкт-Петербург, 3-ий Верхний
переулок, д. 16 литер А, помещение 38

ООО «ПРОГРЕСС»
107113, Российская Федерация,
г. Москва, ул. Маленковская, д. 32, стр.
2

ООО «АРНАУ»
236006, Российская Федерация,
г. Калининград, Московский проспект, д.
253, офис 4

ООО «ИНКОР»
610030, Российская Федерация,
г. Киров, ул. Павла Корчагина, д. 1Б

ООО «ОПТИМА»
620030, Российская Федерация,
г. Екатеринбург, ул. Карьерная д. 2,
Помещение 1

ООО «ТЕХНОТОРГ»
660112, Российская Федерация,
г. Красноярск, ул. Парашютная, д. 15

ООО «ЛЕСОТЕХНИКА»
664540, Российская Федерация,
с. Хомутово, ул. Чапаева, д. 1, оф. 39

УКРАИНА

ТОВ «Андреас Штіль»
вул. Антонова 10, с. Чайки
08135 Київська обл., Україна

БЕЛАРУСЬ

ООО «ПИЛАКОС»
ул. Тимирязева 121/4 офис 6
220020 Минск, Беларусь

УП «Беллесэкспорт»
ул. Скрыганова 6.403
220073 Минск, Беларусь

ҚАЗАҚСТАН

ИП «ВОРОНИНА Д.И.»
пр. Райымбека 312
050005 Алматы, Казахстан

ҚЫРҒЫЗСТАН

ОсОО «Муза»
ул. Киевская 107
720001 Бишкек, Киргизия

АРМЕНИЯ

ООО «ЮНИТУЛЗ»
ул. Г. Парпеци 22
0002 Ереван, Армения

18. Техникалық деректер

МН 445.0 / МН 445.0 R / МН 560.0 / МН 585.0 / МН 685.0

Сериялық идентификация	6241
Іштен жанатын қозғалтқыш, құрылымы	4 тактілі іштен жанатын қозғалтқыш
Іске қосу құрылғысы	Сымды іске қосу

2000/14/ЕС директивасына сәйкес:

Кепілді шуыл деңгейі $L_{WA,d}$	93 dB(A)
------------------------------------	----------

МН 445.0 / МН 445.0 R

Қозғалтқыштың түрі	B&S Series 550 EX OHV RS
--------------------	-----------------------------

МН 445.0 / МН 445.0 R

Жұмыс көлемі	140 текше см
Айналымның кесімді санындағы кесімді қуат	2,2 - 3100 кВт - айн/мин
Жанармай бағы	0,8 л
Құралдар	4 жыртушы элемент, 2 өсімдіктерге арналған қорғау дискісі

Кетпен диаметрі	30 см
Айналуы тексеру жылдамдығындағы кетпеннің жұмыс жылдамдығы	124 айн/мин

Айналуы тексеру жылдамдығы	3100 айн/мин
-------------------------------	--------------

2006/42/ЕС директивасына сәйкес:

Жұмыс орнындағы шуыл деңгейі L_{pA}	80 dB(A)
Ауытқу K_{pA}	2 dB(A)

EN 12096 бойынша белгіленген діріл
коэффициенті:

Өлшенген мән a_{rw}	5,50 м/с ²
Ауытқу K_{rw}	2,20 м/с ²

EN 20643 бойынша өлшем

Іске қосу МН 445.0	1-беріліс алға
Іске қосу МН 445.0 R	1-беріліс алға 1-беріліс артқа
Салмағы	36 кг / 37 кг

МН 560.0/ МН 585.0

Қозғалтқыштың түрі	Kohler HD675
Жұмыс көлемі	149 текше см
Айналымның кесімді санындағы кесімді қуат	2,3 - 3000 кВт - айн/мин
Жанармай бағы	1,4 л

МН 560.0/ МН 585.0

Құралдар МН 560.0

2 жыртушы элемент, 2 өсімдіктерге арналған қорғау дискісі

Құралдар МН 585.0

4 жыртушы элемент, 2 өсімдіктерге арналған қорғау дискісі

Кетпен диаметрі

32 см

Айналуды тексеру жылдамдығындағы кетпеннің жұмыс жылдамдығы

120 айн/мин

Айналуды тексеру жылдамдығы

3000 айн/мин

2006/42/ЕС директивасына сәйкес:

Жұмыс орнындағы шуыл деңгейі L_{pA}

79 dB(A)

Ауытқу K_{pA}

2 dB(A)

EN 12096 бойынша белгіленген діріл коэффициенті:

Өлшенген мән a_{hw} 5,00 м/с²Ауытқу K_{hw} 2,50 м/с²

EN 20643 бойынша өлшем

Іске қосу

1-беріліс алға
1-беріліс артқа

Салмағы

41 кг / 44 кг

МН 685.0

Қозғалтқыштың түрі

Kohler HD775

Жұмыс көлемі

173 текше см

Айналымның

кесімді санындағы

2,9 - 3200

кесімді қуат

кВт - айн/мин

Жанармай бағы

1,4 л

МН 685.0

Құралдар

4 жыртушы элемент, 2 өсімдіктерге арналған қорғау дискісі

32 см

128 айн/мин

Кетпен диаметрі

Айналуды тексеру жылдамдығындағы кетпеннің жұмыс жылдамдығы

Айналуды тексеру жылдамдығы

3200 айн/мин

2006/42/ЕС директивасына сәйкес:

Жұмыс орнындағы шуыл деңгейі L_{pA}

80 dB(A)

Ауытқу K_{pA}

2 dB(A)

EN 12096 бойынша белгіленген діріл коэффициенті:

Өлшенген мән a_{hw} 6,00 м/с²Ауытқу K_{hw} 2,40 м/с²

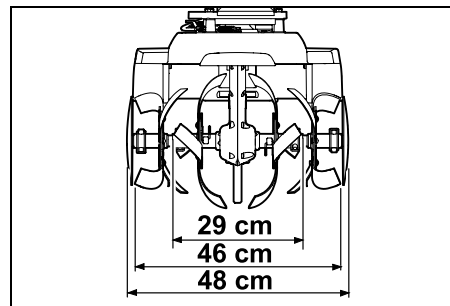
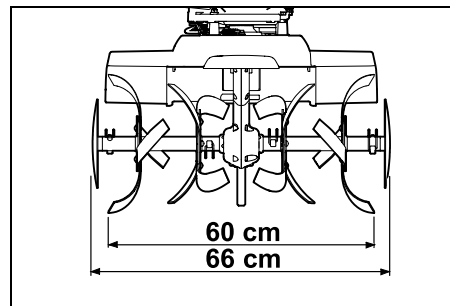
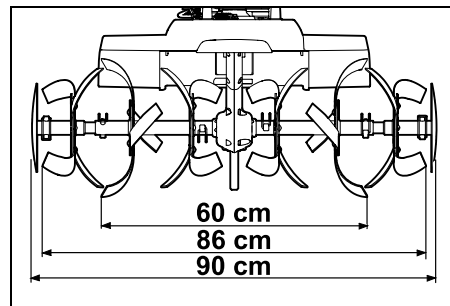
EN 20643 бойынша өлшем

Іске қосу

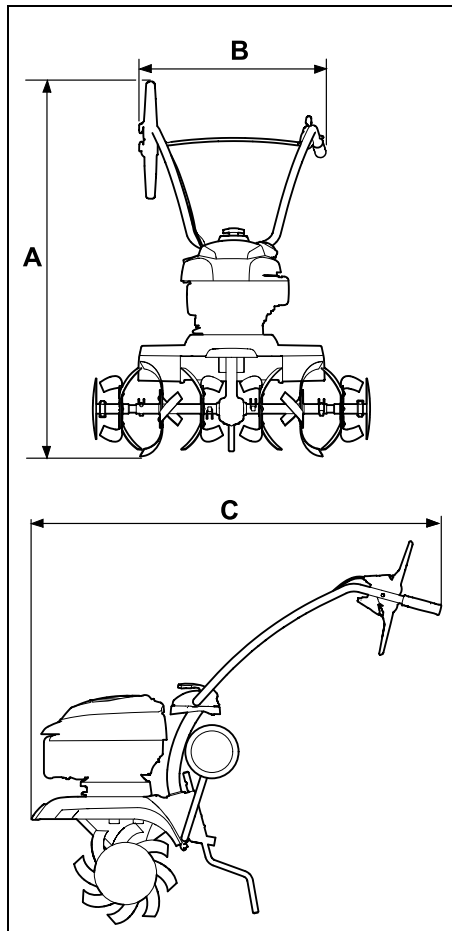
1-беріліс алға
1-беріліс артқа

Салмағы

46 кг

МН 445.0, МН 445.0 R:**МН 560.0:****МН 585.0, МН 685.0:**

**MH 445.0, MH 445.0 R, MH 560.0,
MH 585.0, MH 685.0:**



MH 445.0, MH 445.0 R:

A = 118 см

B = 57 см

C = 122 см

MH 560.0, MH 585.0, MH 685.0:

A = 119 см

B = 57 см

C = 122 см

18.1 REACH

REACH химиялық заттарды тіркеу, бағалау және өкілдендіру туралы EC реттеуін білдіреді.

1907/2006 нөмірлі REACH Регламентін (EC) орындау туралы ақпарат www.stihl.com/reach сайтында берілген.

19. Ақаулықтарды іздеу

✘ Қажет болған кезде делдалға жүгініңіз, STIHL компаниясы STIHL делдалдарына жүгінуге кеңес береді.

📖 Іштен жанатын қозғалтқышты пайдалану жөніндегі нұсқаулықты қараңыз.

Ақаулықтар:

Қозғалтқыш тұтанбайды

Ықтимал себебі:

- Газ орнату тұтқасы «Стоп» күйінде
- Бөкте жанармай жоқ; жанармай жолы бітелген
- Бақтағы жанармай нашар, лас немесе ескі
- Тұтандыру білтесінің түйіспелі ұштығы суырылған, оталдыру сымы штекермен нашар байланысқан
- Оталдыру білтесі тоттанған немесе бұзылған; электродтардың арасындағы саңылау дұрыс орнатылмаған
- Ауа сүзгісі кірленген
- Көп рет іске қосу әрекеттерінен кейін ішкі жану қозғалтқышы «шаршаған»

Ақаулықтарды жою тәсілі:

- Газ беру тұтқасын «Іске қосу» күйіне ауыстырыңыз (⇒ 8.1)

- Еселеп жанармай құйыңыз (⇒ 7.15); Жанармай өткізгіштерін тазалаңыз (✘)
- Таңбалы жаңа жанармайды пайдаланыңыз (этилдендірілмеген бензин) (⇒ 7.15); Карбюраторды тазалаңыз (✘)
- Тұтандыру білтесінің түйіспелі ұштығын кіргізіңіз (📖); Оталдыру сымы мен штекер қалай қосылғанын тексеріңіз (✘)
- Оталдыру білтесін тазалаңыз немесе ауыстырыңыз (📖), (✘); Электродтар арасындағы саңылауды дұрыс орнатыңыз (✘)
- Ауа сүзгісін тазалаңыз немесе айырбастаңыз (✘)
- Оталдыру білтесін бұрап алыңыз және оны кептіріңіз, газ орнату тұтқасын «Стоп» күйіне ауыстырыңыз және оталдыру білтесі сөндірілуі тұрғанда стартер арқанынан бірнеше рет тартыңыз (📖)

Ақаулықтар:

Қозғалтқыш іске нашар қосылады немесе толық қуаттылығын өрбітпейді,

Ықтимал себебі:

- Жағармай багі мен карбюраторда су бар; карбюратор қоқысталған
- Жағармай багі қоқысталған
- Ауа сүзгісі кірленген
- Тұтандыру білтесін күйе қаптаған

Ақаулықтарды жою тәсілі:

- Жағармайды төгіңіз, жағармай құбырлары мен карбюраторды тазартыңыз (✘)
- Жағармай багін тазартыңыз (✘)
- Ауа сүзгісін тазалаңыз немесе айырбастаңыз (📖), (✘)
- Оталдыру білтесін тазалаңыз немесе ауыстырыңыз (📖), (✘)

Ақаулықтар:

Қозғалтқыш өте қатты қызады

Ықтимал себебі:

- Суытқыш қабырғаларды тазалаңыз
- Қозғалтқыштағы майдың деңгейі өте төмен.
- Қозғалтқышқа үстінен топырақ себілді.

Ақаулықтарды жою тәсілі:

- Суытқыш қабырғалар ластанған (⇒ 12.2)
- Мотор майын тағы құйыңыз (⇒ 7.15)
- Қозғалтқыштың үстіндегі топырақты сыпырып тастаңыз

Ақаулықтар:

Қозғалтқыш үздік-создық жұмыс істейді

Ықтимал себебі:

- Ауа сүзгісі кірленген

Ақаулықтарды жою тәсілі:

- Ауа сүзгісін тазалаңыз немесе айырбастаңыз (📖), (✖)

Ақаулықтар:

Қатты түтіндеу

Ықтимал себебі:

- Майдың тым жоғары деңгейі
- Ауа сүзгісі кірленген

Ақаулықтарды жою тәсілі:

- Құйылатын майдың мөлшерін реттеңіз (📖)
- Ауа сүзгісін тазалаңыз немесе айырбастаңыз (📖), (✖)

Ақаулықтар:

Жұмыс кезіндегі қатты діріл

Ықтимал себебі:

- Қозғалтқыштың бекіткіші босап кеткен

Ақаулықтарды жою тәсілі:

- Қозғалтқыштың бекіткіш бұрандаларын тартыңыз (✖)

Ақаулықтар:

Жұмыс қуаттылығы төмендеген

Ықтимал себебі:

- Қопсытқыш жұлдызшалардың дұрыс орнатылмауы
- Қопсытқыш жұлдызшалардың тозуы
- Кетпен өкше темірдің дұрыс бапталмауы

Ақаулықтарды жою тәсілі:

- Қопсытқыш жұлдызшаларды дұрыстап орнатыңыз (⇒ 7.7), (⇒ 7.8)
- Қопсытқыш жұлдызшаларды ауыстырыңыз (✖)
- Тежегіш тірегің реттеңіз (⇒ 11.5)

Ақаулықтар:

Жұмыс қуаттылығы жоқ

Ықтимал себебі:

- Жетек валында ілгегі бар шплинт жоқ

Ақаулықтарды жою тәсілі:

- Жетек білігіндегі қопсытқыш жұлдыздардың бекіткішін тексеріңіз (⇒ 7.7), (⇒ 7.8)

Ақаулықтар:

Жетектің жұмыс істеу кезіндегі қатты шу

Ықтимал себебі:

- Трансмиссиядағы майдың деңгейі дұрыс емес

Ақаулықтарды жою тәсілі:

- Трансмиссиядағы майдың деңгейін тексеріңіз (✖)

Ақаулықтар:

Жетек білігі қозғалғыш механизмі жетегінің тұтқышын қосқан кезде айналмайды

Ықтимал себебі:

- Арқан жетегінің ақаулығы
- Жетек қайыстары тозған

Ақаулықтарды жою тәсілі:

- Арқан жетегін тексеріңіз немесе ауыстырыңыз (✖)
- Қайыстарды ауыстырыңыз (✖)

20. Техникалық қызмет көрсету жоспары

20.1 Берілісті растау

Үлгі: _____

Серия нөмірі:

□	□	□	□	□	□	□	□	□
---	---	---	---	---	---	---	---	---

Күні: □ □ □ □ □ □ □ □



Келесі қызмет

Күні: □ □ □ □ □ □ □ □

20.2 Қызмет көрсетуді растау



Қызмет көрсету жұмыстарын өткізген кезде, пайдалану жөніндегі осы нұсқаулықты STIHL делдалыңызға беріңіз.

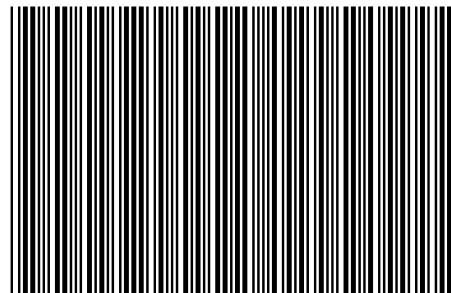
Ол алдын ала басылған өрістерде қызмет көрсету жұмыстарының өткізілуін растайды.

 Қызмет көрсету өткізілген күні

 Келесі қызмет көрсету күні

**STIHL MH 445, MH 445 R
MH 560, MH 585, MH 685**

STIHL



0478 403 9802 B

B

INT 2